



US00D646758S

(12) **United States Design Patent**
Gessi

(10) **Patent No.:** **US D646,758 S**
(45) **Date of Patent:** **** Oct. 11, 2011**

(54) **FAUCET**

(75) Inventor: **Gian Luca Gessi**, Borgosesia (IT)

(73) Assignee: **Gessi SpA** (IT)

(**) Term: **14 Years**

(21) Appl. No.: **29/388,072**

(22) Filed: **Mar. 23, 2011**

(30) **Foreign Application Priority Data**

Jun. 27, 2010 (IT) MI2010O0160

(51) **LOC (9) Cl.** **23-01**

(52) **U.S. Cl.** **D23/238**

(58) **Field of Classification Search** D23/238-243,
D23/250, 255; 4/675-678; 137/801

See application file for complete search history.

(56) **References Cited**

U.S. PATENT DOCUMENTS

D526,699 S * 8/2006 Kulig D23/238

D538,400 S * 3/2007 Miyamoto D23/241

* cited by examiner

Primary Examiner — Robert Delehanty

(74) *Attorney, Agent, or Firm* — Fish & Richardson P.C.

(57) **CLAIM**

The ornamental design for a faucet, substantially as shown and described.

DESCRIPTION

FIG. 1 is a perspective view of a faucet, showing my design.

FIG. 2 is a right side view of the faucet.

FIG. 3 is a left side view of the faucet.

FIG. 4 is a front view of the faucet.

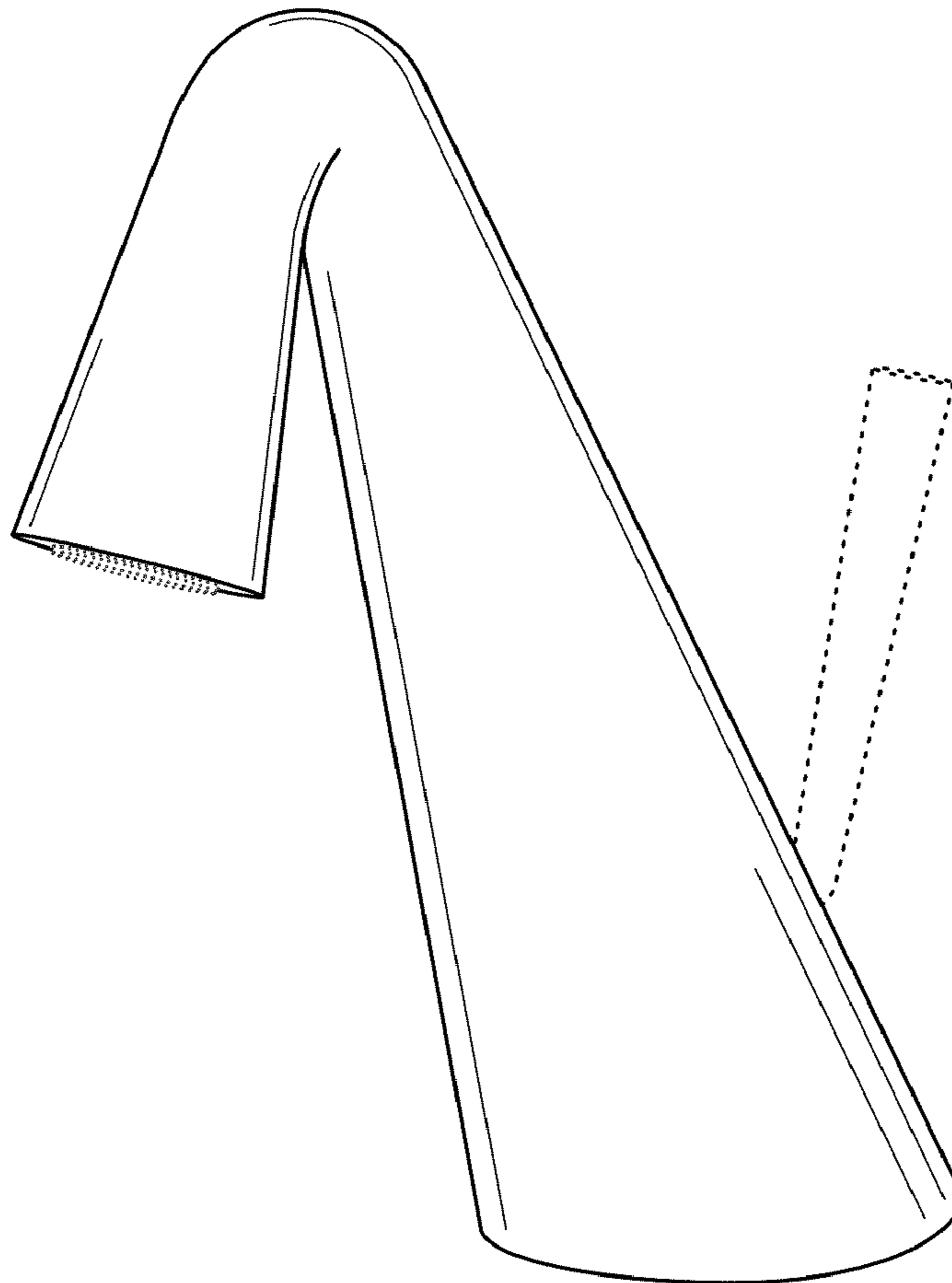
FIG. 5 is a back view of the faucet.

FIG. 6 is a top view of the faucet; and,

FIG. 7 is a bottom view of the faucet.

The broken lines which define the bounds of the claimed design form no part thereof.

1 Claim, 3 Drawing Sheets



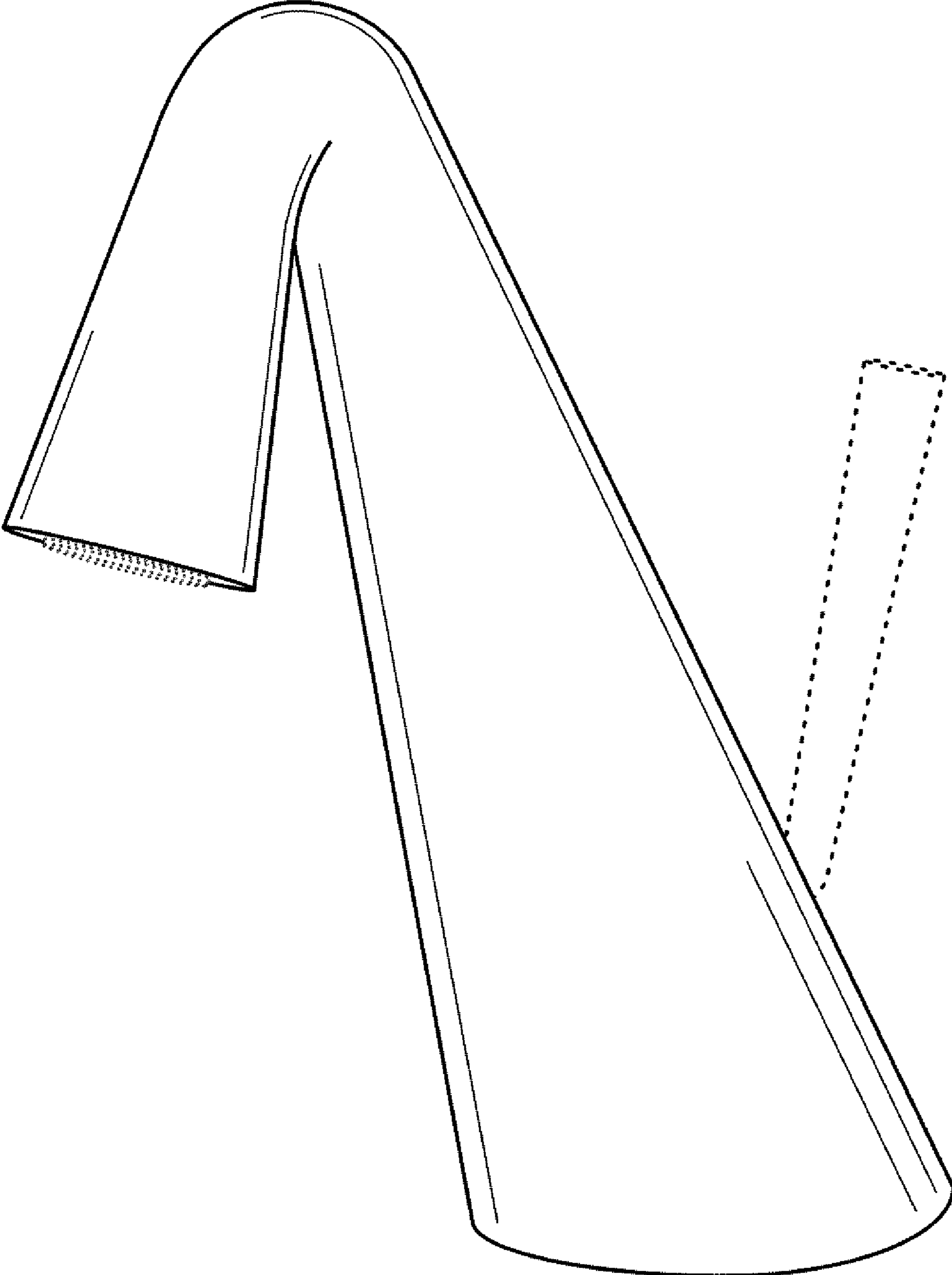


FIG. 1

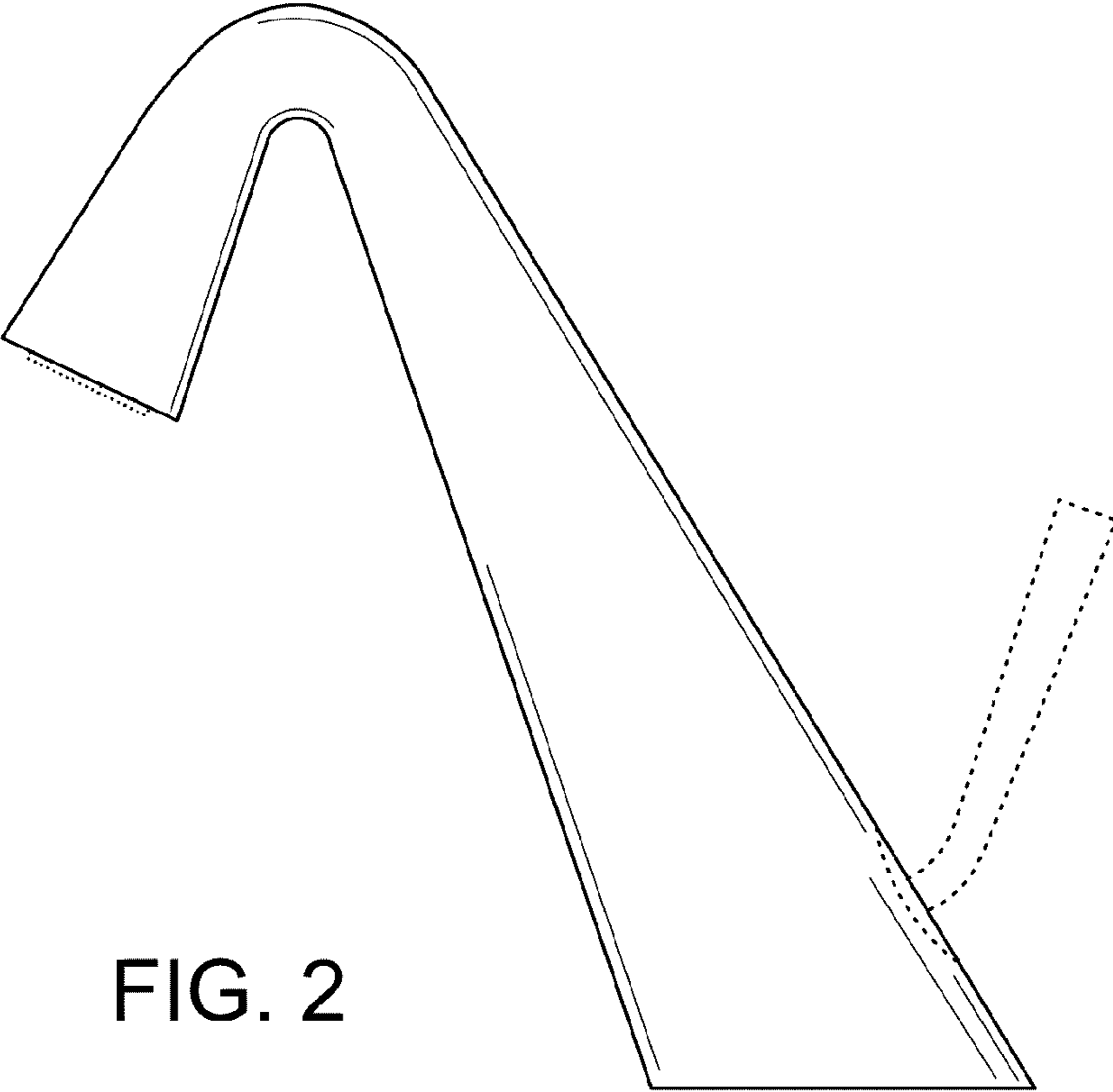


FIG. 2

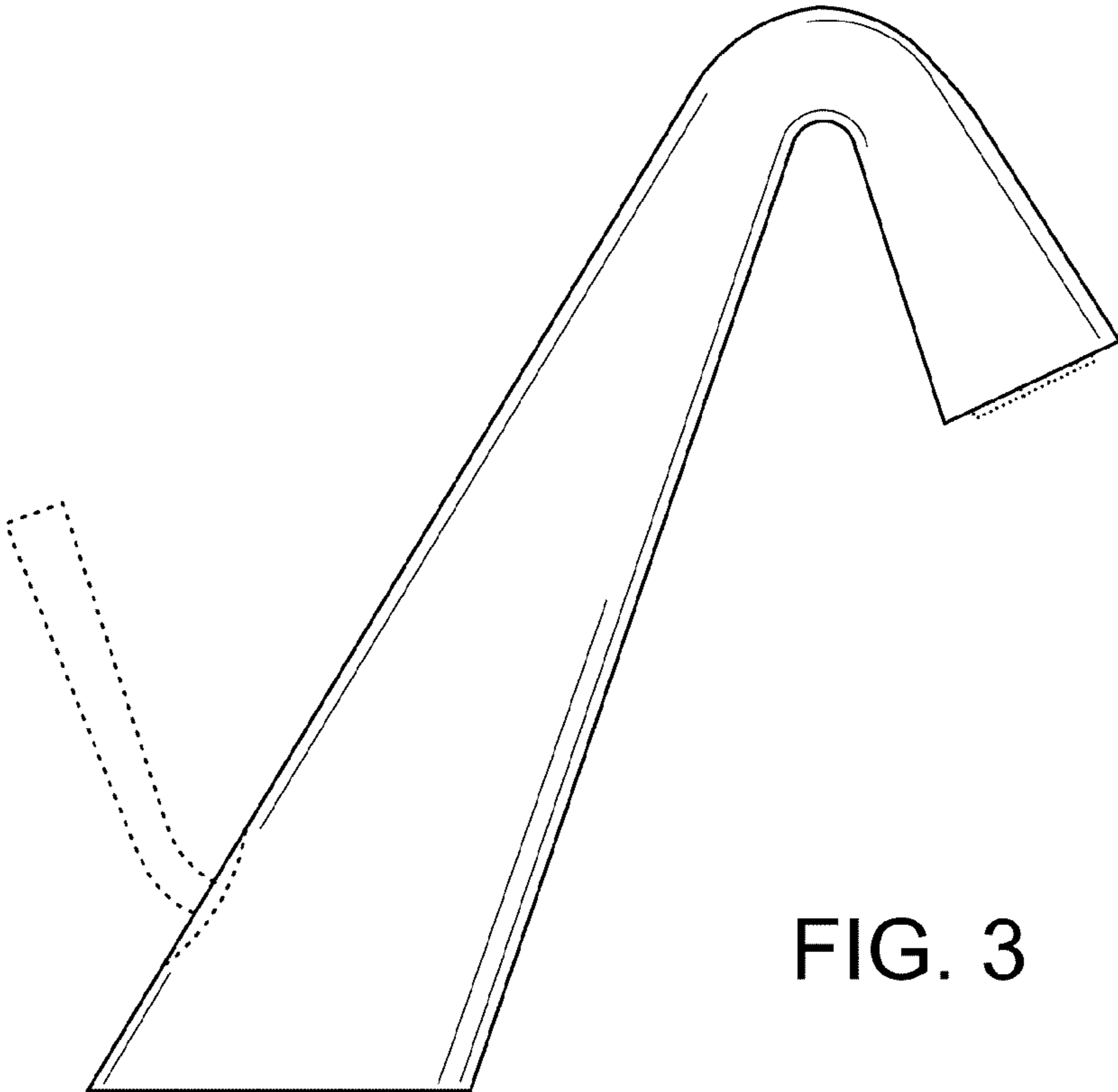


FIG. 3

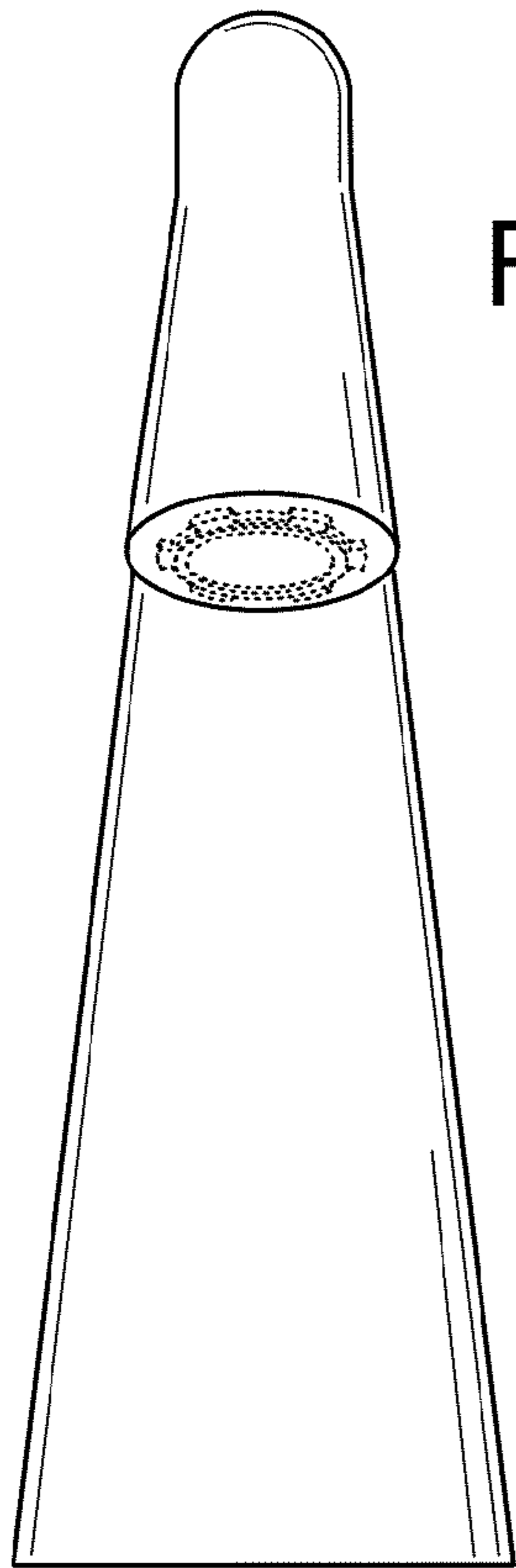


FIG. 4

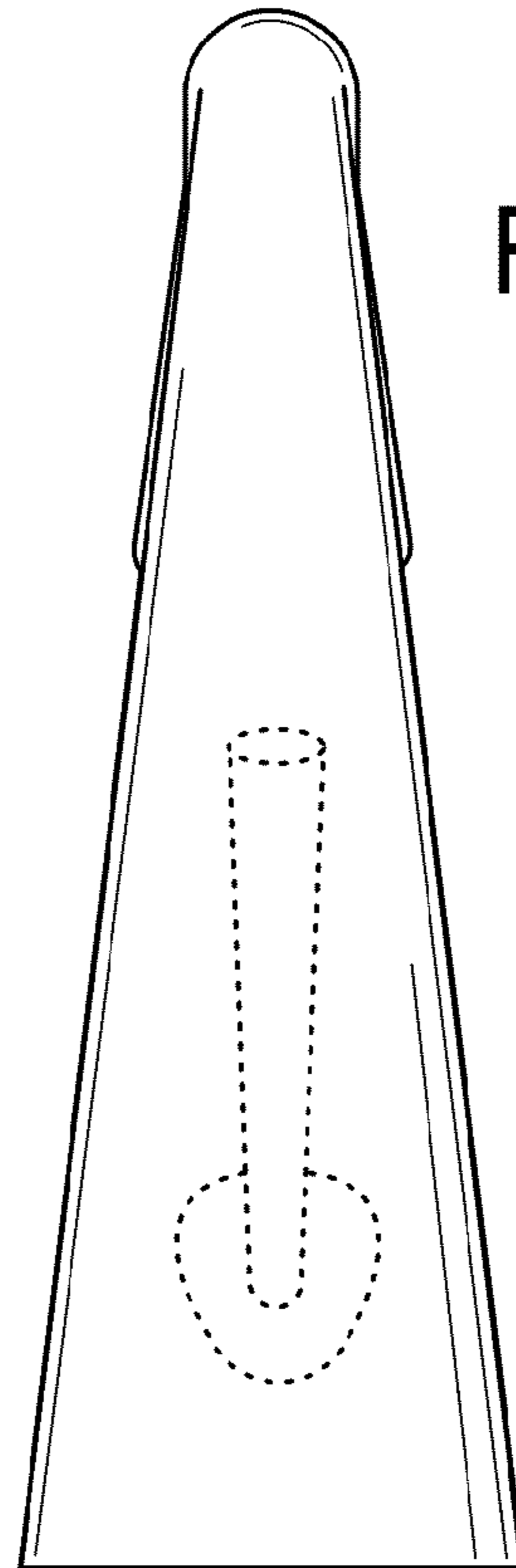


FIG. 5

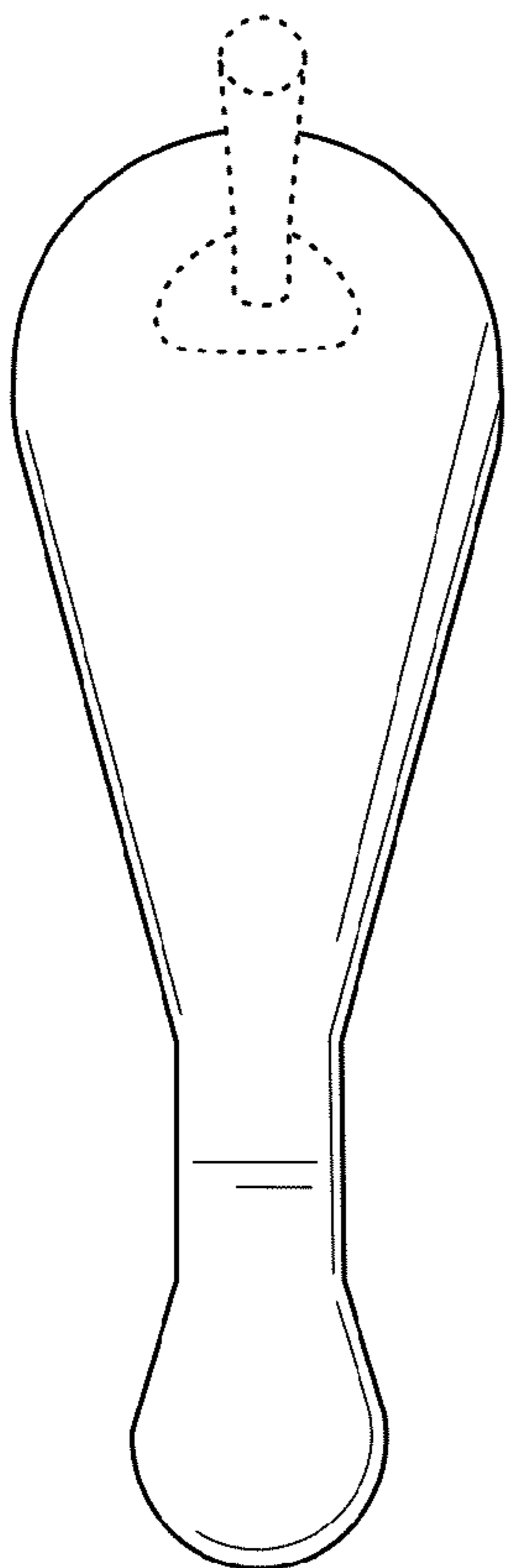


FIG. 6

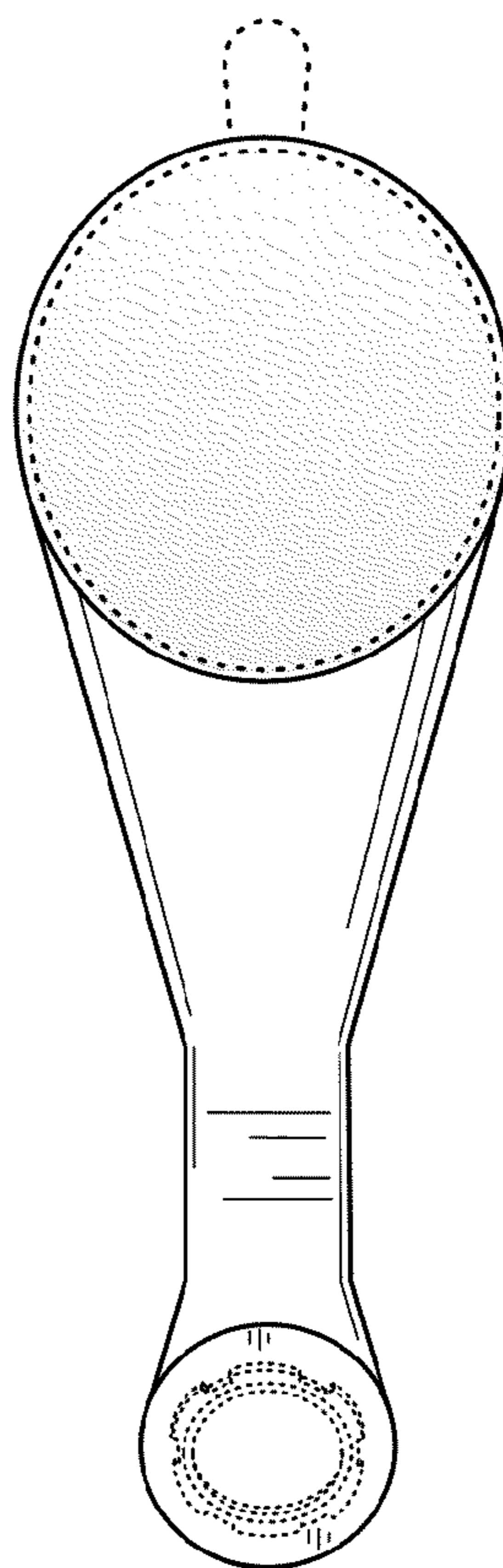


FIG. 7