



US00D646757S

(12) **United States Design Patent**
Gessi

(10) **Patent No.:** **US D646,757 S**
(45) **Date of Patent:** **** Oct. 11, 2011**

(54) **FAUCET**

(75) **Inventor:** **Gian Luca Gessi, Borgosesia (IT)**

(73) **Assignee:** **GESSI SpA (IT)**

(**) **Term:** **14 Years**

(21) **Appl. No.:** **29/388,071**

(22) **Filed:** **Mar. 23, 2011**

(30) **Foreign Application Priority Data**

Sep. 27, 2010 (IT) MI2010O00160

(51) **LOC (9) Cl.** **23-01**

(52) **U.S. Cl.** **D23/238**

(58) **Field of Classification Search** D23/238-243,
D23/250, 255; 4/675-678; 137/801

See application file for complete search history.

(56) **References Cited**

U.S. PATENT DOCUMENTS

D534,619 S *	1/2007	Garner	D23/238
D541,381 S *	4/2007	Haug et al.	D23/238
D541,906 S *	5/2007	Qing	D23/238
D573,231 S *	7/2008	Kulig	D23/242
D579,521 S *	10/2008	Kulig	D23/238
D625,778 S	10/2010	Sandee et al.		
D625,779 S	10/2010	Sandee et al.		
D636,463 S *	4/2011	Kulig	D23/238

FOREIGN PATENT DOCUMENTS

IT	0000087844	7/2003
IT	000725841-0026	5/2007
IT	0000093933	9/2008

OTHER PUBLICATIONS

Axor hansgrohe; The Collections; Axor Citterio; Lavabo; 2007; p. 62.
Sommariva Cersaie 2007; OJ 300 Wash basin mixer; 1 page.
St Rubinetterie 2007; Frau J.; 1 page.
OHIM The Trade Marks and Designs Registration Office of the European Union; OAMI Online RCD Online Design Consultation service RCD Information; <http://oami.europa.eu/RCDOnline/RequestManager>; Mar. 2, 2011; 28 pages.

* cited by examiner

Primary Examiner — Robert Delehanty

(74) *Attorney, Agent, or Firm* — Fish & Richardson P.C.

(57) **CLAIM**

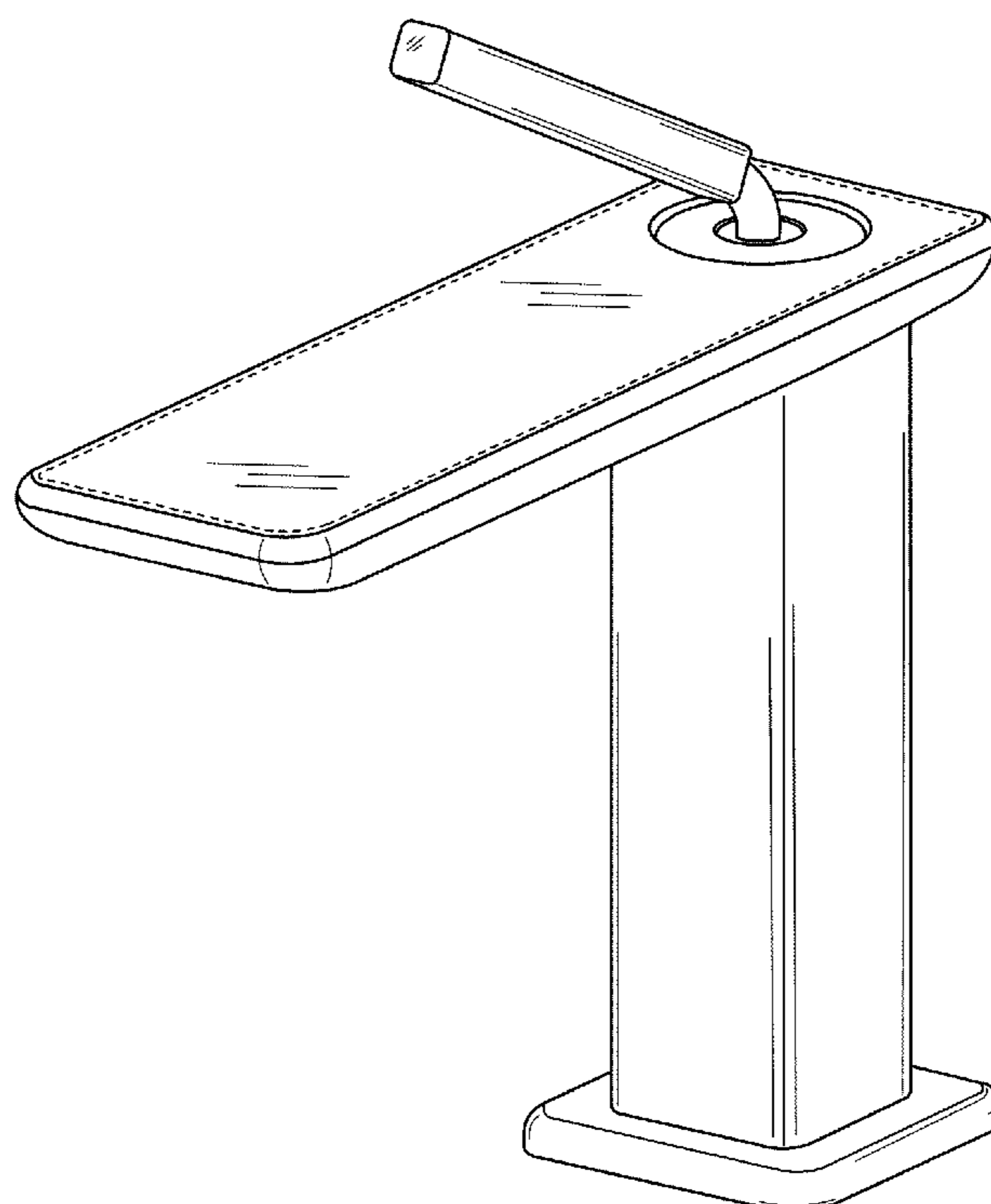
The ornamental design for a faucet, substantially as shown and described.

DESCRIPTION

FIG. 1 is a perspective view of a faucet, showing my design.
FIG. 2 is a left side view of the faucet.
FIG. 3 is a right side view of the faucet.
FIG. 4 is a front view of the faucet.
FIG. 5 is a back view of the faucet.
FIG. 6 is a top view of the faucet; and,
FIG. 7 is a bottom view of the faucet.

The broken line on the upper surface indicates an optional feature and does not form part of the claimed design. The broken lines visible in the bottom view define bounds of the claimed design and form no part thereof.

1 Claim, 4 Drawing Sheets



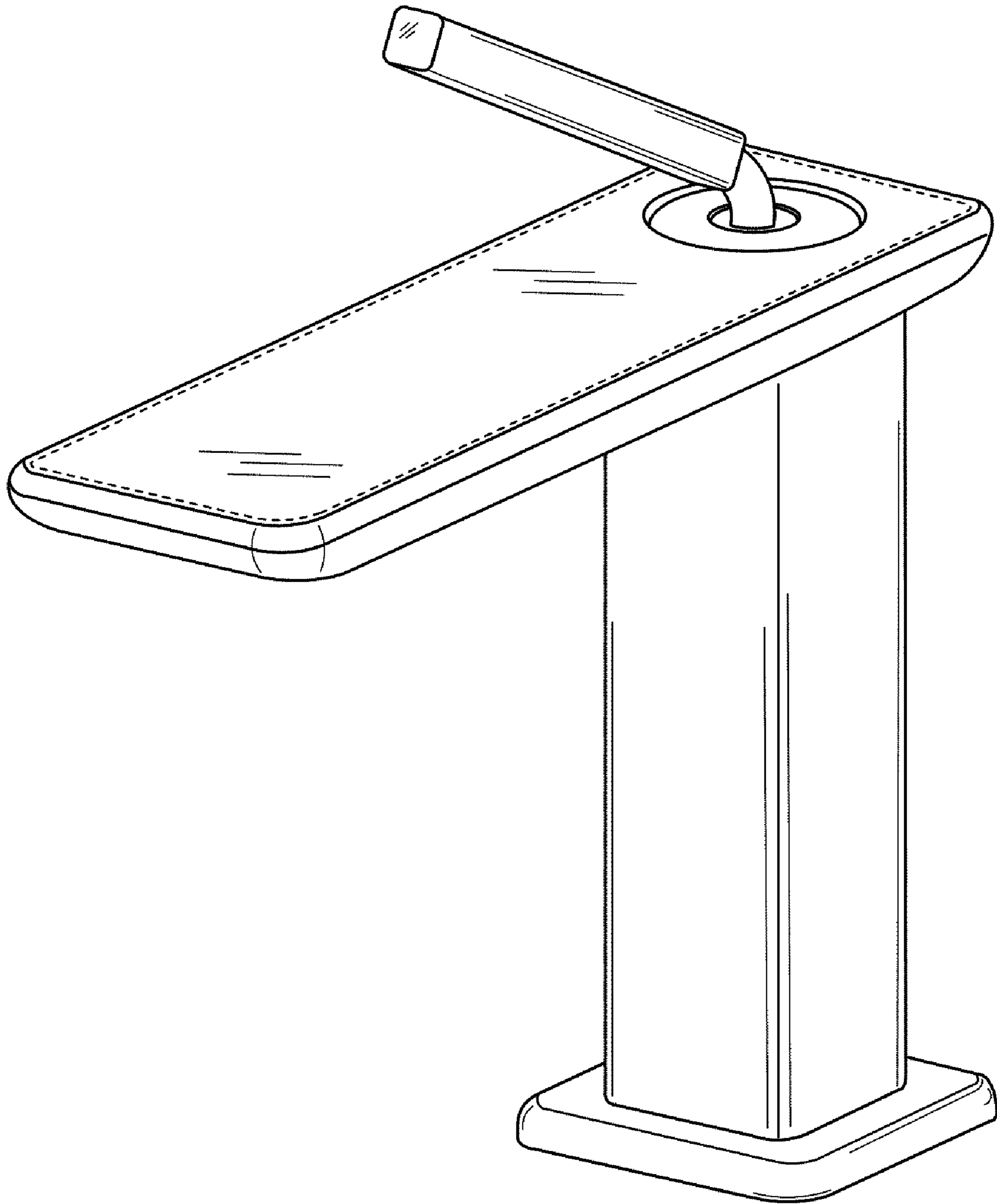


FIG. 1

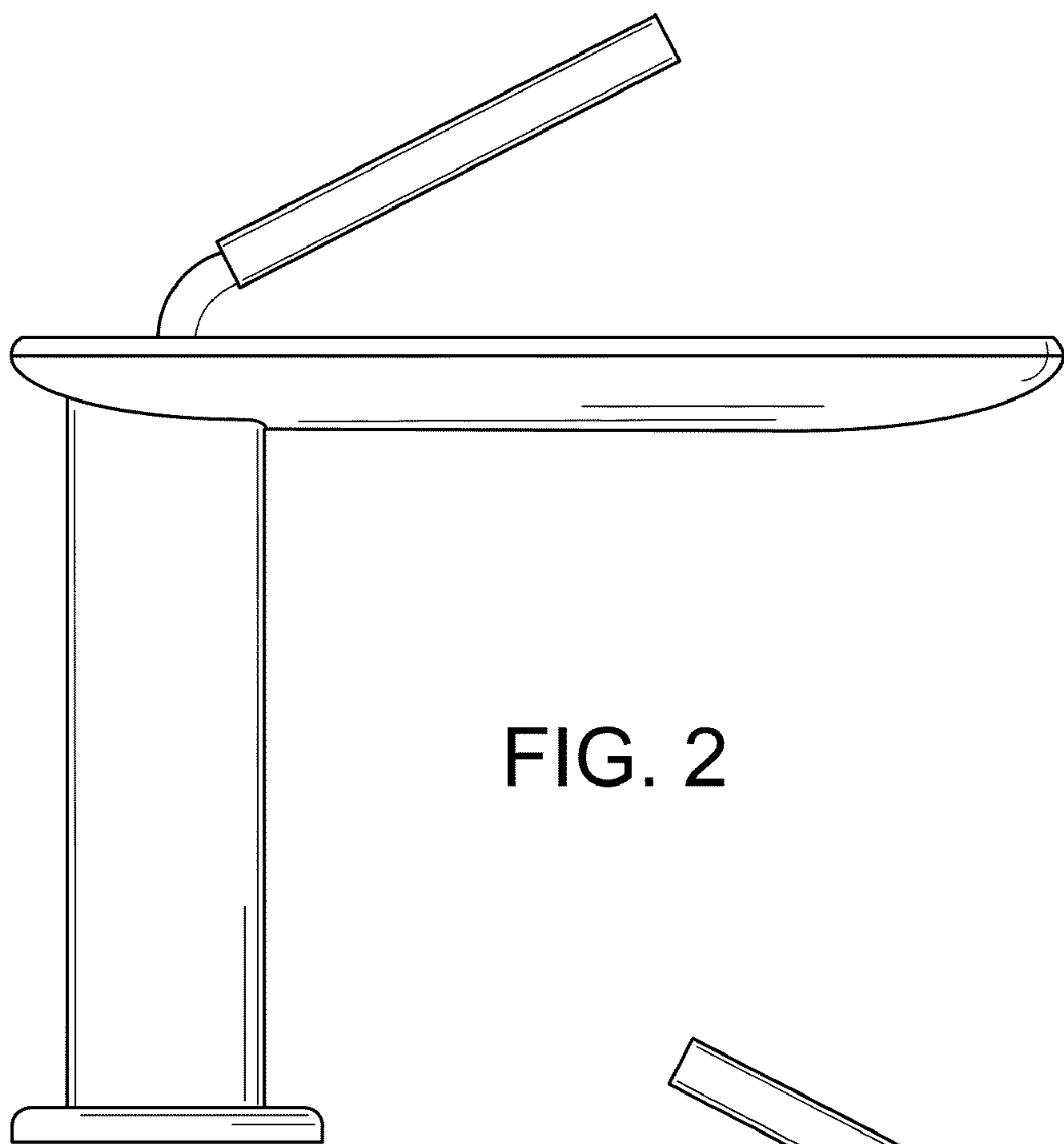


FIG. 2

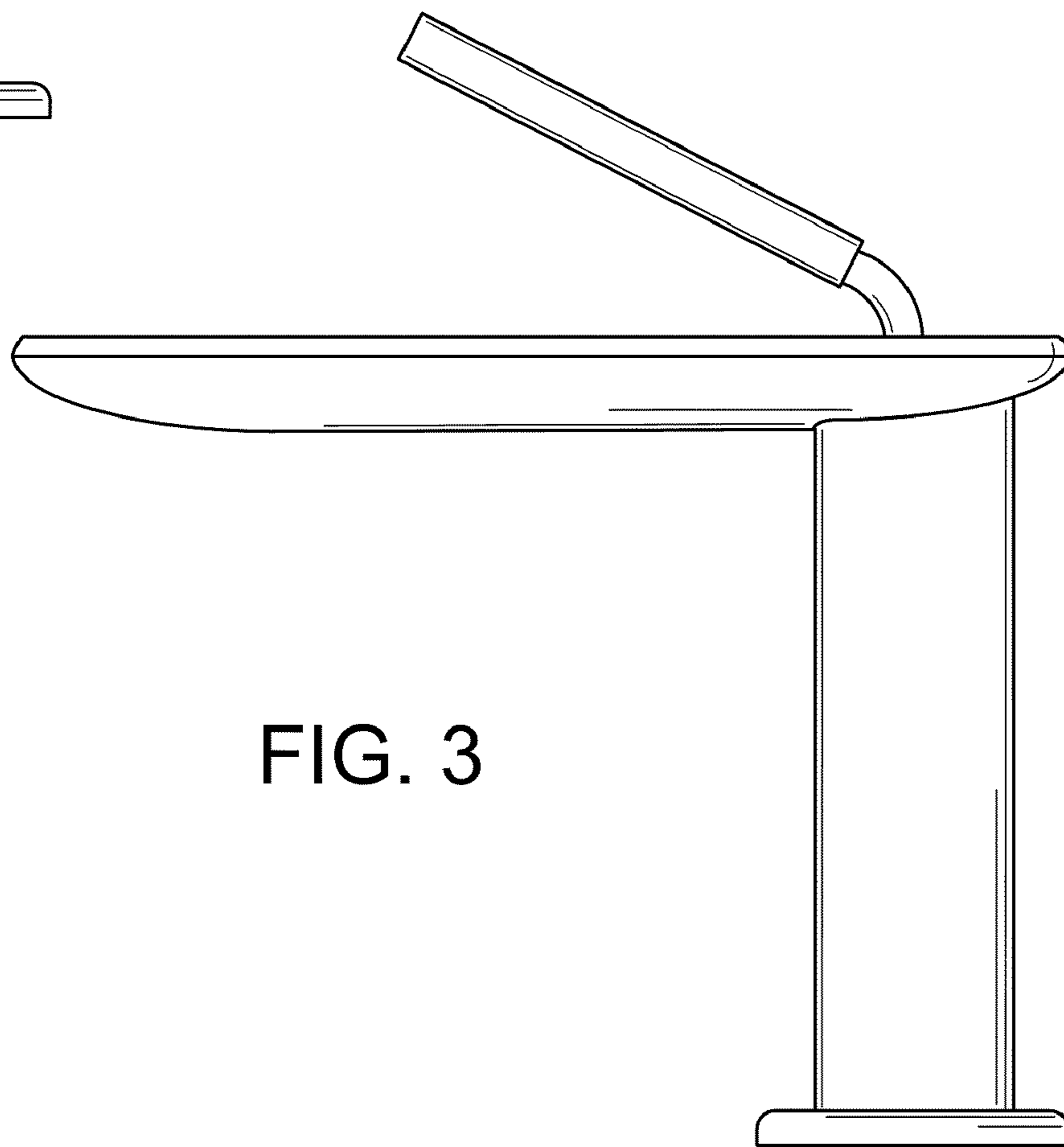


FIG. 3

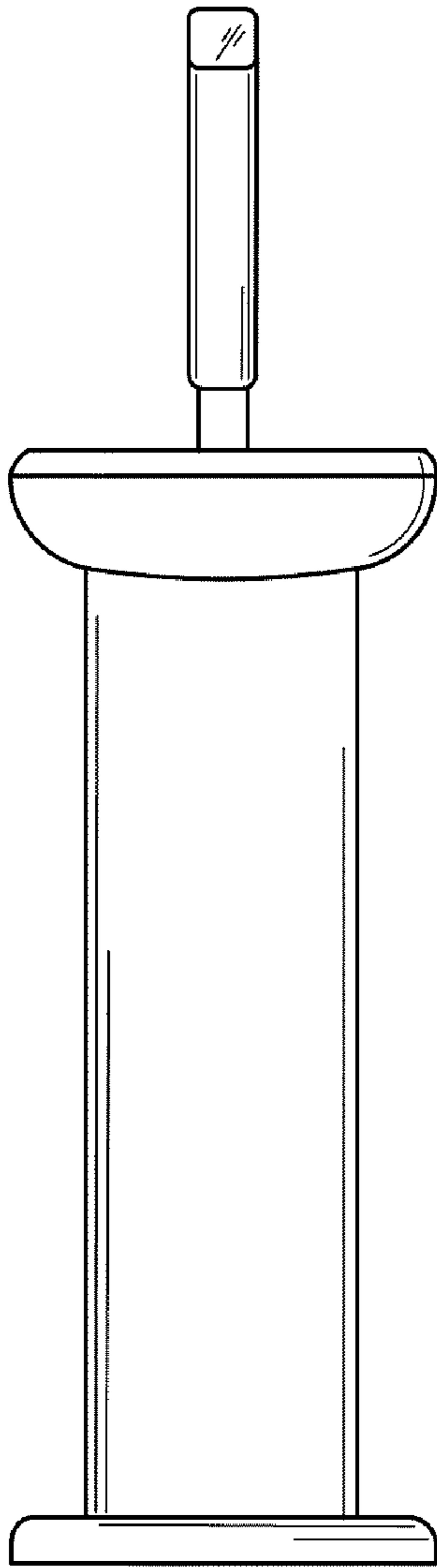


FIG. 4

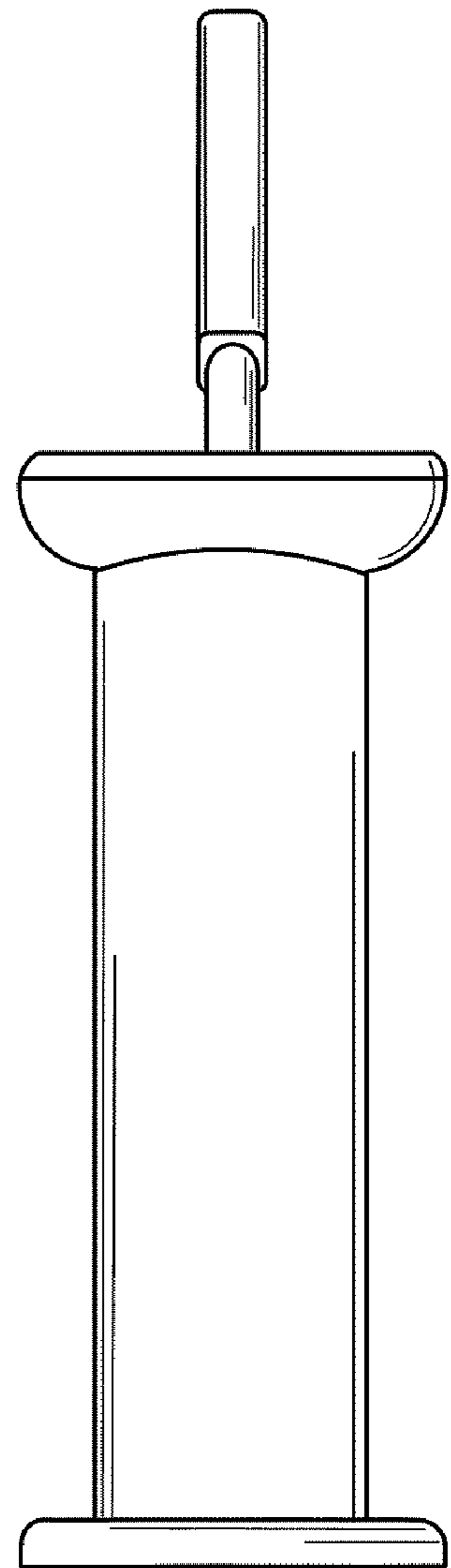


FIG. 5

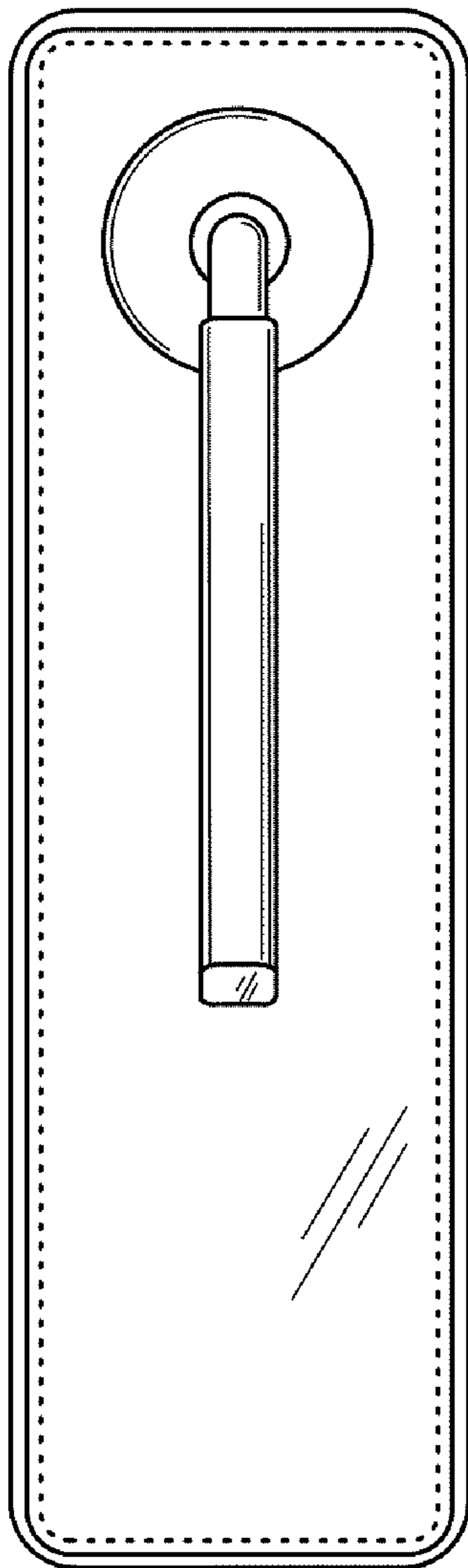


FIG. 6

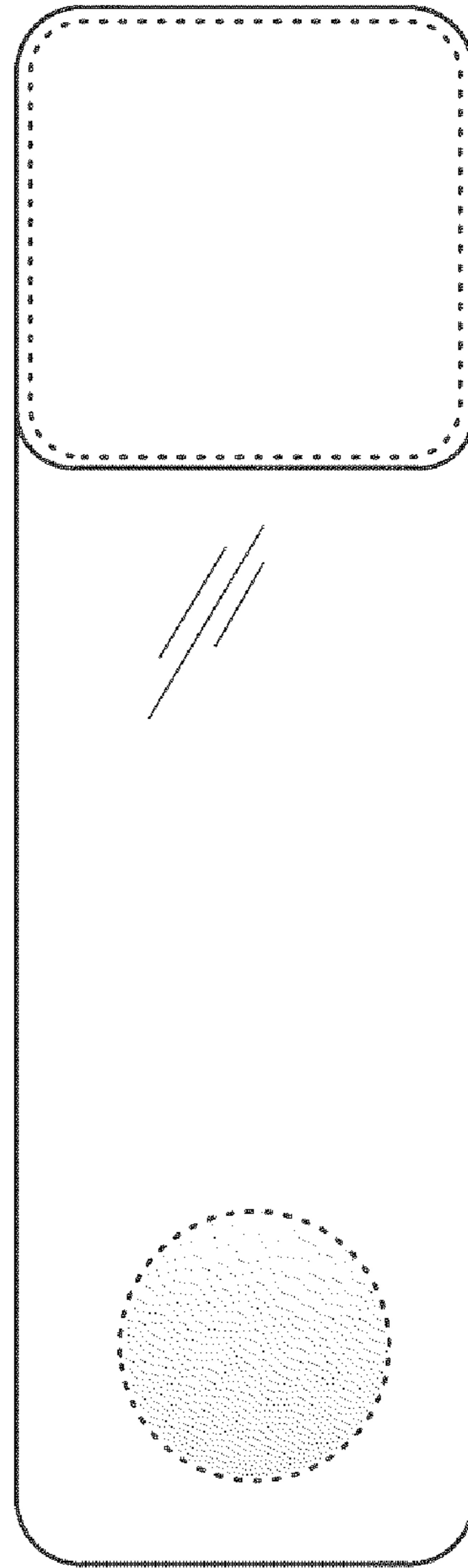


FIG. 7