



US00D646756S

(12) **United States Design Patent**
Flowers et al.

(10) **Patent No.:** **US D646,756 S**

(45) **Date of Patent:** **** Oct. 11, 2011**

(54) **WASH BASIN MIXER**

(75) Inventors: **Paul Flowers**, Duesseldorf (DE);
Annette Roy, Duesseldorf (DE)

(73) Assignee: **Grohe AG**, Hemer (DE)

(**) Term: **14 Years**

(21) Appl. No.: **29/380,072**

(22) Filed: **Nov. 30, 2010**

(30) **Foreign Application Priority Data**

May 31, 2010 (EM) 001713686-0002

(51) **LOC (9) Cl.** **23-01**

(52) **U.S. Cl.** **D23/238**

(58) **Field of Classification Search** D23/238-243,
D23/250, 255; 4/675-678; 137/801
See application file for complete search history.

(56) **References Cited**

U.S. PATENT DOCUMENTS

D531,699 S * 11/2006 Haug et al. D23/238
D636,061 S * 4/2011 Kulig D23/238

FOREIGN PATENT DOCUMENTS

EM 000518550-0002 6/2006
EM 000592746-0004 10/2006

* cited by examiner

Primary Examiner — Robert Delehanty

(74) *Attorney, Agent, or Firm* — Muncy, Geissler, Olds & Lowe, PLLC

(57) **CLAIM**

The ornamental design for a wash basin mixer, as shown and described.

DESCRIPTION

FIG. 1 is a left side elevational view of a wash basin mixer according to the present invention.

FIG. 2 is a right side elevational view of the wash basin mixer of FIG. 1.

FIG. 3 is a top plan view of the wash basin mixer of FIG. 1.

FIG. 4 is a bottom plan view of the wash basin mixer of FIG. 1.

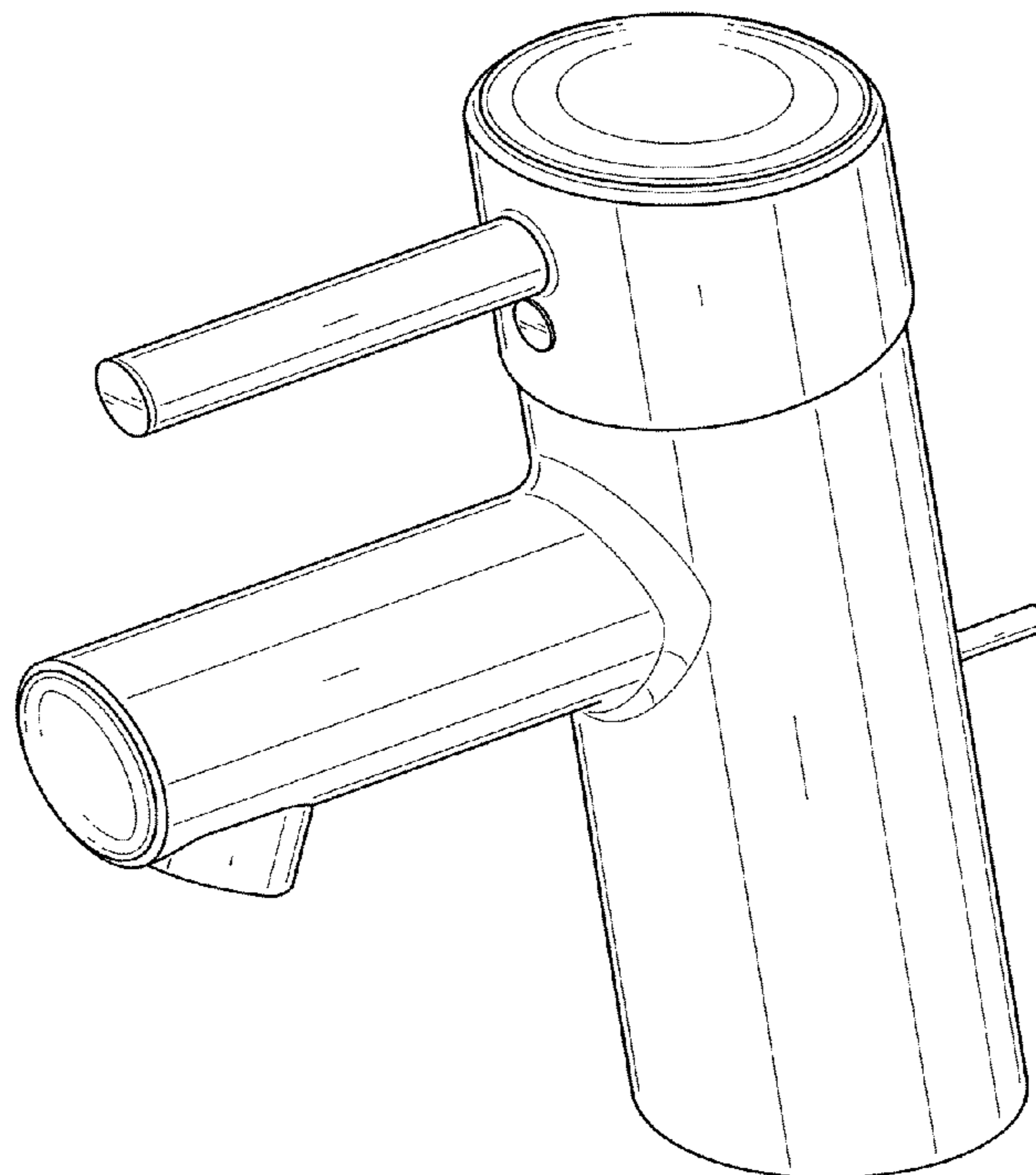
FIG. 5 is a front elevational view of the wash basin mixer of FIG. 1.

FIG. 6 is a rear elevational view of the wash basin mixer of FIG. 1; and,

FIG. 7 is a three quarter view of the wash basin mixer of FIG. 1.

The dashed lines illustrate environment that does not form a part of the present invention, and no claim is made to the material illustrated with dashed lines.

1 Claim, 7 Drawing Sheets



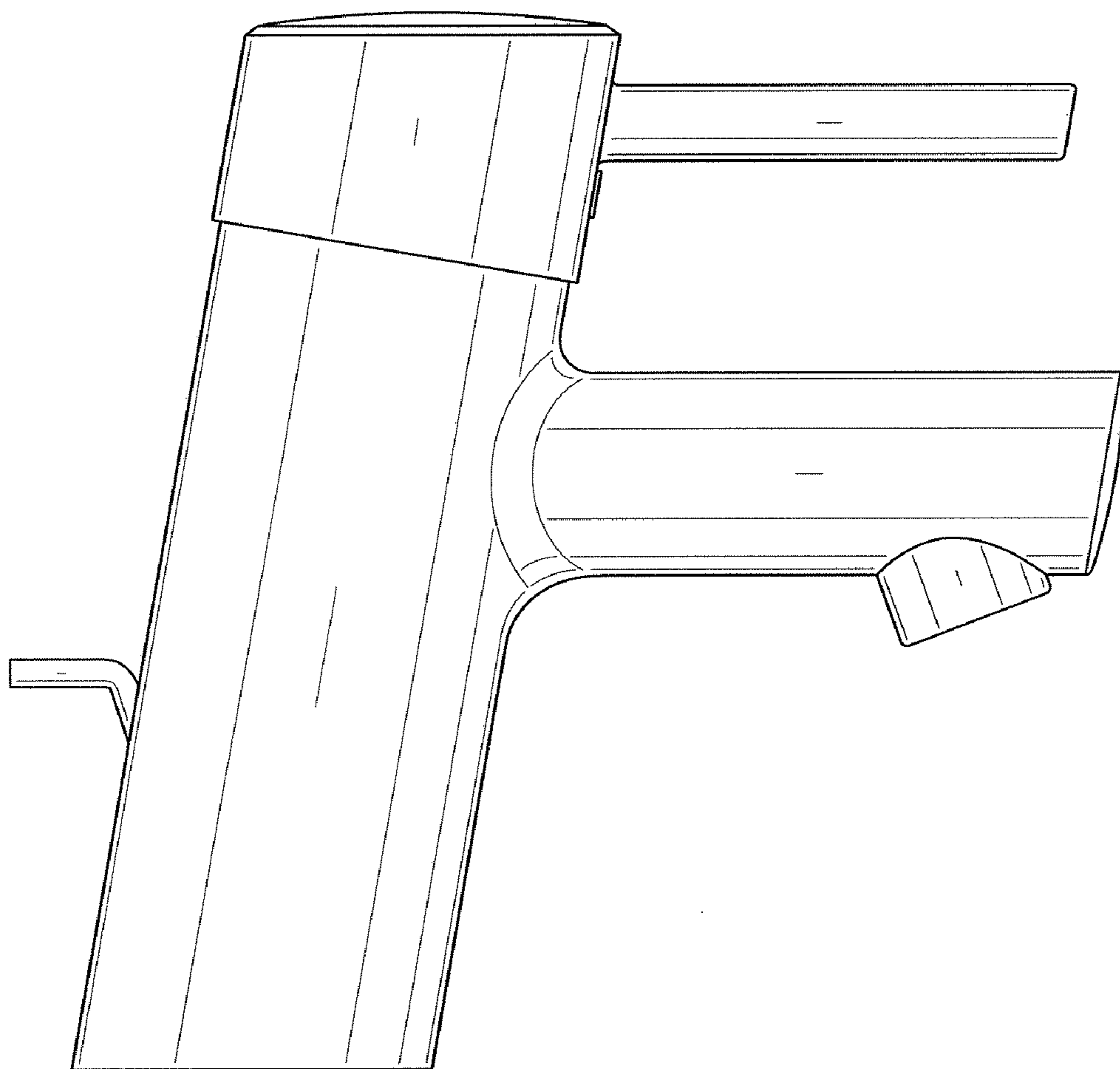


FIG. 1

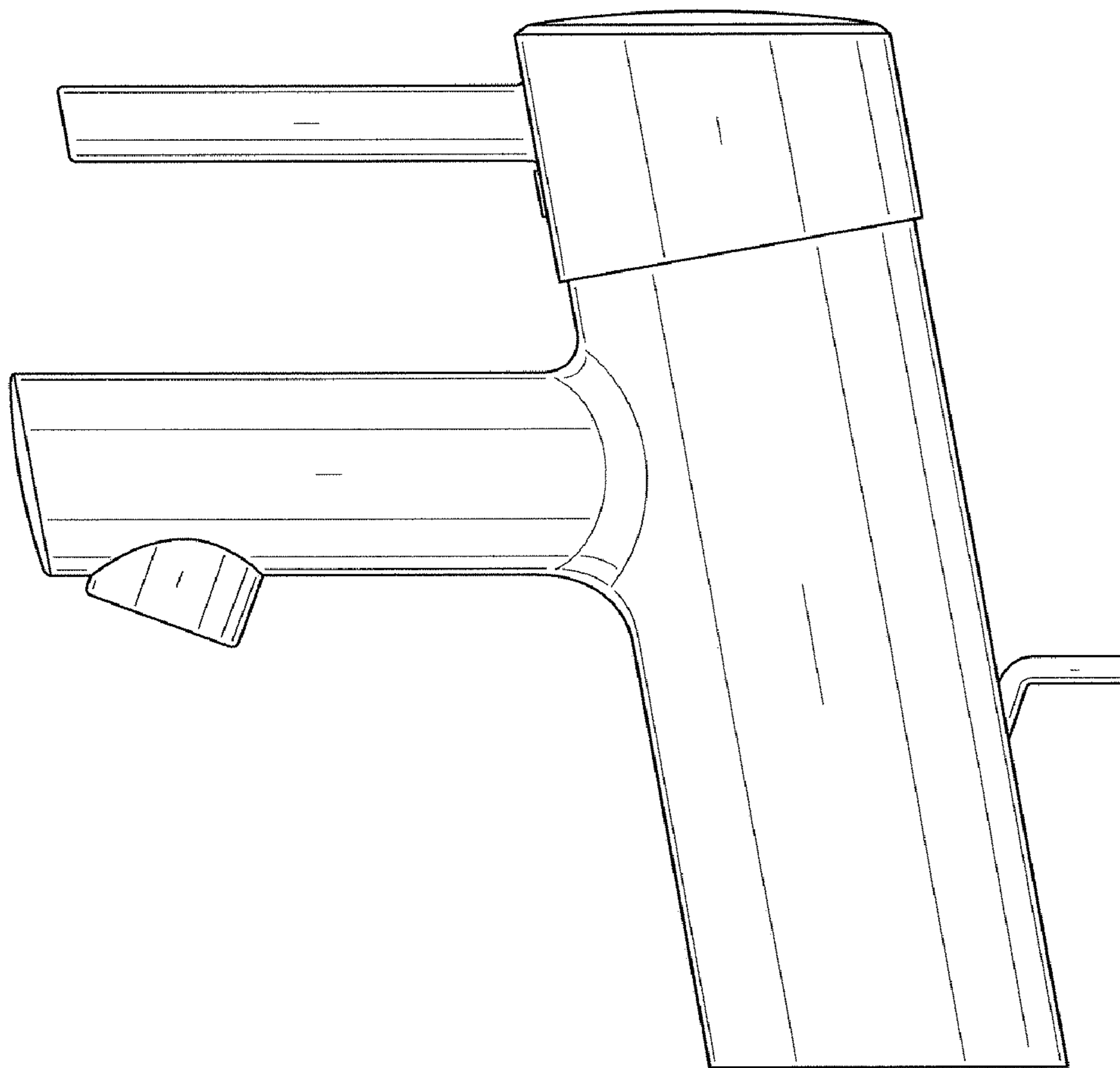


FIG. 2

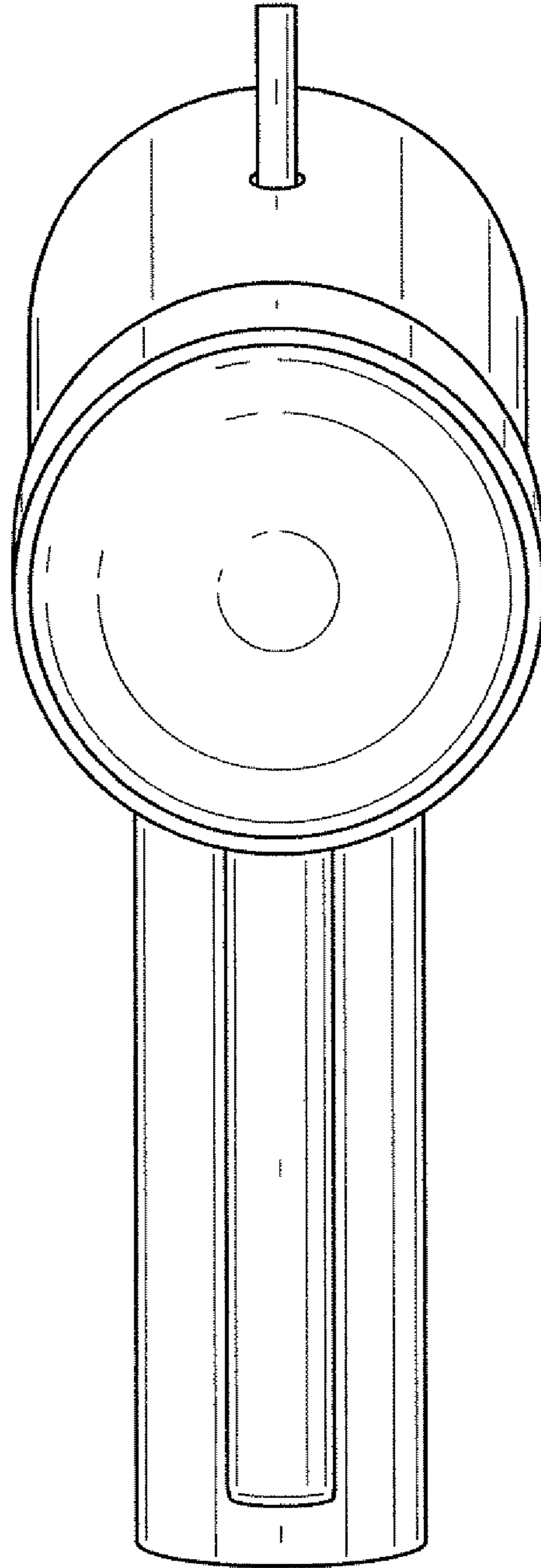


FIG. 3

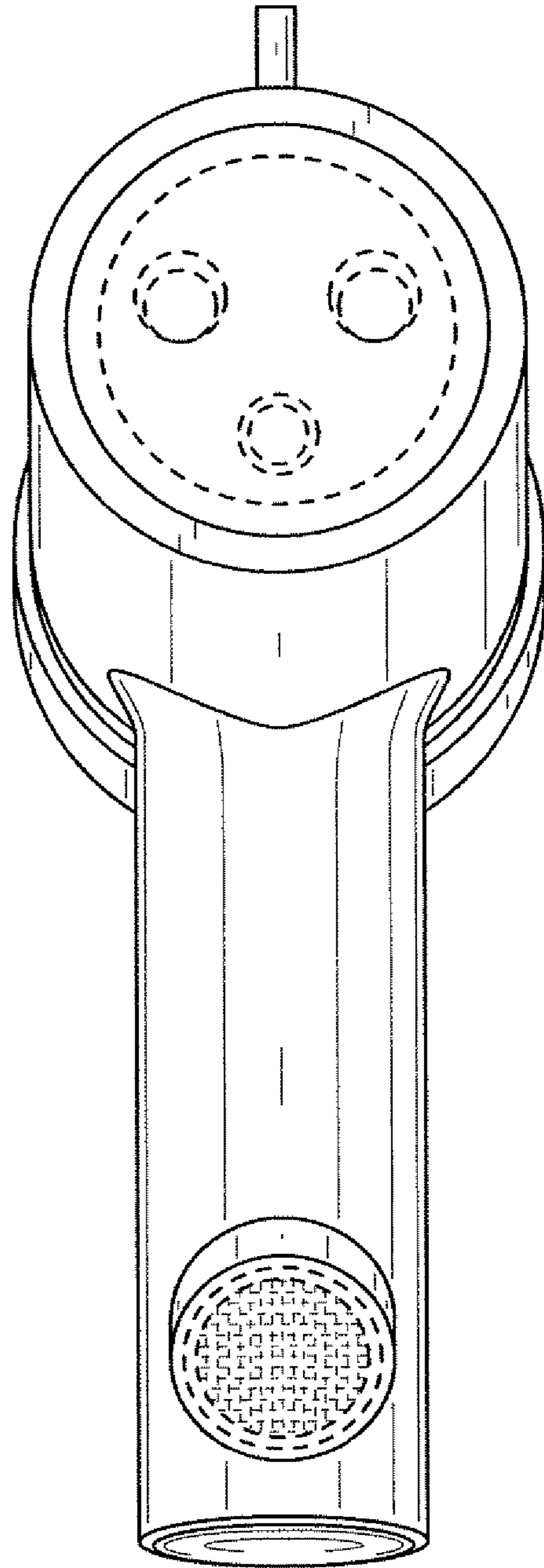


FIG. 4

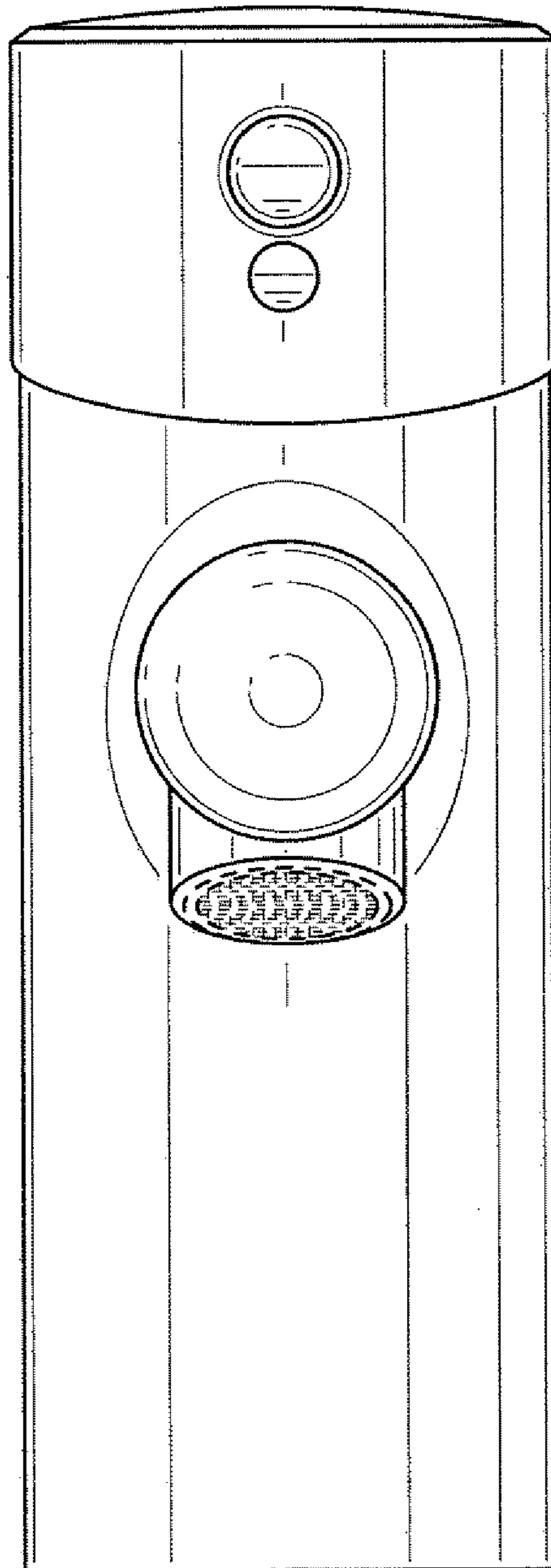


FIG. 5

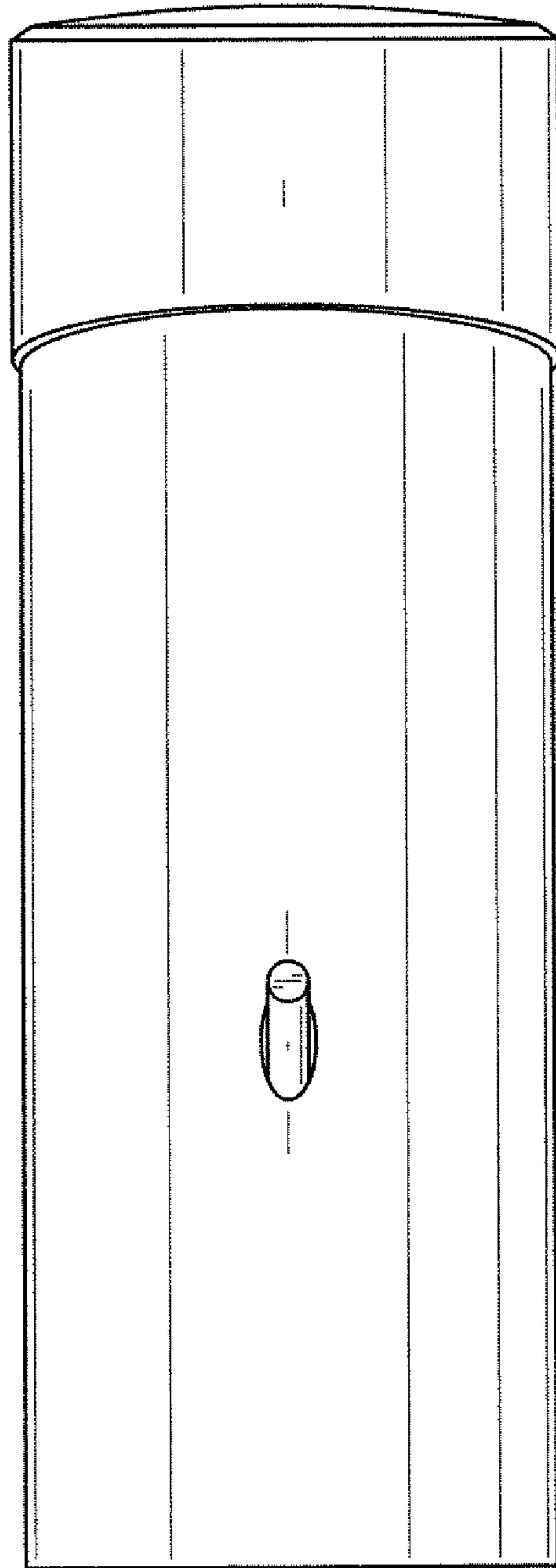


FIG. 6

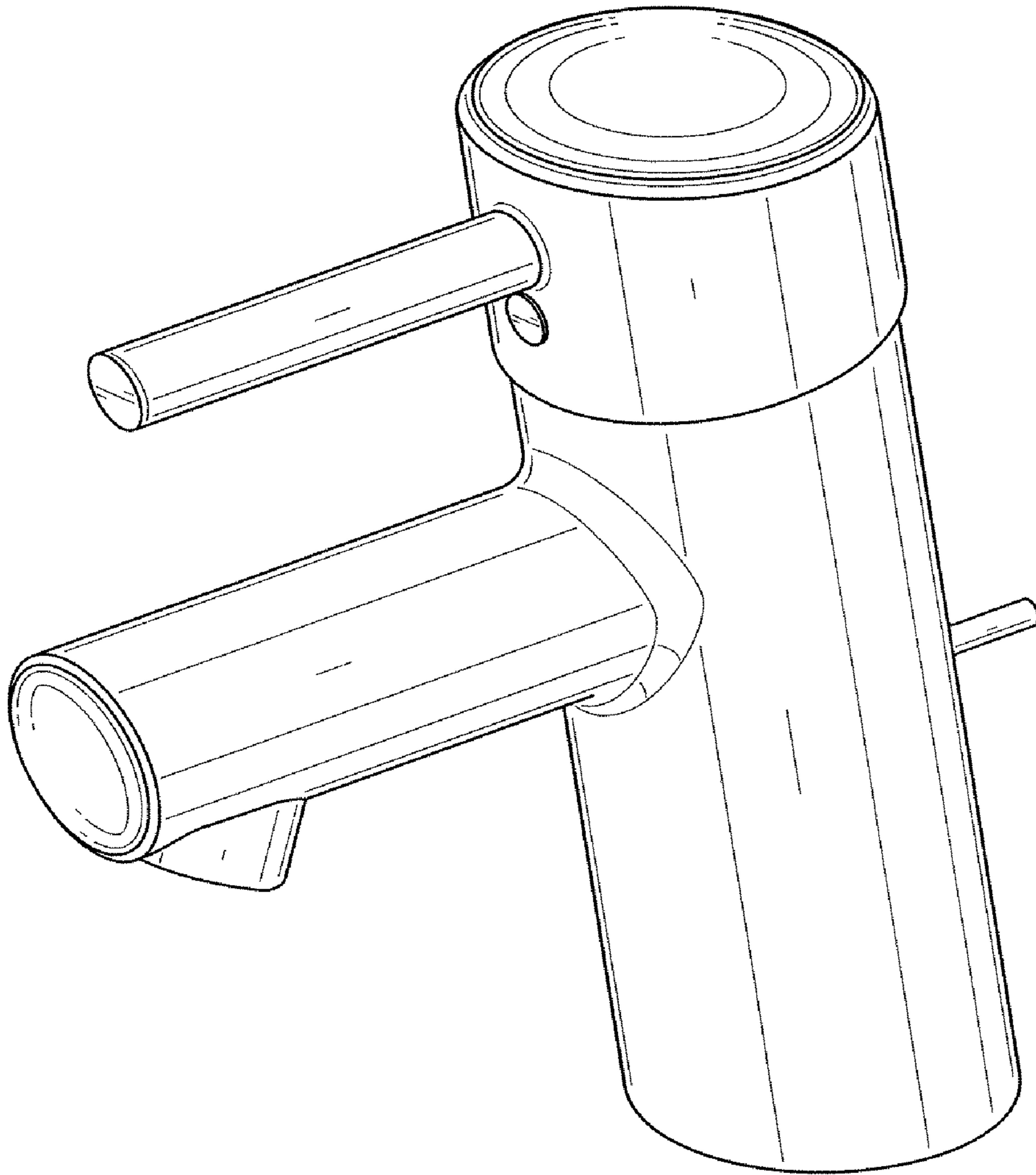


FIG. 7