



US00D646755S

(12) **United States Design Patent**  
**Lai**

(10) **Patent No.:** **US D646,755 S**

(45) **Date of Patent:** **\*\* Oct. 11, 2011**

(54) **SWITCH VALVE**

(75) Inventor: **Hung-Lin Lai**, Changhua (TW)

(73) Assignee: **Wen Sheng Fli Co., Ltd.**, Changhua (TW)

(\*\*) Term: **14 Years**

(21) Appl. No.: **29/387,825**

(22) Filed: **Mar. 18, 2011**

(51) **LOC (9) Cl.** ..... **23-01**

(52) **U.S. Cl.** ..... **D23/233**

(58) **Field of Classification Search** ..... D23/233-237,  
D23/244-250; 251/14, 309-310, 315, 315.01,  
251/315.1; D13/173

See application file for complete search history.

(56) **References Cited**

U.S. PATENT DOCUMENTS

|              |        |          |       |         |
|--------------|--------|----------|-------|---------|
| D430,272 S * | 8/2000 | Hung-Lin | ..... | D23/245 |
| D448,454 S * | 9/2001 | Lai      | ..... | D23/245 |
| D458,665 S * | 6/2002 | Lai      | ..... | D23/233 |
| D459,792 S * | 7/2002 | Lai      | ..... | D23/252 |
| D473,631 S * | 4/2003 | Lai      | ..... | D23/245 |
| D473,931 S * | 4/2003 | Lai      | ..... | D23/245 |
| D478,650 S * | 8/2003 | Lai      | ..... | D23/233 |

|              |         |              |       |         |
|--------------|---------|--------------|-------|---------|
| D583,019 S * | 12/2008 | Soriano      | ..... | D23/250 |
| D583,910 S * | 12/2008 | Hoernig      | ..... | D23/250 |
| D605,252 S * | 12/2009 | Lai          | ..... | D23/233 |
| D605,254 S * | 12/2009 | Lai          | ..... | D23/233 |
| D611,573 S * | 3/2010  | Gao          | ..... | D23/250 |
| D621,914 S * | 8/2010  | Fritz et al. | ..... | D23/250 |

\* cited by examiner

*Primary Examiner* — Cathron C. Brooks

*Assistant Examiner* — Maurice Stevens

(74) *Attorney, Agent, or Firm* — Che-Yang Chen; Law Office of Michael Chen

(57) **CLAIM**

The ornamental design for a switch valve, as shown and described.

**DESCRIPTION**

FIG. 1 is a perspective view of a switch valve showing my new design;

FIG. 2 is a front view of the embodiment shown in FIG. 1;

FIG. 3 is a rear view of the embodiment shown in FIG. 1;

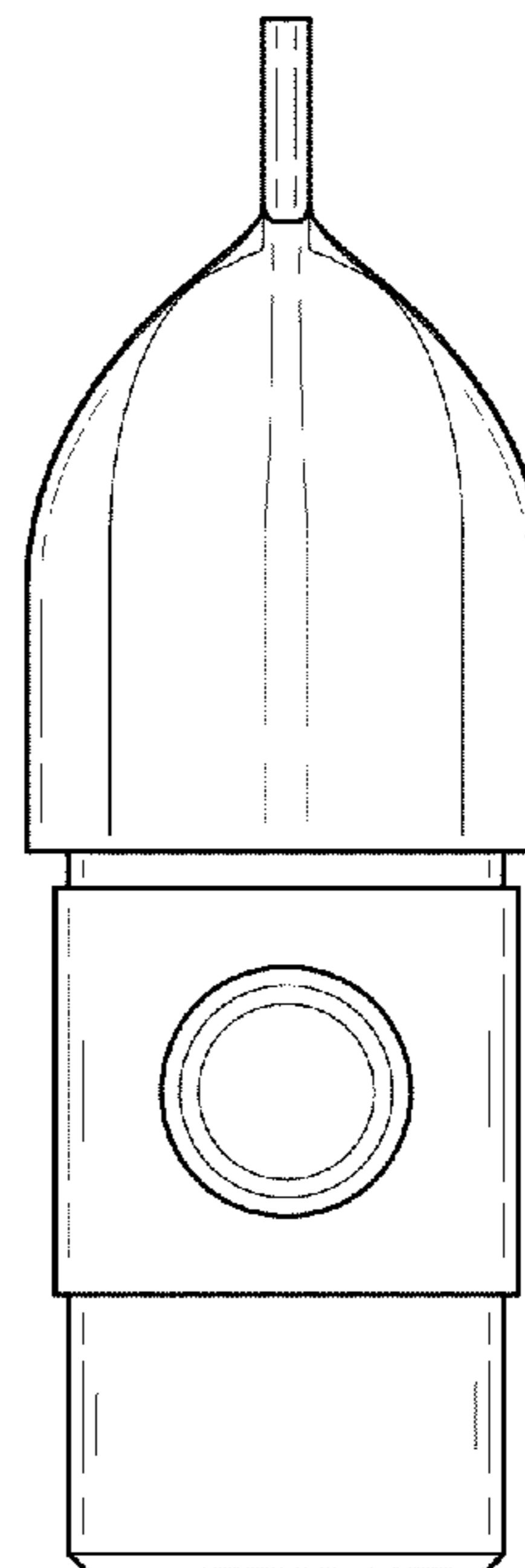
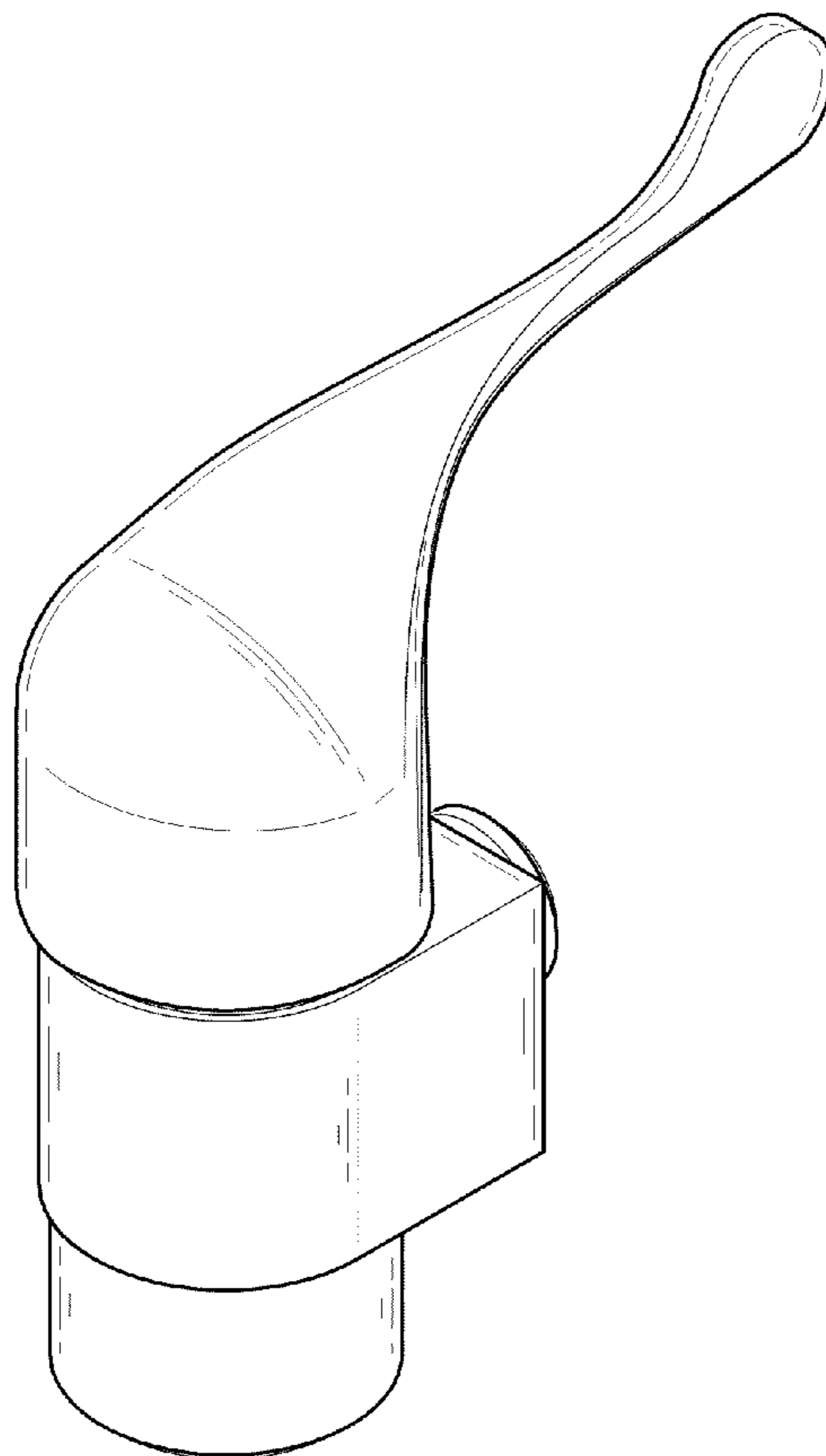
FIG. 4 is a left side view of the embodiment shown in FIG. 1;

FIG. 5 is a right side view of the embodiment shown in FIG. 1;

FIG. 6 is a top view of the embodiment shown in FIG. 1; and,

FIG. 7 is a bottom view of the embodiment shown in FIG. 1.

**1 Claim, 4 Drawing Sheets**



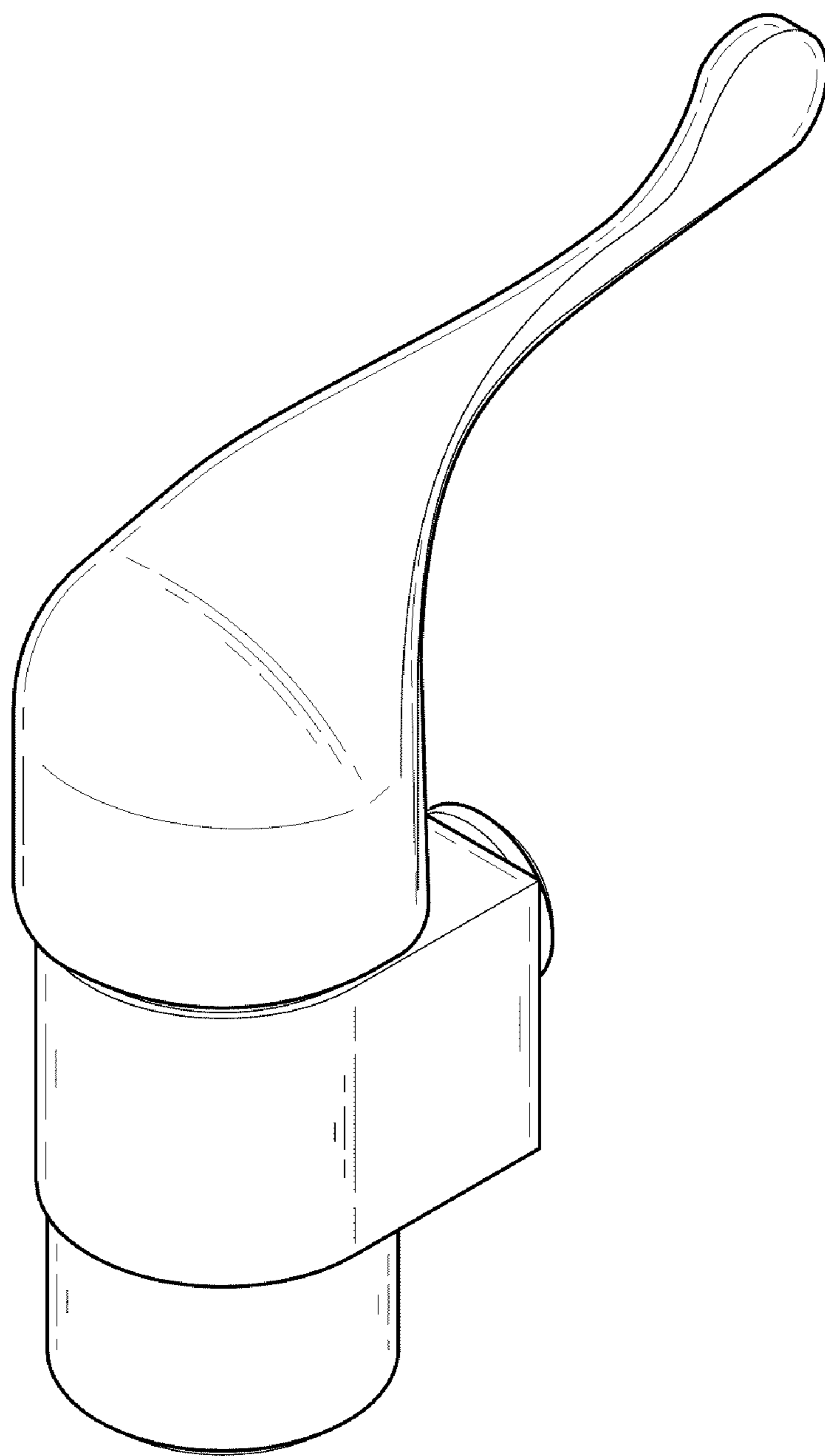


FIG. 1

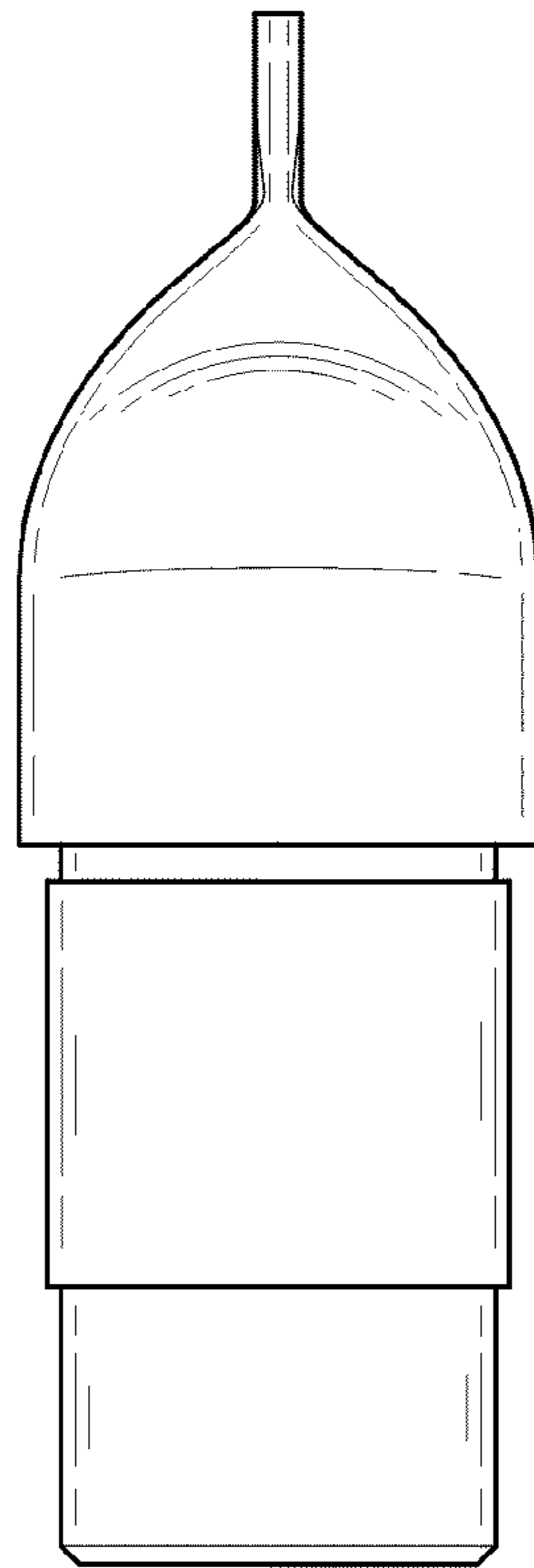


FIG. 2

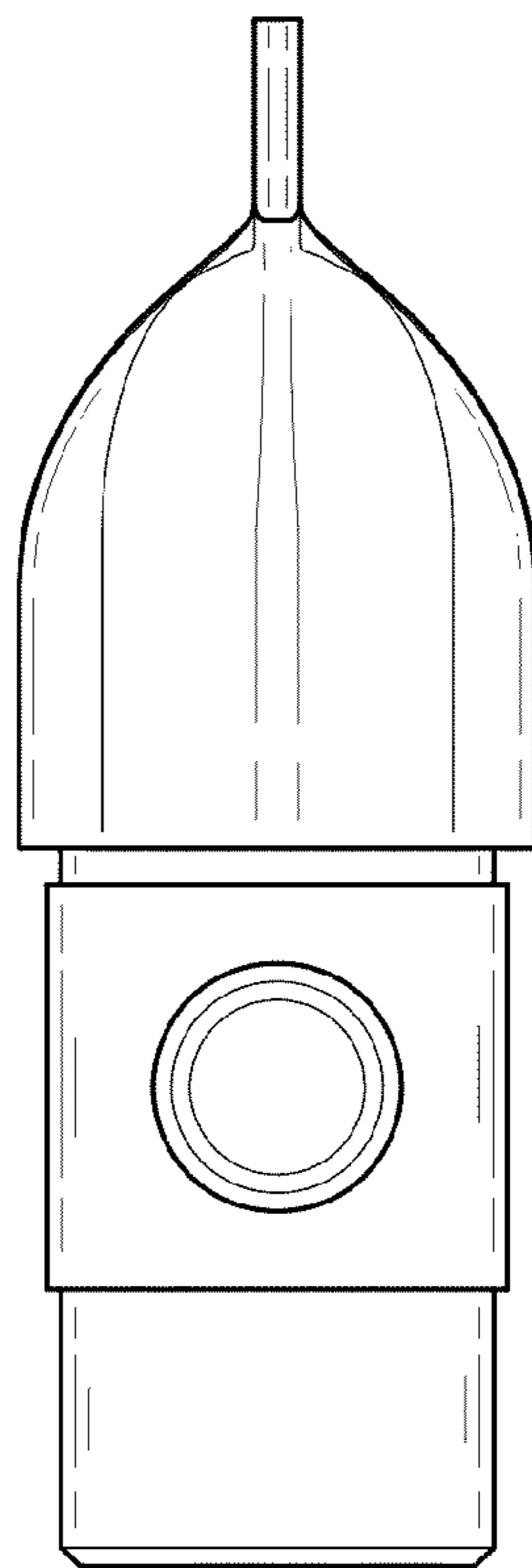


FIG. 3

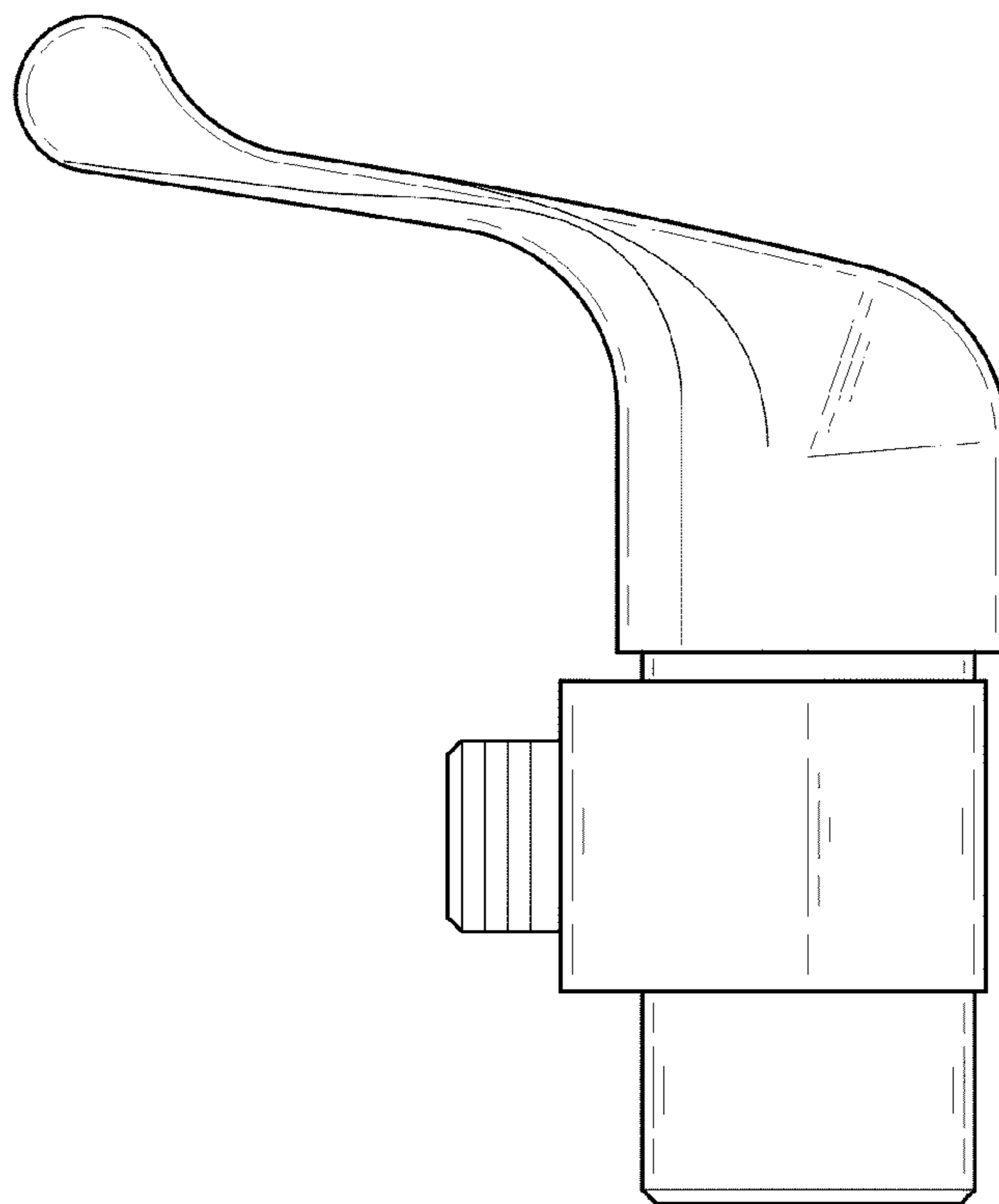


FIG. 4

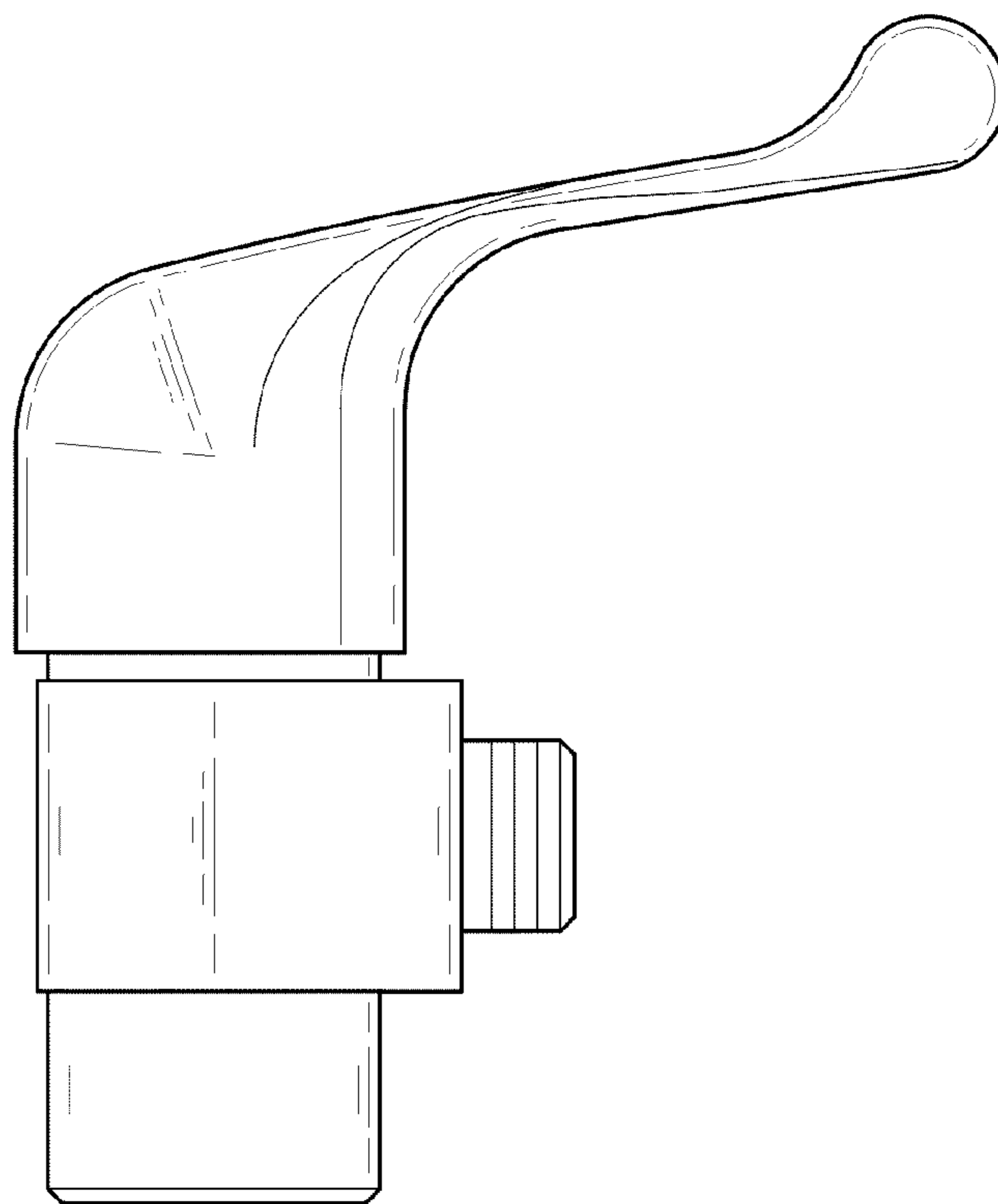


FIG. 5

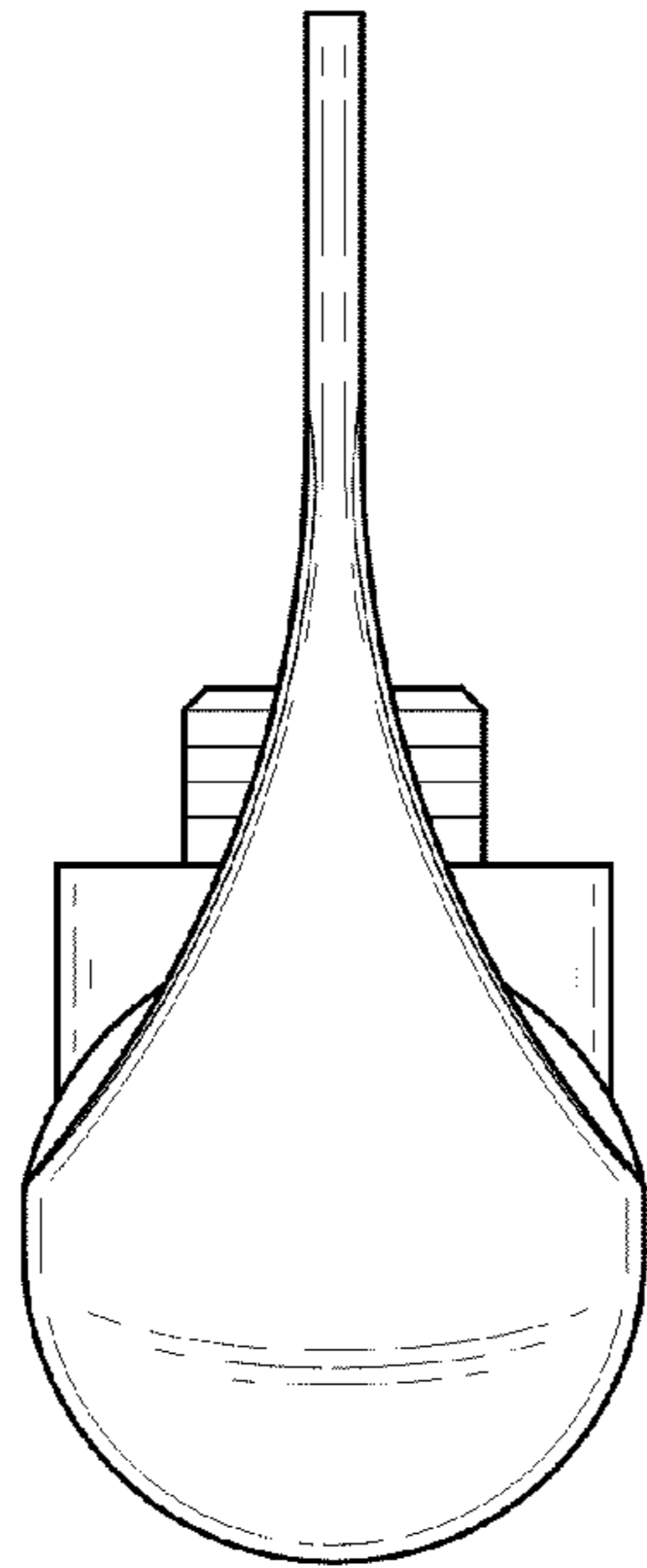


FIG. 6

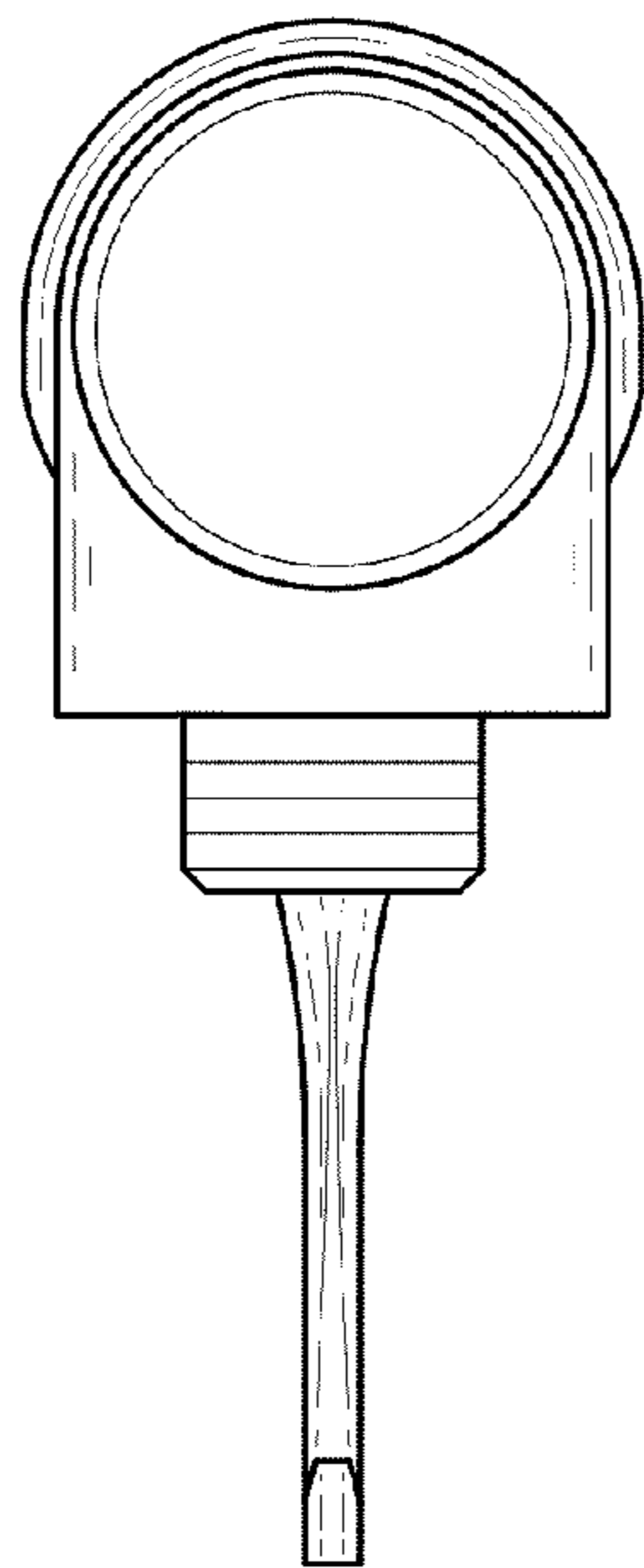


FIG. 7