

US00D646754S

(12) **United States Design Patent**
Reimann et al.

(10) **Patent No.:** **US D646,754 S**
(45) **Date of Patent:** **** Oct. 11, 2011**

(54) **INSERT FOR A CLOSURE FOR A CONTAINER**

(56) **References Cited**

(75) Inventors: **Kirk M. Reimann**, Franksville, WI (US); **William E. Simpson**, New Berlin, WI (US); **Nancy D. Trafelet**, Racine, WI (US); **Andy Swain**, Nottingham (GB); **Christopher J. Webb**, Dronfield (GB); **Shirley A. Webb**, legal representative, Dronfield (GB); **David Holden**, Derbyshire (GB); **Garry W. Crossdale**, Derbyshire (GB); **Brian D. Haworth**, Voorburg (GB); **Bert Van der Heijden**, Bunnik (GB)

(73) Assignee: **Diversey, Inc.**, Sturtevant, WI (US)

(**) Term: **14 Years**

(21) Appl. No.: **29/381,867**

(22) Filed: **Dec. 23, 2010**

U.S. PATENT DOCUMENTS

3,301,427	A *	1/1967	Roman	215/287
4,150,673	A	4/1979	Watt	
5,100,030	A	3/1992	Roggenburg, Jr. et al.	
5,238,141	A *	8/1993	Callegari et al.	220/725
5,293,913	A	3/1994	Preszler	
5,597,019	A	1/1997	Thomas et al.	
D380,668	S *	7/1997	Nakamura	D8/387
5,651,398	A	7/1997	Decker et al.	
5,784,087	A	7/1998	Wallace et al.	
5,832,972	A	11/1998	Thomas et al.	
D404,464	S	1/1999	Niemczyk	
5,915,427	A	6/1999	Grabenkort	
6,006,046	A	12/1999	MacFarland	
6,105,633	A	8/2000	Pedersen et al.	
D430,922	S	9/2000	Hung-Lin	
6,431,400	B1	8/2002	O—Maley et al.	
6,648,182	B2	11/2003	Rauworth et al.	
6,786,346	B1 *	9/2004	Gurnard et al.	215/272
6,866,064	B2	3/2005	Nanni, Jr. et al.	
6,874,522	B2	4/2005	Anderson et al.	
7,090,343	B2	8/2006	Steinmetz et al.	
7,188,937	B2	3/2007	Wilson et al.	
7,451,896	B2 *	11/2008	Robinson	222/153.14
D584,106	S *	1/2009	Wong	D7/396.2
D585,743	S *	2/2009	Wilson et al.	D9/449

(Continued)

Related U.S. Application Data

(60) Division of application No. 29/344,143, filed on Sep. 24, 2009, now Pat. No. Des. 619,681, which is a division of application No. 29/250,107, filed on Nov. 2, 2006, now Pat. No. Des. 602,120, which is a continuation of application No. 29/258,032, filed on Apr. 14, 2006, now Pat. No. Des. 601,660.

(51) **LOC (9) Cl.** **23-01**

(52) **U.S. Cl.** **D23/233**

(58) **Field of Classification Search** D23/233–237; 137/636.3, 636.2, 625.41, 625.17; D9/435, D9/447, 449; 220/203.22, 293.19, 725; 222/153.01, 222/153.04, 153.14, 562, 575

See application file for complete search history.

Primary Examiner — Cathron C. Brooks

Assistant Examiner — Maurice Stevens

(74) *Attorney, Agent, or Firm* — Gregory S. Bollis

(57) **CLAIM**

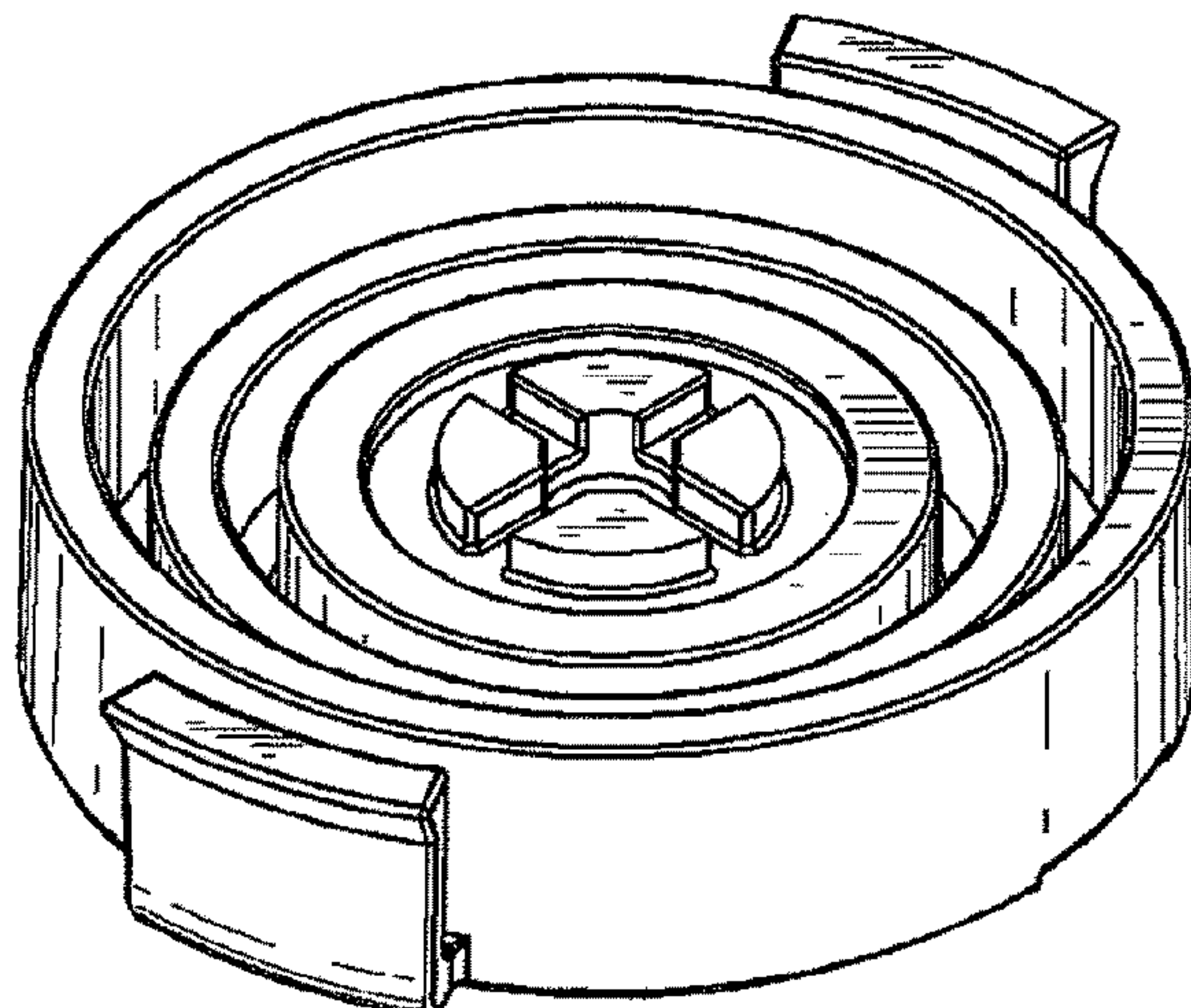
The ornamental design for an insert for a closure for a container, as shown and described.

DESCRIPTION

FIG. 1 is a perspective view of an insert for a closure for a container, showing our new design; and, FIG. 2 is a top view thereof.

The present application is directed to the shape and contour of a lock-out type closure for a container and a corresponding lock-out type dispenser insert. Features of the drawings shown in broken lines are not considered part of the design currently sought to be patented.

1 Claim, 2 Drawing Sheets



US D646,754 S

Page 2

U.S. PATENT DOCUMENTS

D589,796 S *	4/2009	McGeough	D9/449	2005/0103387 A1	5/2005	Voege et al.
D601,660 S *	10/2009	Reimann et al.	D23/233	2005/0127090 A1	6/2005	Sayers et al.
D602,120 S *	10/2009	Reimann et al.	D23/233	2005/0147864 A1	7/2005	Eggum
2004/0045984 A1	3/2004	Schuman et al.		2006/0124662 A1	6/2006	Reynolds et al.
2004/0046329 A1	3/2004	Pieters				

* cited by examiner

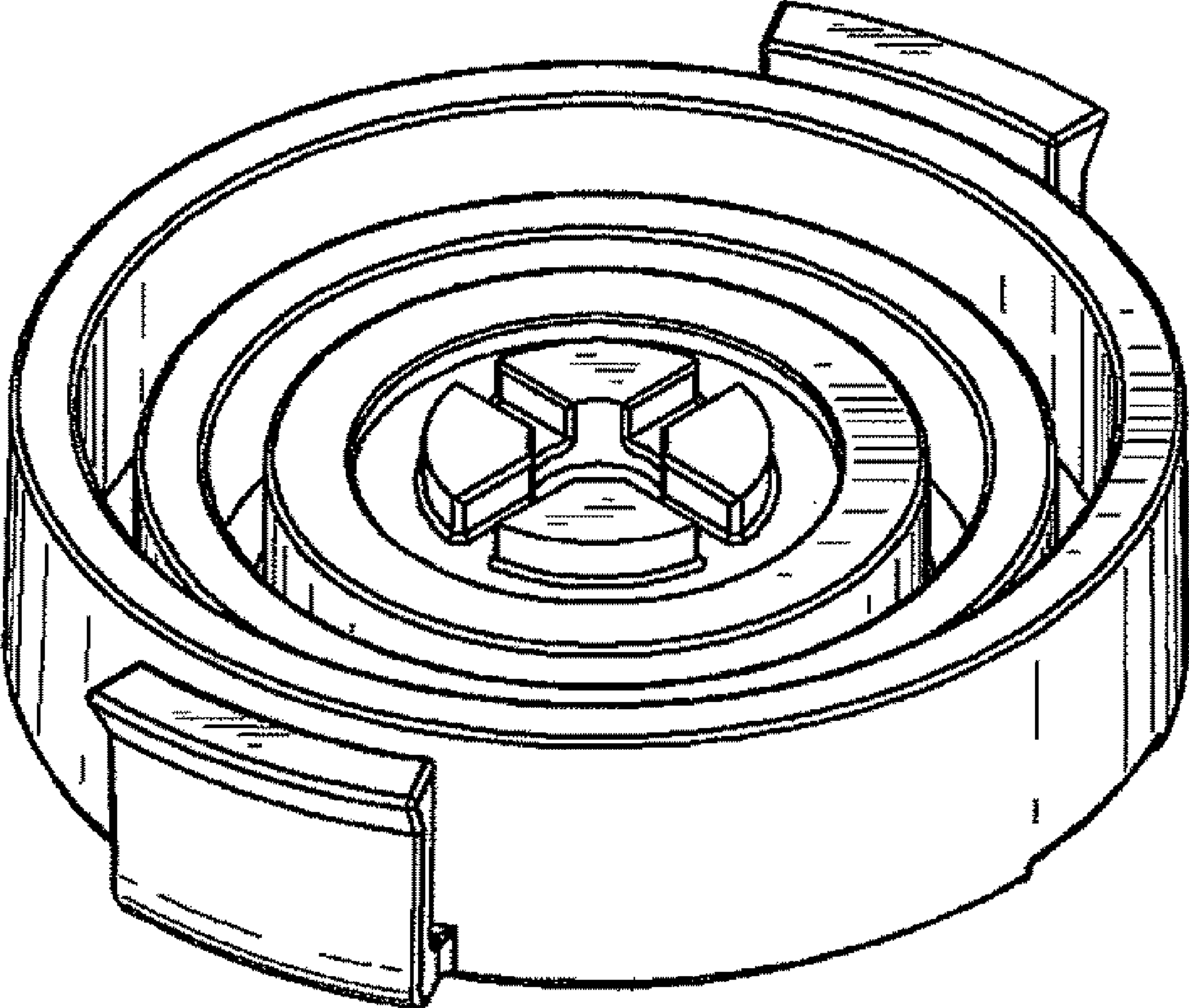


FIG. 1

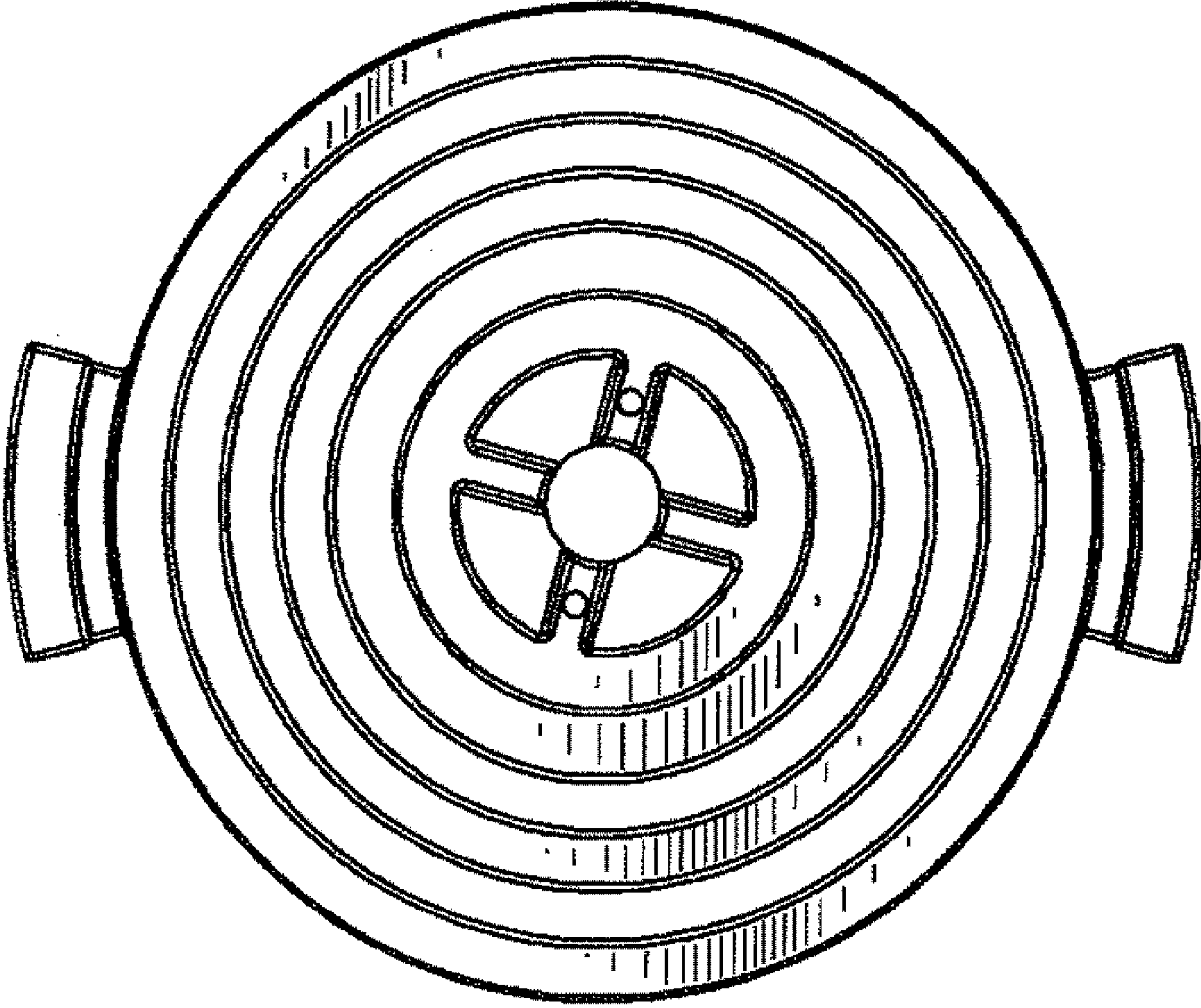


FIG. 2