

US00D646753S

(12) **United States Design Patent**
Juul et al.

(10) **Patent No.:** **US D646,753 S**

(45) **Date of Patent:** **** Oct. 11, 2011**

(54) **CCM VALVE**

(75) Inventors: **Anders Juul**, Vejle (DK); **Hans Kurt Petersen**, Egtved (DK)

(73) Assignee: **Danfoss A/S**, Nordborg (DK)

(**) Term: **14 Years**

(21) Appl. No.: **29/380,380**

(22) Filed: **Dec. 3, 2010**

(30) **Foreign Application Priority Data**

Jul. 7, 2010 (EM) 001728767

(51) **LOC (9) Cl.** **23-01**

(52) **U.S. Cl.** **D23/233**

(58) **Field of Classification Search** D23/233–237,
D23/244–249; D29/6, 7; D24/129; 137/382,
137/614.19; 251/257, 263, 297, 89, 89.5
See application file for complete search history.

(56) **References Cited**

U.S. PATENT DOCUMENTS

4,705,076	A *	11/1987	Krechel et al.	137/883
D300,272	S *	3/1989	Rudolph et al.	D24/110.6
D341,187	S *	11/1993	Stachowiak	D23/233
D395,485	S *	6/1998	Deaso, Sr.	D23/245
D527,073	S *	8/2006	Yajima et al.	D23/233
D541,905	S *	5/2007	Yajima et al.	D23/233

* cited by examiner

Primary Examiner — Cathron C. Brooks

Assistant Examiner — Maurice Stevens

(74) *Attorney, Agent, or Firm* — McCormick, Paulding & Huber LLP

(57) **CLAIM**

The ornamental design for a CCM valve, substantially as shown and described.

DESCRIPTION

FIG. 1 is a front, top, left-hand side perspective view of a CCM valve comprising a first embodiment of a new, original and ornamental design;

FIG. 2 is a front view of a CCM valve comprising the first embodiment of the new, original and ornamental design;

FIG. 3 is a rear view of a CCM valve comprising the first embodiment of the new, original and ornamental design;

FIG. 4 is a right-hand side view of a CCM valve comprising the first embodiment of the new, original and ornamental design;

FIG. 5 is a left-hand side view of a CCM valve comprising the first embodiment of the new, original and ornamental design;

FIG. 6 is a top view of a CCM valve comprising the first embodiment of the new, original and ornamental design;

FIG. 7 is a bottom view of a CCM valve comprising the first embodiment of the new, original and ornamental design;

FIG. 8 is a front, top, left-hand side perspective view of a CCM valve comprising a second embodiment of a new, original and ornamental design;

FIG. 9 is a front view of a CCM valve comprising the second embodiment of the new, original and ornamental design;

FIG. 10 is a rear view of a CCM valve comprising the second embodiment of the new, original and ornamental design;

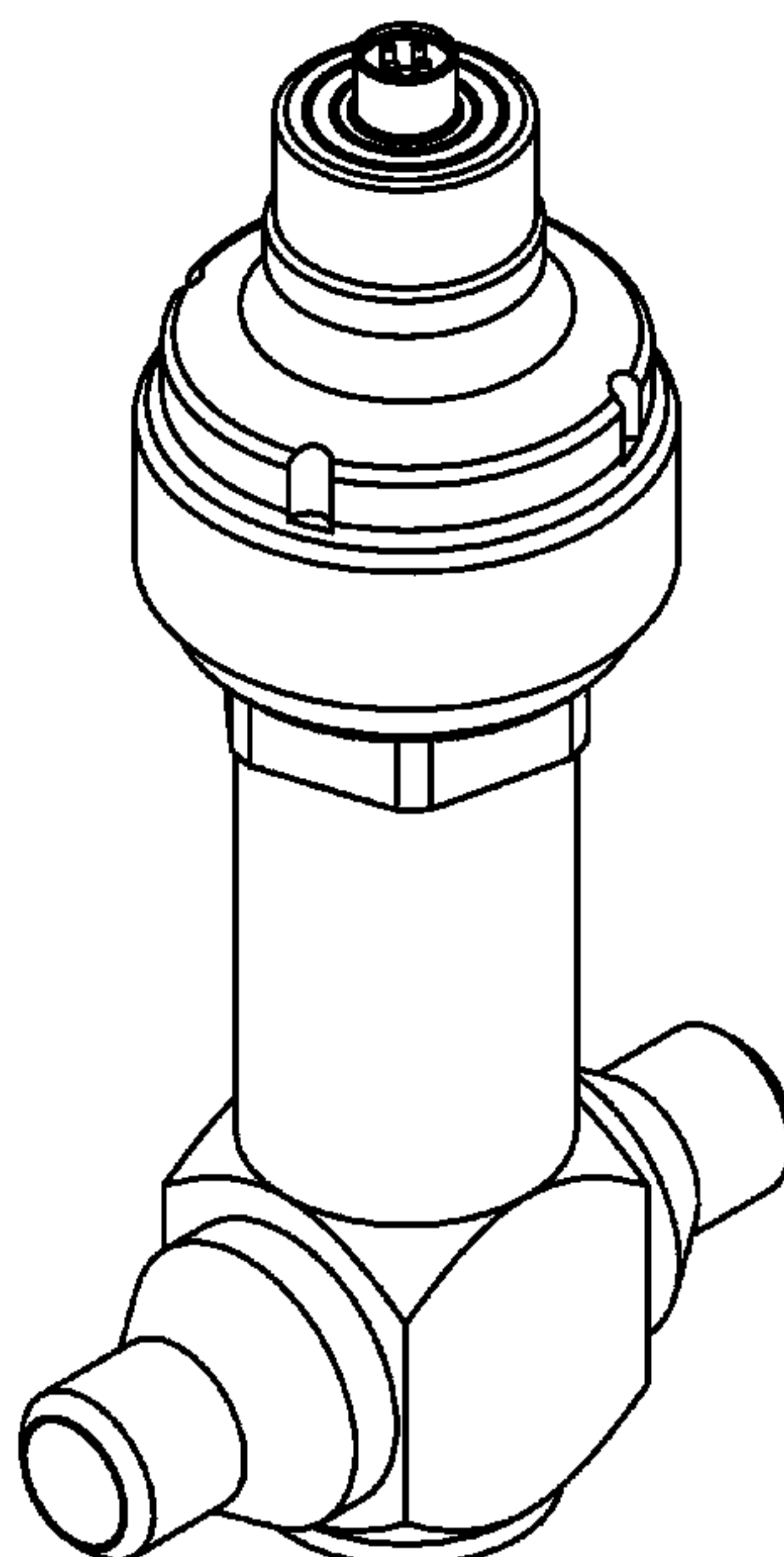
FIG. 11 is a right-hand side view of a CCM valve comprising the second embodiment of the new, original and ornamental design;

FIG. 12 is a left-hand side view of a CCM valve comprising the second embodiment of the new, original and ornamental design;

FIG. 13 is a top view of a CCM valve comprising the second embodiment of the new, original and ornamental design; and,

FIG. 14 is a bottom view of a CCM valve comprising the second embodiment of the new, original and ornamental design.

1 Claim, 8 Drawing Sheets



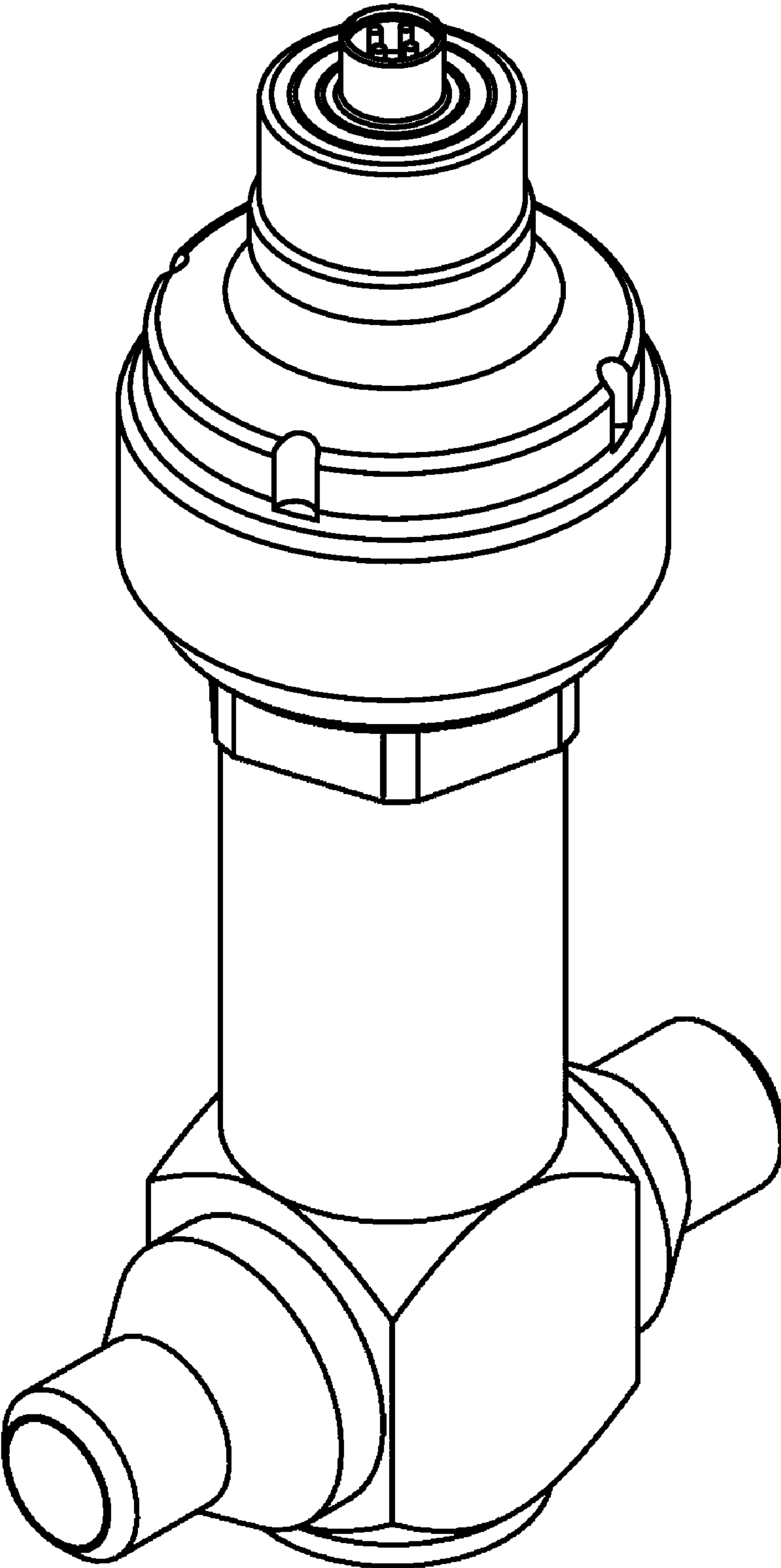
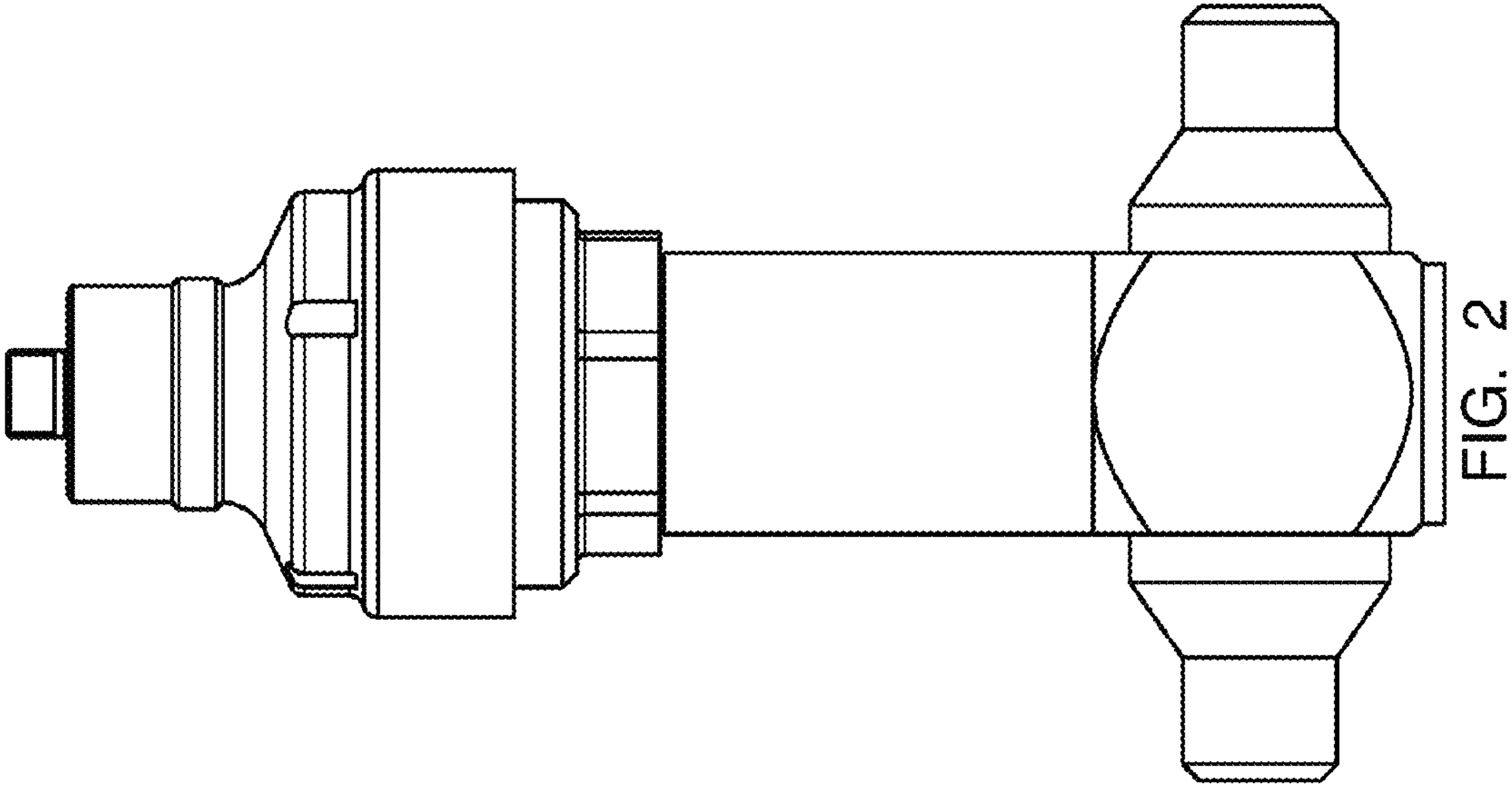
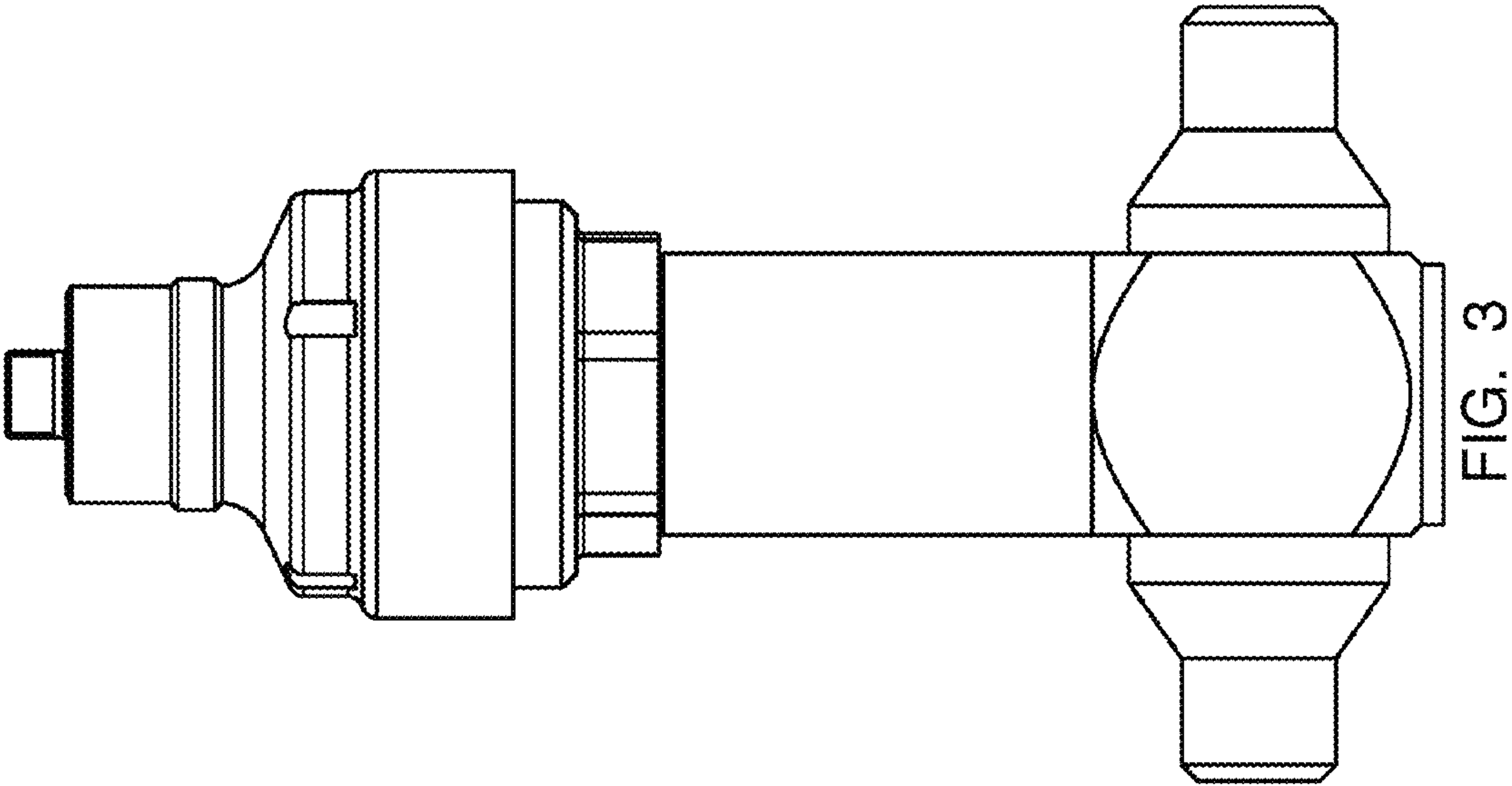


FIG. 1



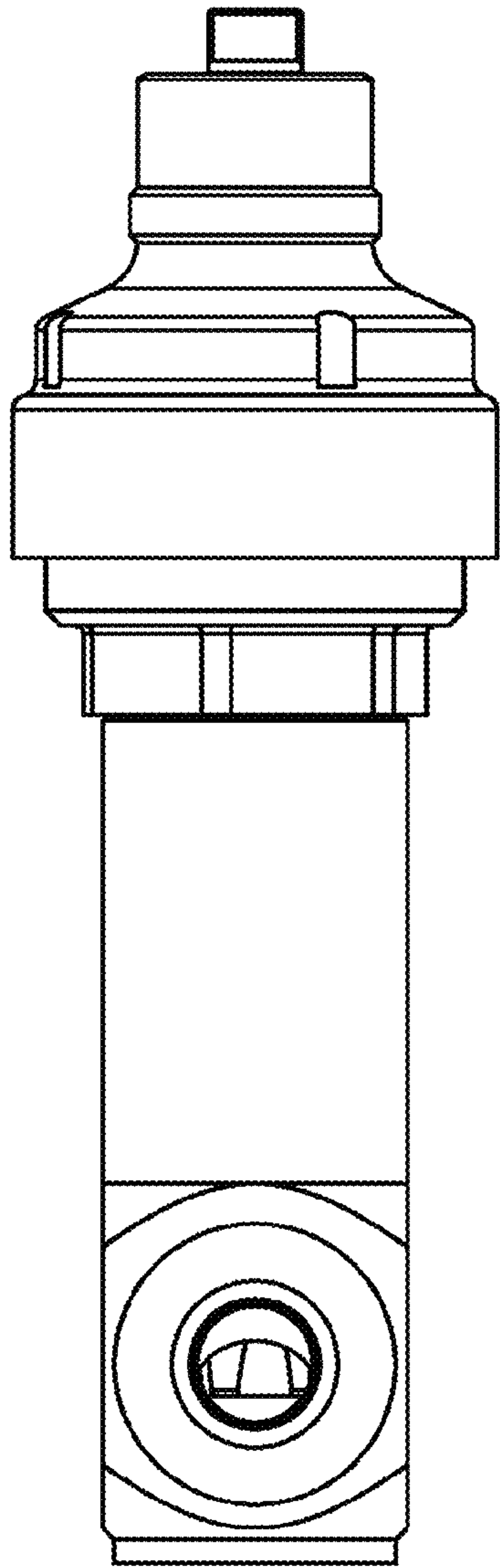


FIG. 4

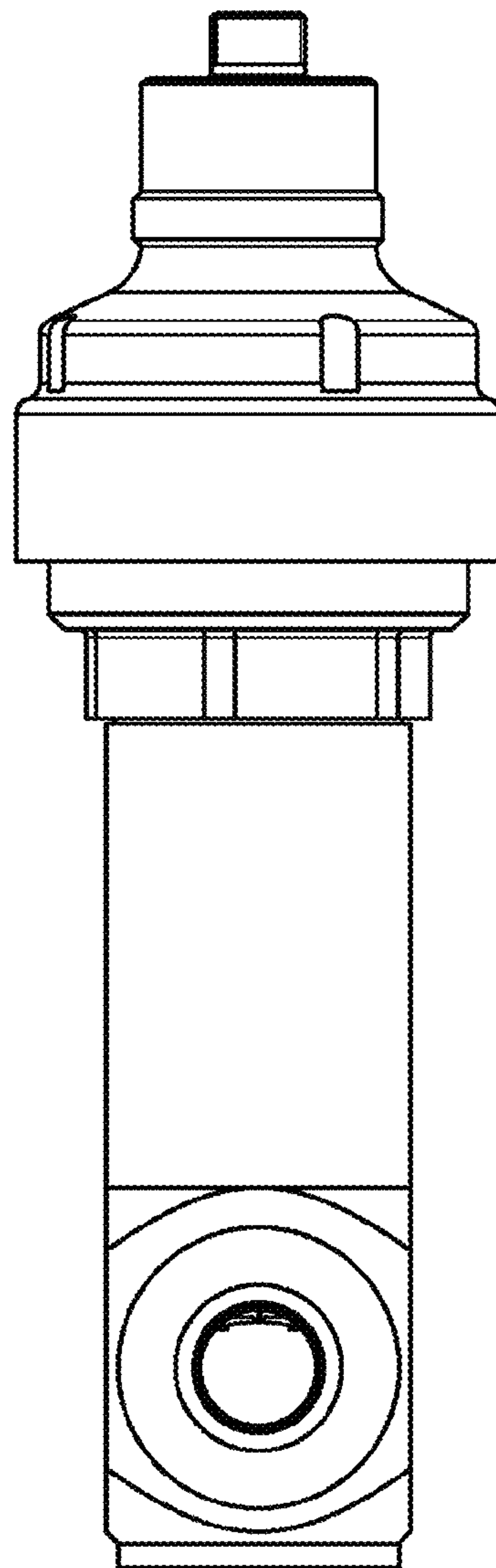


FIG. 5

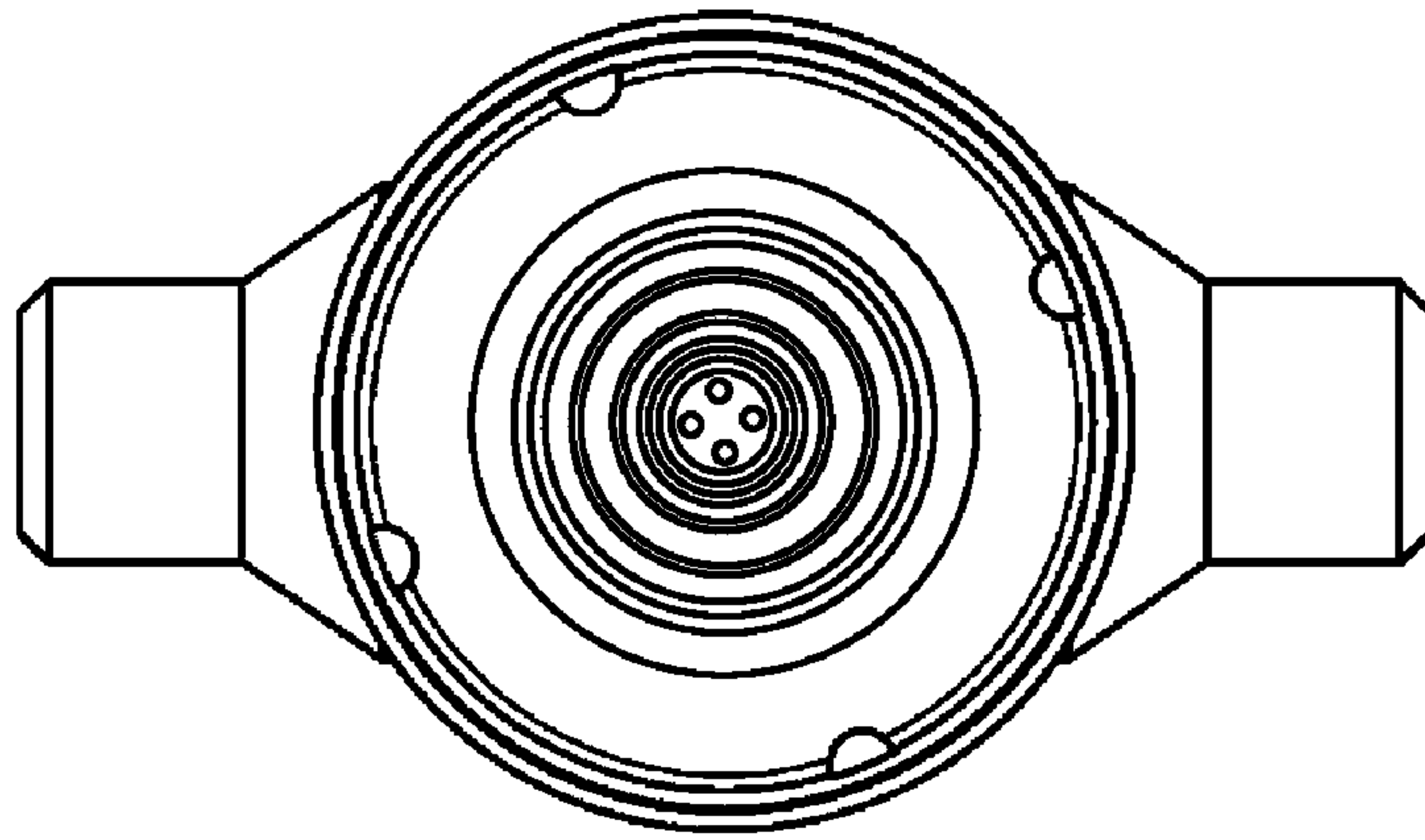


FIG. 6

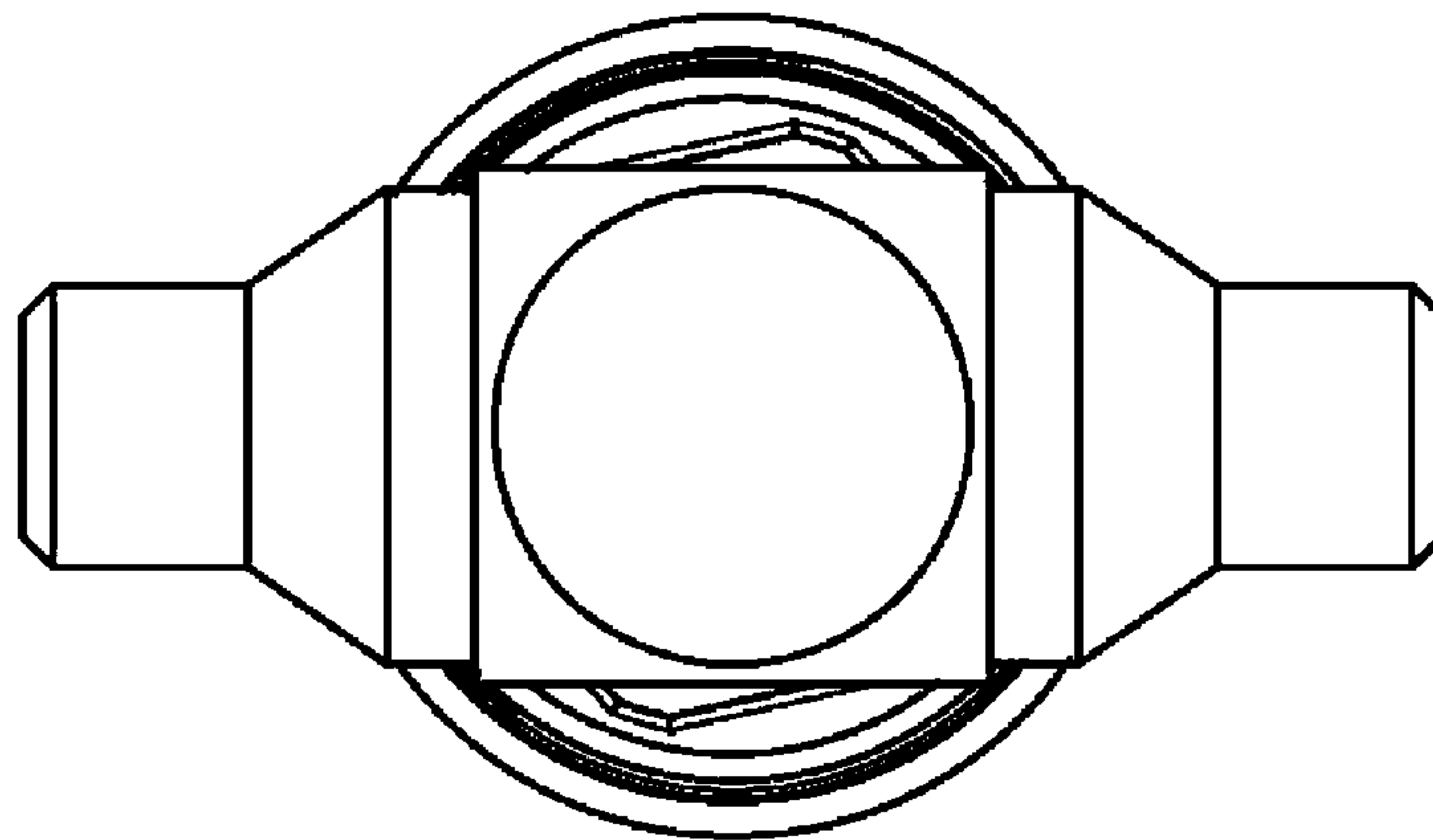


FIG. 7

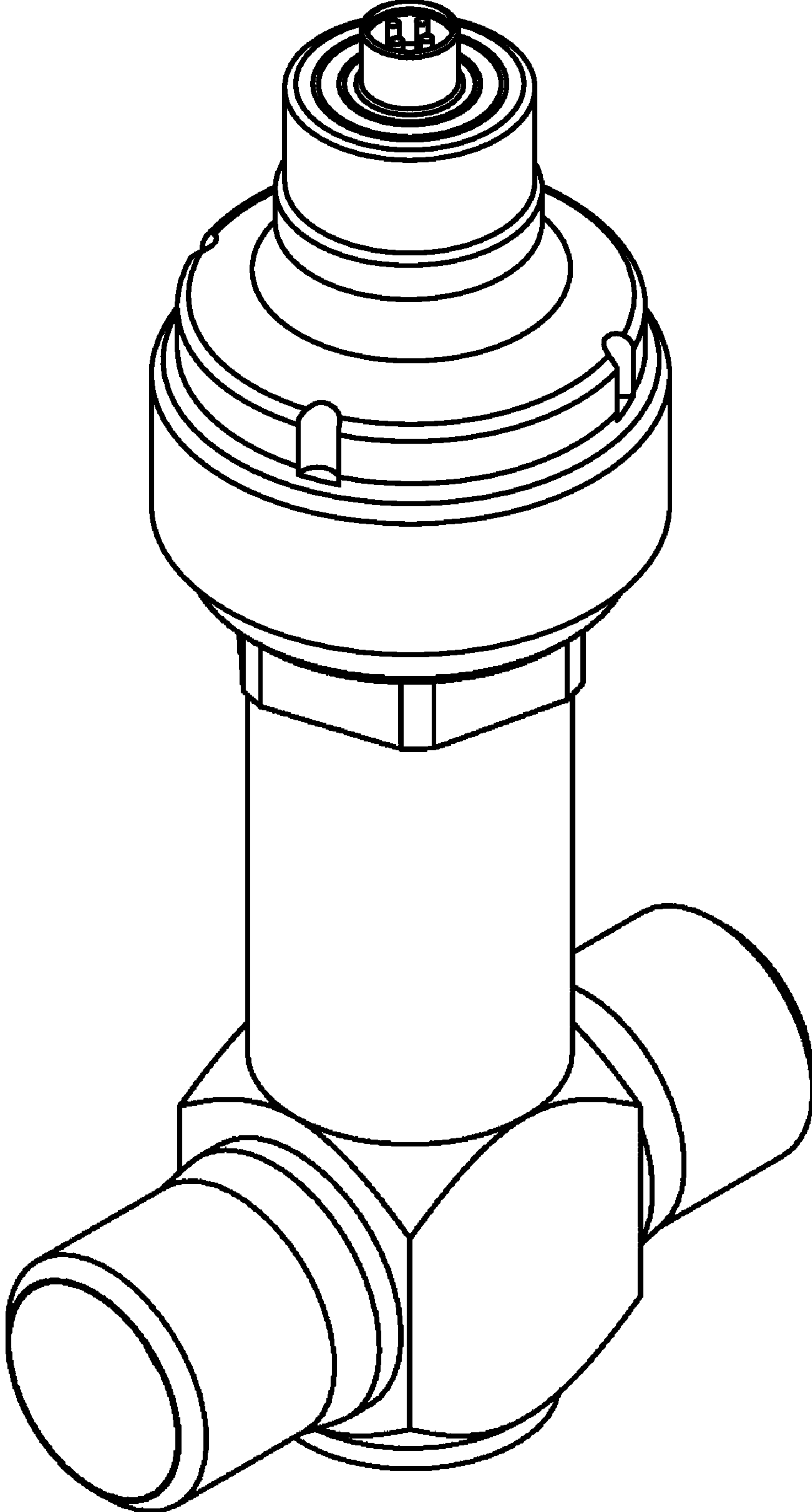


FIG. 8

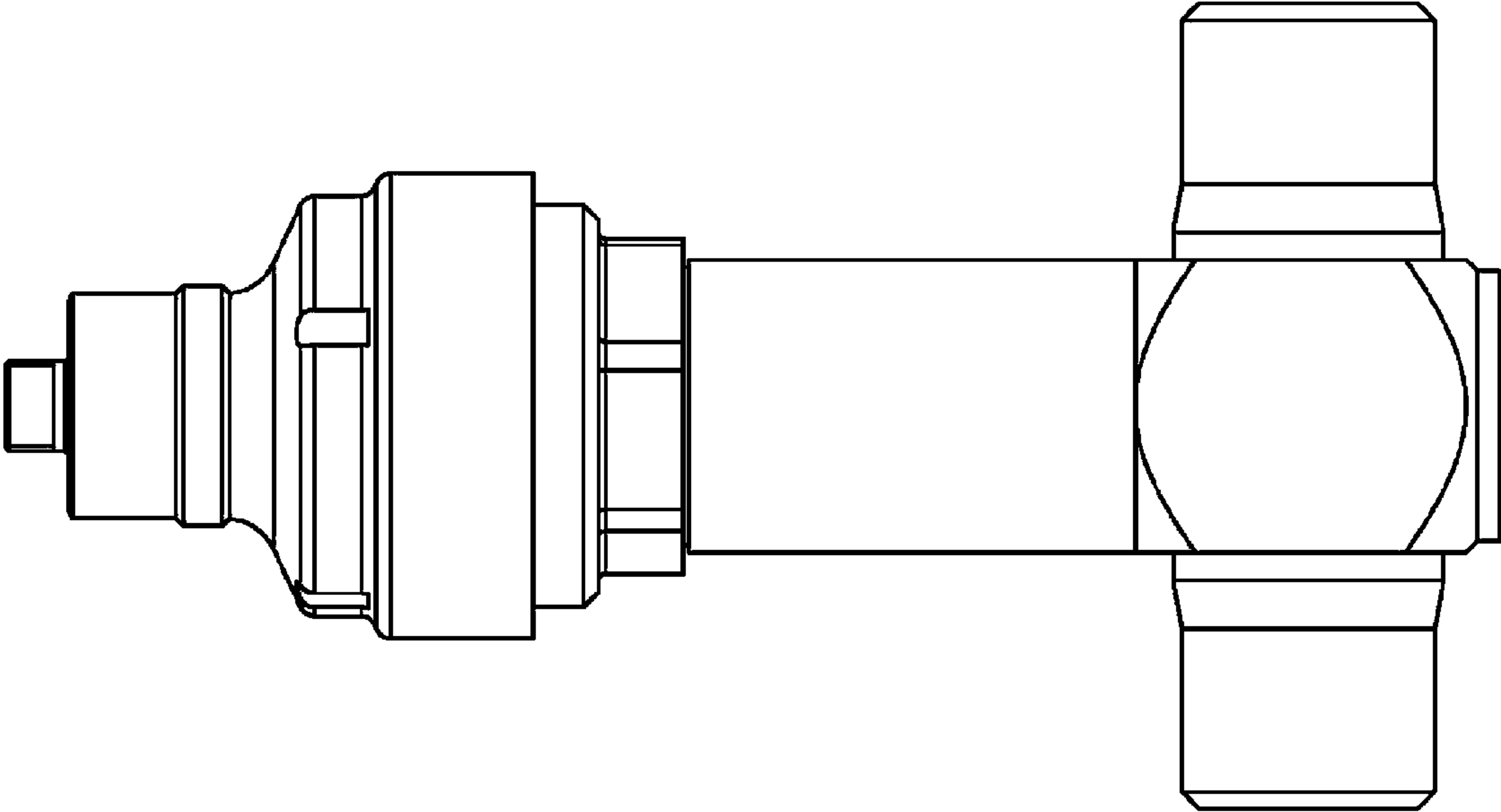


FIG. 10

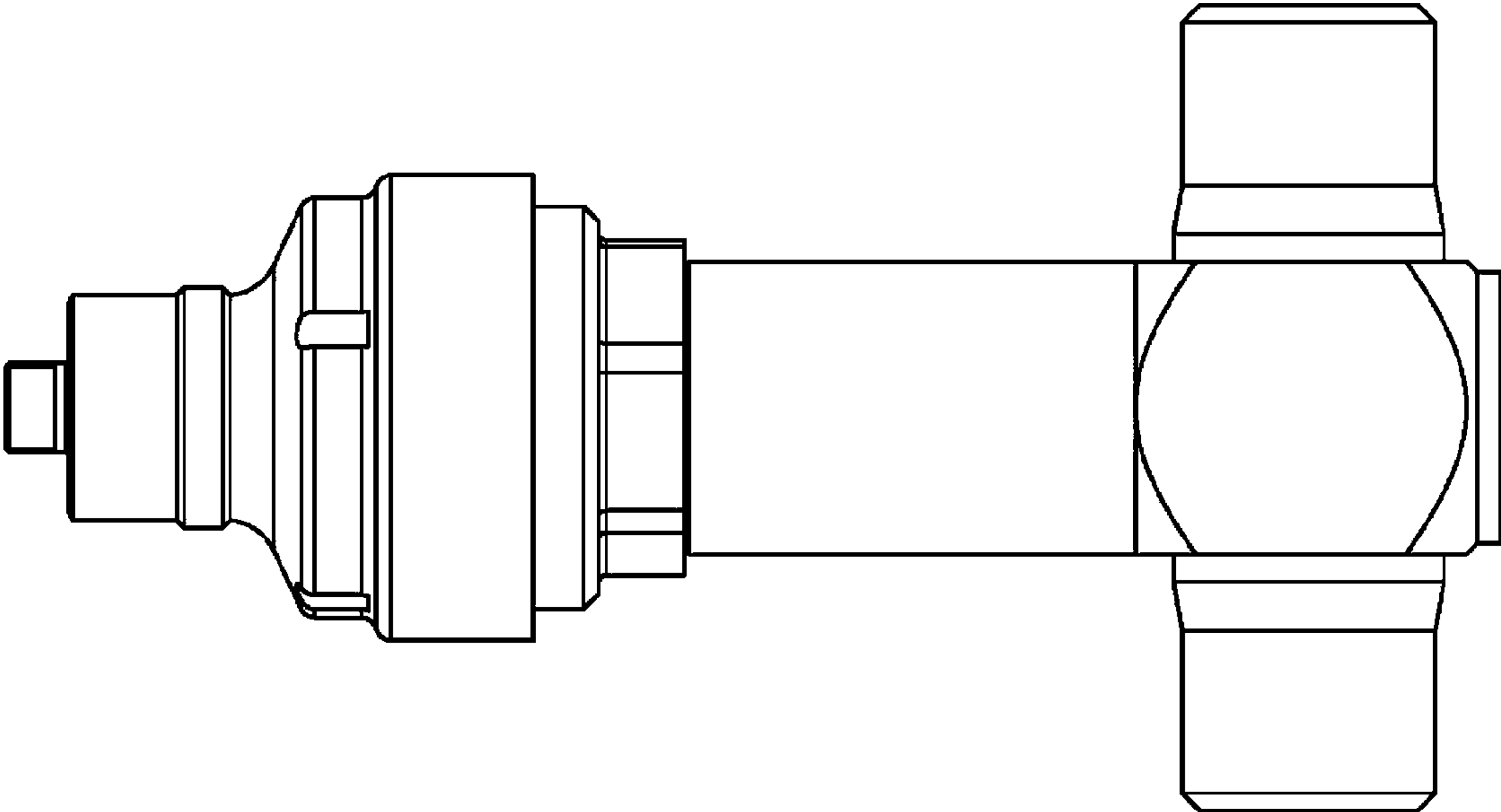


FIG. 9

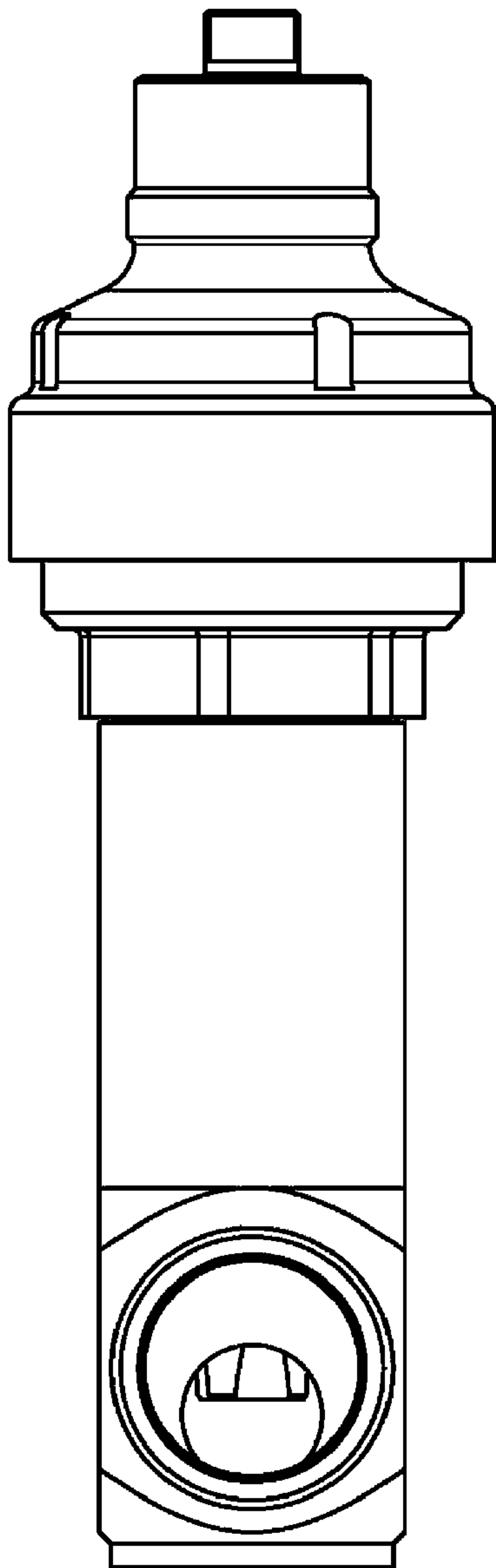


FIG. 11

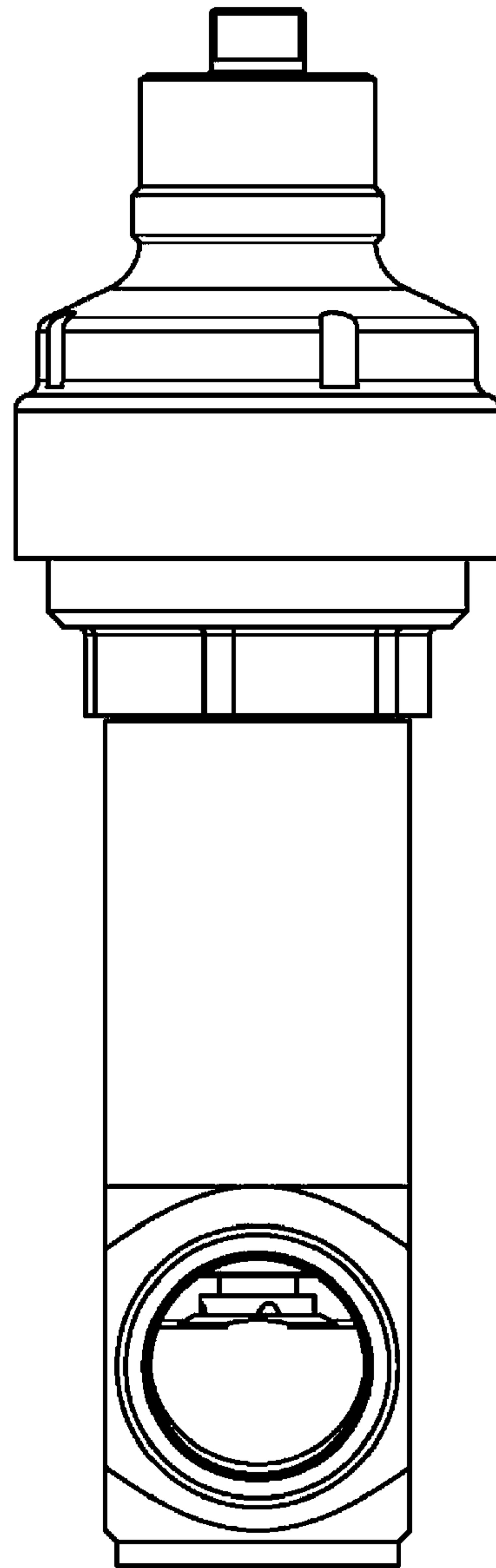


FIG. 12

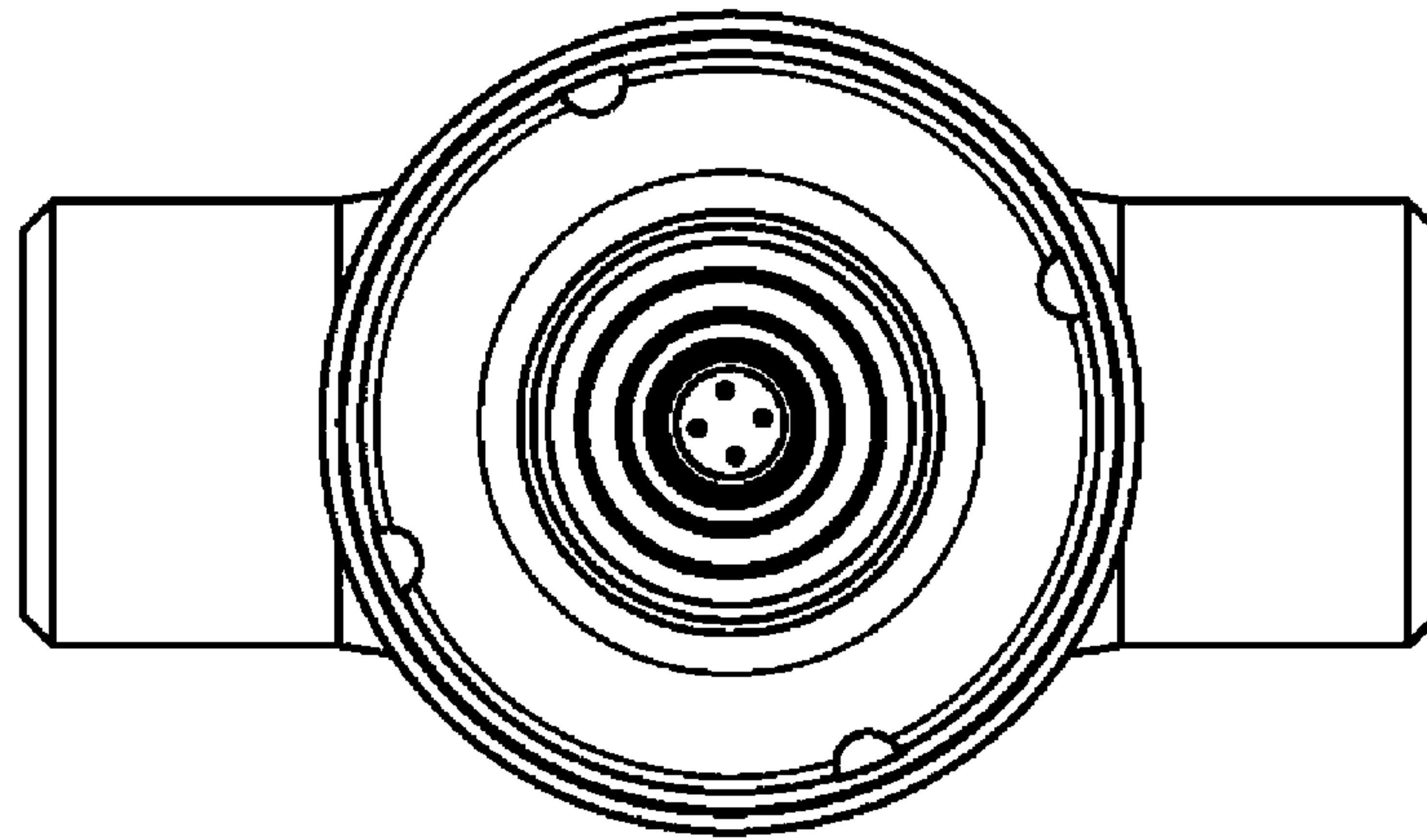


FIG. 13

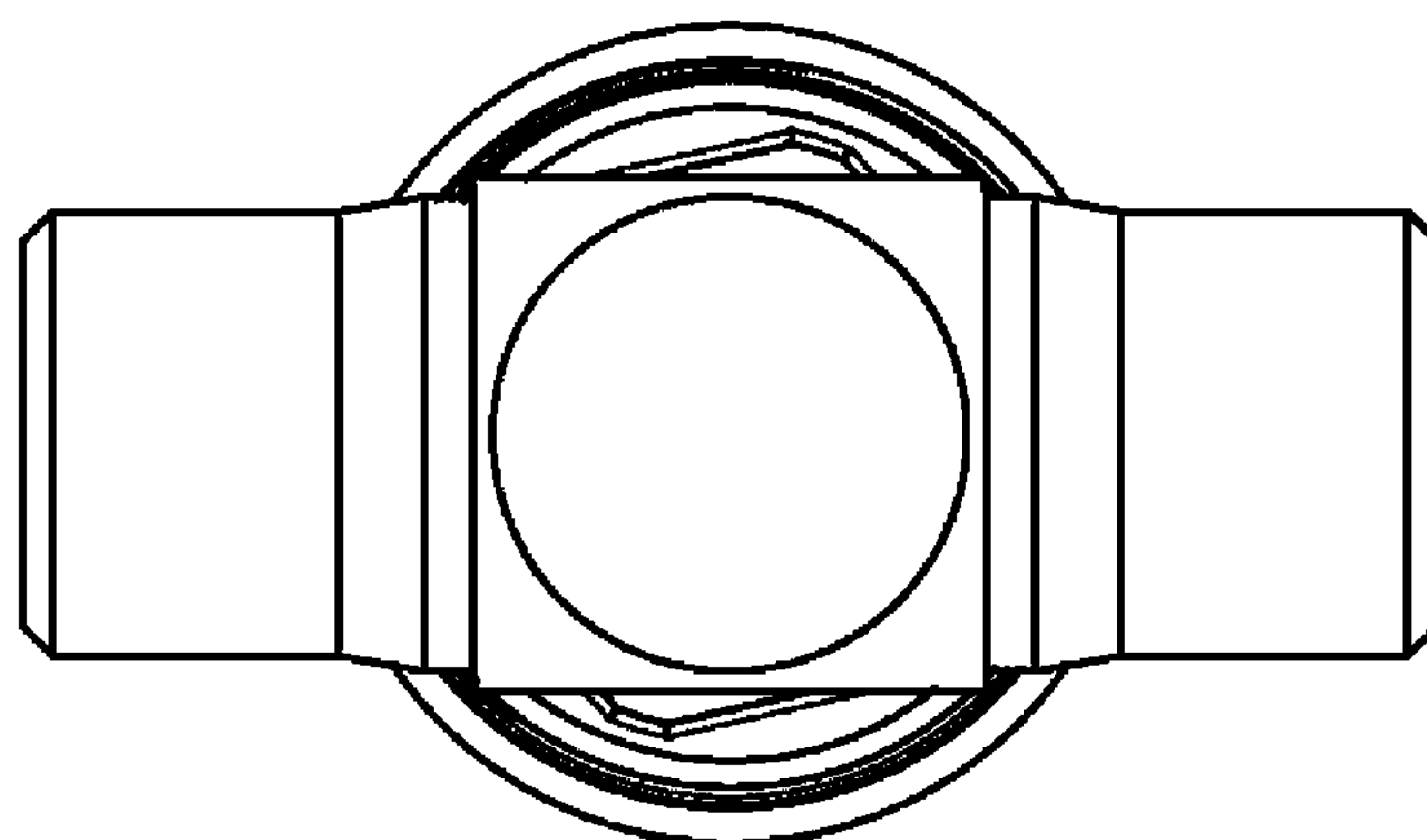


FIG. 14