



US00D646752S

(12) **United States Design Patent**
Krayer et al.

(10) **Patent No.:** **US D646,752 S**
(45) **Date of Patent:** **** Oct. 11, 2011**

(54) **STATION FOR PAINT SPRAY GUN**

(56) **References Cited**

(75) Inventors: **Elmar Krayer**, Langenargen (DE);
Alfred Göhring, Salem (DE); **Thomas**
Jeltsch, Friedrichshafen (DE); **Jens**
Ulbrich, Friedrichshafen (DE);
Christoph Welte, Überlingen (DE)

U.S. PATENT DOCUMENTS

5,478,014	A *	12/1995	Hynds	239/135
5,667,141	A *	9/1997	Suttner	239/332
6,412,707	B1 *	7/2002	Wirz	239/154
6,488,846	B1 *	12/2002	Marangi	210/232
6,945,438	B1 *	9/2005	Shih et al.	222/608
7,121,484	B2 *	10/2006	Daley	239/754

(73) Assignee: **J. Wagner GmbH**, Markdorf (DE)

* cited by examiner

(**) Term: **14 Years**

Primary Examiner — Robin V Webster

(21) Appl. No.: **29/375,825**

(74) *Attorney, Agent, or Firm* — Burr & Brown

(22) Filed: **Sep. 28, 2010**

(57) **CLAIM**

The ornamental design for a station for paint spray gun, as shown and described.

(30) **Foreign Application Priority Data**

DESCRIPTION

Sep. 24, 2010 (EM) 001759051

FIG. 1 is front perspective view of a station for paint spray gun illustrating our new design;
FIG. 2 a left side view thereof;
FIG. 3 is right side view thereof;
FIG. 4 is a rear side view thereof;
FIG. 5 is a front view thereof;
FIG. 6 is a top plan view thereof; and,
FIG. 7 is a bottom plan view thereof.

(51) **LOC (9) Cl.** **23-01**

(52) **U.S. Cl.** **D23/225**

(58) **Field of Classification Search** D23/213,
D23/225; 239/526, 332-333, DIG. 14; 248/121,
248/125.1, 125.8

See application file for complete search history.

1 Claim, 7 Drawing Sheets

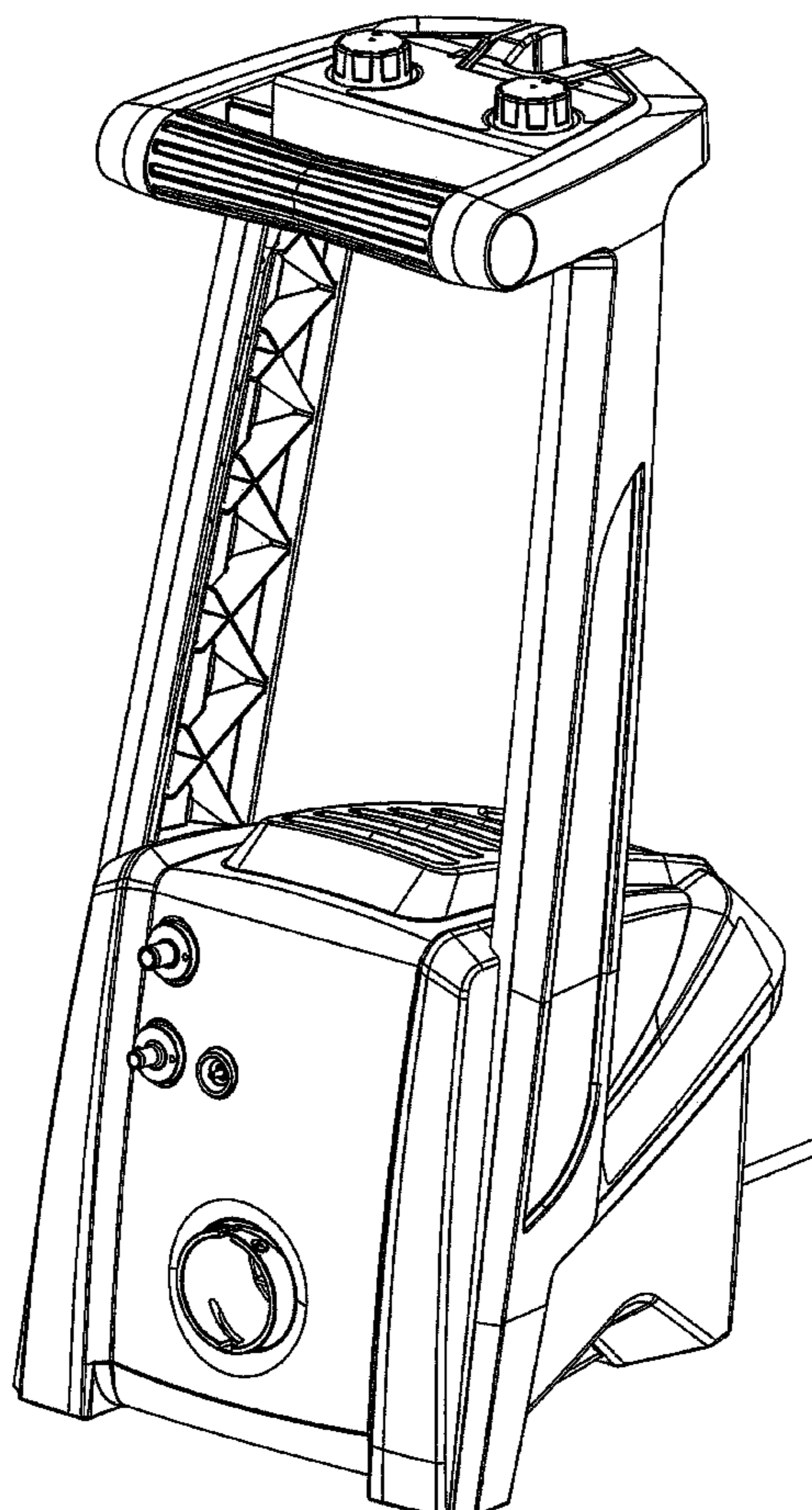


Fig. 1

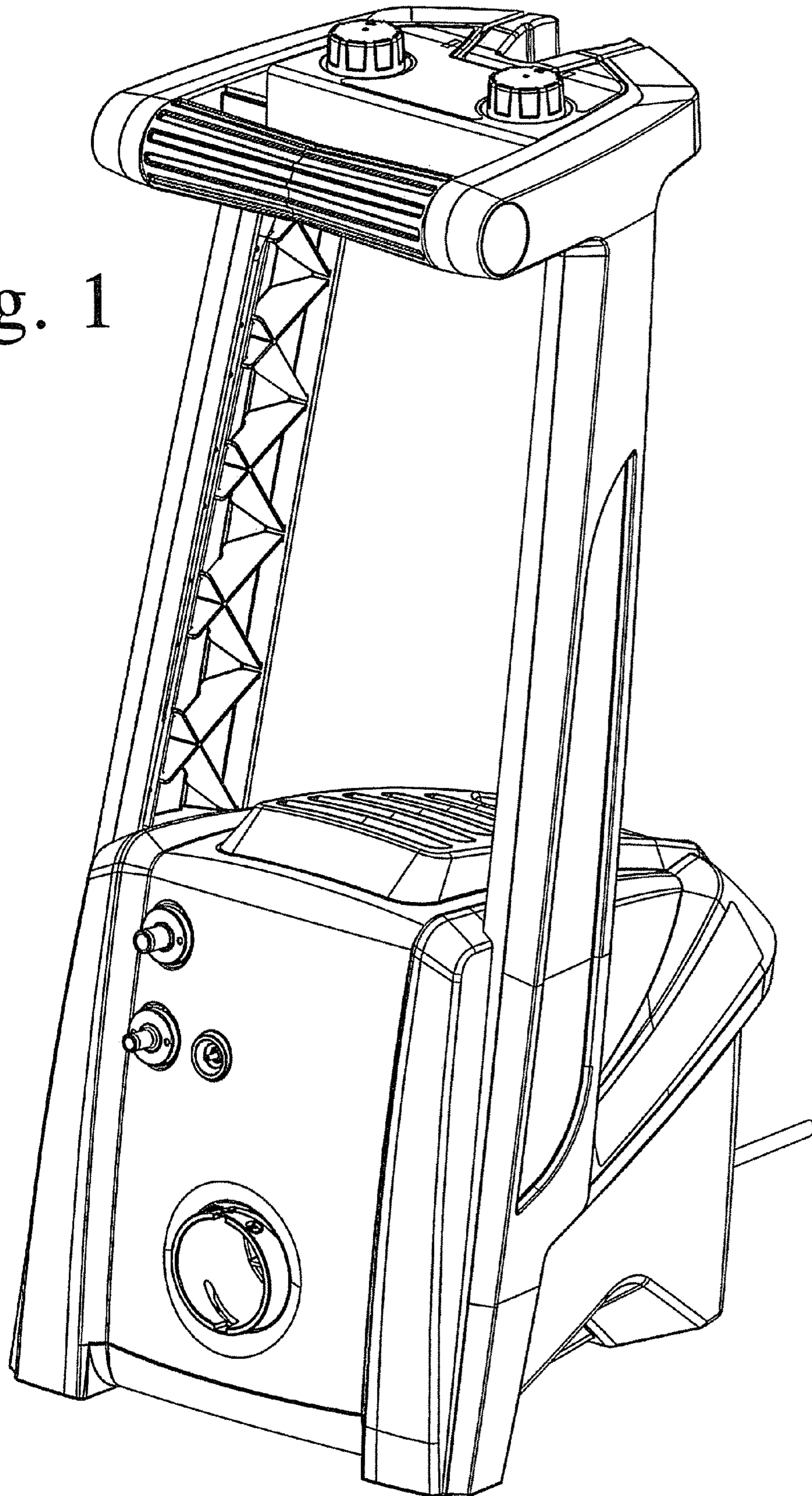


Fig. 2

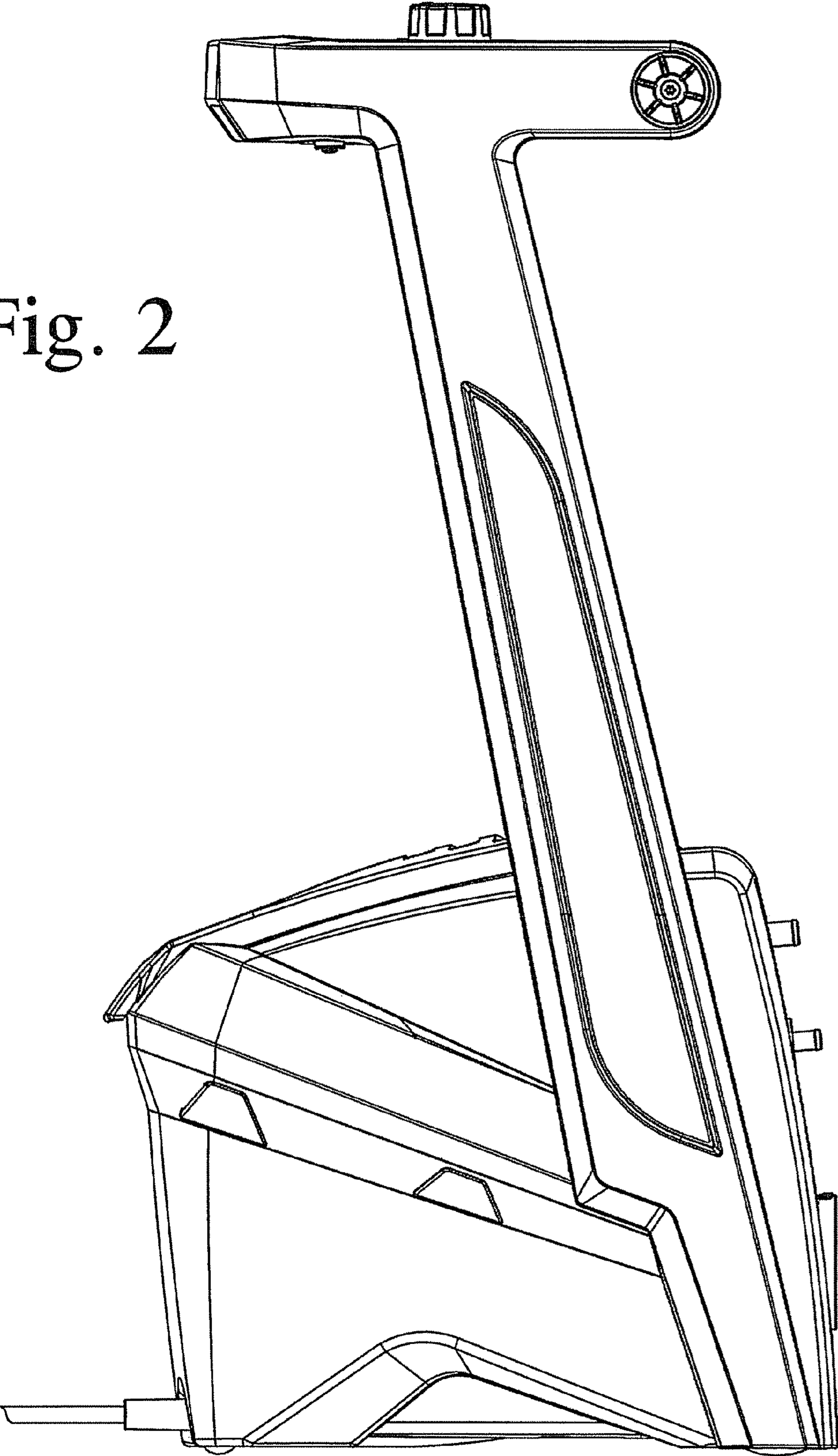
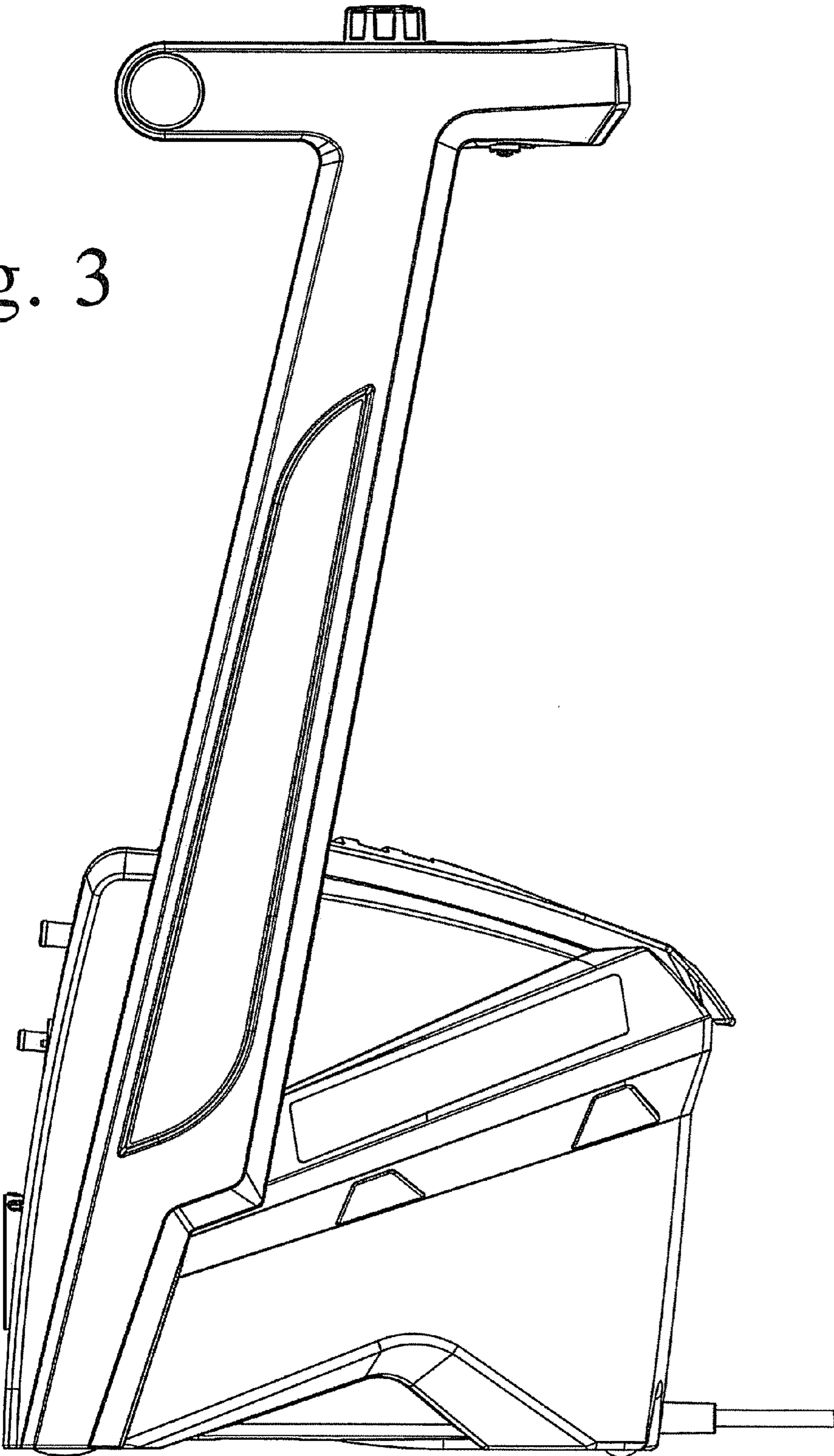


Fig. 3



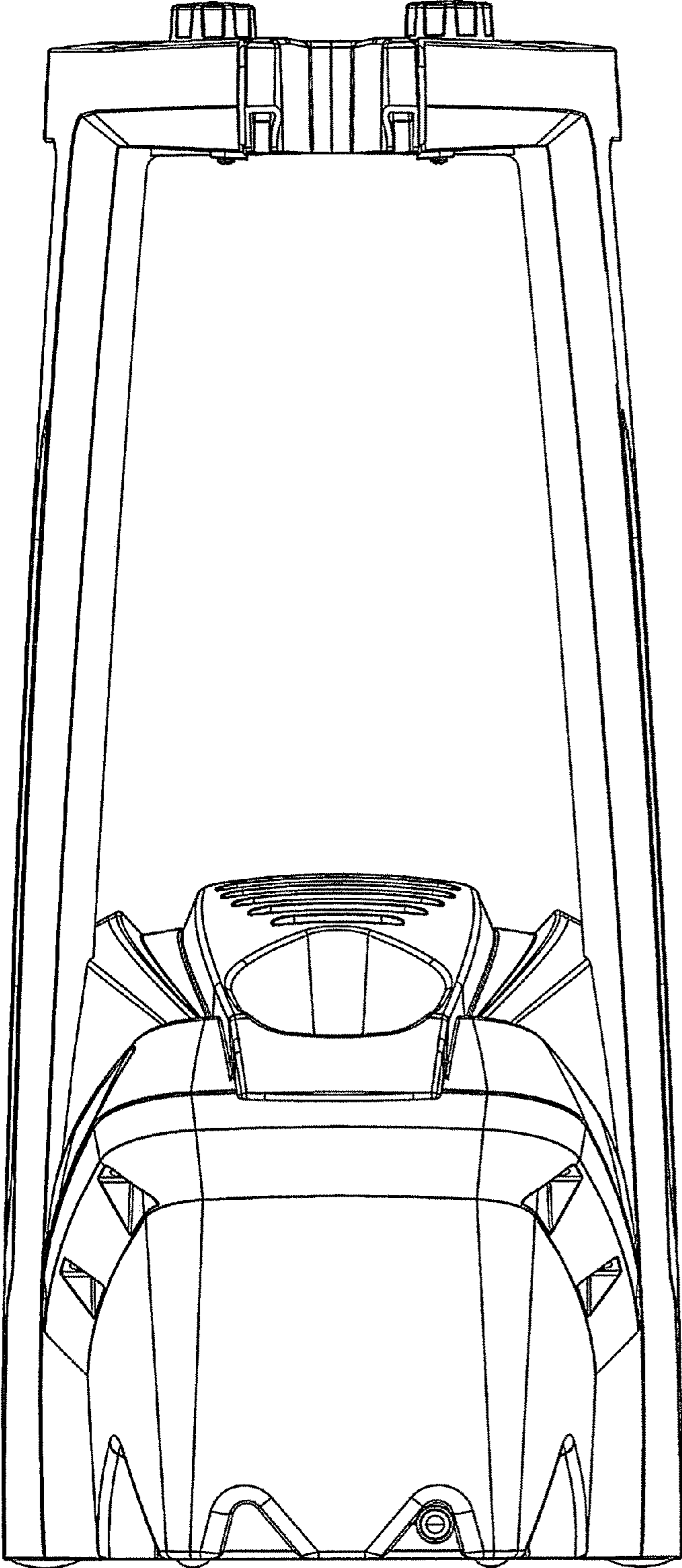


Fig. 4

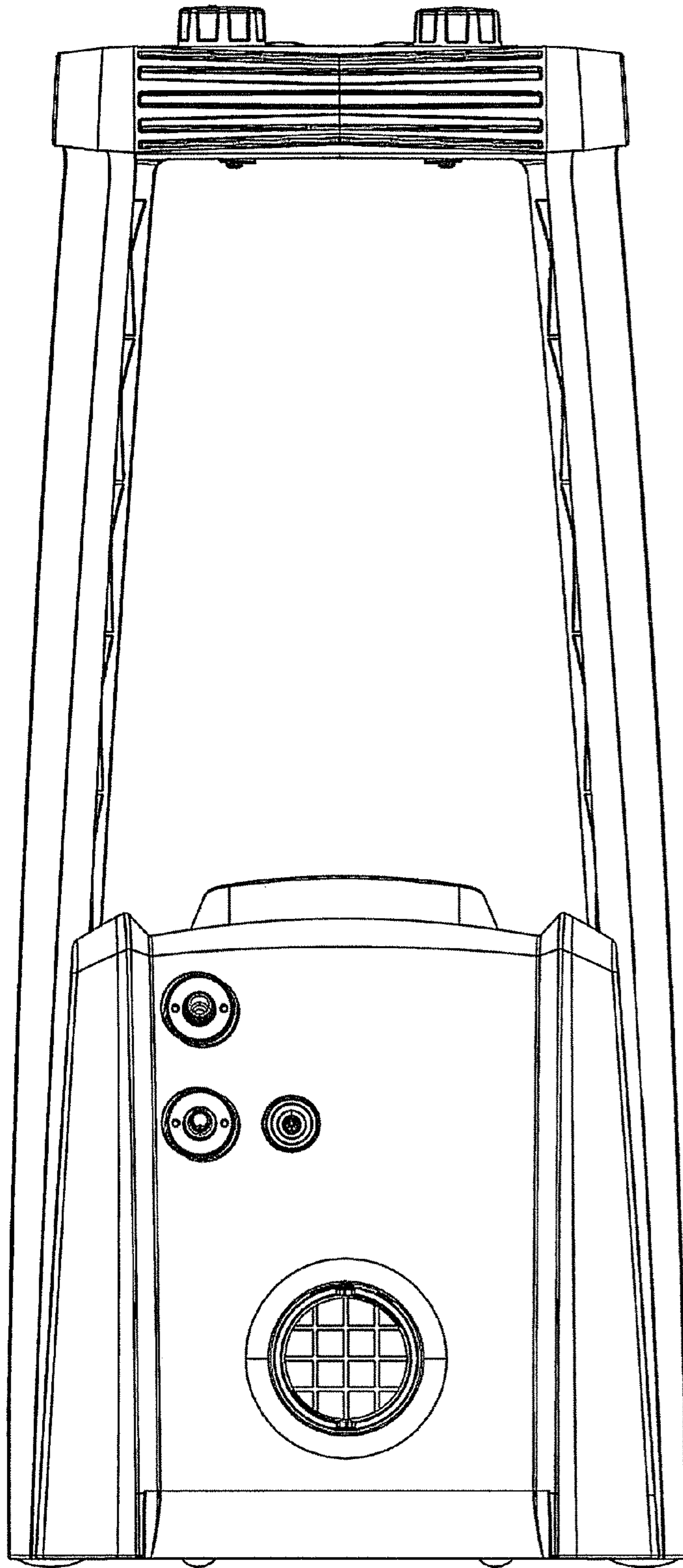


Fig. 5

Fig. 6

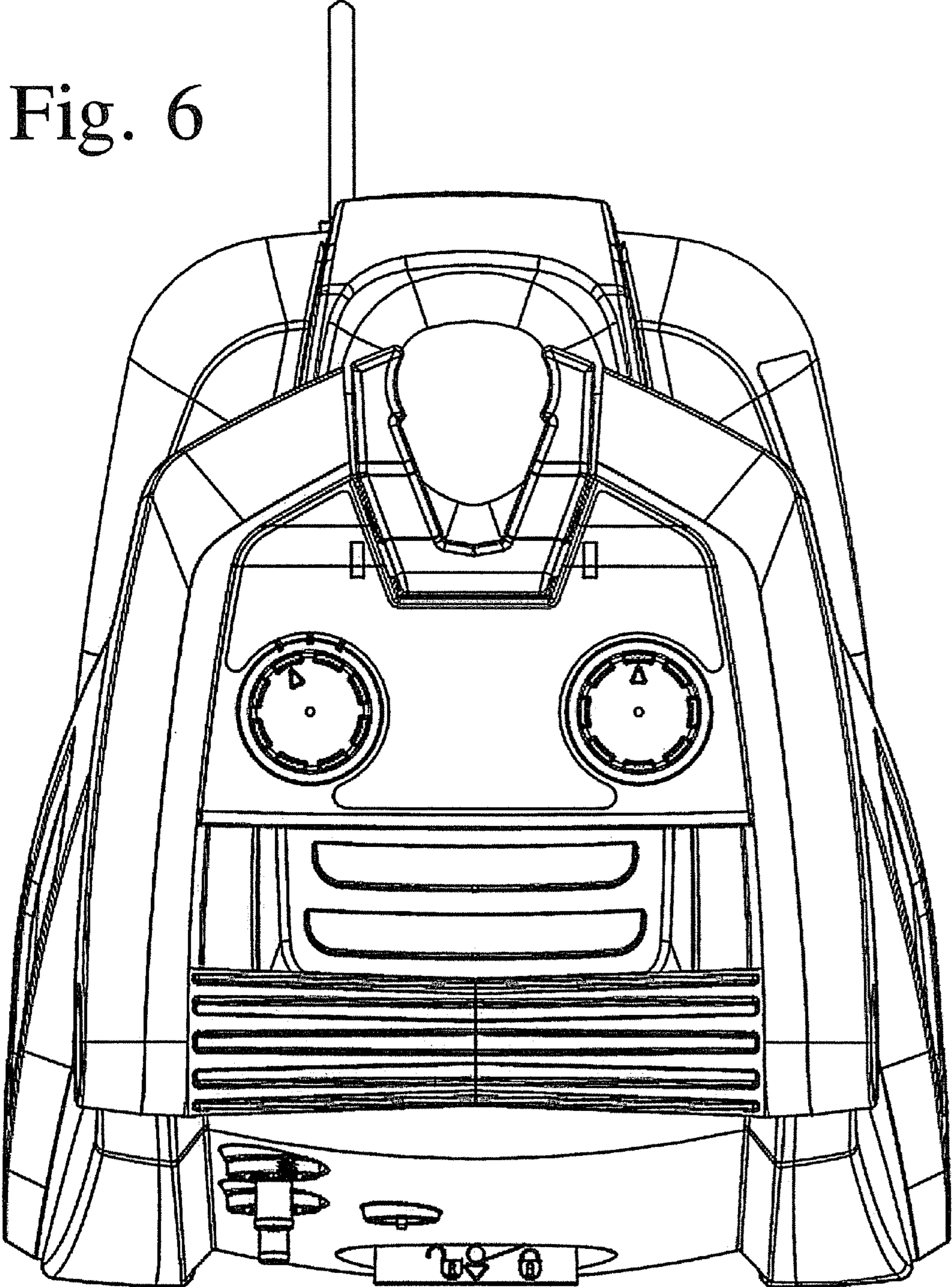


Fig. 7

