



US00D646749S

(12) **United States Design Patent**
Morad

(10) **Patent No.:** **US D646,749 S**
(45) **Date of Patent:** **** Oct. 11, 2011**

(54) **COMBINED WATER DISPENSER AND
FILTER CARTRIDGE**

(75) Inventor: **Dror Morad, Or-Yehuda (IL)**

(73) Assignee: **Tana Industries Company Ltd., Haela (IL)**

(**) Term: **14 Years**

(21) Appl. No.: **29/332,201**

(22) Filed: **Feb. 11, 2009**

(30) **Foreign Application Priority Data**

Feb. 3, 2009 (IL) 47191

(51) **LOC (9) Cl.** **23-01**

(52) **U.S. Cl.** **D23/209**

(58) **Field of Classification Search** D23/207-210;
D7/300, 301, 305-308, 310-313; 55/476;
222/185.1; 99/275, 280, 285, 293, 295, 300,
99/302 P, 304, 306, 323.1; 210/97, 198.1,
210/205-206, 231, 244-246, 257.1-257.2,
210/258, 260-261, 275, 282, 287-290, 338,
210/476, 600, 748.01, 748.05

See application file for complete search history.

(56) **References Cited**

U.S. PATENT DOCUMENTS

D317,545 S * 6/1991 Lambert et al. D7/307
D326,977 S * 6/1992 Larson D7/313

D351,014 S * 9/1994 Hansen D23/209
5,647,416 A * 7/1997 Desrosiers et al. 141/351
D405,157 S * 2/1999 Hayes et al. D23/209
7,470,364 B2 * 12/2008 Oranski et al. 210/198.1
D601,847 S * 10/2009 Gammack et al. D7/306
7,645,381 B2 * 1/2010 Oranski et al. 210/198.1
7,703,382 B2 * 4/2010 Oranski et al. 99/295

* cited by examiner

Primary Examiner — Joel A. Sincavage

Assistant Examiner — Maurice Stevens

(74) *Attorney, Agent, or Firm* — Nelson Mullins Riley &
Scarborough LLP; Anthony A. Laurentano

(57) **CLAIM**

The ornamental design for a combined water dispenser and filter cartridge, as shown and described.

DESCRIPTION

FIG. 1 is a front perspective view of a combined water dispenser and filter cartridge;

FIG. 2 is a back perspective view thereof;

FIG. 3 is a front view thereof;

FIG. 4 is a back view thereof;

FIG. 5 is a top view thereof;

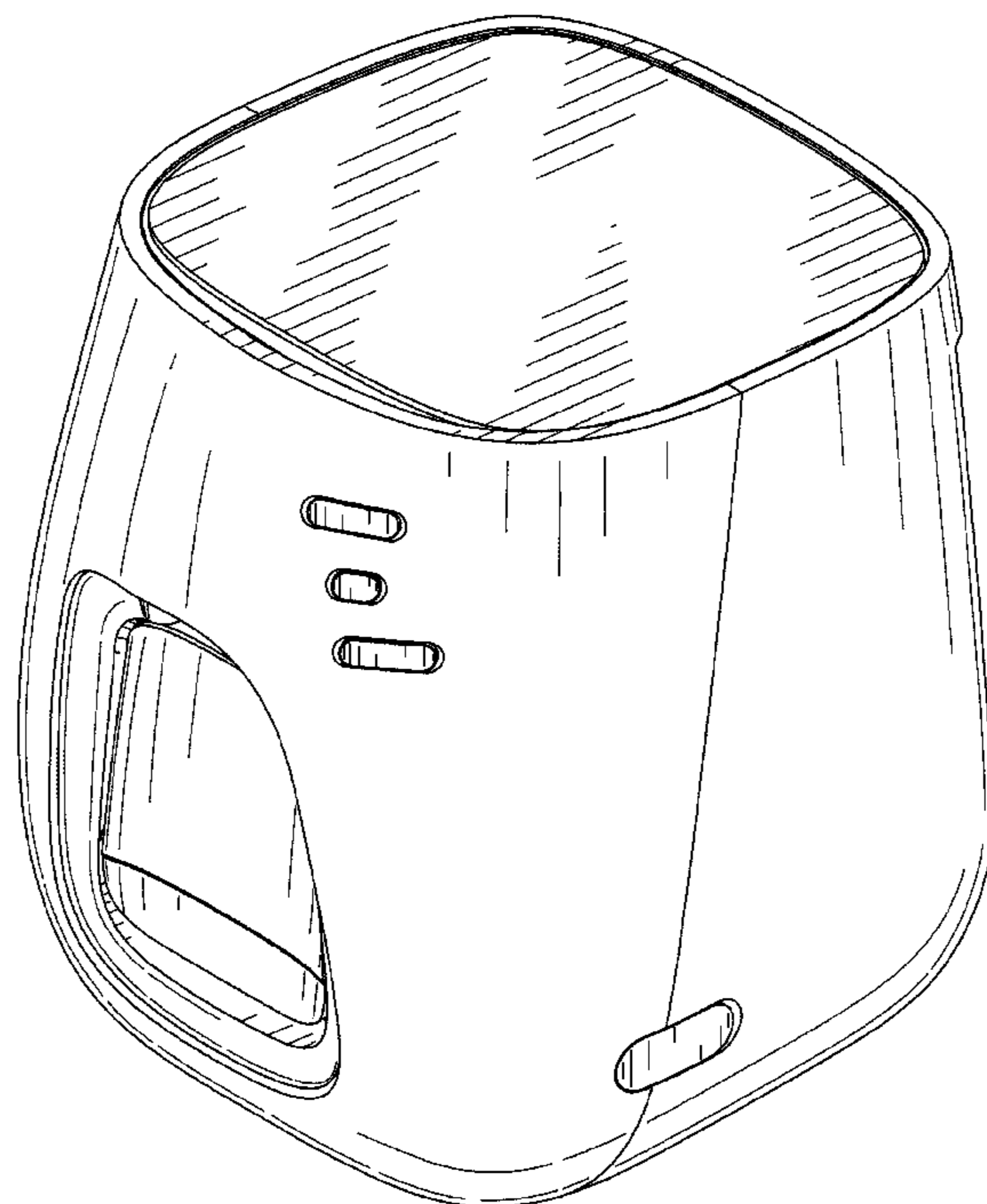
FIG. 6 is a bottom view thereof;

FIG. 7 is a left side view thereof; and,

FIG. 8 is a right side view thereof.

The broken line showing of portions of the combined water dispenser and filter cartridge forms no part of the claimed design.

1 Claim, 8 Drawing Sheets



PERSPECTIVE VIEW

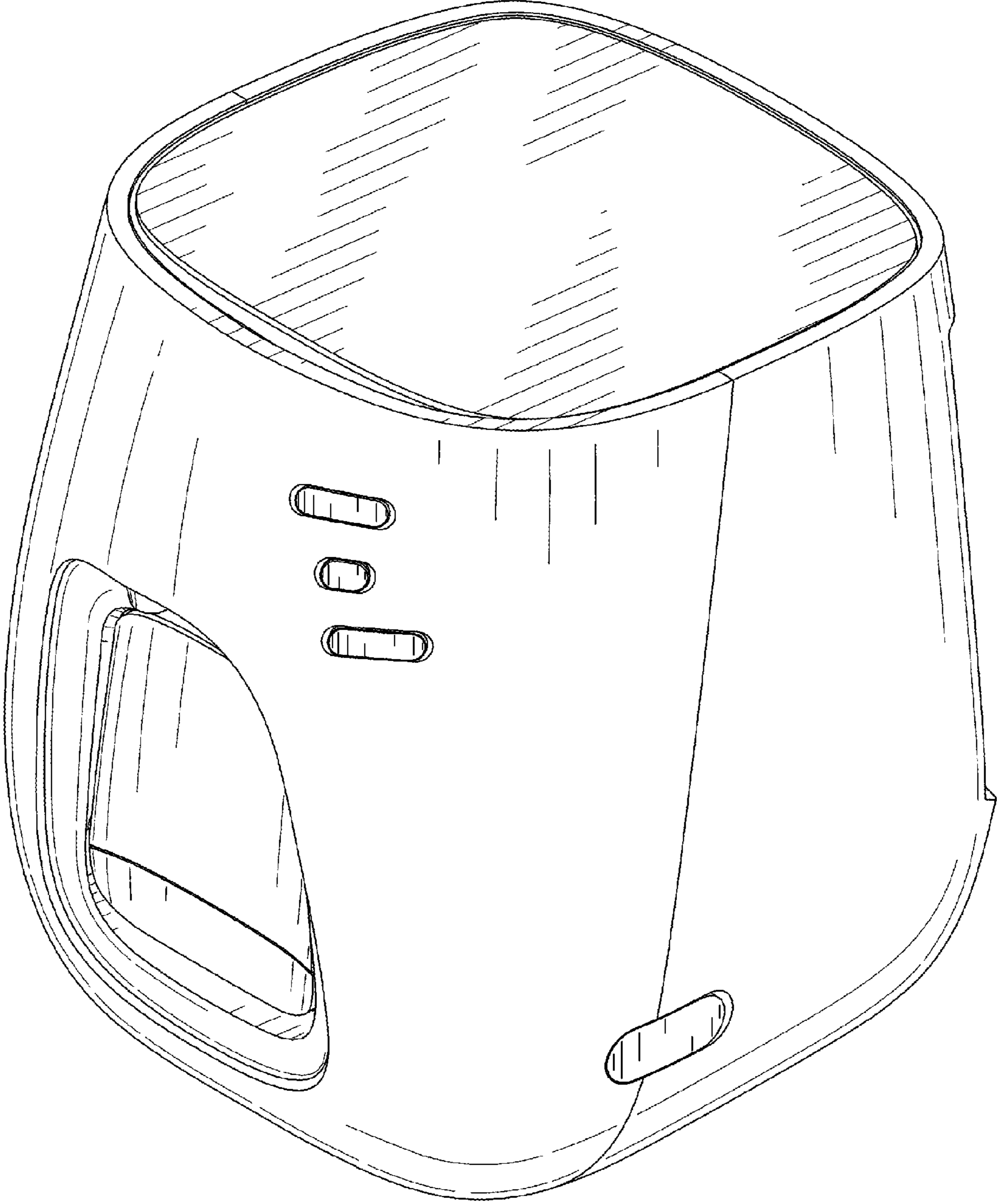


Figure 1
PERSPECTIVE VIEW

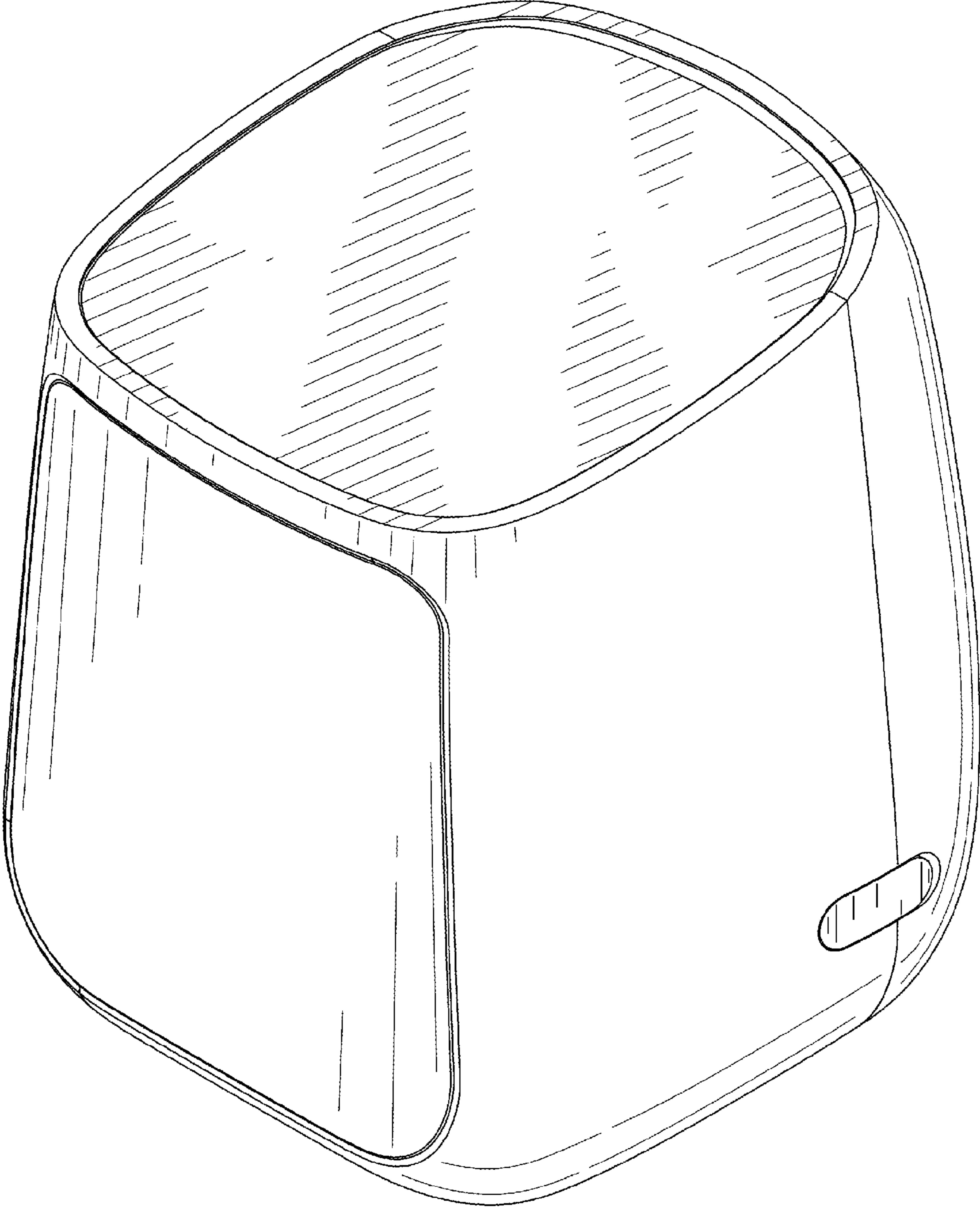


Figure 2
PERSPECTIVE VIEW

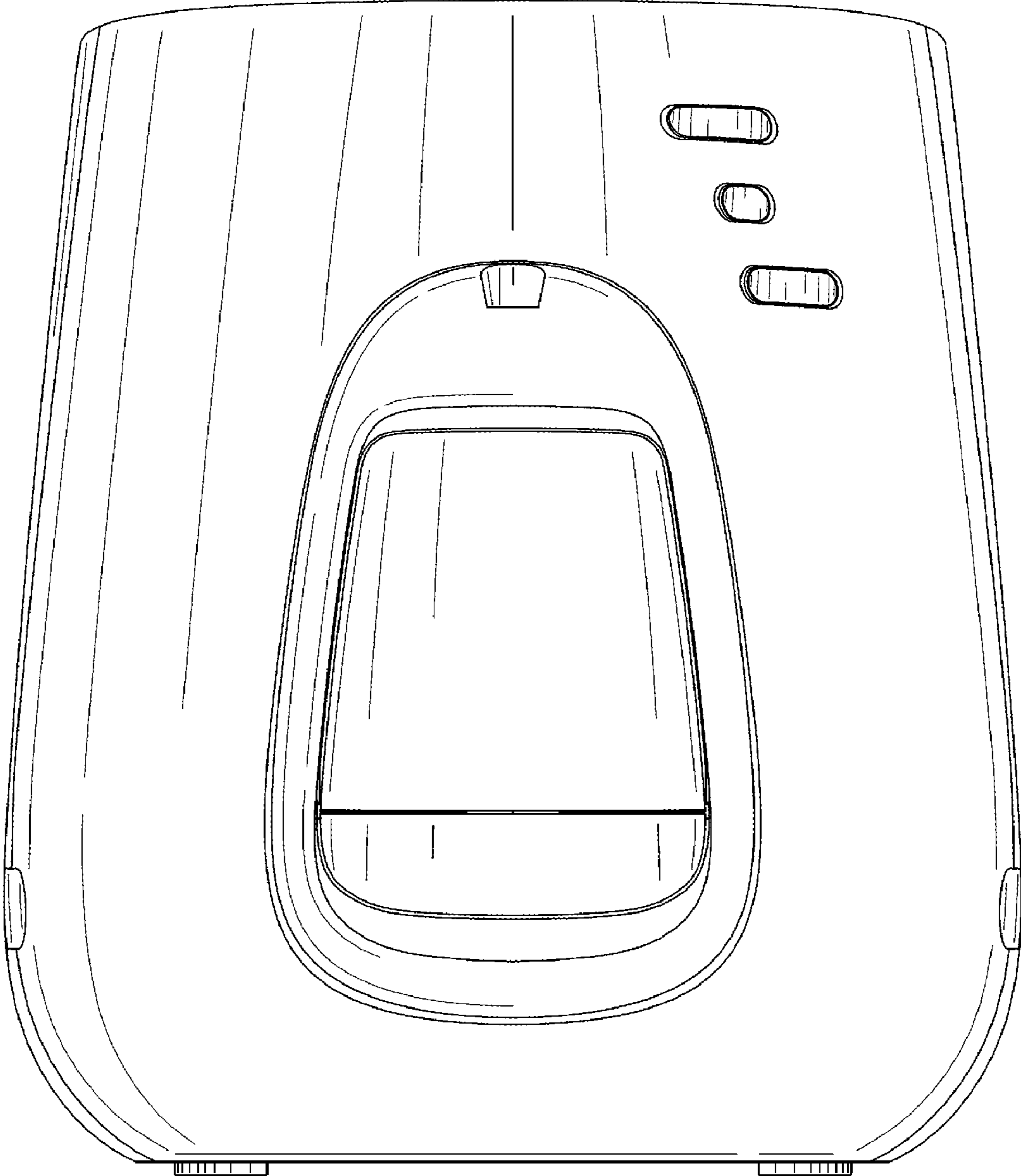


Figure 3
FRONT VIEW

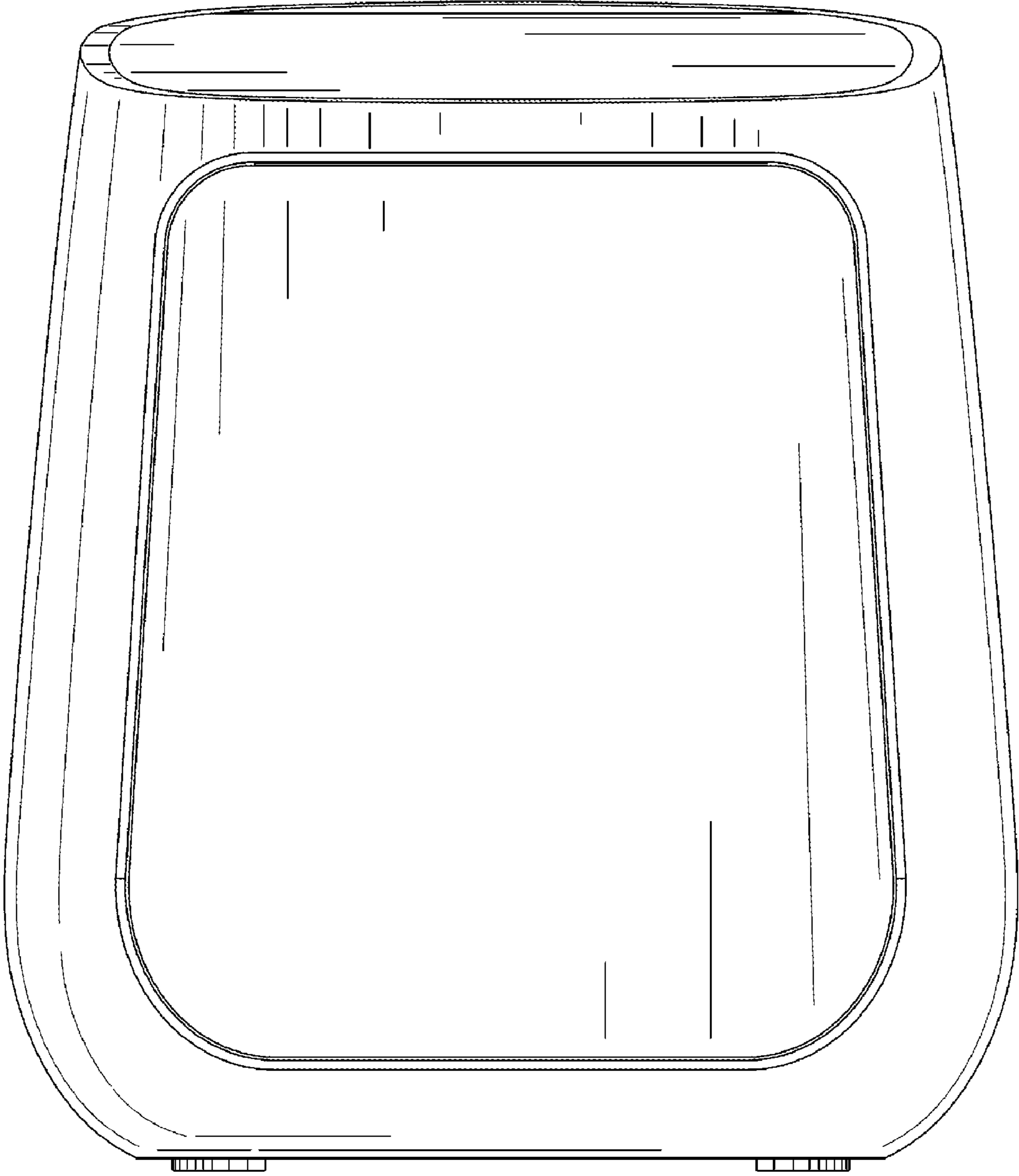


Figure 4
REAR VIEW

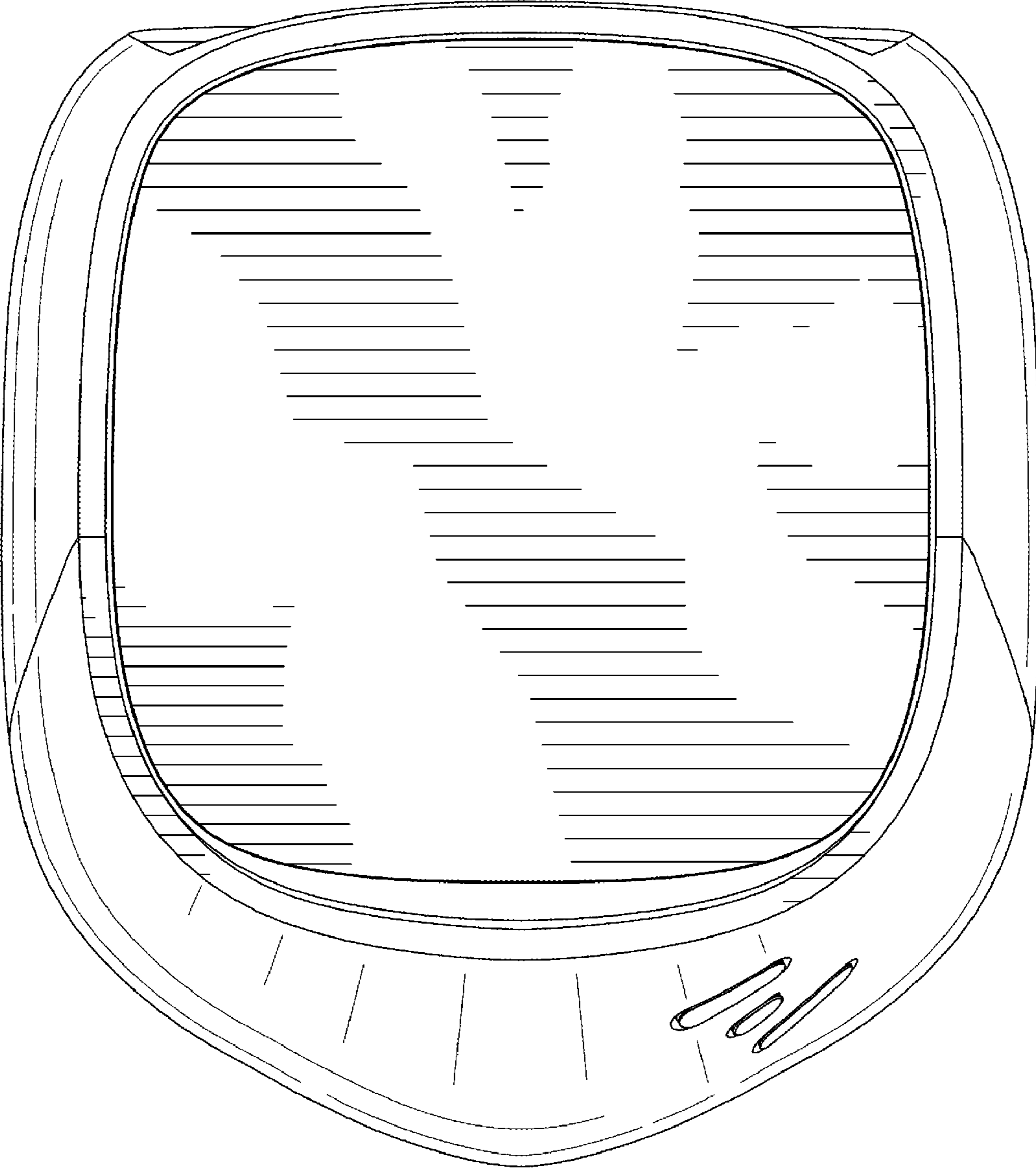


Figure 5
TOP VIEW

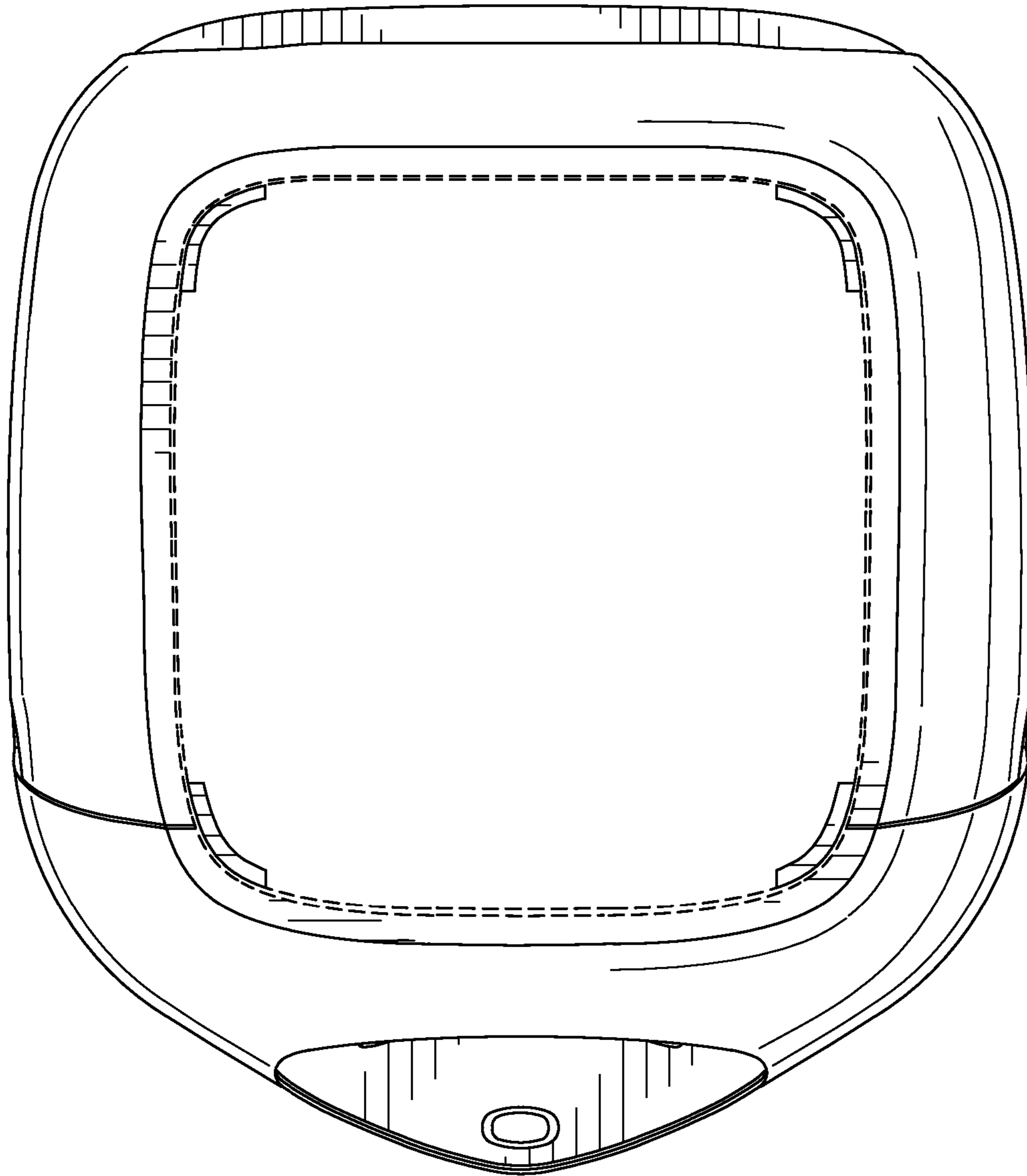


Figure 6
BOTTOM VIEW

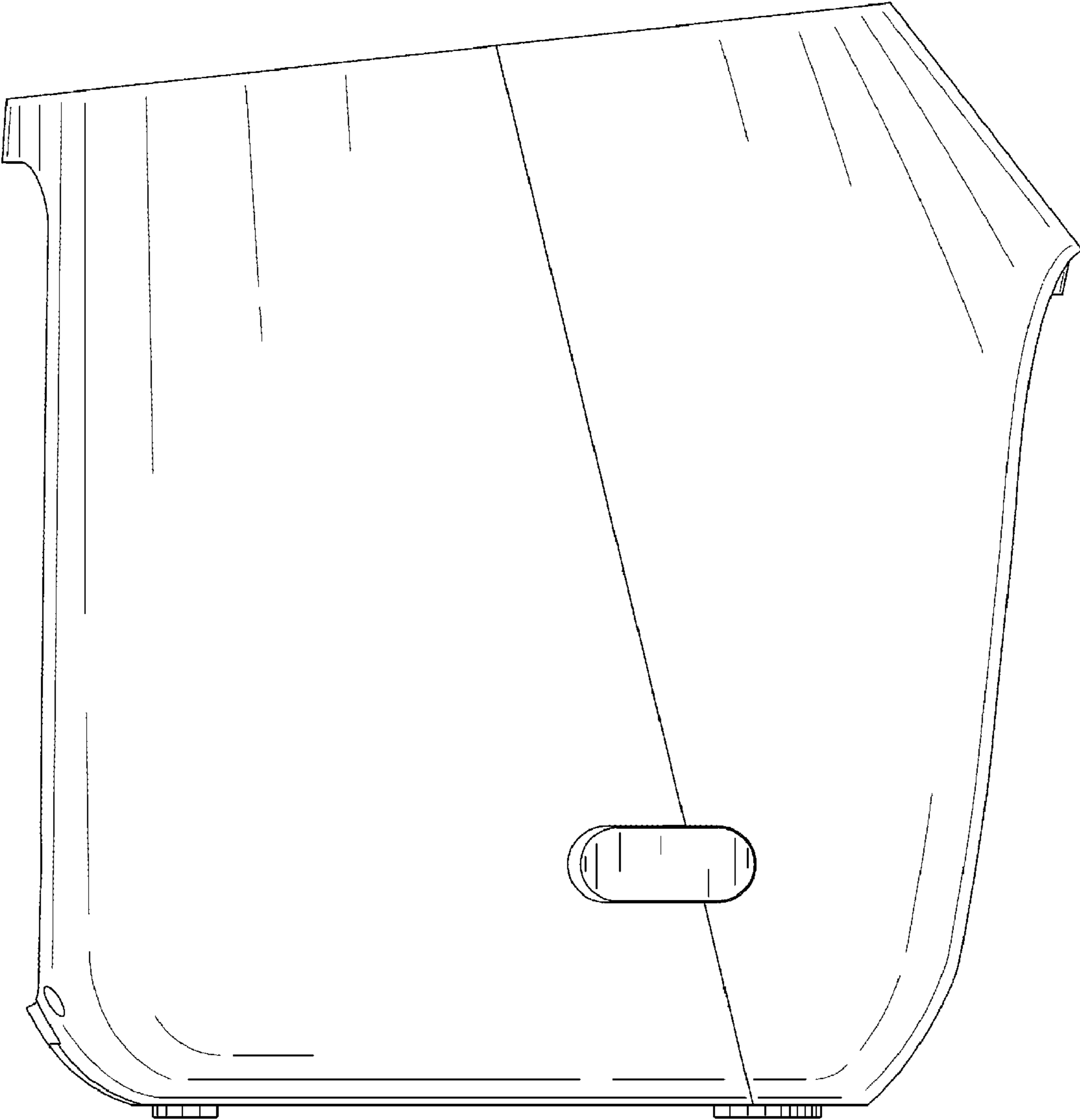


Figure 7
SIDE VIEW

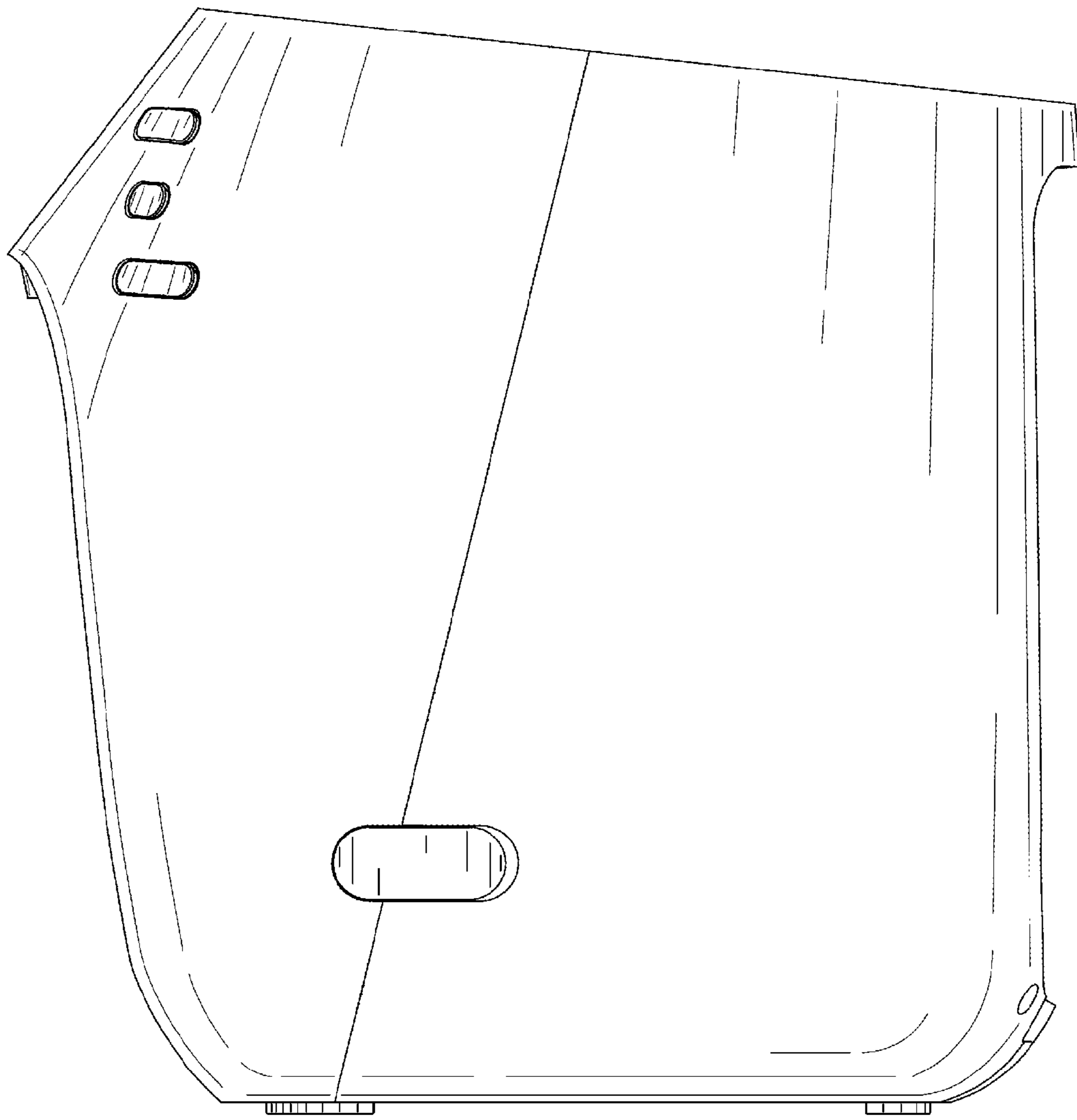


Figure 8
SIDE VIEW