



US00D646748S

(12) **United States Design Patent**
Boudreaux

(10) **Patent No.:** **US D646,748 S**

(45) **Date of Patent:** **** Oct. 11, 2011**

(54) **FISHING ROD HOLDER WITH ALARM**

7,434,348 B1 10/2008 Welch
D620,069 S * 7/2010 Ashley D22/134

(76) Inventor: **Roy Boudreaux**, Candor, NY (US)

* cited by examiner

(**) Term: **14 Years**

Primary Examiner — Catheri Oliver

(21) Appl. No.: **29/385,414**

(74) *Attorney, Agent, or Firm* — Crossley Patent Law; Mark A. Crossley

(22) Filed: **Feb. 14, 2011**

(57) **CLAIM**

(51) **LOC (9) Cl.** **22-05**

The ornamental design for a fishing rod holder with alarm, as shown and described.

(52) **U.S. Cl.** **D22/148**

(58) **Field of Classification Search** D22/148,
D22/147; 43/17, 16, 21.2; 248/532, 545,
248/530–531

DESCRIPTION

See application file for complete search history.

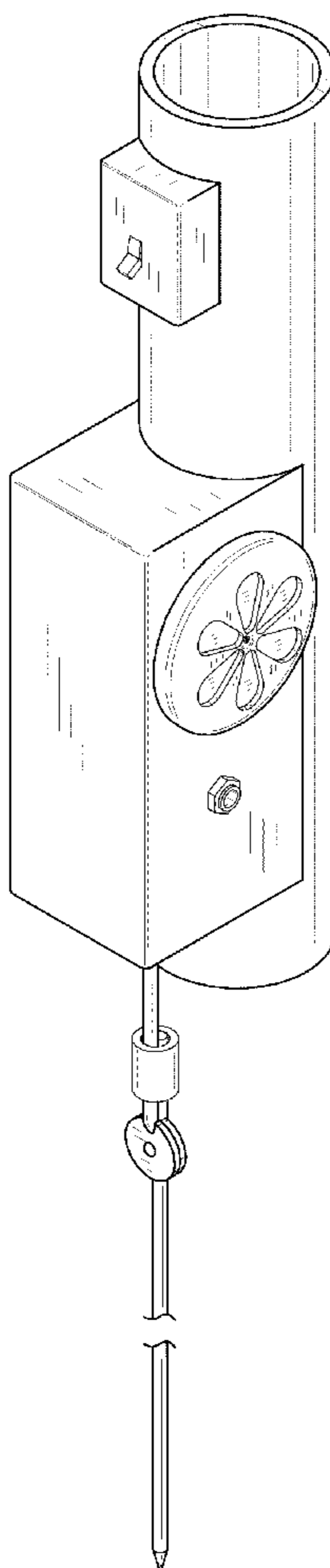
FIG. 1 is a right elevation view of a fishing rod holder with alarm showing my new design;
FIG. 2 is a left elevation view thereof;
FIG. 3 is a front elevation view thereof;
FIG. 4 is a rear elevation view thereof;
FIG. 5 is a top plan view thereof;
FIG. 6 is a bottom plan view thereof; and,
FIG. 7 is an isometric view thereof.
FIGS. 1-4 and 7 are shown broken away to indicate indeterminate length.

(56) **References Cited**

U.S. PATENT DOCUMENTS

3,713,131	A	1/1973	Marshall	
3,888,034	A	6/1975	McGuire	
4,510,709	A	4/1985	Melcher	
D389,555	S *	1/1998	Johnson D22/148
D434,101	S *	11/2000	Allen D22/148
D496,428	S *	9/2004	Spriggs, Jr. D22/148

1 Claim, 3 Drawing Sheets



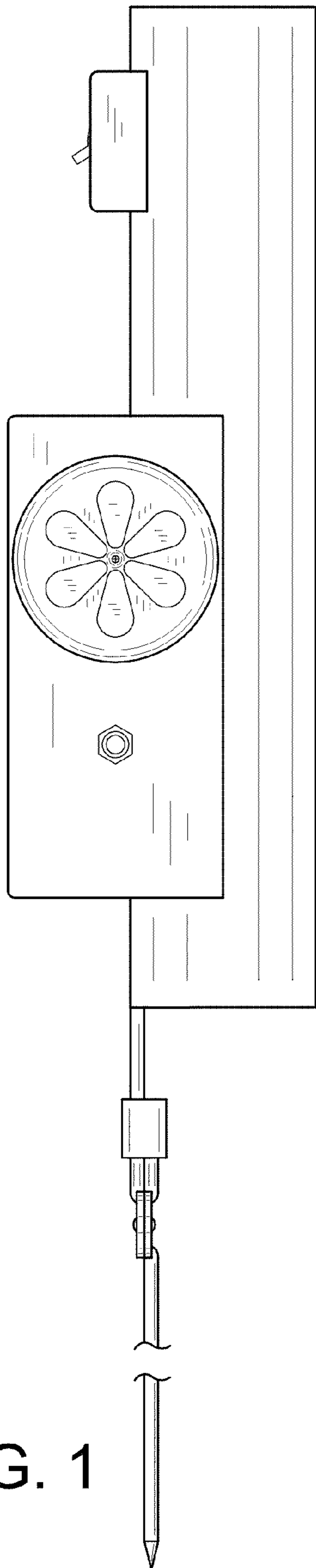


FIG. 1

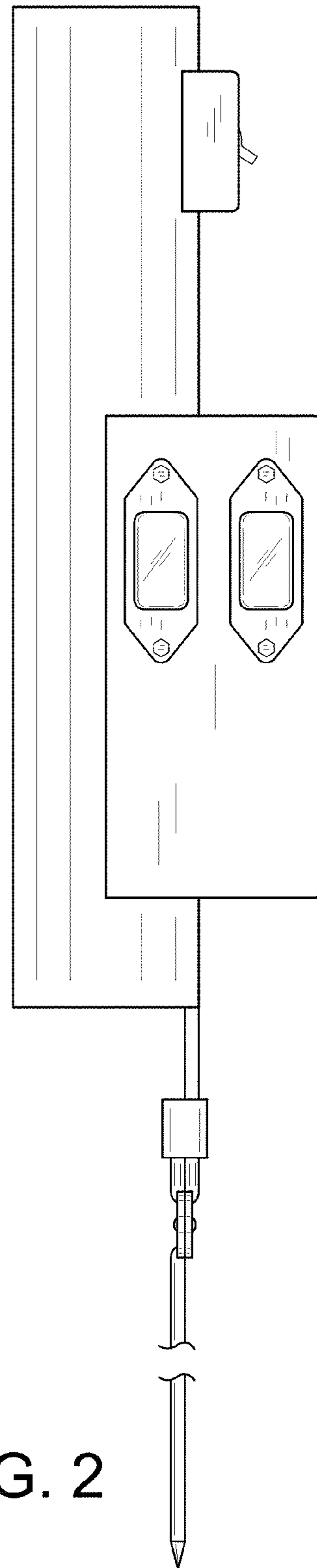


FIG. 2

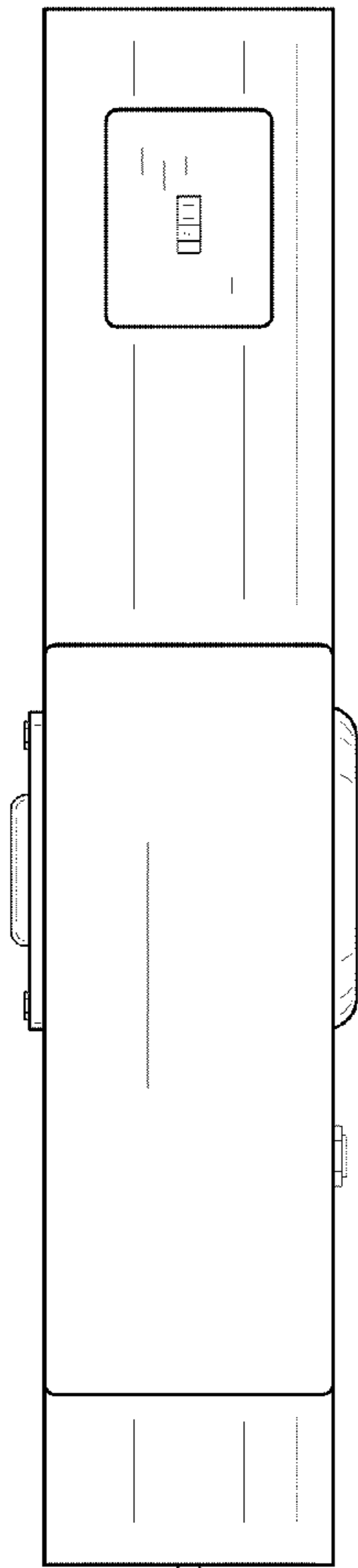


FIG. 3

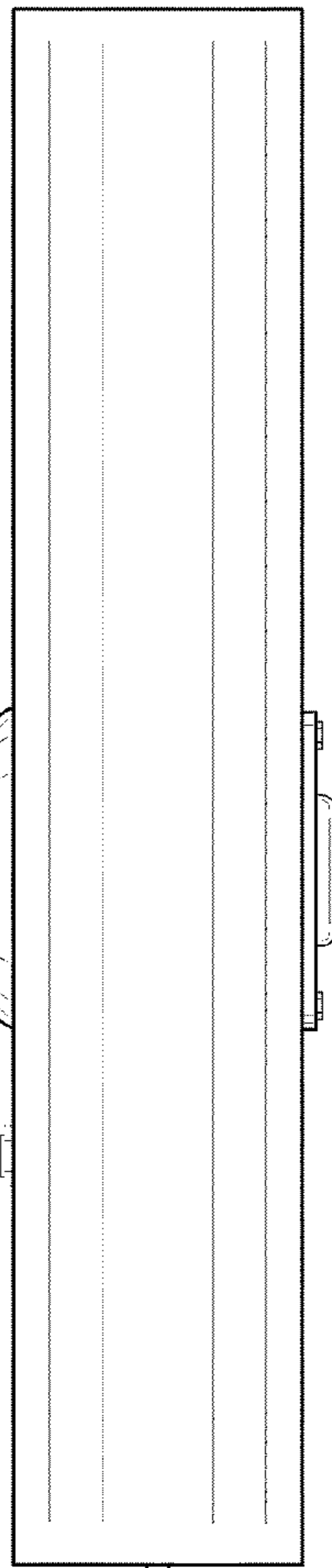


FIG. 4

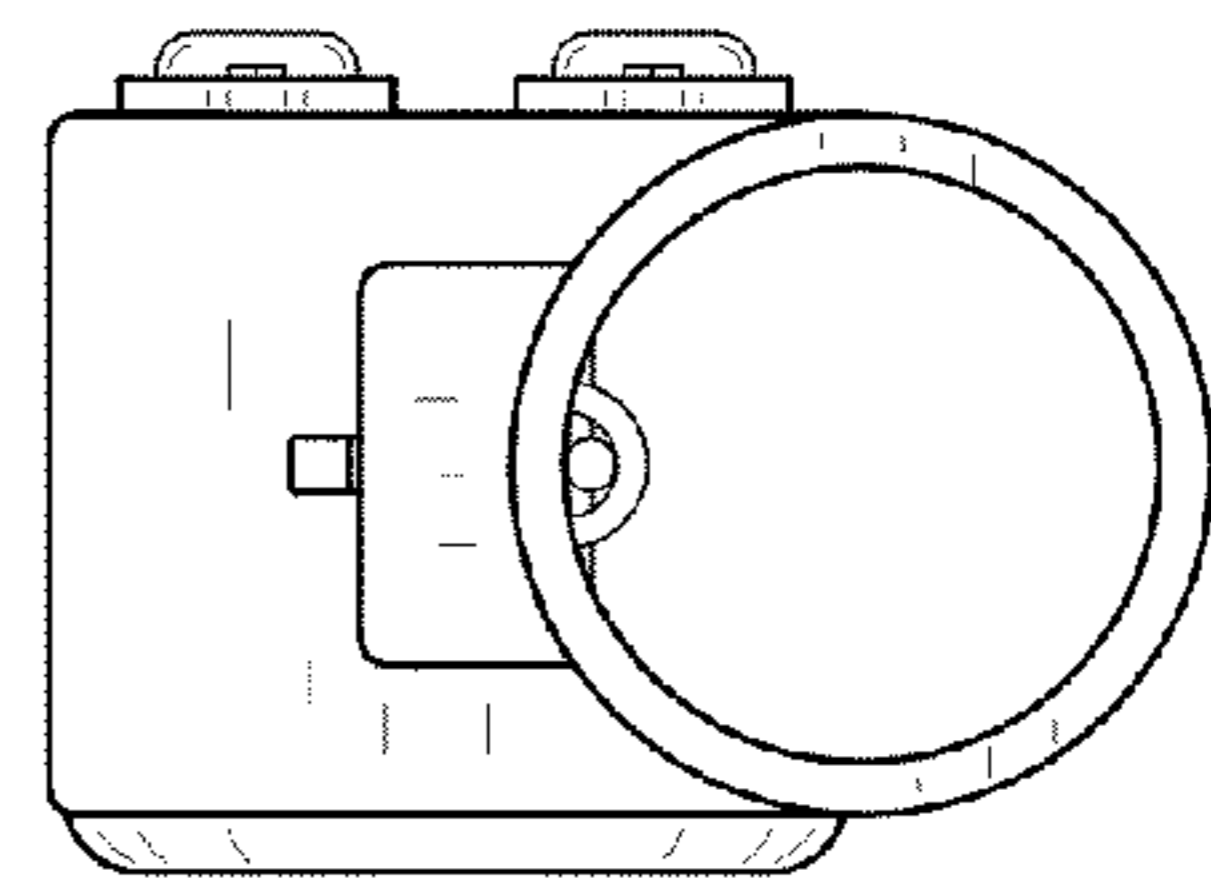


FIG. 5

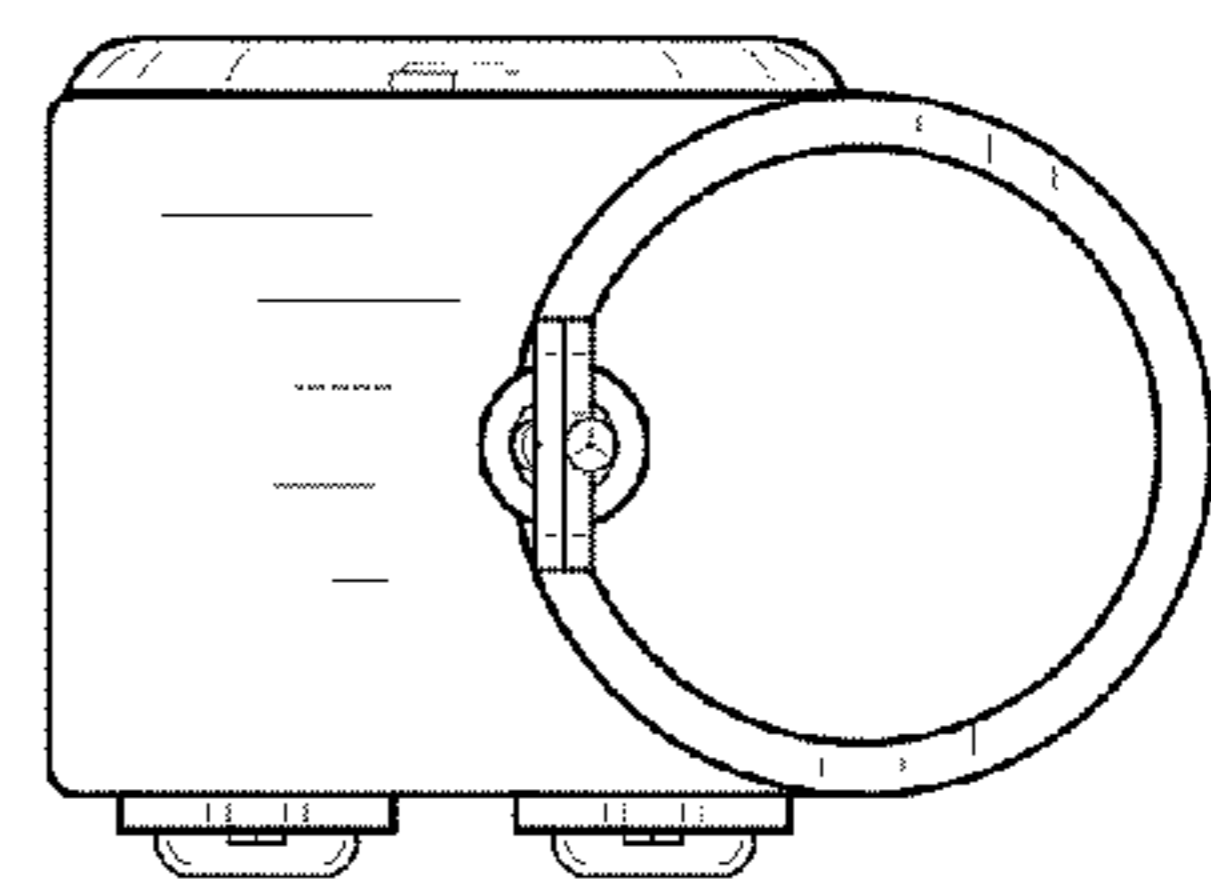
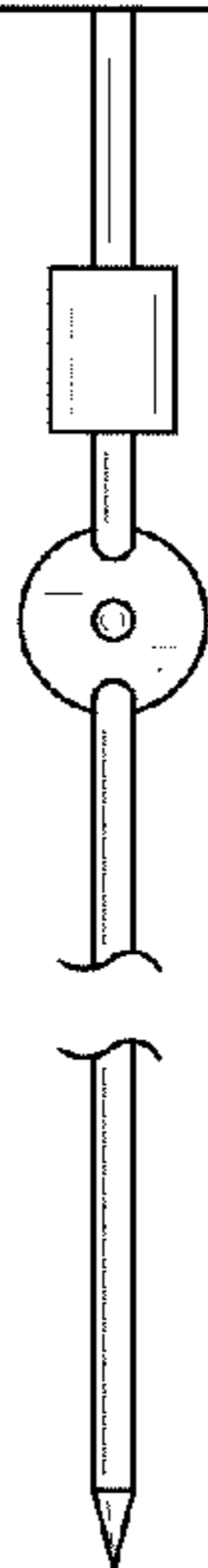
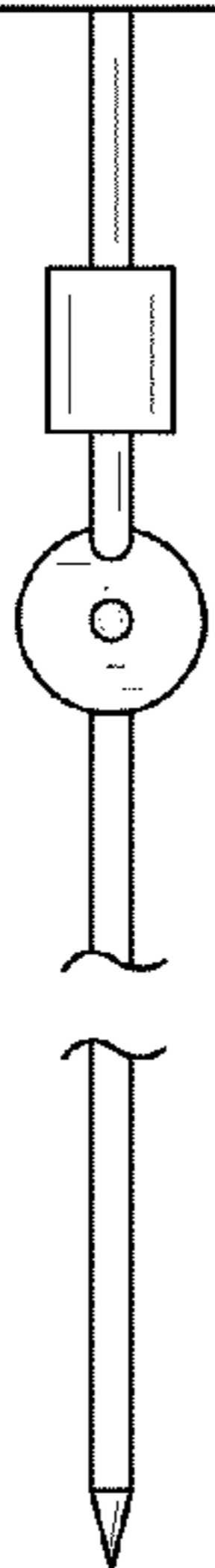


FIG. 6



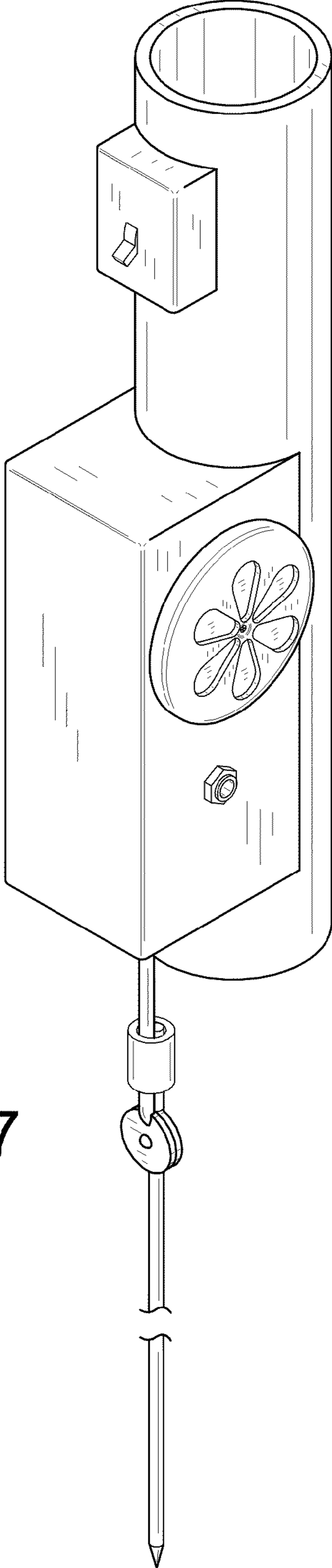


FIG. 7