



US00D646746S

(12) **United States Design Patent**
Abbott et al.

(10) **Patent No.:** **US D646,746 S**

(45) **Date of Patent:** **** Oct. 11, 2011**

(54) **ATTACHABLE FRONT SIGHT FOR RIFLE**

(76) Inventors: **Craig Abbott**, Vista, CA (US); **Darin Prince**, Bonsall, CA (US)

(**) Term: **14 Years**

(21) Appl. No.: **29/376,425**

(22) Filed: **Oct. 6, 2010**

(51) **LOC (9) Cl.** **22-01**

(52) **U.S. Cl.** **D22/109**

(58) **Field of Classification Search** D22/108-110,
D22/199; 89/200-204; 359/399, 823, 744;
42/104, 105, 111-113, 116, 120, 124-126,
42/127-129, 141-148, 133-140; 33/227,
33/229

See application file for complete search history.

(56) **References Cited**

U.S. PATENT DOCUMENTS

894,275	A *	7/1908	Marble	42/136
909,941	A *	1/1909	Roscoe	42/136
6,199,286	B1 *	3/2001	Reed et al.	33/265
D588,228	S *	3/2009	Swan	D22/109
2009/0241400	A1 *	10/2009	Stumpp	42/140
2010/0107467	A1 *	5/2010	Samson et al.	42/127
2010/0299987	A1 *	12/2010	Ballard	42/136

* cited by examiner

Primary Examiner — T. Chase Nelson

Assistant Examiner — Michael Pratt

(74) *Attorney, Agent, or Firm* — QuickPatents, Inc.; Kevin Prince

(57) **CLAIM**

What is claimed is the ornamental design for an attachable front sight for rifle, as shown and described.

DESCRIPTION

FIG. 1 is a perspective view of an attachable front sight for rifle, showing the new design;

FIG. 2 is a front exploded perspective view thereof;

FIG. 3 is a rear exploded perspective view thereof;

FIG. 4 is a front elevational view thereof, illustrated with screws of the design removed for clarity;

FIG. 5 is a left-side elevational view thereof;

FIG. 6 is a right-side elevational view thereof;

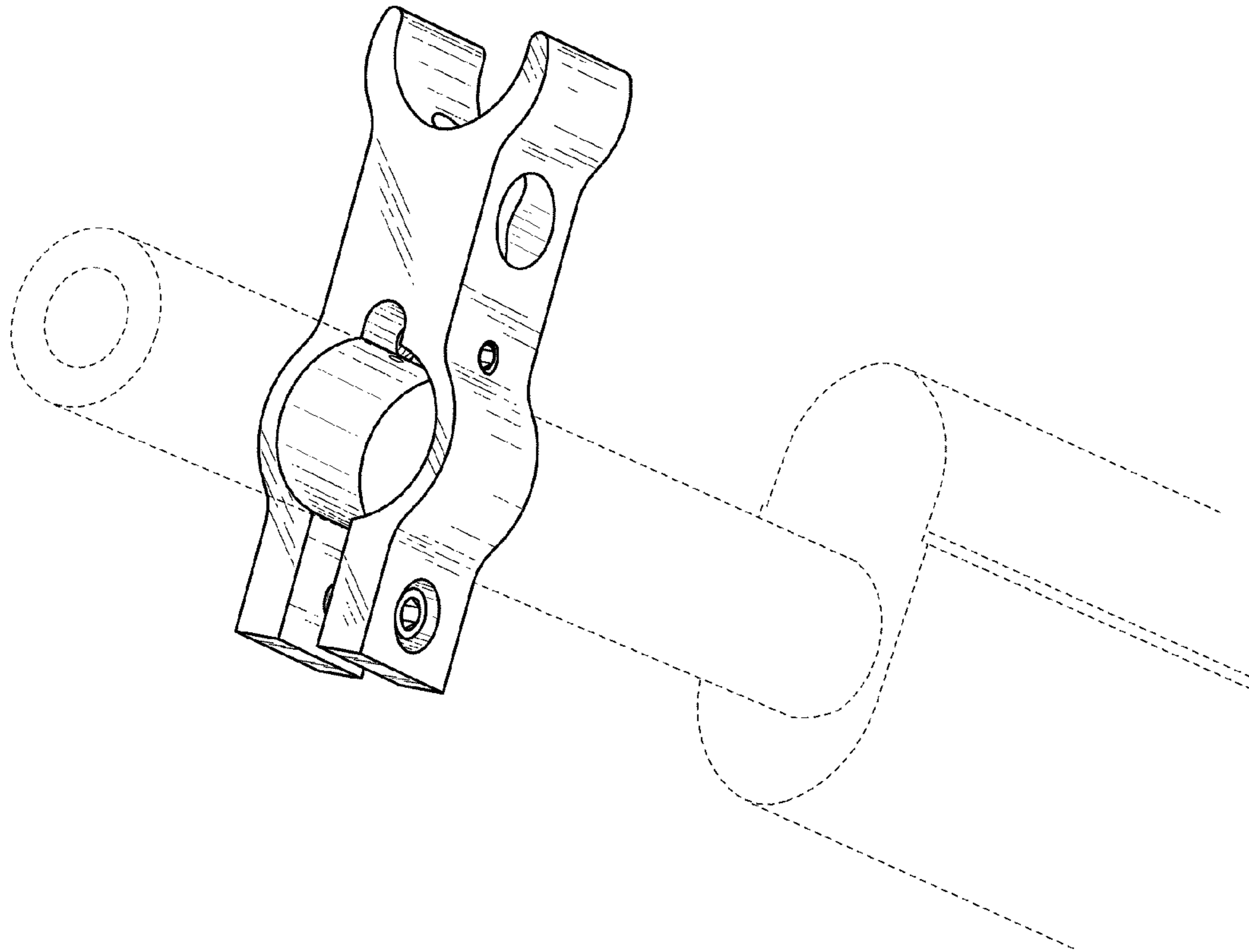
FIG. 7 is a top plan view thereof;

FIG. 8 is a bottom plan view thereof, illustrated with screws of the design removed for clarity; and,

FIG. 9 is a cross-sectional view thereof, taken generally along lines 9-9 of FIG. 6, illustrated with screws of the design removed for clarity.

The broken lines showing a rifle in FIG. 1 are included for the purpose of illustrating the invention in use, and form no part of the claimed design.

1 Claim, 3 Drawing Sheets



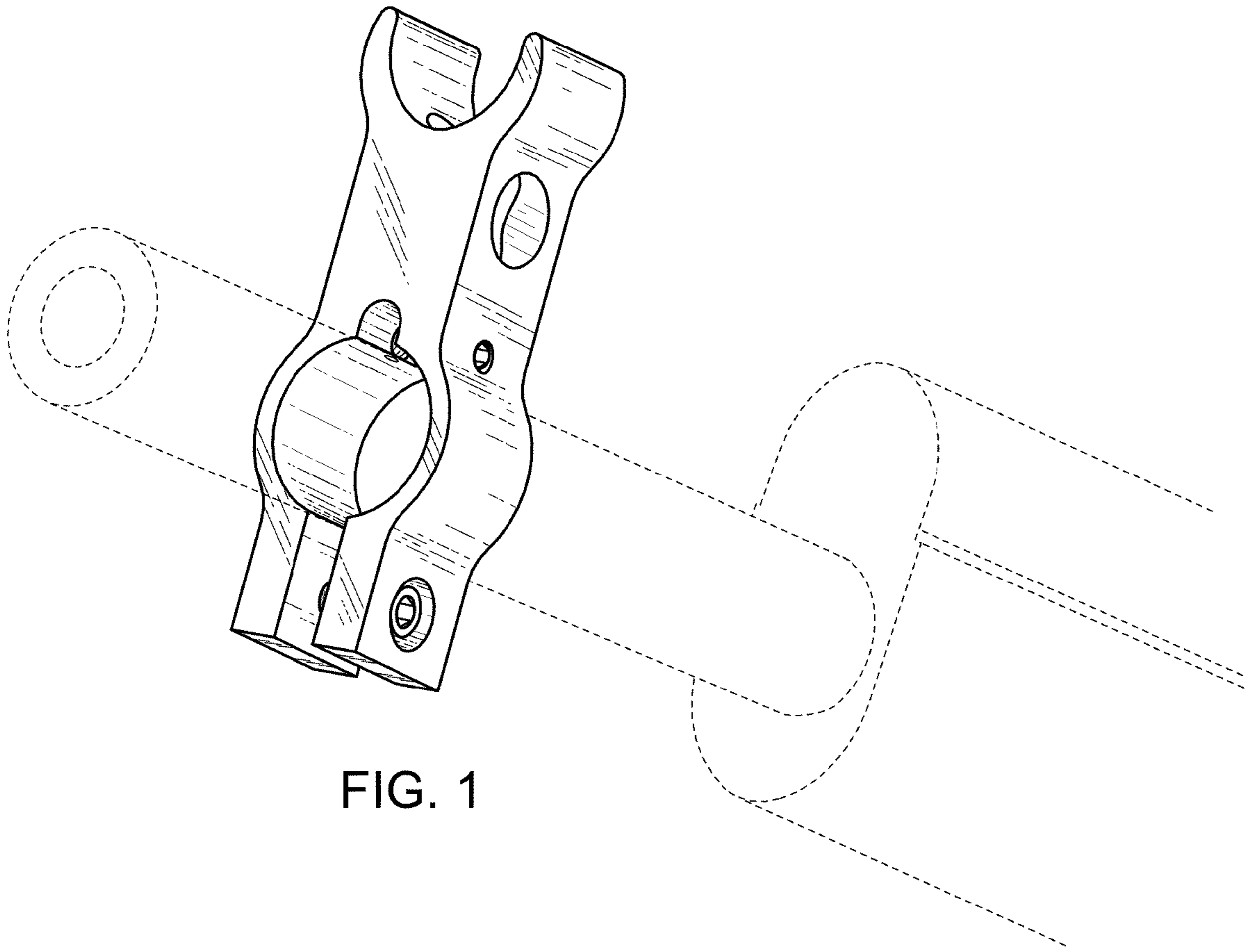


FIG. 1

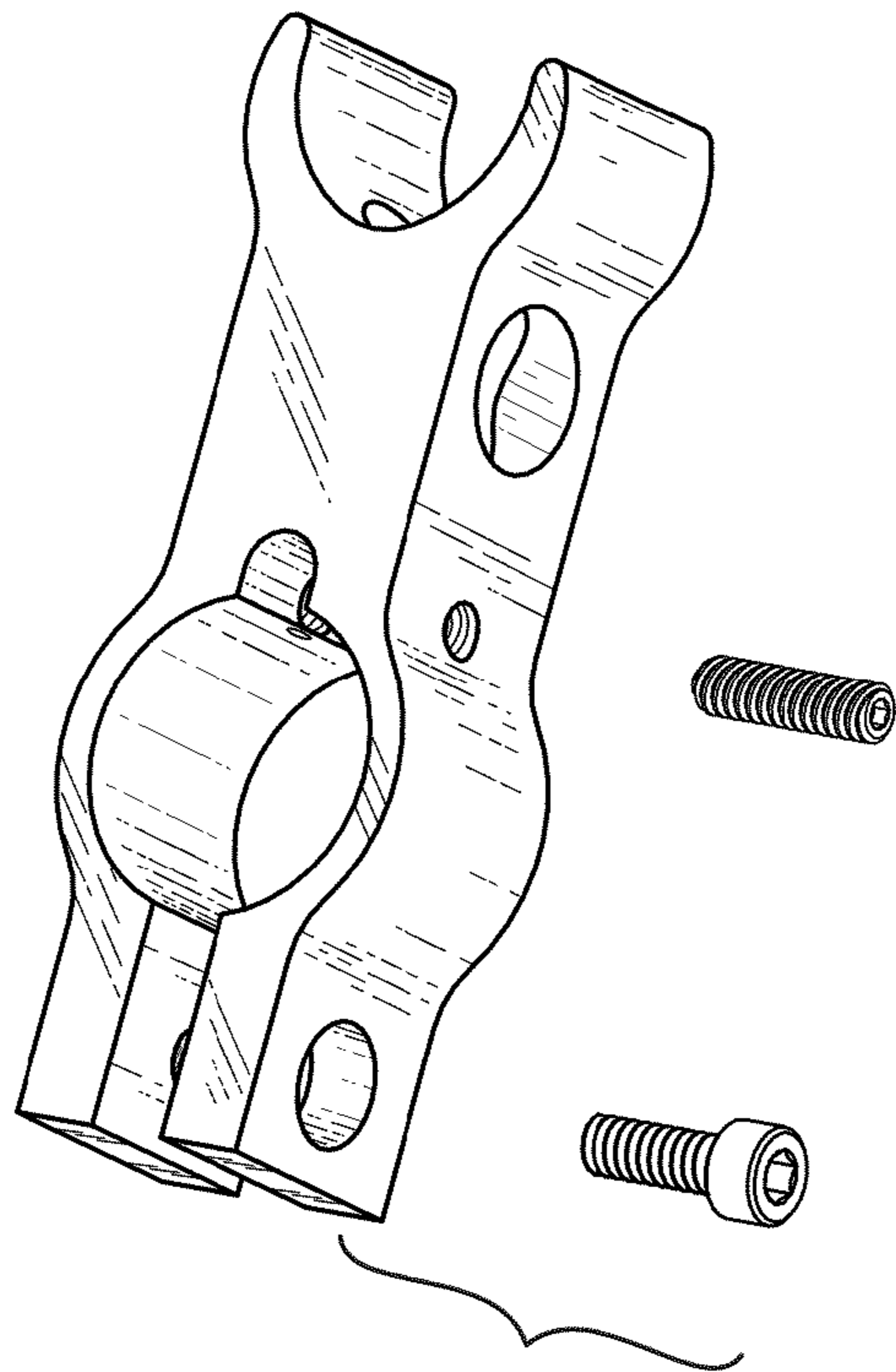


FIG. 2

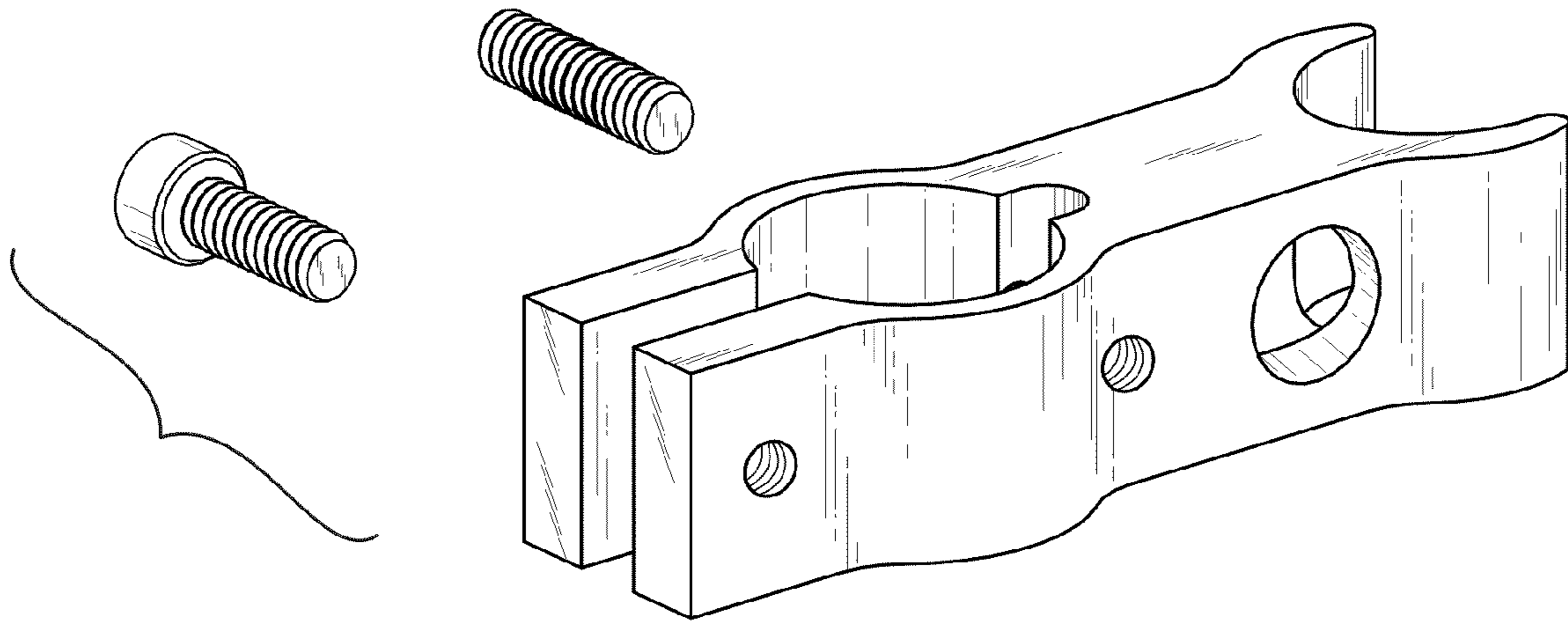


FIG. 3

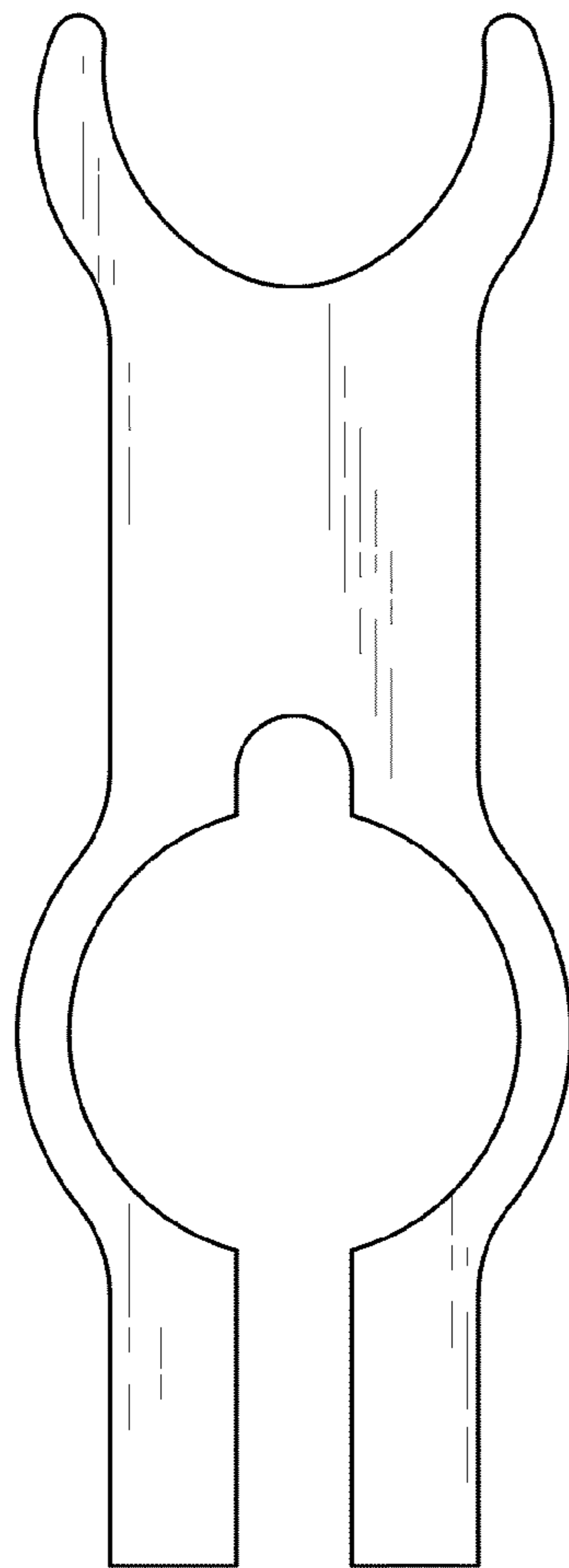


FIG. 4

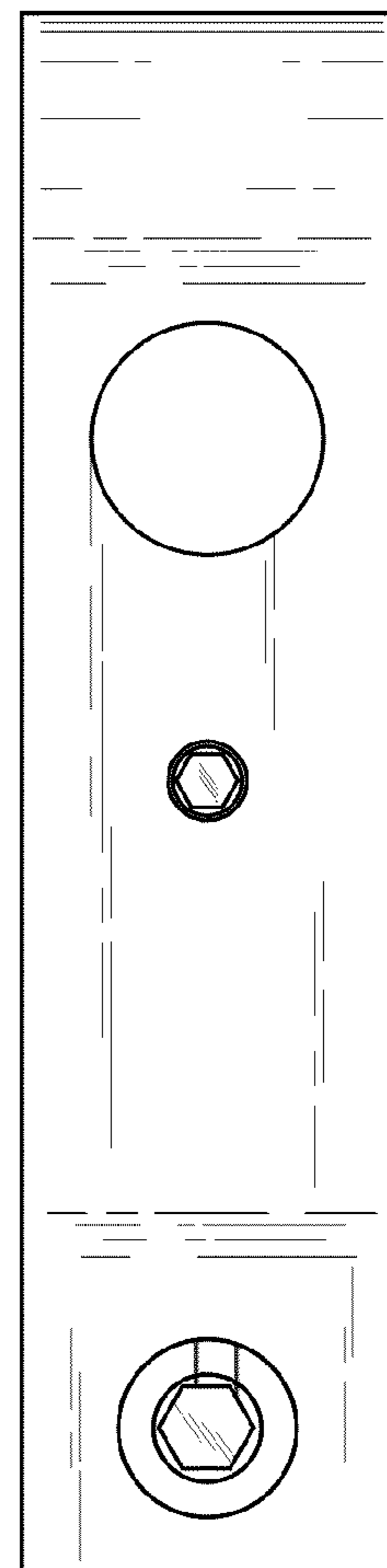


FIG. 5

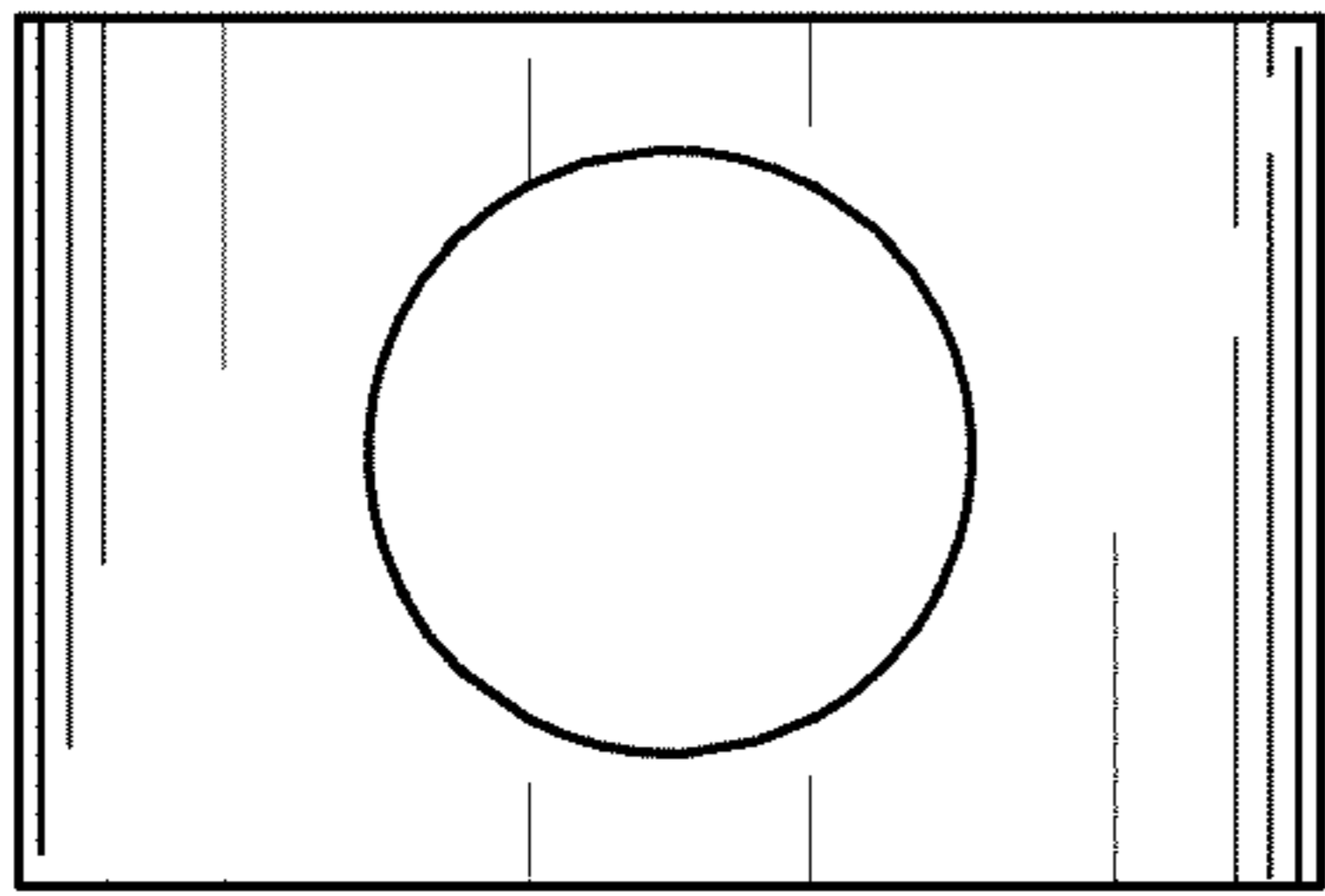


FIG. 7

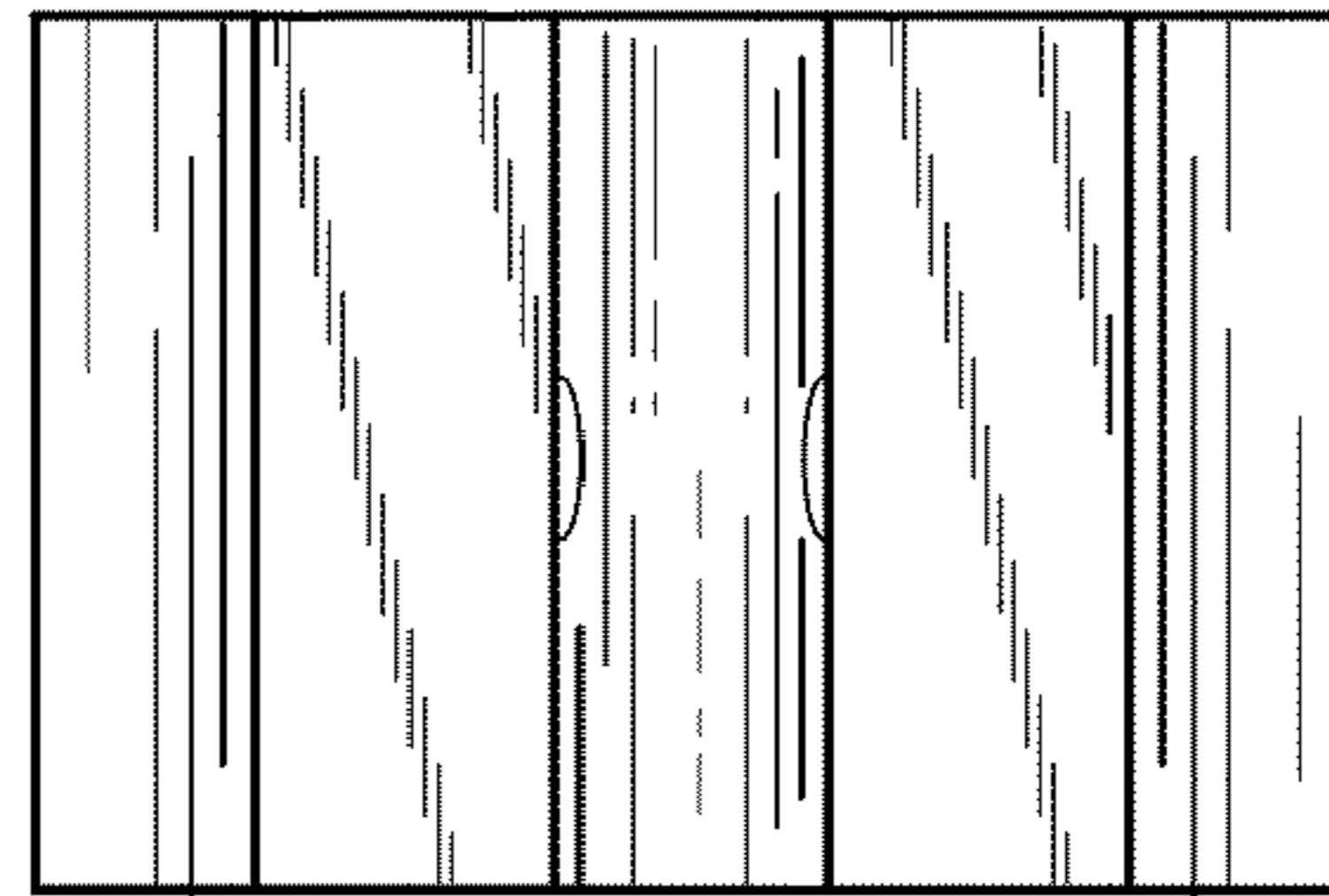


FIG. 8

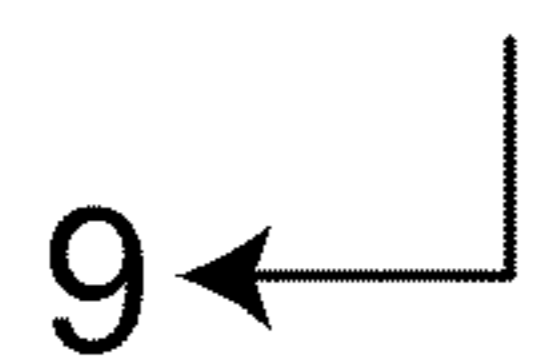
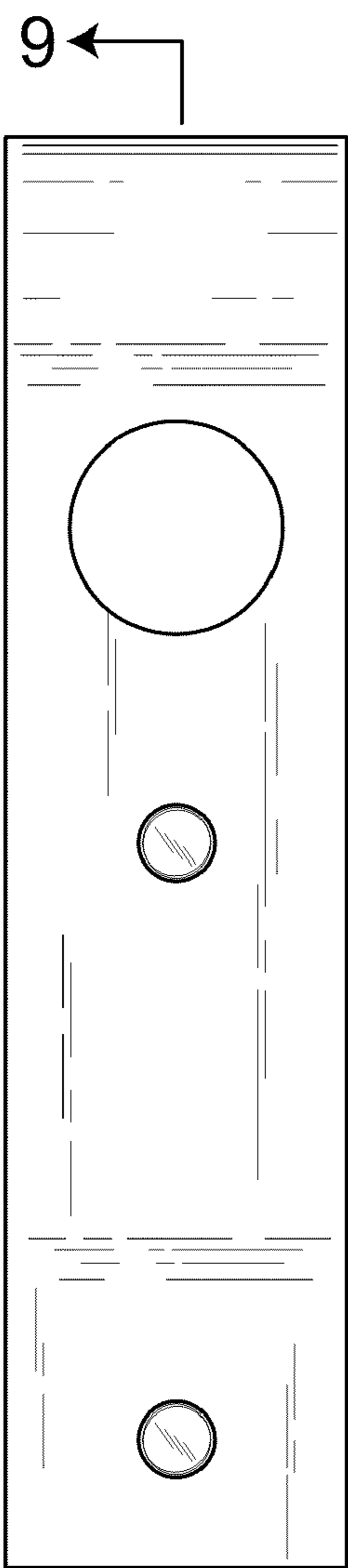


FIG. 6

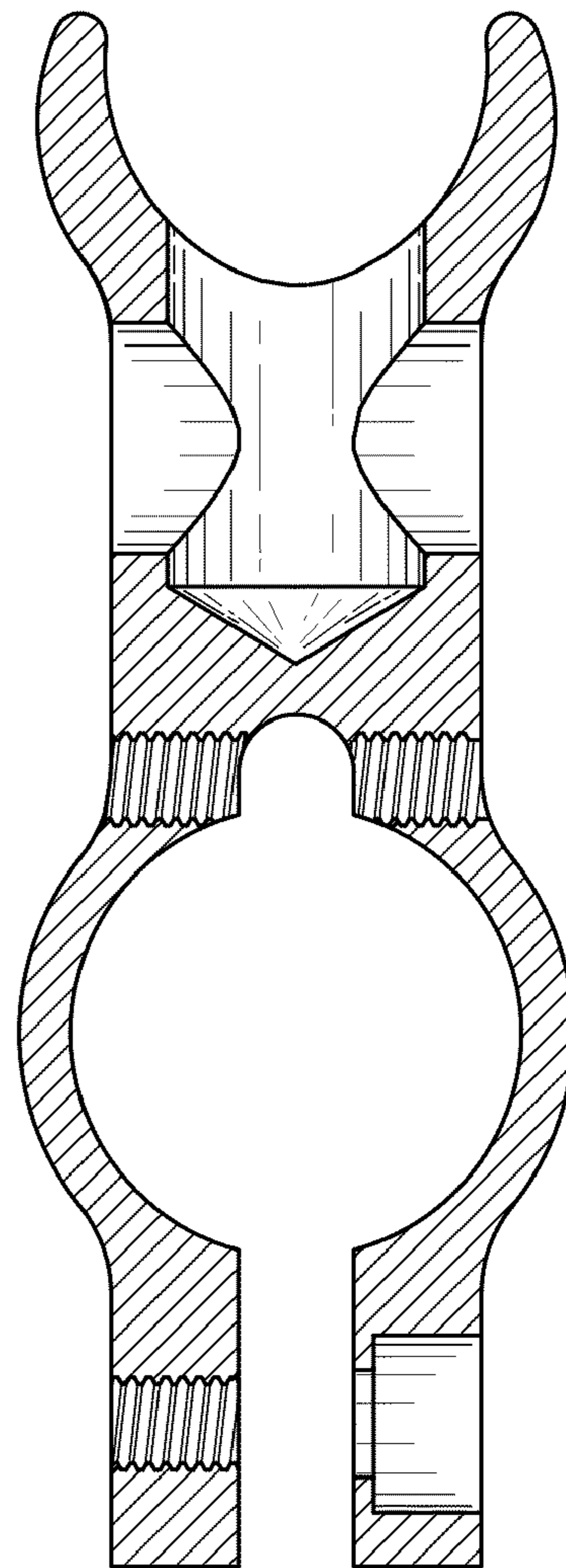


FIG. 9