



US00D646745S

(12) **United States Design Patent**
Peterson et al.

(10) **Patent No.:** **US D646,745 S**
(45) **Date of Patent:** **** Oct. 11, 2011**

(54) **MODULAR FOREND SYSTEM FOR TACTICAL FIREARMS**

(75) Inventors: **Morris Peterson**, Earlysville, VA (US); **Matthew Peterson**, Crozet, VA (US); **Gary Vance**, Bristol, VA (US); **William McCormick**, Bluff City, TN (US); **Charles Robert Overbey, Jr.**, Deland, FL (US)

(73) Assignee: **Ashbury International Group, Inc.**, Ruckersville, VA (US)

(**) Term: **14 Years**

(21) Appl. No.: **29/367,168**

(22) Filed: **Aug. 4, 2010**

Related U.S. Application Data

(60) Division of application No. 29/340,274, filed on Jul. 15, 2009, now Pat. No. Des. 637,680, which is a continuation of application No. 12/251,384, filed on Oct. 14, 2008.

(51) **LOC (9) Cl.** **22-01**

(52) **U.S. Cl.** **D22/108**

(58) **Field of Classification Search** D22/100, D22/101, 103, 104, 108, 199; D21/572, D21/573; 42/51, 71.01, 75.01, 75.02, 90, 42/94, 134, 136, 139, 125, 72, 111; 362/110; 33/241, 277; 313/105 R; 89/40.06, 41.19, 89/37.04, 33.04, 191.01, 200-204; 124/67, 124/66, 74

See application file for complete search history.

(56) **References Cited**

U.S. PATENT DOCUMENTS

6,598,330 B2 * 7/2003 Garrett et al. 42/85
2005/0000142 A1 * 1/2005 Kim et al. 42/124
2005/0241206 A1 * 11/2005 Teetzel et al. 42/72

2006/0026883 A1 * 2/2006 Hochstrate et al. 42/75.01
2006/0048424 A1 * 3/2006 Weir 42/69.01
2006/0162227 A1 * 7/2006 Samson 42/148
2007/0199435 A1 * 8/2007 Hochstrate et al. 89/191.02

* cited by examiner

Primary Examiner — T. Chase Nelson

Assistant Examiner — Michael Pratt

(74) *Attorney, Agent, or Firm* — Troutman Sanders LLP; Robert R. Elliott, Jr.

(57) **CLAIM**

The ornamental design for a modular forend system for tactical firearms, as shown and described.

DESCRIPTION

FIG. 1 illustrates a perspective, side view of a new design for a modular truss-type forend system for tactical rifles depicting a modular forend with a plurality of accessory mounting rails;

FIG. 2 illustrates a side view of a new design for a modular truss-type forend system for tactical rifles depicting a modular forend with a plurality of accessory mounting rails;

FIG. 3 illustrates a side view of a new design for a modular truss-type forend system for tactical rifles depicting a modular forend with a plurality of accessory mounting rails;

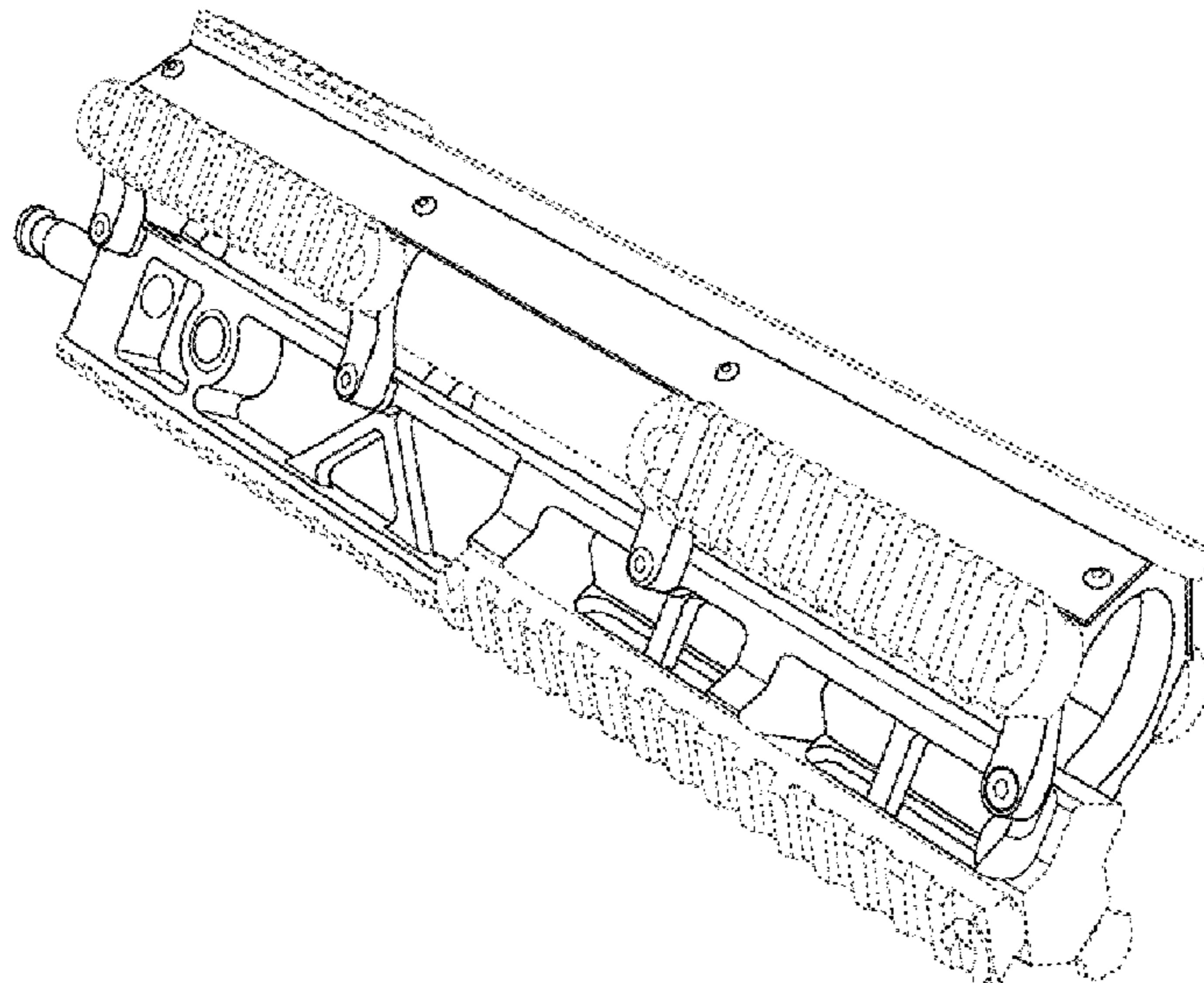
FIG. 4 illustrates a top view of a new design for a modular truss-type forend system for tactical rifles depicting a modular forend with a plurality of accessory mounting rails;

FIG. 5 illustrates a bottom view of a new design for a modular truss-type forend system for tactical rifles depicting a modular forend with a plurality of accessory mounting rails; and,

FIG. 6 illustrates an exploded, perspective, side view of a new design for a modular truss-type forend system for tactical rifles depicting a modular forend with a plurality of accessory mounting rails.

The broken, dashed lines shown in the various figures depicting the invention are included for the purpose of illustrating environment and do not form any part of the claimed design.

1 Claim, 4 Drawing Sheets



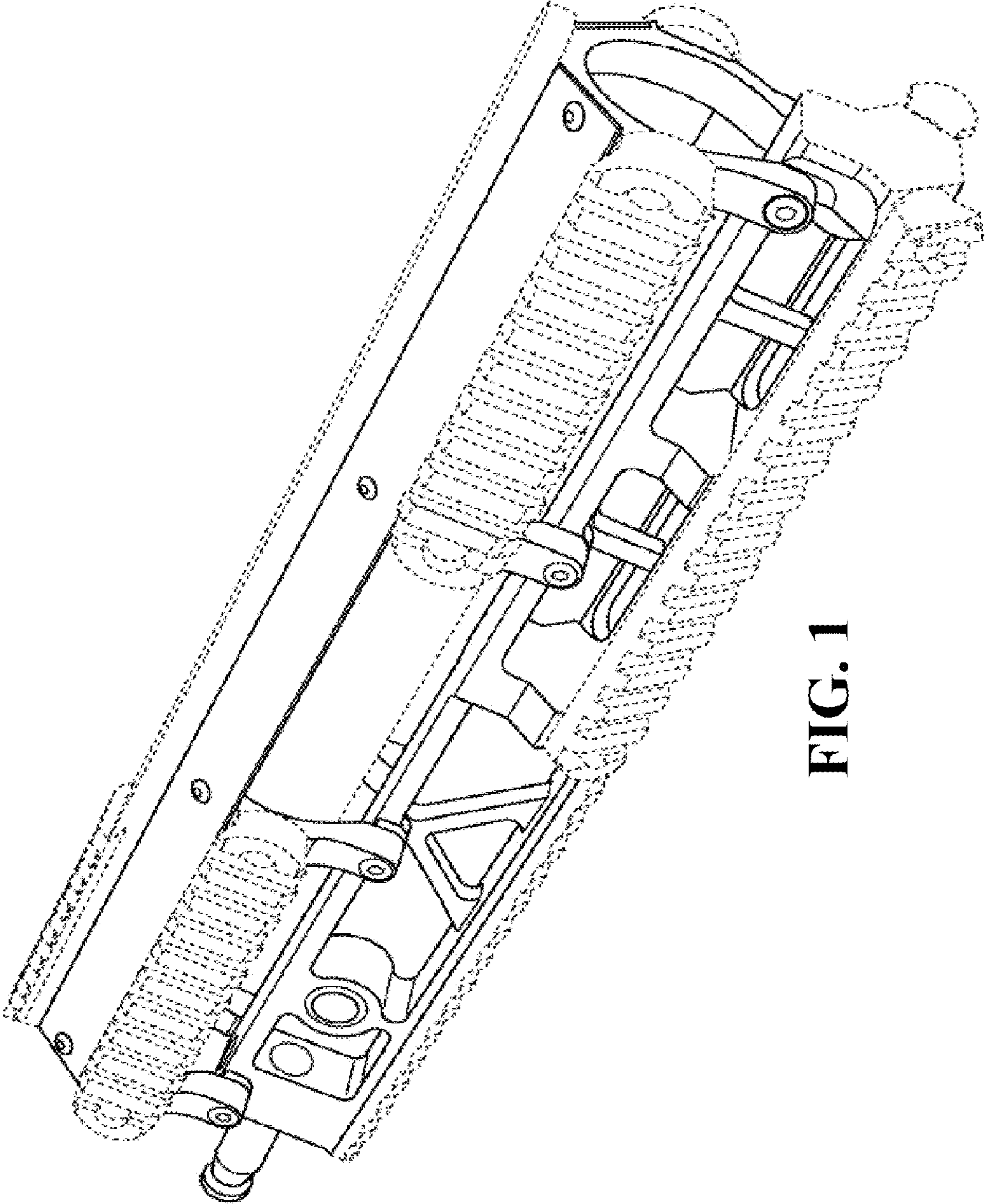


FIG. 1

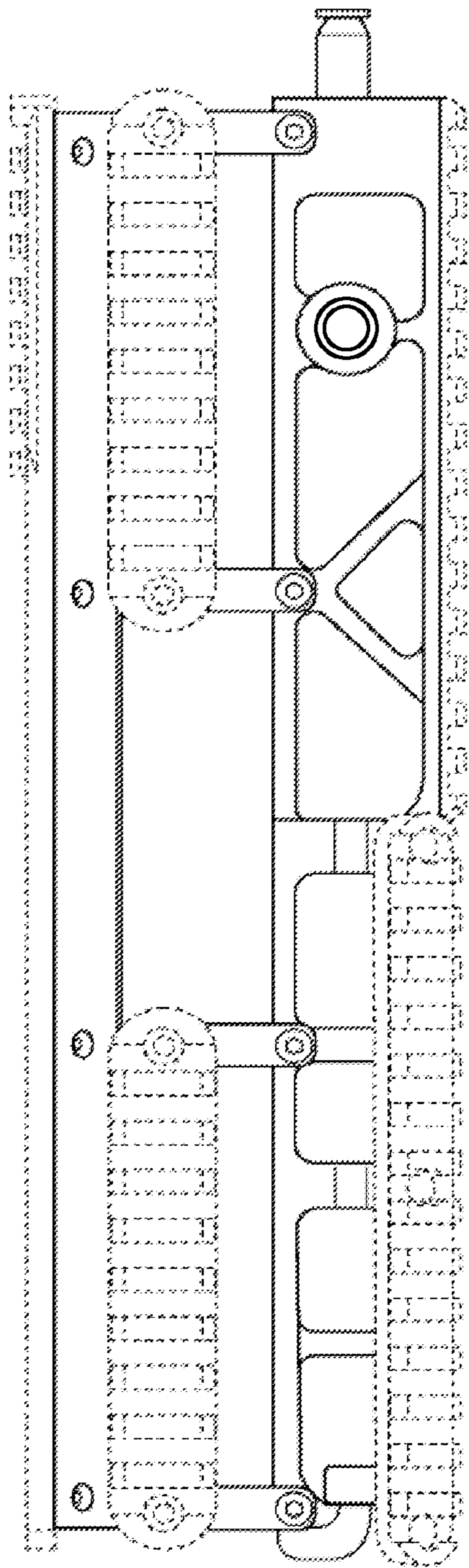


FIG. 2

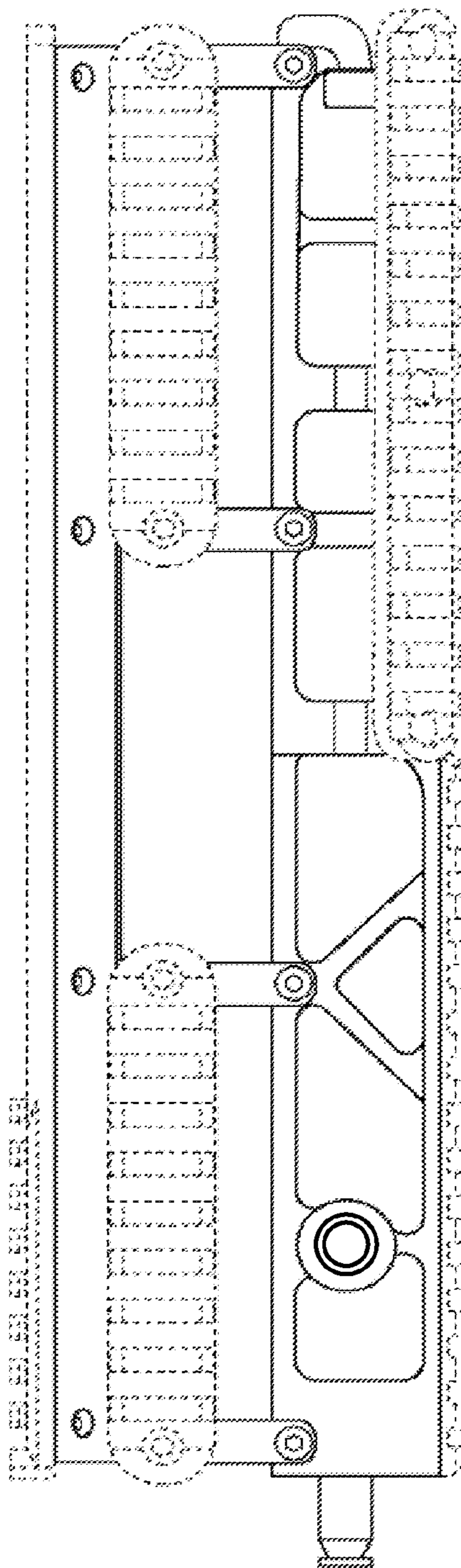


FIG. 3

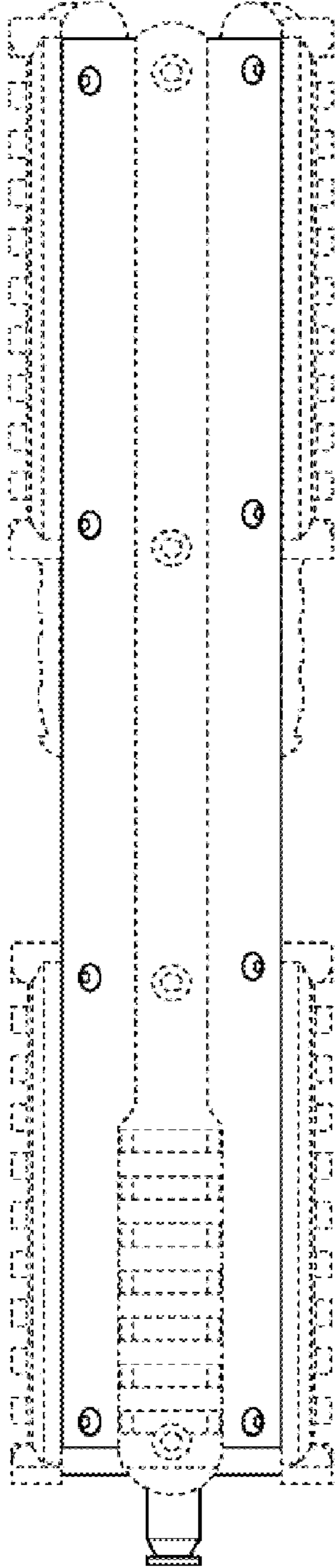


FIG. 4

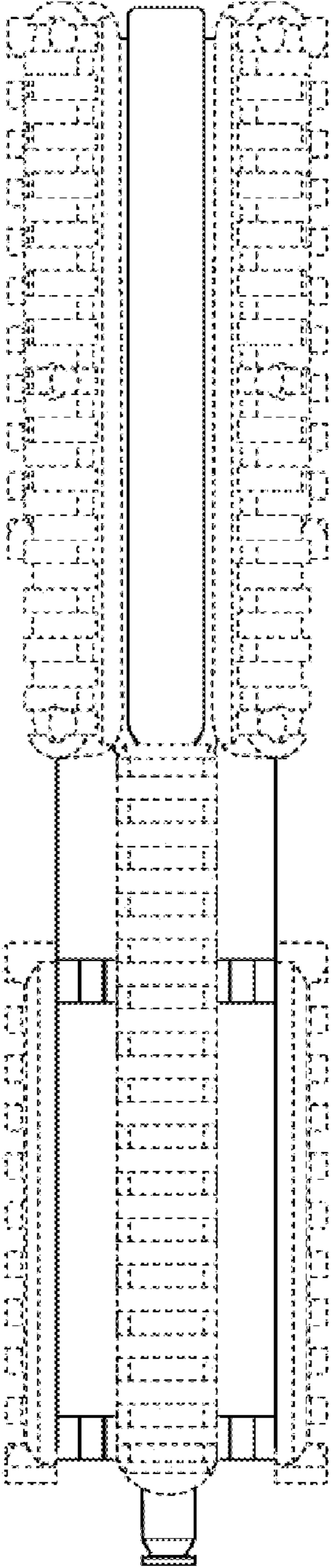


FIG. 5

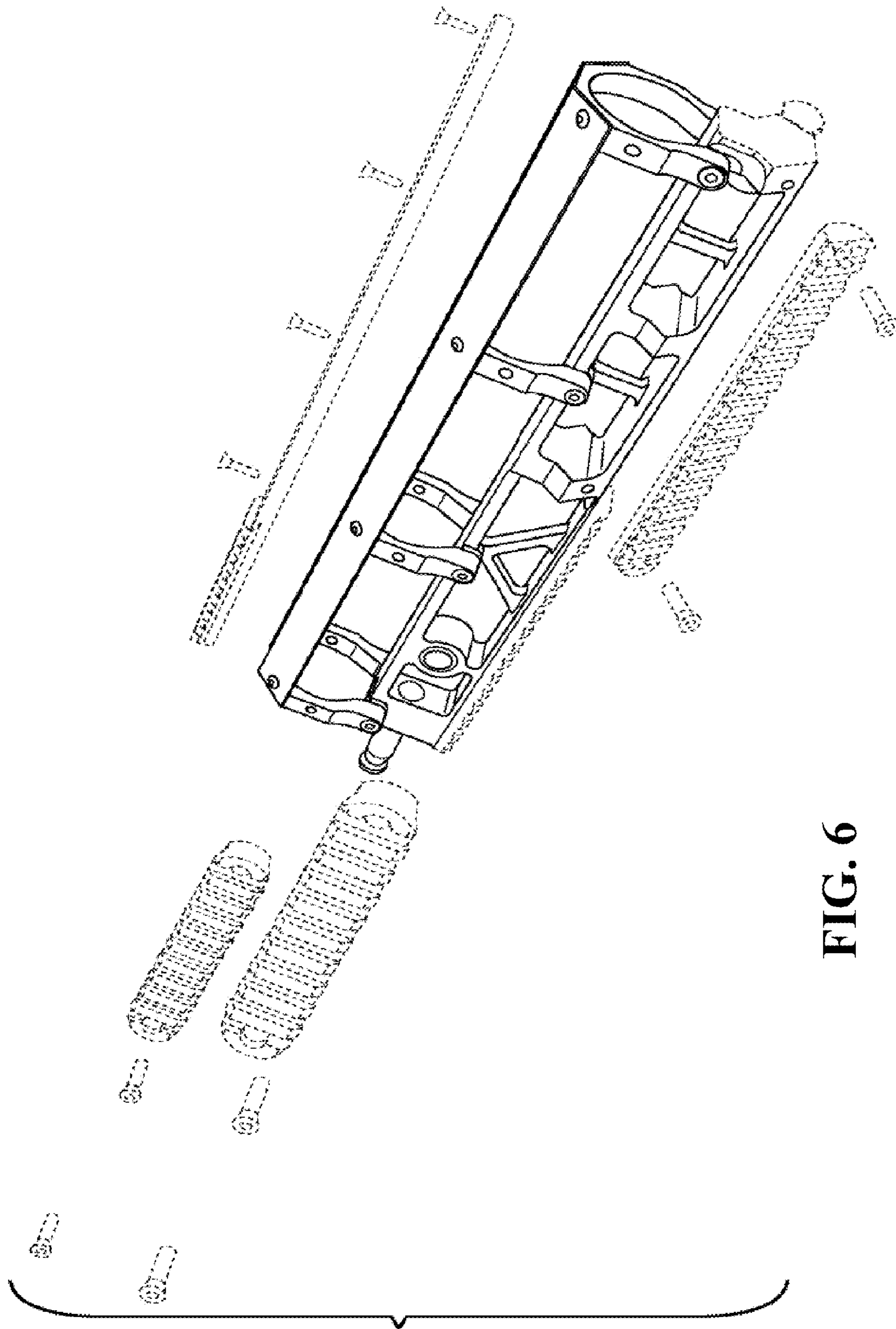


FIG. 6