



US00D646739S

(12) **United States Design Patent**
Forest

(10) **Patent No.:** **US D646,739 S**

(45) **Date of Patent:** **** *Oct. 11, 2011**

(54) **PUTTING PRACTICE DEVICE**

(75) **Inventor:** **Joseph Forest**, Edmonton (CA)

(73) **Assignee:** **Putting Cyclops Inc.**, St. Albert, Alberta (CA)

(**) **Term:** **14 Years**

(21) **Appl. No.:** **29/376,284**

(22) **Filed:** **Oct. 5, 2010**

(30) **Foreign Application Priority Data**

Apr. 8, 2010 (CA) 134802

(51) **LOC (9) Cl.** **21-02**

(52) **U.S. Cl.** **D21/791**

(58) **Field of Classification Search** D21/789,
D21/791; 473/161-163, 133, 137, 183, 184,
473/236, 265

See application file for complete search history.

(56) **References Cited**

U.S. PATENT DOCUMENTS

2,754,125 A 7/1956 Engler
D245,035 S * 7/1977 Gordon D21/790
4,082,287 A 4/1978 Berkey
4,129,301 A * 12/1978 Kenney 473/264
4,765,624 A 8/1988 Sprague

5,503,395 A 4/1996 Cook
D418,891 S * 1/2000 Sirak D21/791
6,416,420 B1 7/2002 Stark
D470,906 S * 2/2003 Shaw D21/791
6,746,339 B1 6/2004 Thibaudeau
7,004,851 B2 2/2006 Pierce
D600,299 S * 9/2009 Hanley D21/791

FOREIGN PATENT DOCUMENTS

CA 2620927 7/2009

* cited by examiner

Primary Examiner — Mitchell Siegel

(74) *Attorney, Agent, or Firm* — Davis & Bujold, P.L.L.C.

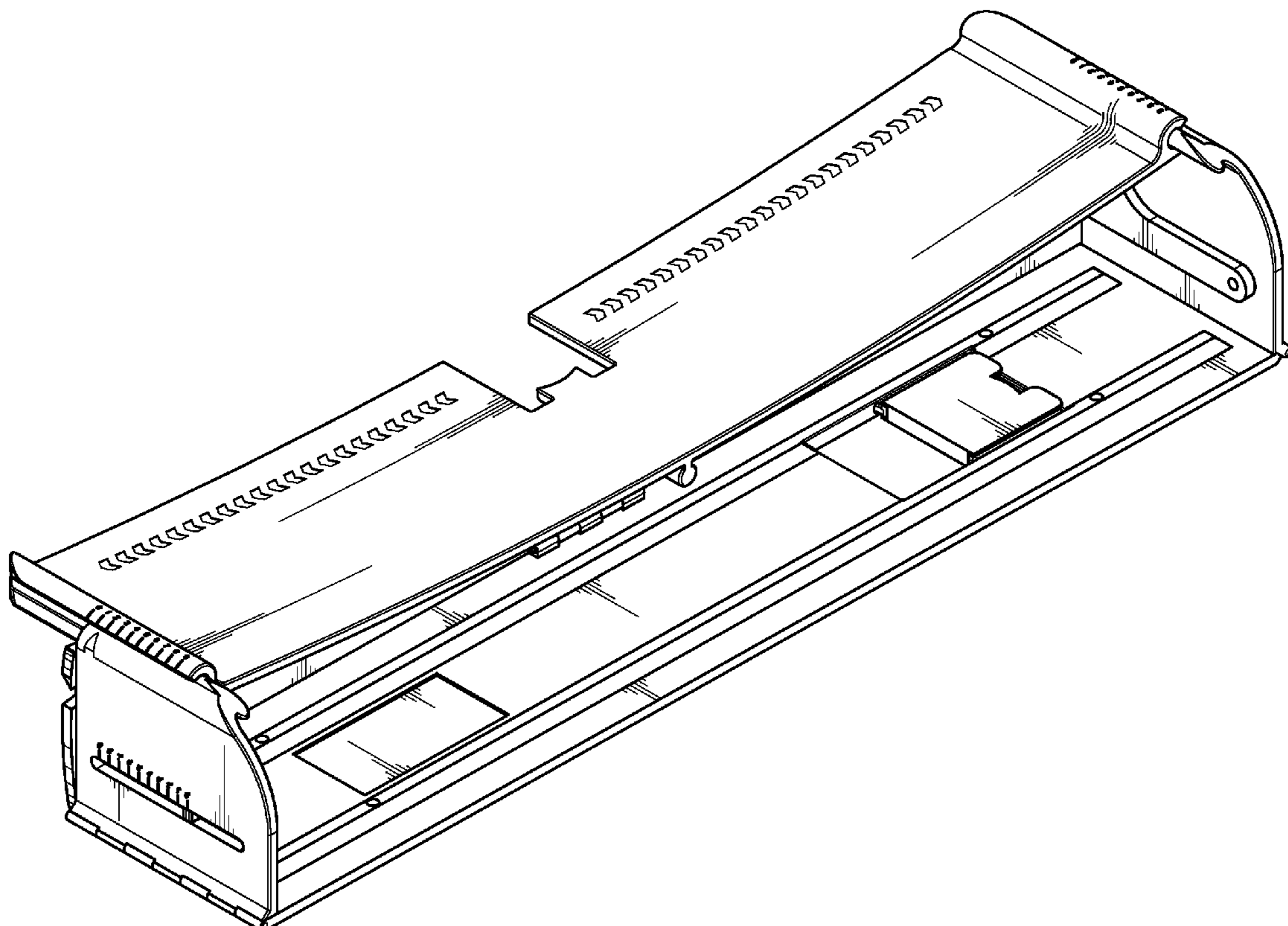
(57) **CLAIM**

The ornamental design for a putting practice device, as shown and described.

DESCRIPTION

FIG. 1 is a front perspective view of the putting practice device;
FIG. 2 is a rear perspective view of the putting practice device;
FIG. 3 is a front elevation view of the putting practice device;
FIG. 4 is a rear elevation view of the putting practice device;
FIG. 5 is a right side elevation view of the putting practice device;
FIG. 6 is a left side elevation view of the putting practice device; and,
FIG. 7 is a top plan view of the putting practice device.

1 Claim, 4 Drawing Sheets



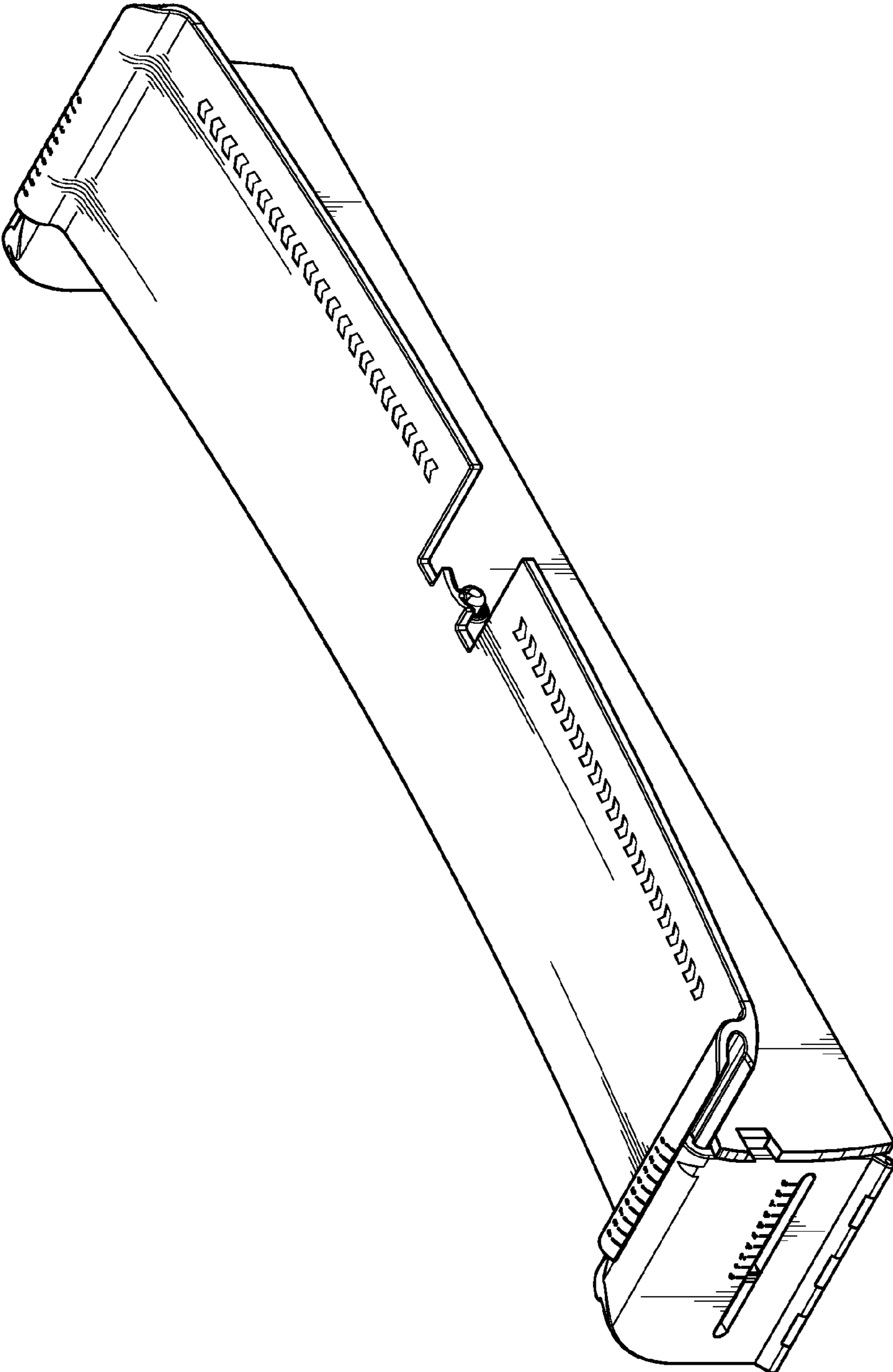


FIG.1

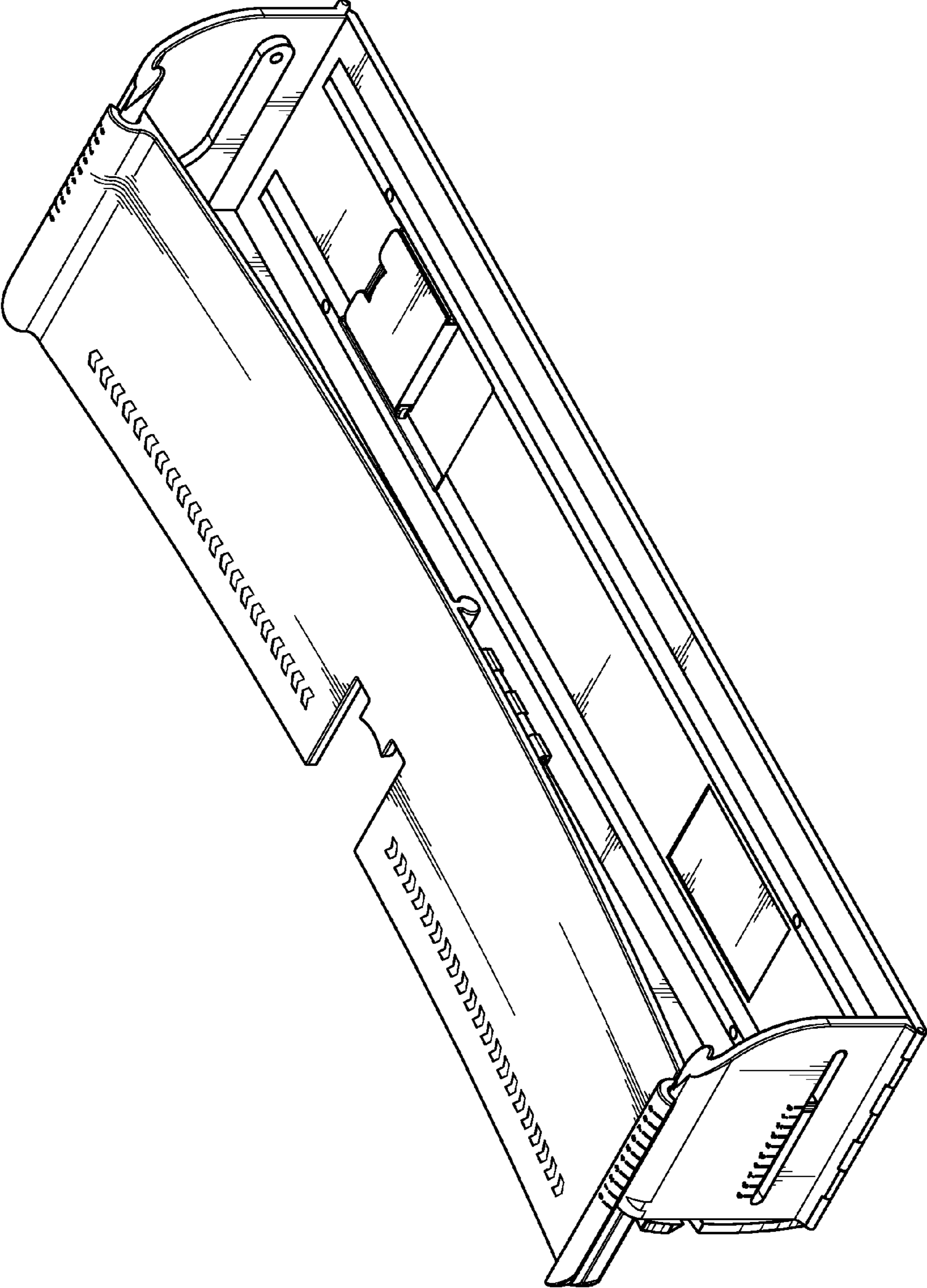


FIG. 2

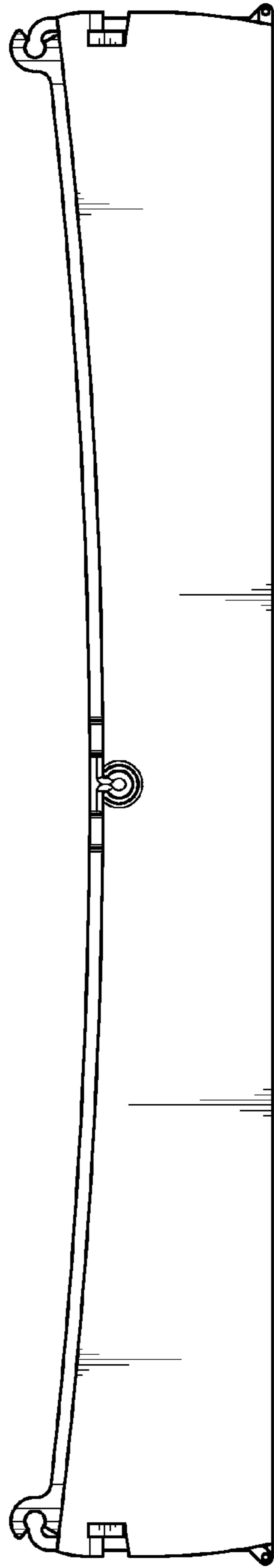


FIG.3

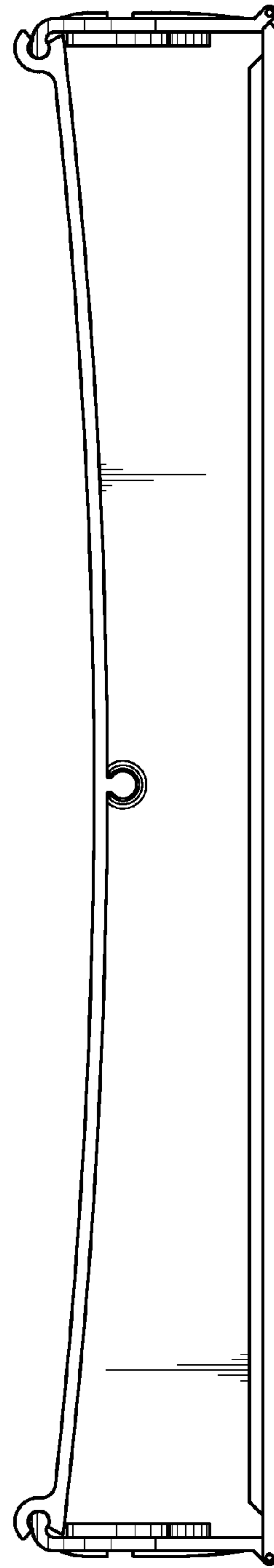


FIG.4

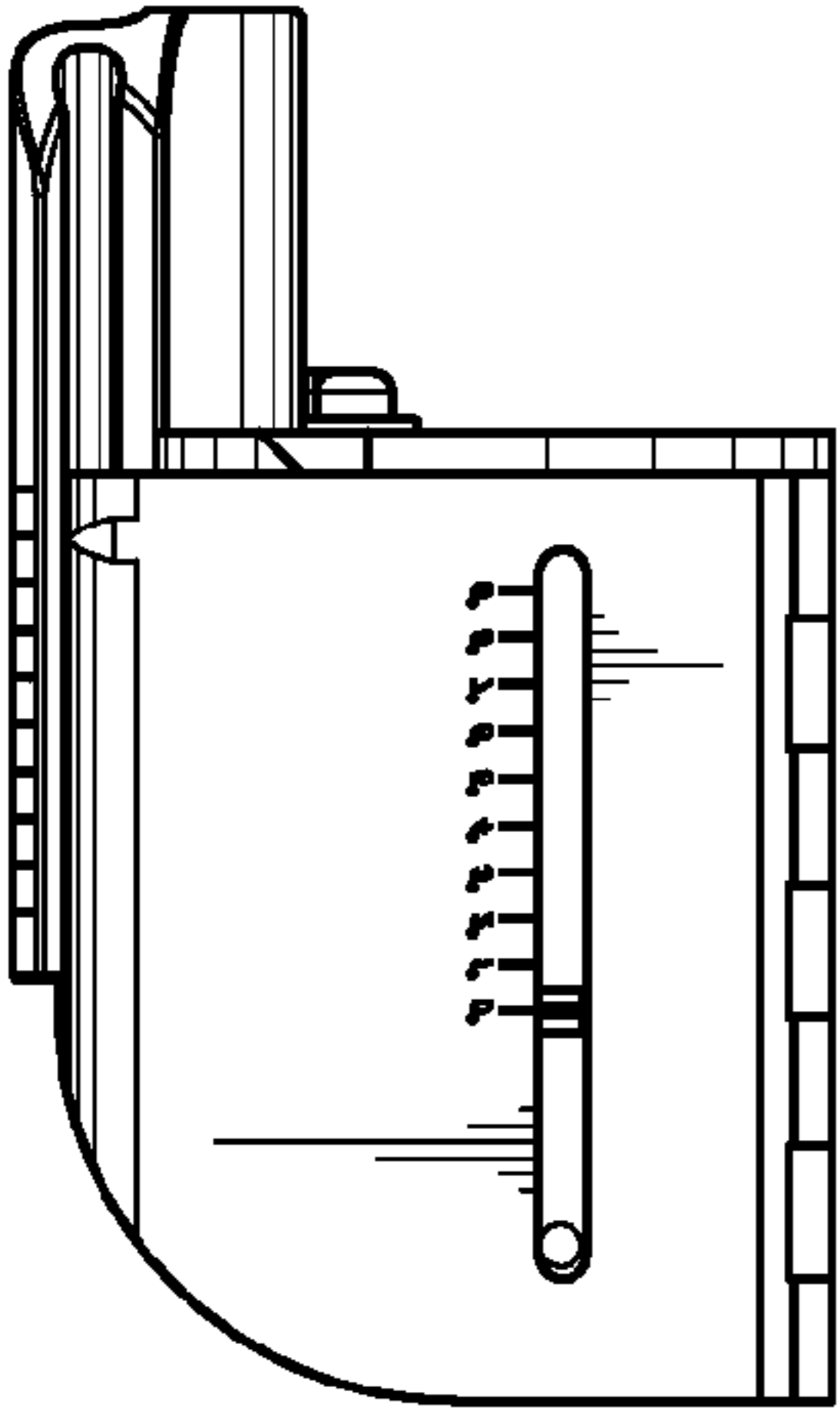


FIG. 5

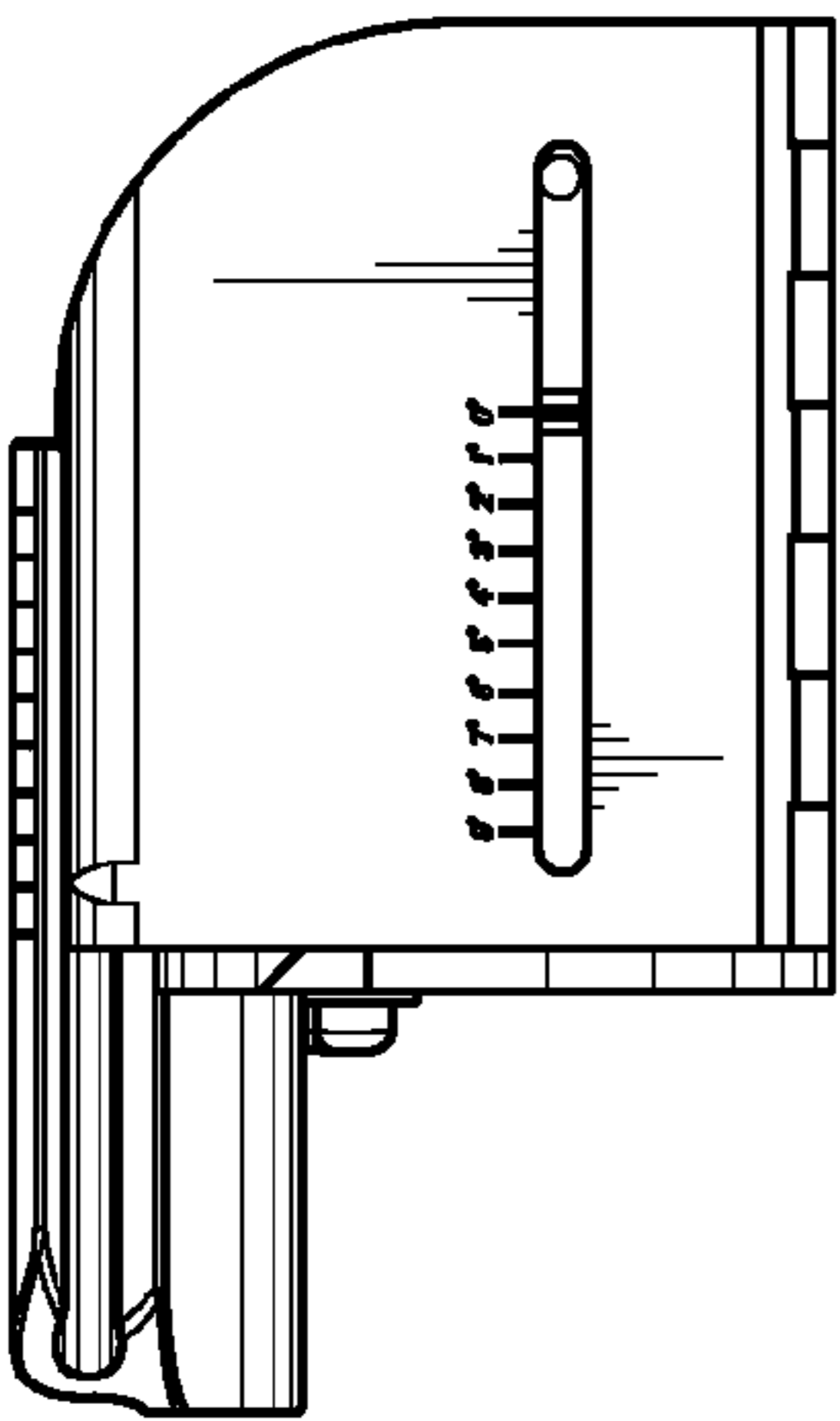


FIG. 6

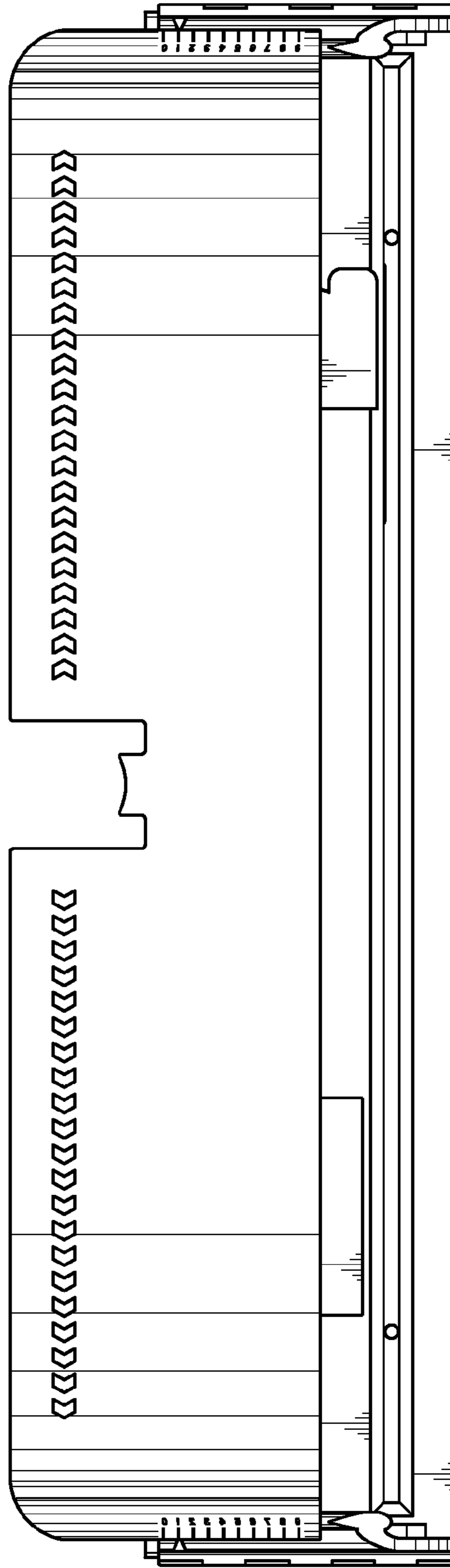


FIG. 7