



US00D646734S

(12) **United States Design Patent**  
**Findeisen**

(10) **Patent No.:** **US D646,734 S**

(45) **Date of Patent:** **\*\* Oct. 11, 2011**

(54) **TOE STRETCH DEVICE**

(76) Inventor: **Kurt Findeisen**, Los Angeles, CA (US)

(\*\*) Term: **14 Years**

(21) Appl. No.: **29/364,060**

(22) Filed: **Jun. 17, 2010**

(51) **LOC (9) Cl.** ..... **21-02**

(52) **U.S. Cl.** ..... **D21/685; D28/57**

(58) **Field of Classification Search** ..... D21/685,  
D21/663, 670, 668; 482/44, 47, 79, 124,  
482/148; 128/894; 602/30; D24/192, 215,  
D24/200; D28/56, 57

See application file for complete search history.

(56) **References Cited**

**U.S. PATENT DOCUMENTS**

1,205,962	A *	11/1916	Arrowsmith	602/30
1,787,398	A *	12/1930	Sidgreaves	602/30
2,517,232	A *	8/1950	Patulski	132/73
2,593,767	A *	4/1952	Kiwad	602/30
2,595,640	A *	5/1952	Christopoulos	132/73
2,868,197	A *	1/1959	Murray	128/894
3,110,306	A *	11/1963	Posner	602/30
3,168,095	A *	2/1965	Magee	602/30
3,234,936	A *	2/1966	Levitt	602/30
3,429,309	A *	2/1969	Kurth et al.	602/30
D393,931	S *	4/1998	Rue	D28/57
D415,858	S *	10/1999	Funatogawa	D28/56
D428,673	S *	7/2000	Ikeda	D28/57

D439,704	S *	3/2001	Ikeda	D28/57
6,318,373	B1 *	11/2001	Kasahara	128/894
7,131,939	B2 *	11/2006	Ferri	482/148
D556,381	S *	11/2007	Kennedy	D28/57
7,322,915	B2 *	1/2008	Ferri	482/148
D595,897	S *	7/2009	Moldauer et al.	D28/56
D600,818	S *	9/2009	Yang	D24/215
D612,946	S *	3/2010	Ferri	D24/200
D629,055	S *	12/2010	Findeisen	D21/685
D632,013	S *	2/2011	Irwin	D28/57
7,951,103	B2 *	5/2011	Millet	602/30
2007/0027011	A1 *	2/2007	Ferri	482/148
2009/0093345	A1 *	4/2009	Findeisen	482/47

\* cited by examiner

*Primary Examiner* — Susan E Krakower

(74) *Attorney, Agent, or Firm* — J. Curtis Edmondson

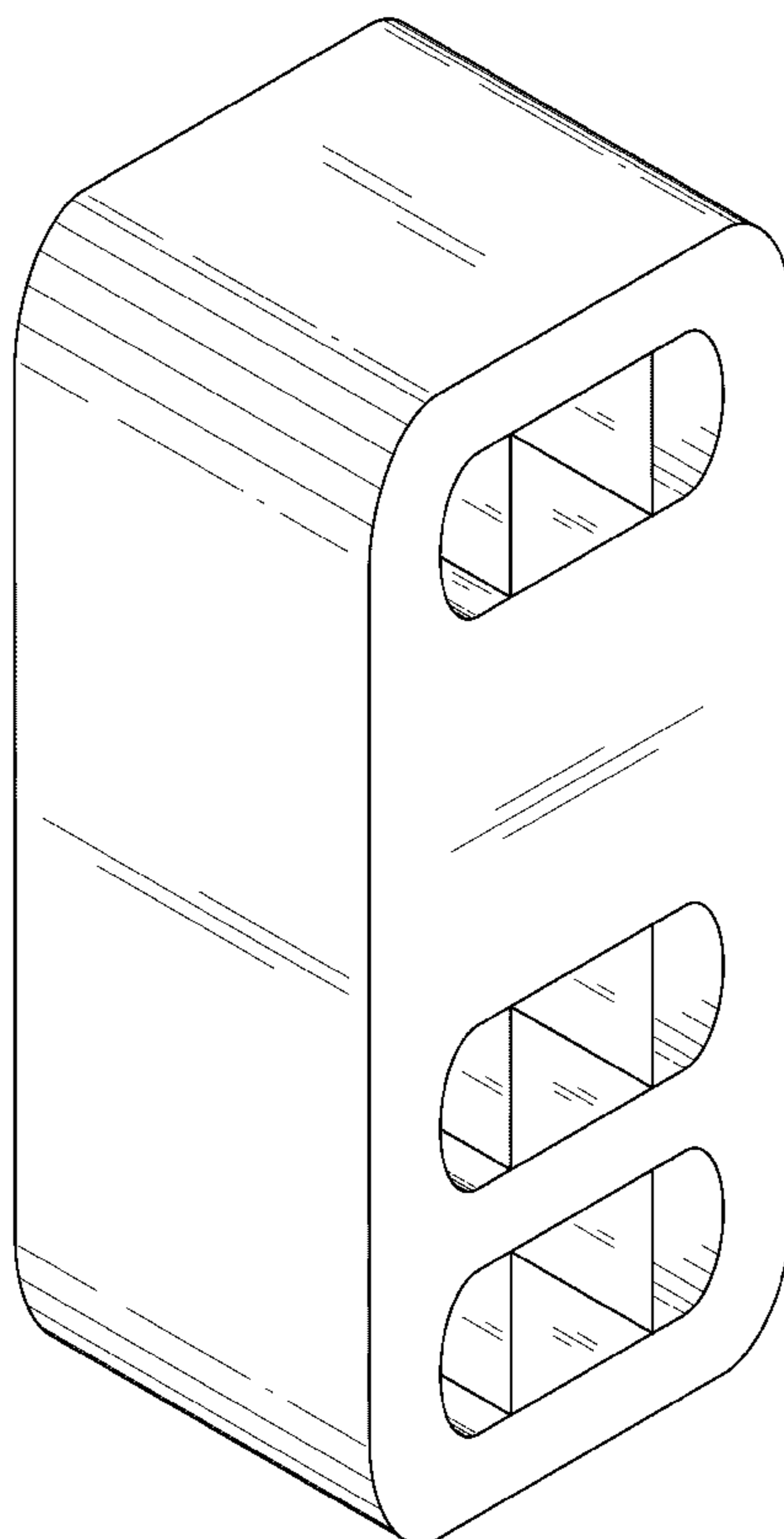
(57) **CLAIM**

The ornamental design for a toe stretch device, as shown and described.

**DESCRIPTION**

FIG. 1 is a top front perspective view of a toe stretch device showing my new design;  
FIG. 2 is a front elevational view thereof;  
FIG. 3 is a rear elevational view thereof;  
FIG. 4 is a side elevational view thereof;  
FIG. 5 is an opposite side elevational view thereof;  
FIG. 6 is a top plan view thereof; and,  
FIG. 7 is a bottom plan view thereof.

**1 Claim, 6 Drawing Sheets**



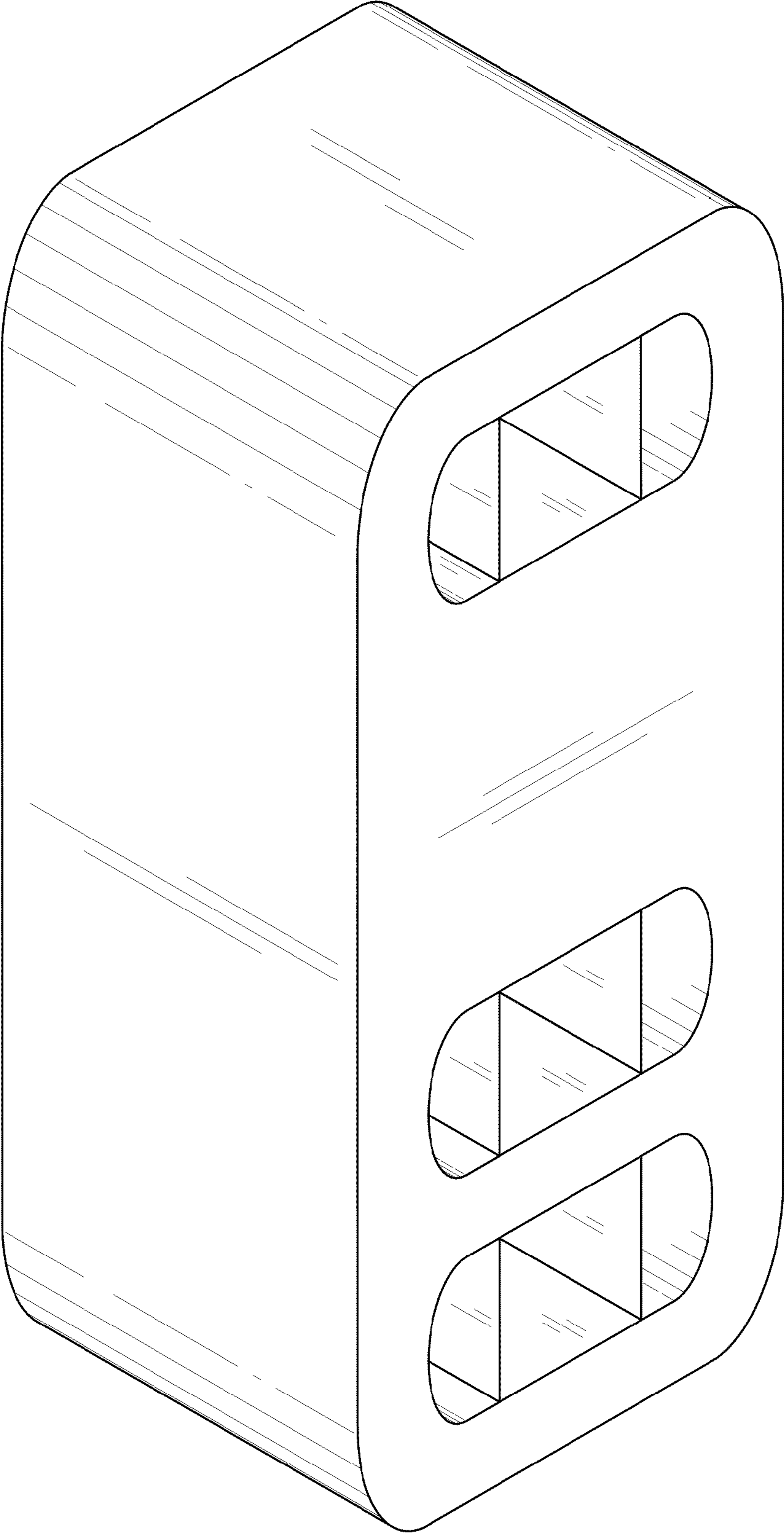


FIG.1

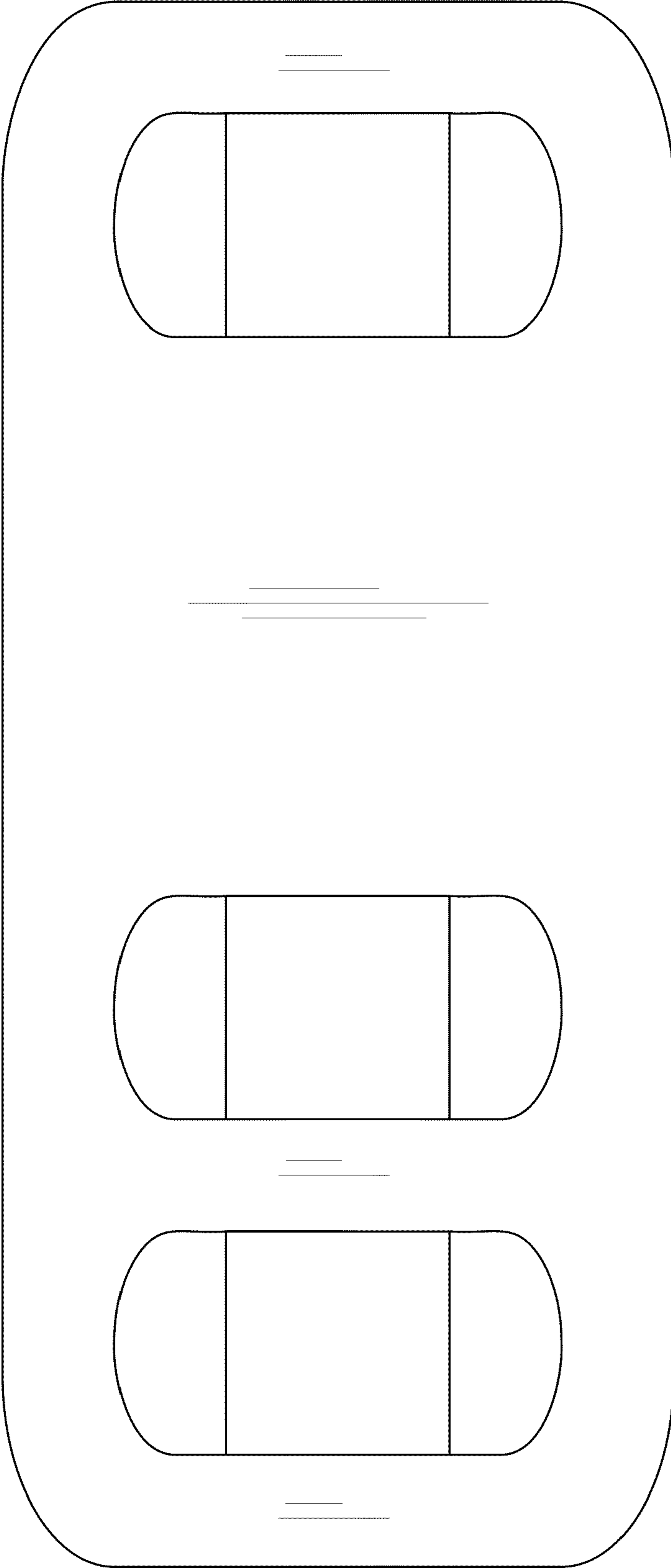


FIG.2

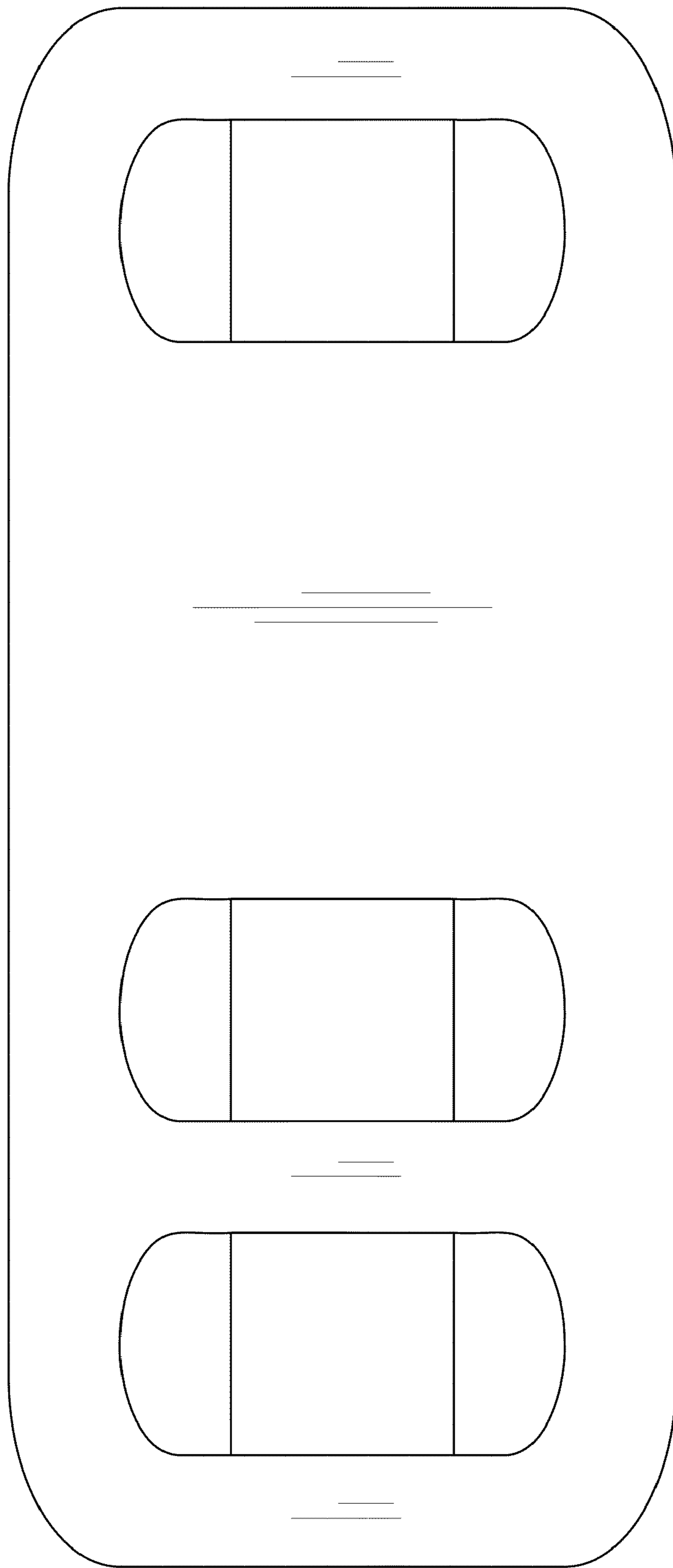


FIG.3

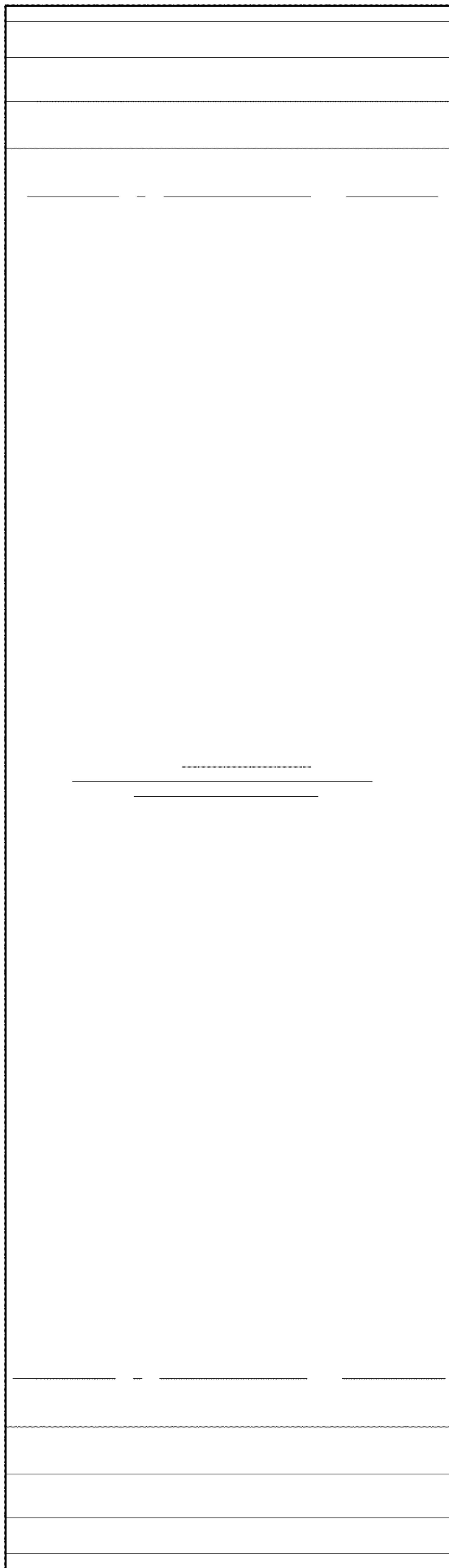


FIG.4

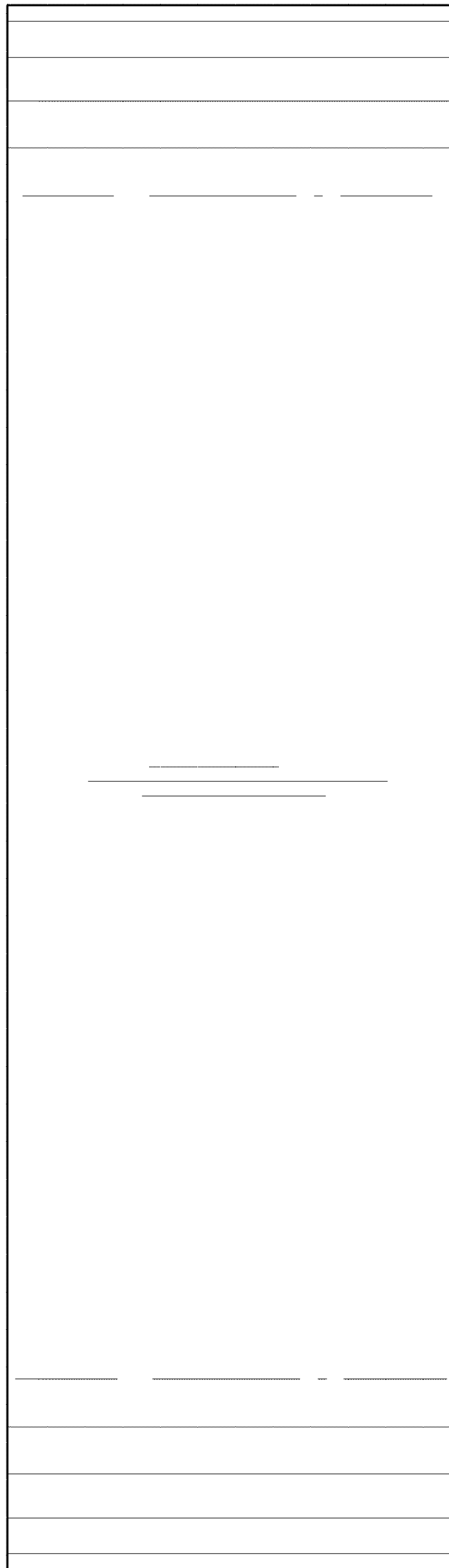


FIG.5

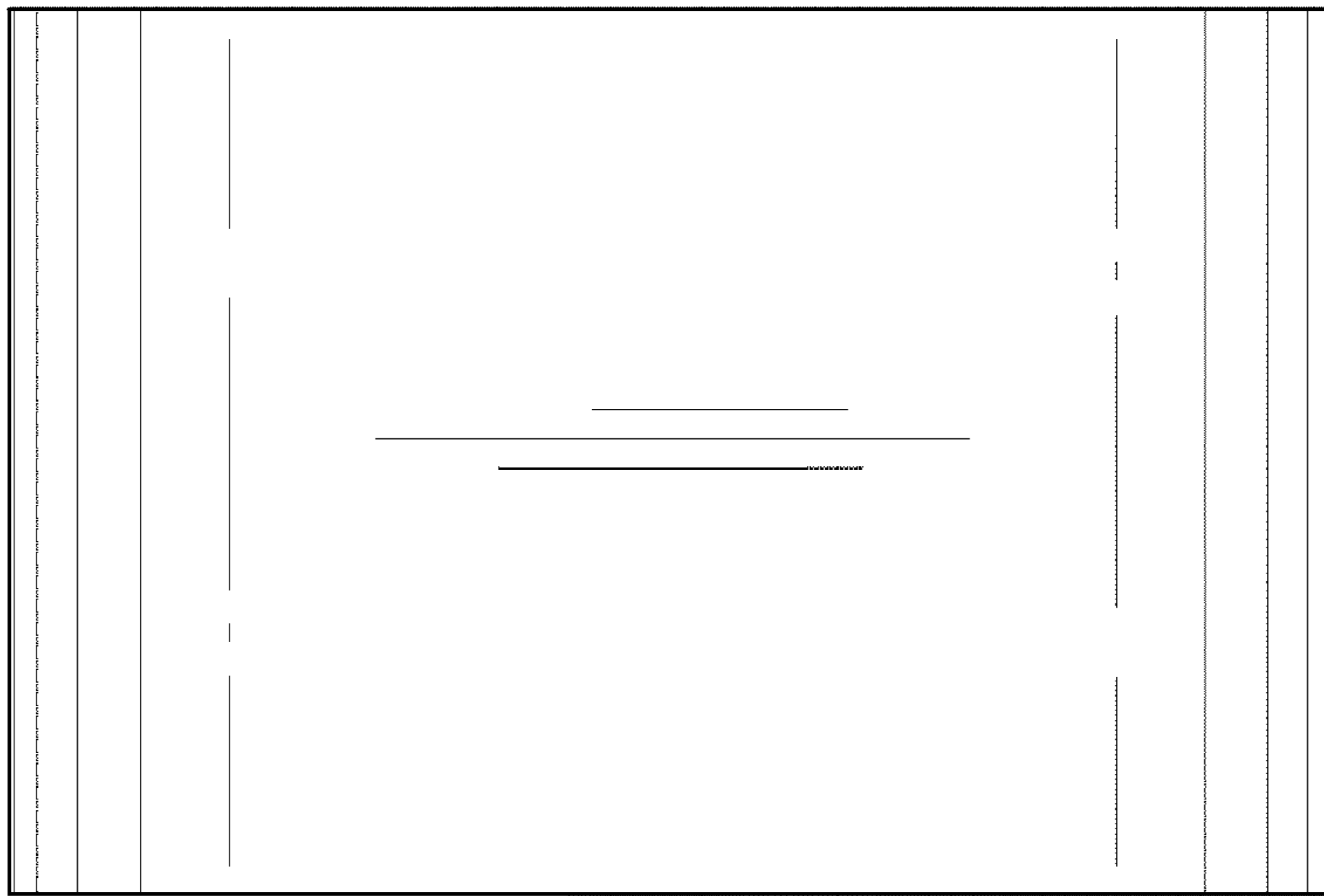


FIG. 6

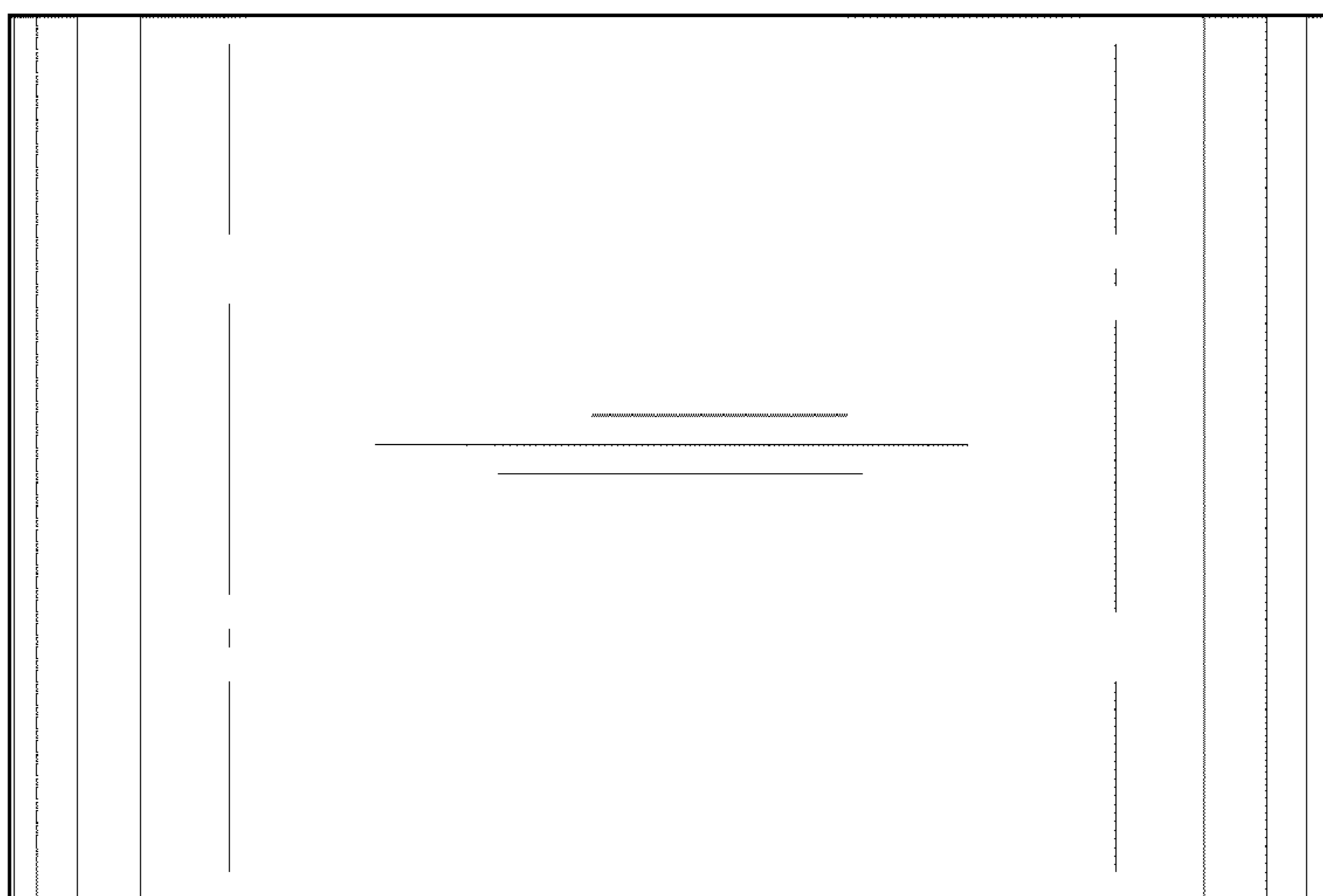


FIG. 7