



US00D646729S

(12) **United States Design Patent**  
**Ujita**

(10) **Patent No.:** **US D646,729 S**  
(45) **Date of Patent:** **\*\* Oct. 11, 2011**

(54) **TOY TOP**

(75) Inventor: **Haruhisa Ujita**, Tokyo (JP)

(73) Assignee: **Tomy Company, Ltd.**, Tokyo (JP)

(\*\*) Term: **14 Years**

(21) Appl. No.: **29/371,353**

(22) Filed: **Jan. 14, 2011**

(30) **Foreign Application Priority Data**

Jul. 14, 2010 (JP) ..... 2010-17213

(51) **LOC (9) Cl.** ..... **21-01**

(52) **U.S. Cl.** ..... **D21/460**

(58) **Field of Classification Search** ..... D21/301,  
D21/385, 390, 398, 436-465, 561, 578, 585;  
446/34-68, 71, 77, 78, 217, 218, 219, 235-267,  
446/421, 429, 430, 435, 450-453, 486, 487,  
446/489-491

See application file for complete search history.

(56) **References Cited**

**U.S. PATENT DOCUMENTS**

214,154 A	4/1879	Johnson
461,948 A	10/1891	Wilson
510,137 A	12/1893	Hollingsworth
615,930 A	12/1898	Warren
1,207,200 A	12/1916	Novak
1,208,431 A	12/1916	Wilcox
1,366,535 A	1/1921	Harrington
1,552,530 A	8/1921	Woods
1,668,695 A	5/1928	Pfaff
1,771,489 A	7/1930	Dochnal
D155,015 S	8/1949	Krapp
2,561,601 A	7/1951	Szonnell
2,789,392 A	4/1957	Palmieri
3,110,125 A	11/1963	Gibson, Jr.
3,220,142 A	11/1965	Butterfield
3,352,055 A	11/1967	Pelkowski

3,613,295 A	10/1971	Everett
4,157,632 A	6/1979	Everett
D262,610 S	1/1982	Westlake et al.
D289,907 S	5/1987	Redding
4,982,961 A	1/1991	Ichimura
D353,632 S	12/1994	Nonaka et al.
D356,347 S	3/1995	Nonaka et al.
5,518,437 A	5/1996	Nonaka et al.
5,593,338 A	1/1997	Itoh et al.
6,604,979 B1	8/2003	Liu
6,626,729 B2	9/2003	Osawa
6,739,939 B2	5/2004	Matsukawa

(Continued)

**FOREIGN PATENT DOCUMENTS**

CN 2034076 3/1989

(Continued)

**OTHER PUBLICATIONS**

European Search Report in Application No. 08253264.9 dated Jun. 25, 2009.

(Continued)

*Primary Examiner* — Catherine Tuttle

(74) *Attorney, Agent, or Firm* — Staas & Halsey LLP

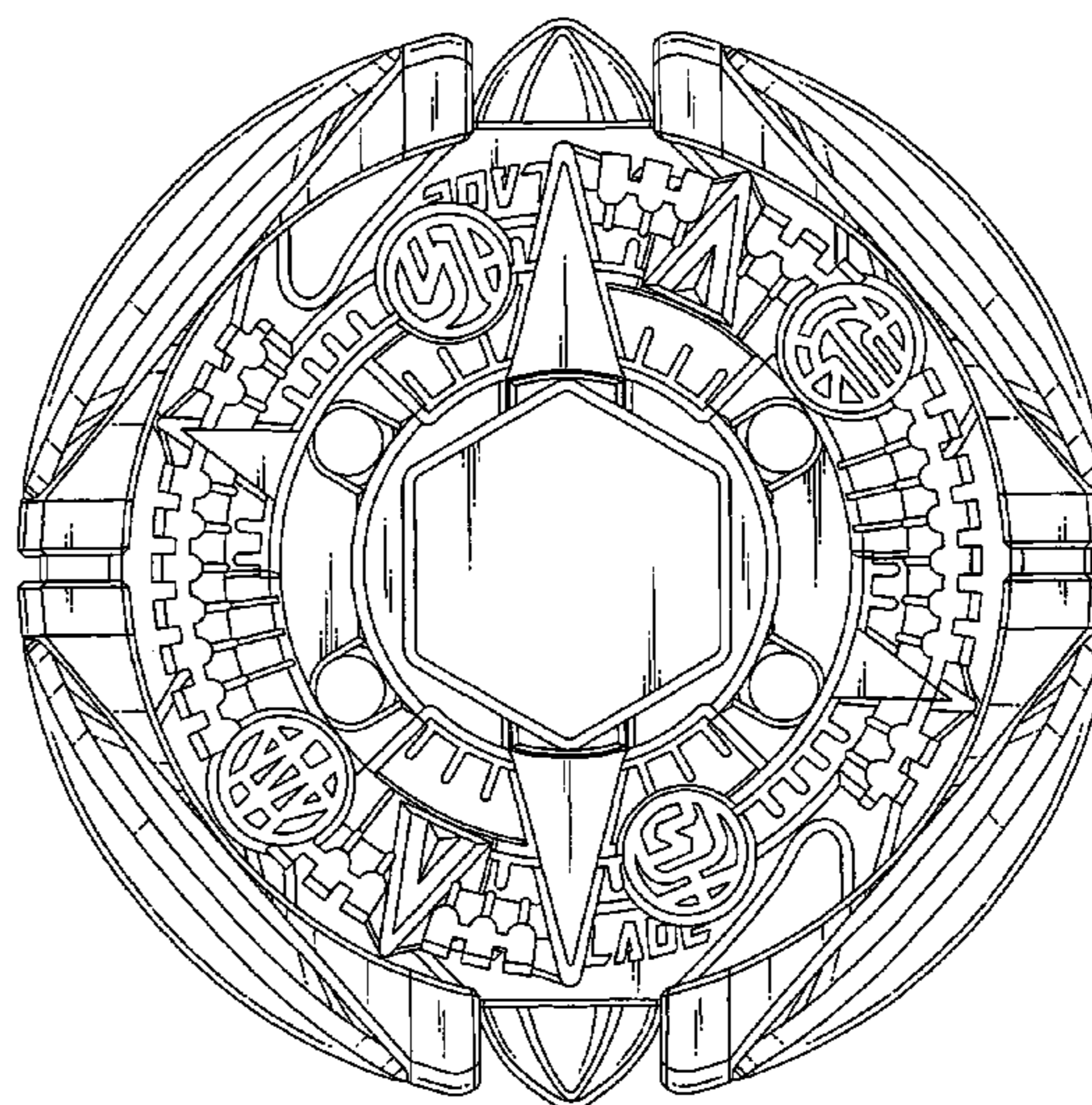
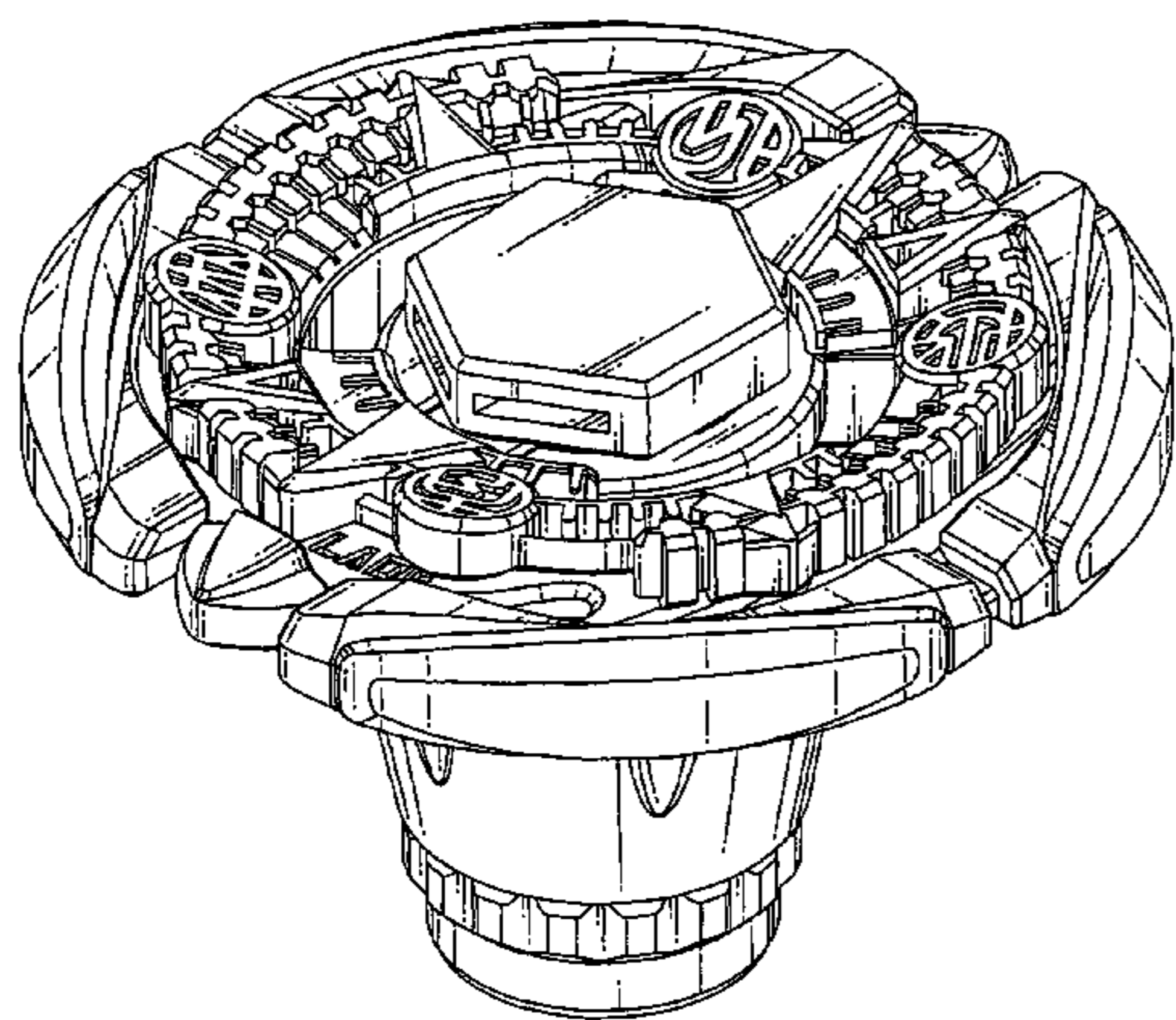
(57) **CLAIM**

The ornamental design for a toy top, as shown.

**DESCRIPTION**

FIG. 1 is a top perspective view of the toy top showing my design;  
FIG. 2 is a front orthographic elevation view thereof;  
FIG. 3 is a rear orthographic elevation view thereof;  
FIG. 4 is a left side elevation view thereof;  
FIG. 5 is a right side elevation view thereof;  
FIG. 6 is a top plan view thereof; and,  
FIG. 7 is a bottom plan view thereof.

**1 Claim, 5 Drawing Sheets**



# US D646,729 S

Page 2

## U.S. PATENT DOCUMENTS

6,743,070	B1	6/2004	Lin	
6,746,300	B1	6/2004	Matsukawa	
6,905,389	B2	6/2005	Matsukawa	
7,063,589	B2	6/2006	Matsukawa et al.	
7,427,225	B2	9/2008	Matsukawa et al.	
D584,366	S	1/2009	Bowen et al.	
D608,842	S	1/2010	Nishimoto	
D610,209	S	2/2010	Nishimoto	
D614,245	S	4/2010	Ujita	
D615,134	S	5/2010	Nishimoto	
D615,602	S	5/2010	Nishimoto	
D629,051	S *	12/2010	Nishimoto	..... D21/460
D629,468	S *	12/2010	Ujita	..... D21/460
2002/0102907	A1	8/2002	Osawa	
2003/0064660	A1	4/2003	Matsukawa	
2004/0198152	A1	10/2004	Matsukawa	
2005/0142983	A1	6/2005	Matsukawa et al.	
2006/0258259	A1	11/2006	Lin	
2009/0253344	A1	10/2009	Ujita et al.	
2009/0253345	A1	10/2009	Ujita et al.	
2010/0159798	A1 *	6/2010	Bertrand et al.	..... 446/259

## FOREIGN PATENT DOCUMENTS

CN	3262744	11/2002
CN	3271036	1/2003
CN	3348660	1/2004
CN	3350220	1/2004
CN	2604212	Y 2/2004
CN	2707340	7/2005
CN	3575984	11/2006
CN	3584728	11/2006
CN	3608255	2/2007
CN	3618938	3/2007
CN	3640746	5/2007
CN	2925561	Y 7/2007
CN	3666036	7/2007
CN	200948357	9/2007
CN	300687773	9/2007
CN	200977395	11/2007
CN	200977396	11/2007
CN	200977397	Y 11/2007
CN	200977398	Y 11/2007
CN	20098446	Y 12/2007
CN	300728092	* 1/2008
CN	300819268	8/2008
CN	300830960	9/2008
CN	300830962	* 9/2008
CN	300831000	* 9/2008
CN	300837565	10/2008
CN	300839702	* 10/2008
CN	300846669	11/2008
CN	300862259	12/2008
CN	300862260	* 12/2008
CN	201186159	1/2009
CN	300894281	3/2009
CN	201214014	Y 4/2009
CN	300901232	4/2009
CN	300909089	4/2009
CN	300929057	5/2009
CN	300929058	5/2009
CN	201271495	Y 7/2009
CN	201279388	Y 7/2009
DE	202 07 253	U1 10/2002
EP	077438	4/1983
EP	2133128	12/2009
JP	3067318	1/2000
JP	3071356	8/2000
JP	3156926	2/2001
JP	3079301	8/2001
JP	3083515	11/2001
JP	3092120	12/2002
JP	2003-103062	4/2003
JP	2003-320174	11/2003
JP	2005-245796	9/2005
JP	2005-328976	12/2005
JP	2006-055333	3/2006
JP	3142474	5/2008

JP	3149383	3/2009
KR	300443240.0000	3/2007
KR	300520338.0000	2/2009
KR	300520339.0000	2/2009
KR	300520340.0000	* 2/2009
KR	300520343.0000	2/2009
KR	300520344.0000	2/2009
WO	WO 2006/133274	12/2006

## OTHER PUBLICATIONS

U.S. Copyright Registration No. VA1-151-590 dated Nov. 15, 2002.  
 U.S. Copyright Registration No. VA1-151-591 dated Nov. 15, 2002.  
 U.S. Copyright Registration No. VA1-151-593 dated Nov. 15, 2002.  
 U.S. Copyright Registration No. VA1-151-595 dated Nov. 15, 2002.  
 U.S. Copyright Registration No. VA1-172-925 dated Oct. 22, 2002.  
 U.S. Copyright Registration No. VA1-172-926 dated Oct. 22, 2002.  
 U.S. Copyright Registration No. VA1-172-932 dated Oct. 22, 2002.  
 U.S. Copyright Registration No. VA1-172-935 dated Oct. 22, 2002.  
 Specimen filed in U.S. Trademark Registration No. 3,002,216 on Jul. 11, 2005.  
 Specimen filed in U.S. Trademark Registration No. 2,709,995 on Nov. 12, 2002.  
 Apr. 2, 2009 Office Action in co-pending U.S. Appl. No. 29/309,758.  
 Apr. 7, 2009 Notice of Allowance in co-pending U.S. Appl. No. 29/309,762.  
 Apr. 7, 2009 Notice of Allowance in co-pending U.S. Appl. No. 29/309,764.  
 Apr. 15, 2009 Office Action in co-pending U.S. Appl. No. 29/309,759.  
 Apr. 15, 2009 Office Action in co-pending U.S. Appl. No. 29/309,761.  
 Apr. 15, 2009 Office Action in co-pending U.S. Appl. No. 29/309,766.  
 Apr. 16, 2009 Office Action in co-pending U.S. Appl. No. 29/309,768.  
 Sep. 3, 2009 Notice of Allowance in co-pending U.S. Appl. No. 29/309,762.  
 Sep. 3, 2009 Notice of Allowance in co-pending U.S. Appl. No. 29/309,764.  
 Office Action mailed Nov. 27, 2009 in co-pending U.S. Appl. No. 29/311,821.  
 Office Action mailed Nov. 27, 2009 in co-pending U.S. Appl. No. 29/311,775.  
 Notice of Allowance mailed Nov. 30, 2009 in co-pending U.S. Appl. No. 29/309,766.  
 Notice of Allowance mailed Nov. 30, 2009 in co-pending U.S. Appl. No. 29/309,758.  
 Notice of Allowance mailed Dec. 1, 2009 in co-pending U.S. Appl. No. 29/311,777.  
 Office Action mailed Apr. 21, 2010 in co-pending U.S. Appl. No. 29/311,821.  
 Office Action mailed Jul. 6, 2010 in co-pending U.S. Appl. No. 29/311,775.  
 Notice of Allowance mailed Aug. 16, 2010 in U.S. Appl. No. 29/347,645.  
 Office Action mailed Aug. 18, 2010 in U.S. Appl. No. 29/347,147.  
 Notice of Allowance mailed Aug. 19, 2010 in U.S. Appl. No. 29/311,776.  
 Notice of Allowance mailed Aug. 20, 2010 in U.S. Appl. No. 29/347,188.  
 Notice of Allowance mailed Aug. 30, 2010 in U.S. Appl. No. 29/347,646.  
 U.S. Appl. No. 12/285,877, filed Oct. 15, 2008, Ujita et al., Tomy Company, Ltd.  
 U.S. Appl. No. 29/311,775, filed Jun. 17, 2009, Ujita, Tomy Company, Ltd.  
 U.S. Appl. No. 29/347,147, filed Sep. 30, 2009, Nishimoto, Tomy Company, Ltd.  
 U.S. Appl. No. 12/659,660, filed Mar. 16, 2010, Ujita, Tomy Company, Ltd.  
 U.S. Appl. No. 29/347,730, filed Apr. 26, 2010, Ujita, Tomy Company, Ltd.

# US D646,729 S

Page 3

---

U.S. Appl. No. 29/347,838, filed Jun. 21, 2010, Nishimoto, Tomy Company, Ltd.

U.S. Appl. No. 29/347,888, filed Jul. 12, 2010, Ujita, Tomy Company, Ltd.

U.S. Appl. No. 12/805,627, filed Aug. 10, 2010, Ujita et al., Tomy Company, Ltd.

U.S. Appl. No. 12/895,196, filed Sep. 30, 2010, Ujita et al., Tomy Company, Ltd.

U.S. Appl. No. 12/895,241, filed Sep. 30, 2010, Ujita et al., Tomy Company, Ltd.

\* cited by examiner

Fig. 1

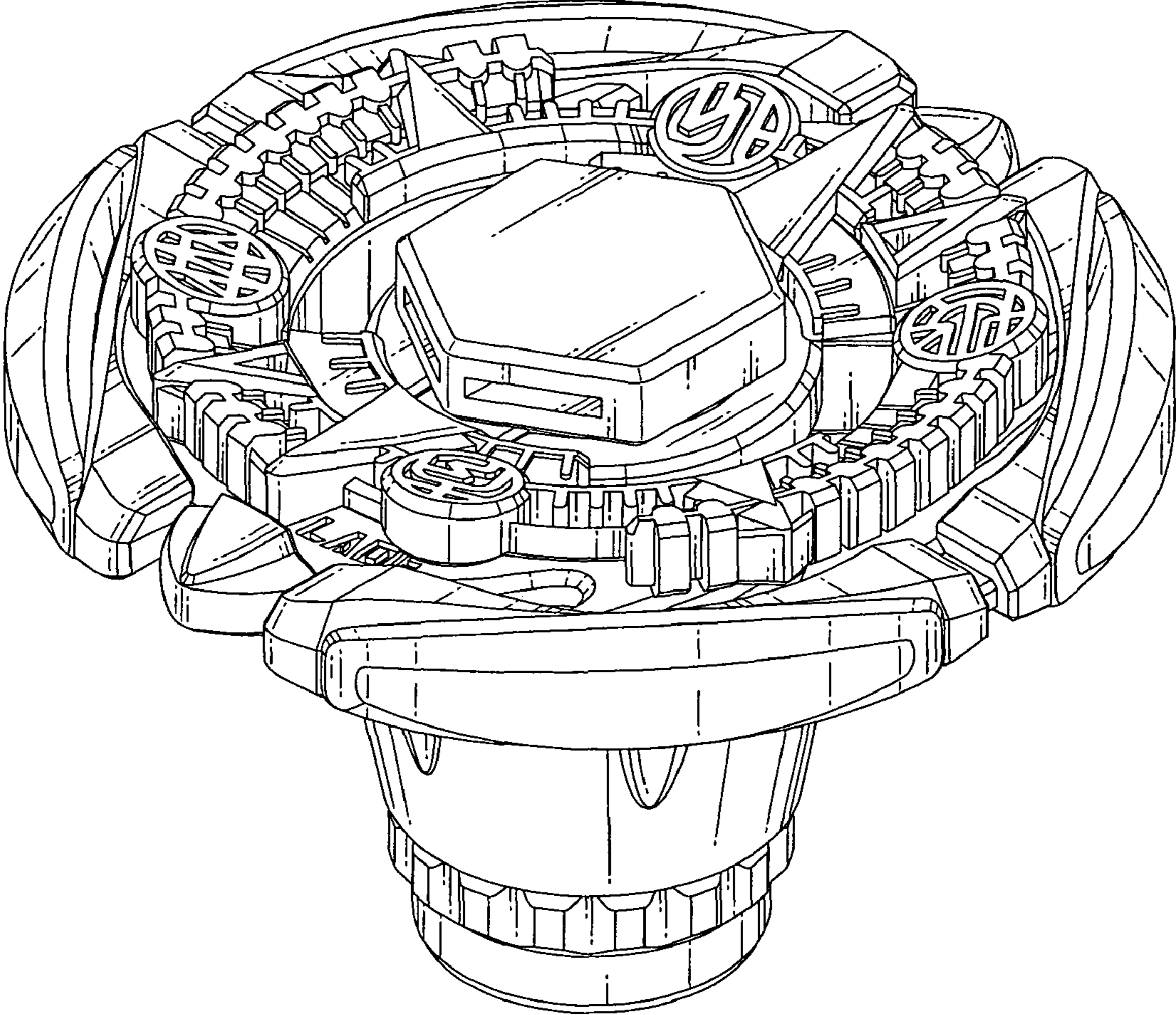


Fig. 2

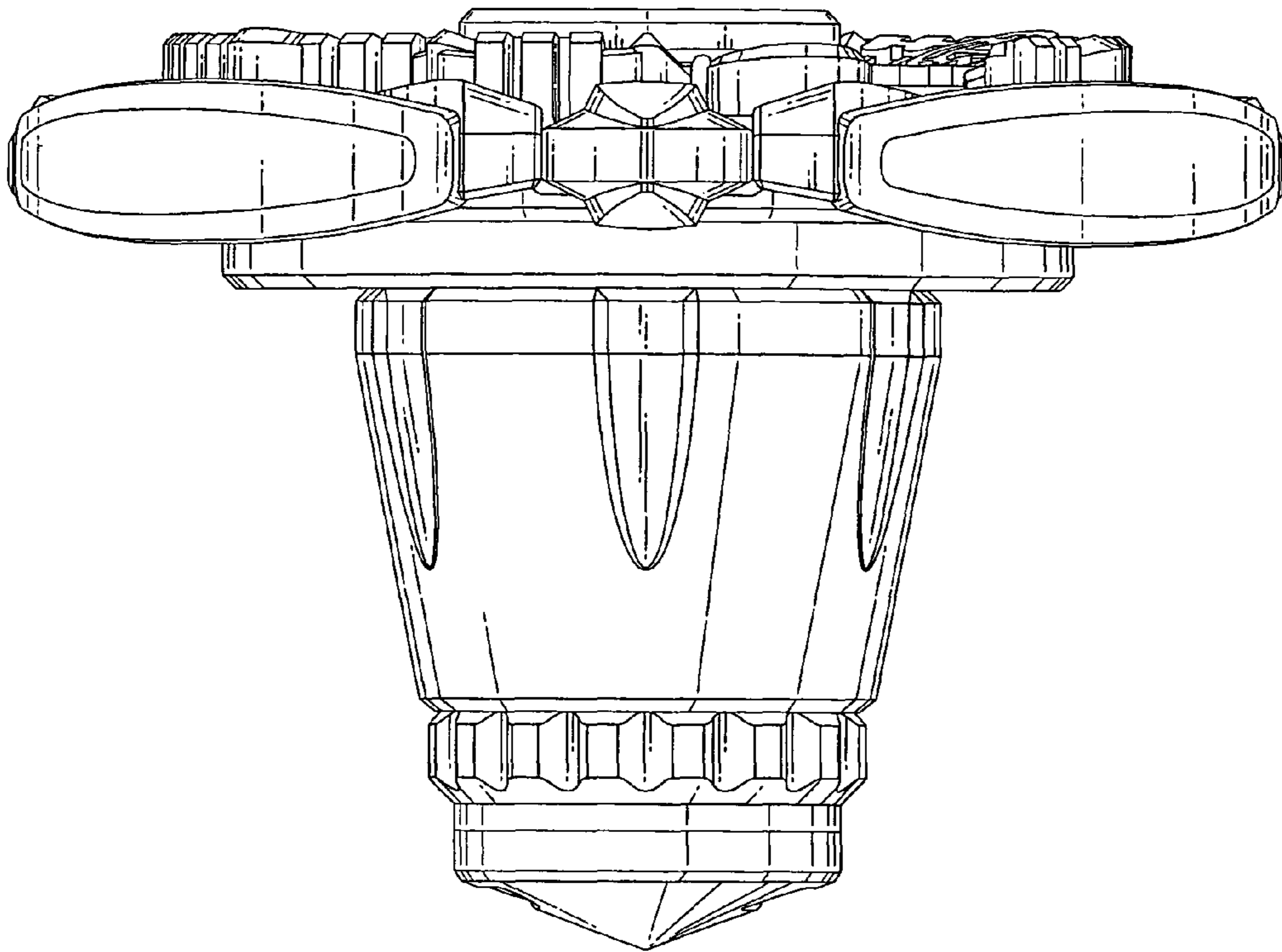


Fig. 3

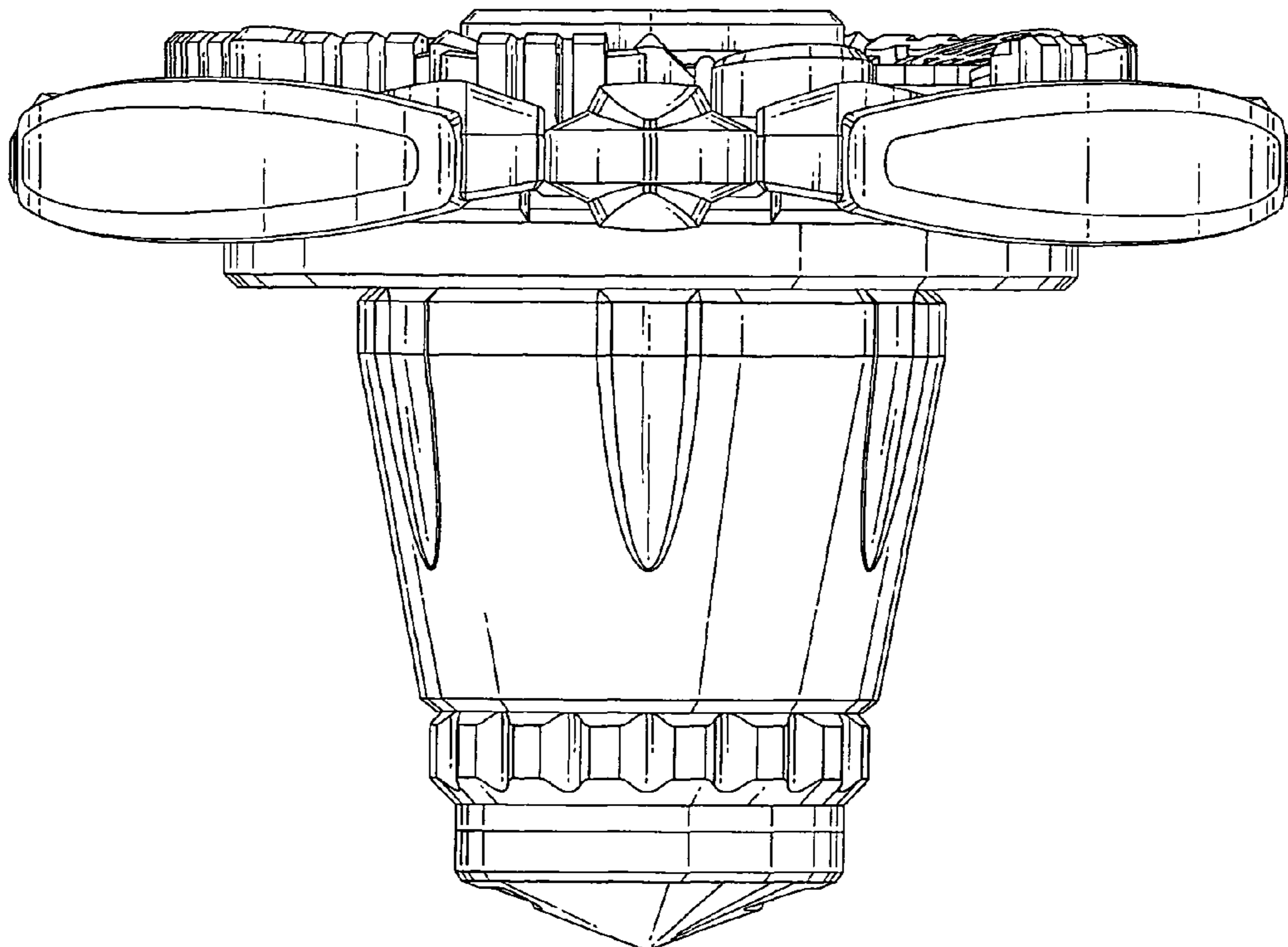


Fig. 4

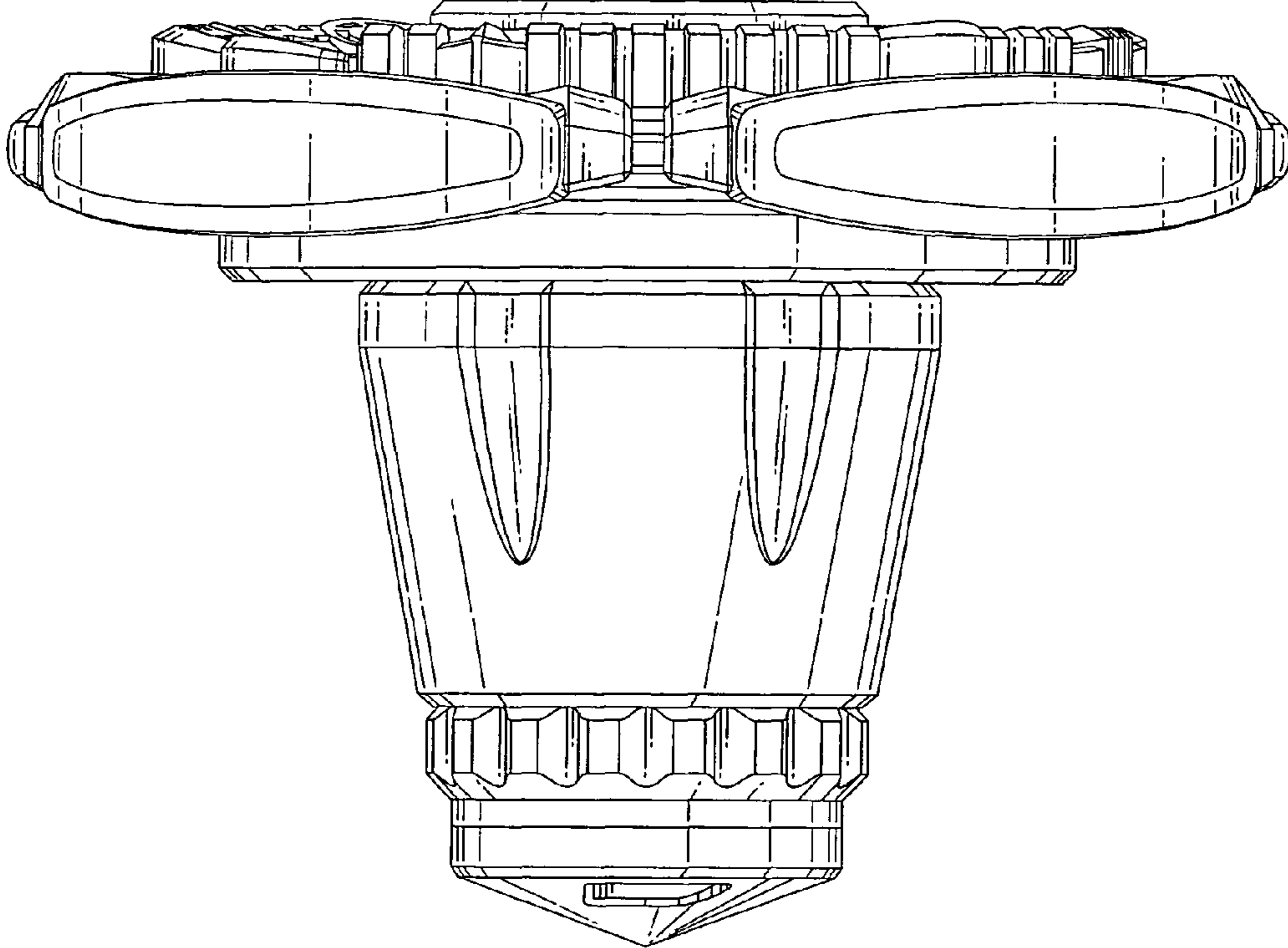


Fig. 5

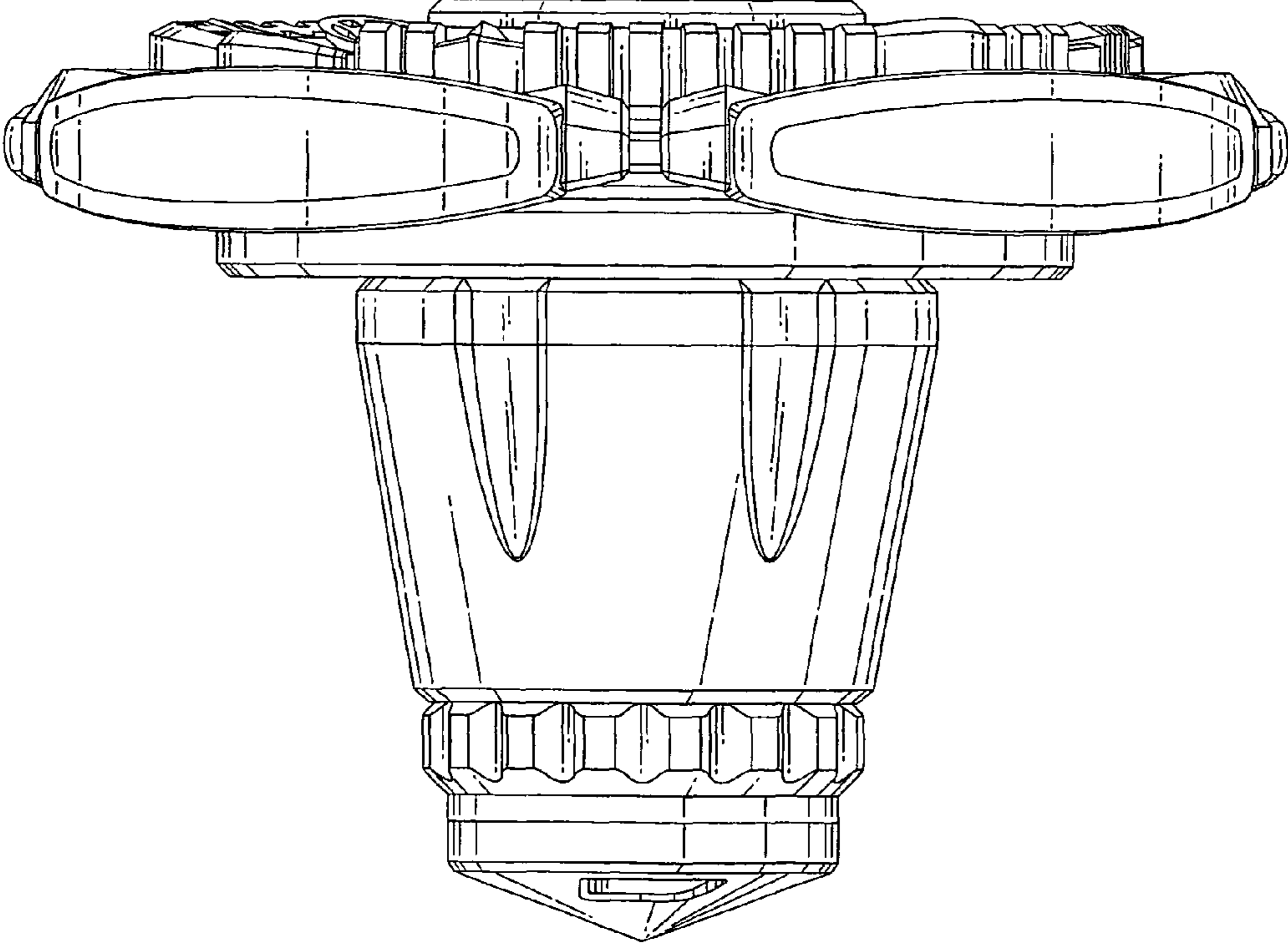


Fig. 6

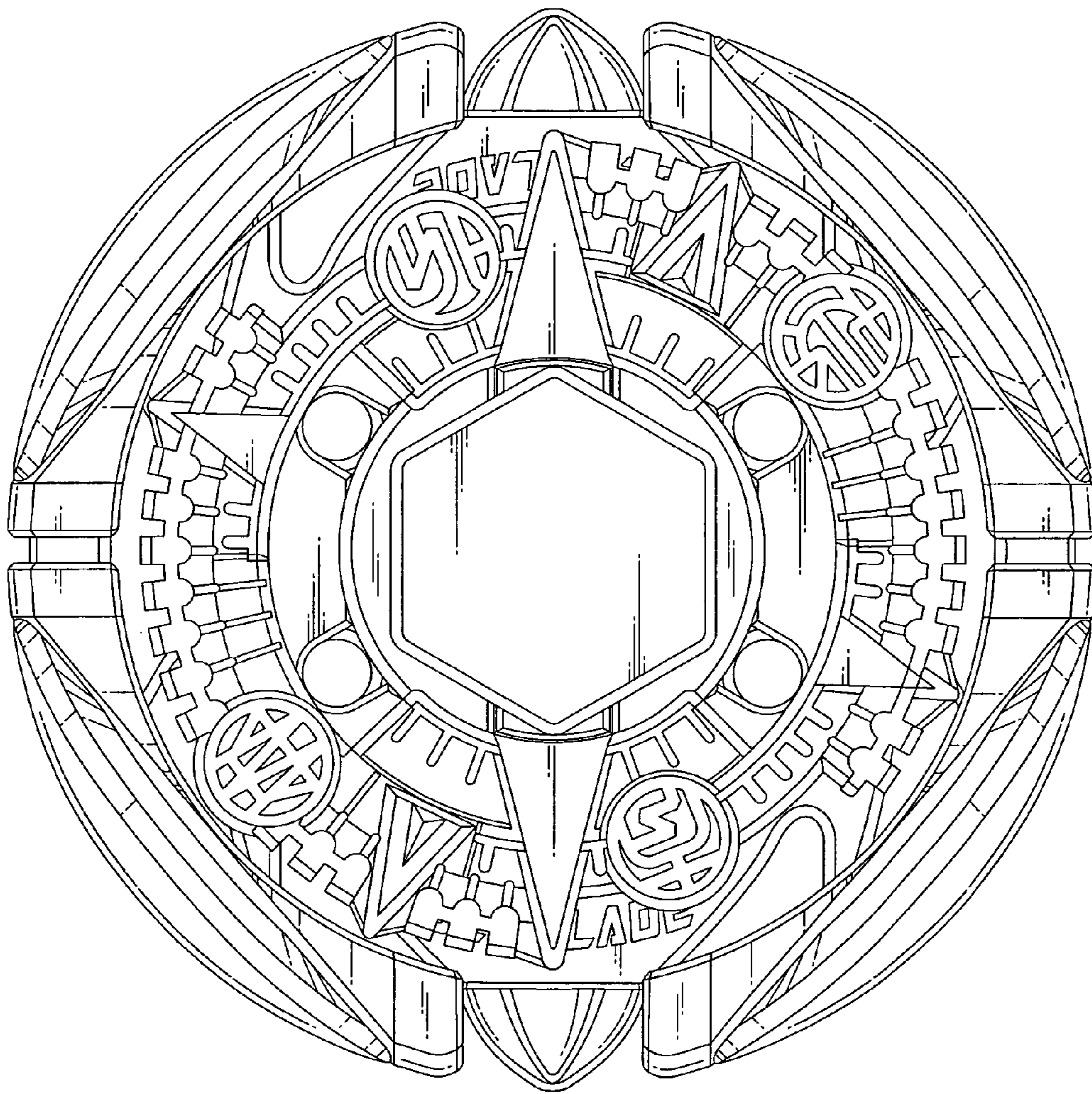


Fig. 7

