



US00D646728S

(12) **United States Design Patent**
Cheng

(10) **Patent No.:** **US D646,728 S**

(45) **Date of Patent:** **** *Oct. 11, 2011**

(54) **FOLDABLE ROTOR BLADE FOR TOY HELICOPTER**

(76) Inventor: **Randy Cheng**, San Gabriel, CA (US)

(*) Notice: This patent is subject to a terminal disclaimer.

(**) Term: **14 Years**

(21) Appl. No.: **29/349,667**

(22) Filed: **Apr. 21, 2010**

(51) **LOC (9) Cl.** **21-01**

(52) **U.S. Cl.** **D21/453; D21/442**

(58) **Field of Classification Search** D12/325–329,
D12/339–345; D21/441–442, 447–453;
244/17.11, 17.13, 17.19, 17.23, 17.25; 446/34,
446/36, 230–232

See application file for complete search history.

(56) **References Cited**

U.S. PATENT DOCUMENTS

3,124,897	A *	3/1964	Shapiro	446/36
3,722,132	A *	3/1973	Seefluth	446/36
D290,978	S *	7/1987	Capo et al.	D21/436
4,718,874	A *	1/1988	Warren	446/36
D544,825	S *	6/2007	Van de Rostyne et al.	..	D12/345
D554,040	S *	10/2007	Van de Rostyne et al.	..	D12/345
D561,084	S *	2/2008	Wai	D12/345
D561,085	S *	2/2008	Wai	D12/345
D561,679	S *	2/2008	Wai	D12/345
D579,403	S *	10/2008	Van de Rostyne et al.	..	D12/326
D582,833	S *	12/2008	Van De Rostyne et al.	..	D12/345
D583,297	S *	12/2008	Van De Rostyne et al.	..	D12/345

* cited by examiner

Primary Examiner — Sandra Morris

(74) *Attorney, Agent, or Firm* — Raymond Y. Chan; David and Raymond Patent Firm

(57) **CLAIM**

The ornamental design for a foldable rotor blade for toy helicopter, as shown and described.

DESCRIPTION

FIG. 1 is a perspective view of foldable rotor blade for toy helicopter showing my new design.

FIG. 2 is a top view thereof.

FIG. 3 is a bottom view thereof. The broken line at the center portion of the blade is for illustrative purpose only and forms no parts of the claimed design.

FIG. 4 is a front view thereof.

FIG. 5 is a rear view thereof.

FIG. 6 is a left view thereof.

FIG. 7 is a right view thereof.

FIG. 8 is a top view of the foldable rotor blade of the new design, illustrating the blades being pivotally folded at one direction.

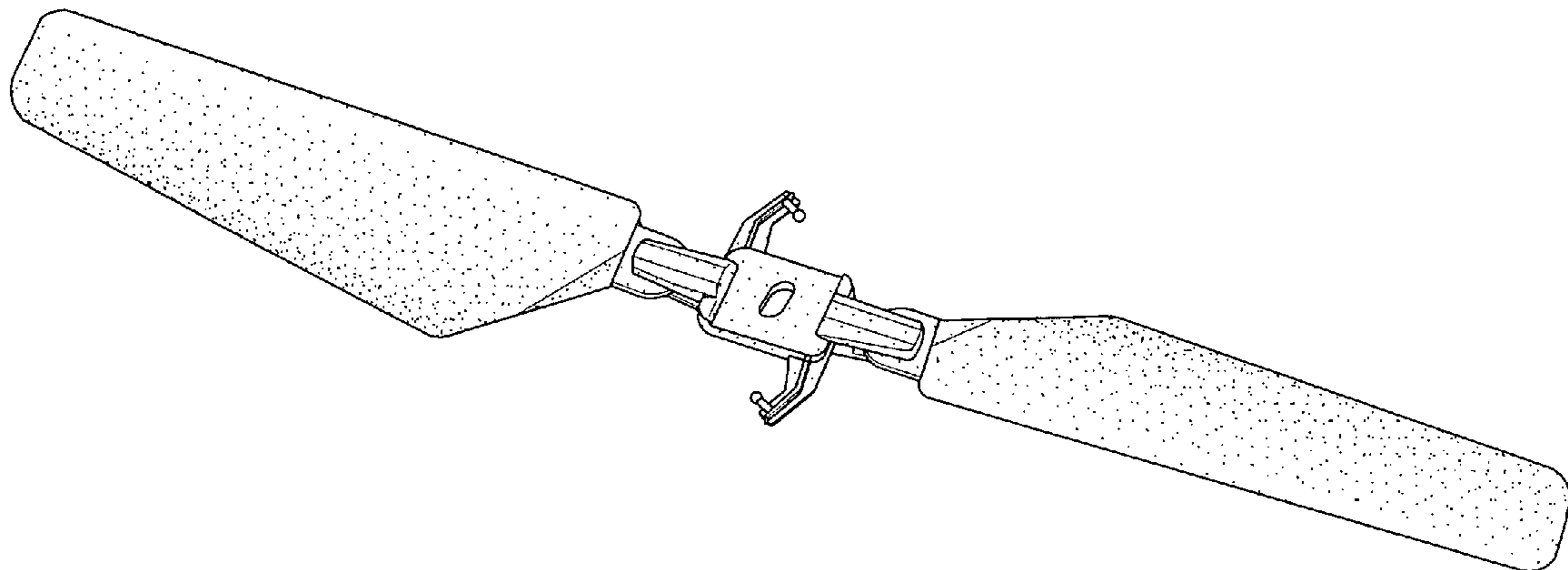
FIG. 9 is a top view of the foldable rotor blade of the new design, illustrating the blades being pivotally folded at an opposite direction.

FIG. 10 is a perspective view of the new design thereof, illustrating the foldable rotor blade being mounted at the top helicopter, wherein the broken lines of the top helicopter shown in FIG. 10 no part of the claimed design; and,

FIG. 11 is a perspective view of the new design thereof, illustrating two of the foldable rotor blade being mounted at the top helicopter to form a double-blade system thereof, wherein the broken lines of the top helicopter shown in FIG. 11 no part of the claimed design.

It is understood that the broken lines in the drawing are for illustrative purposes only and forms no part of the claimed design.

1 Claim, 11 Drawing Sheets



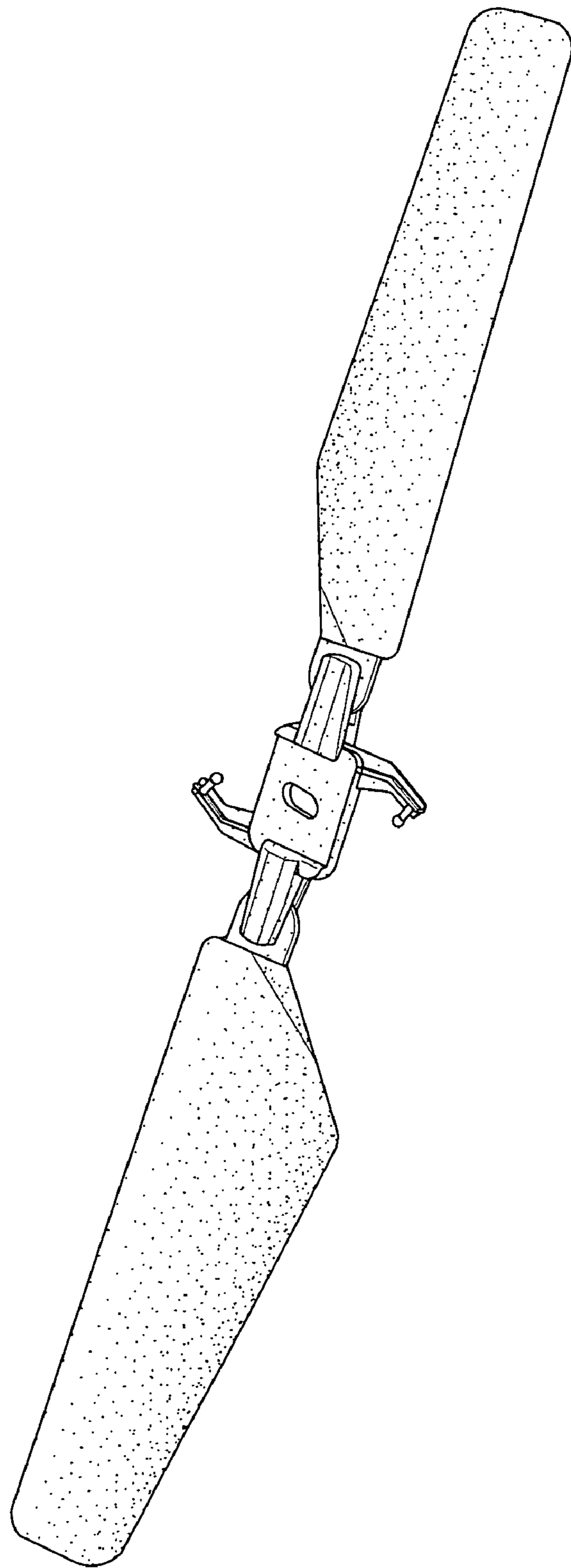


Fig. 1

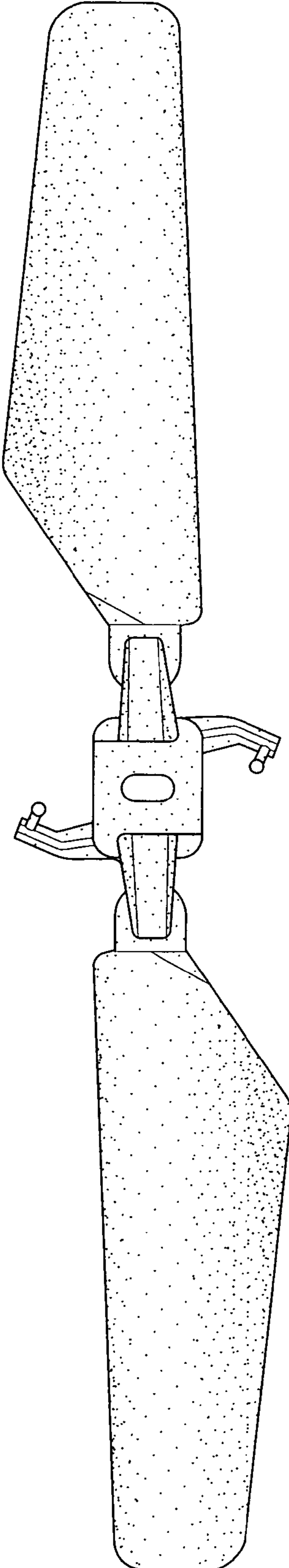


Fig.2

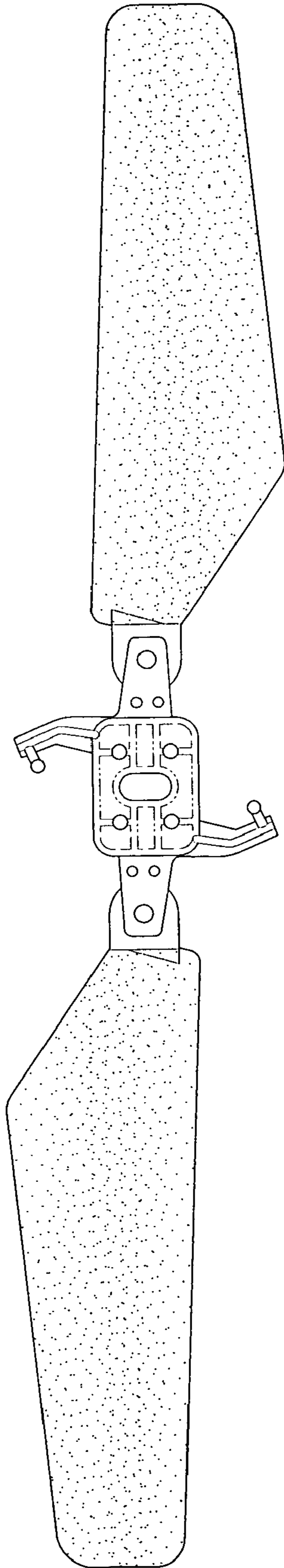


Fig.3

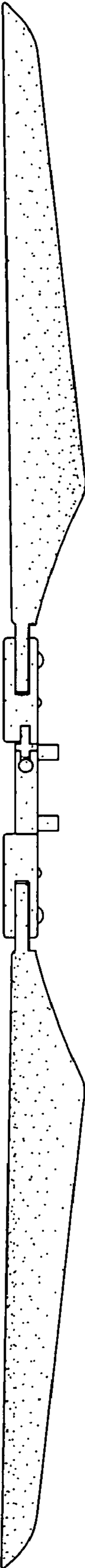


Fig.4

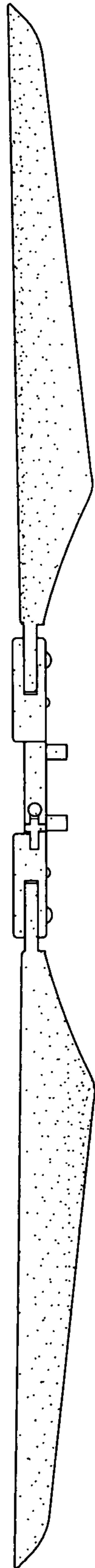


Fig. 5

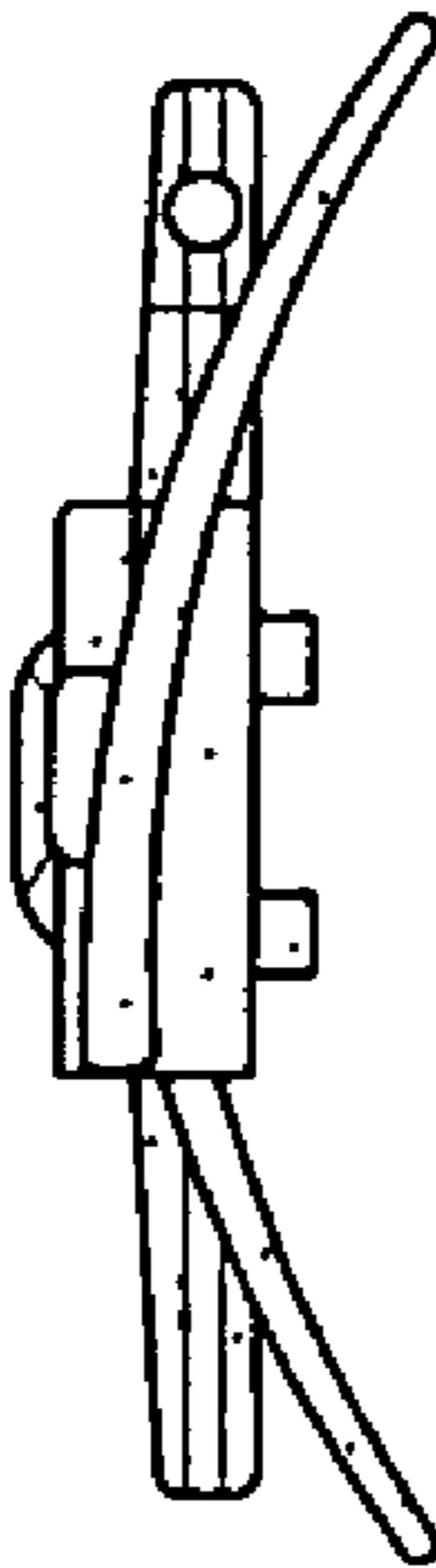


Fig. 6

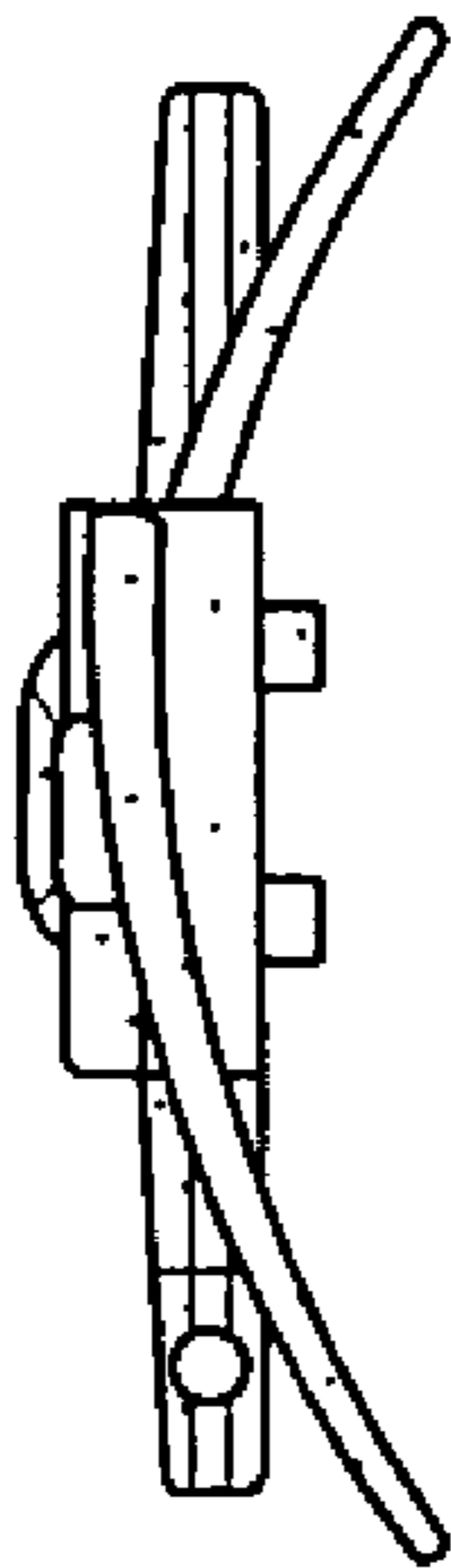


Fig. 7

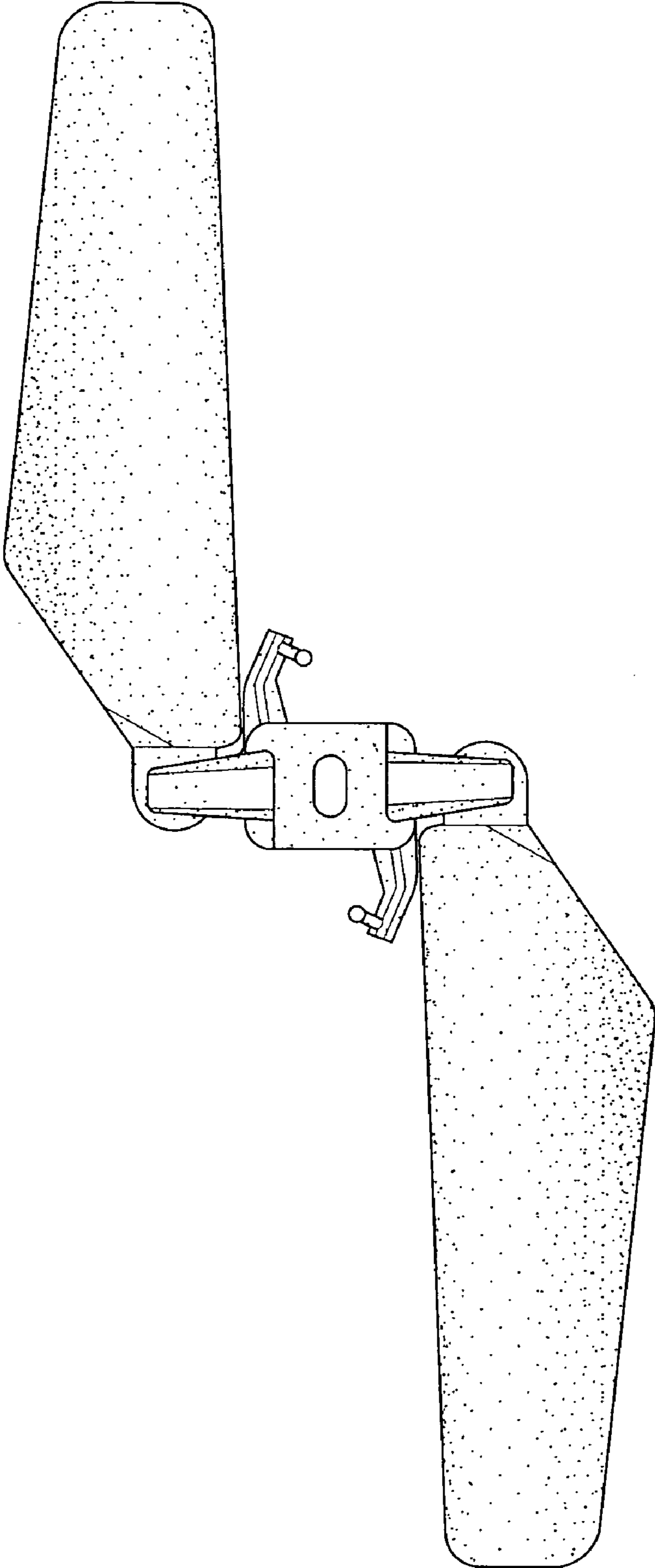


Fig.8

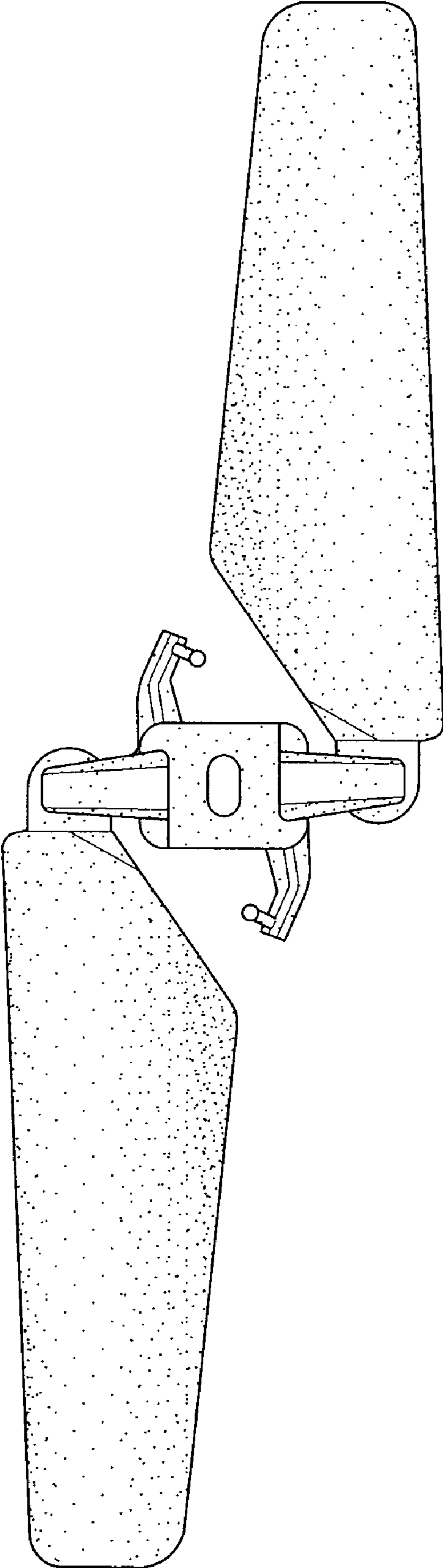


Fig. 9

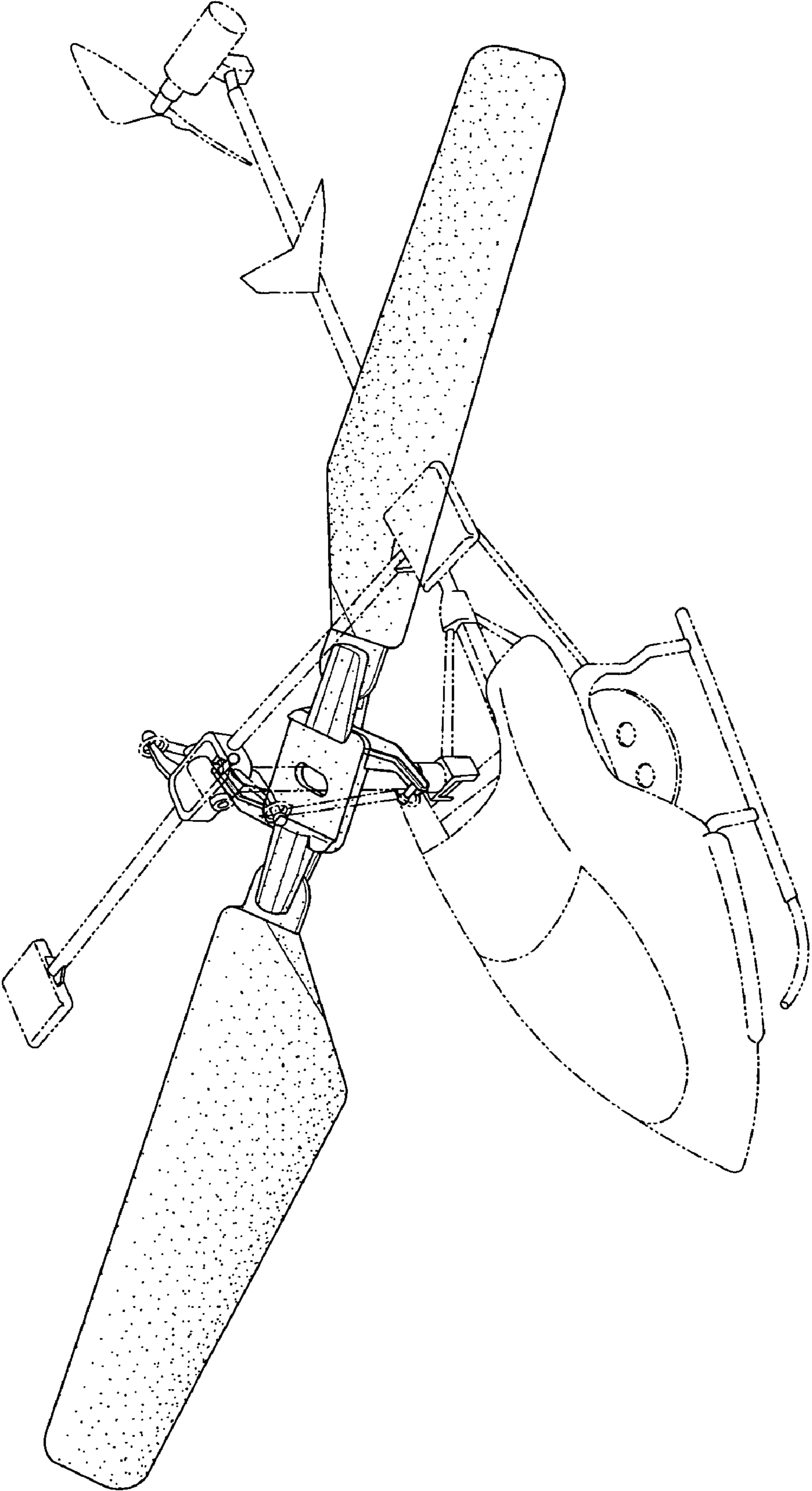


Fig. 10

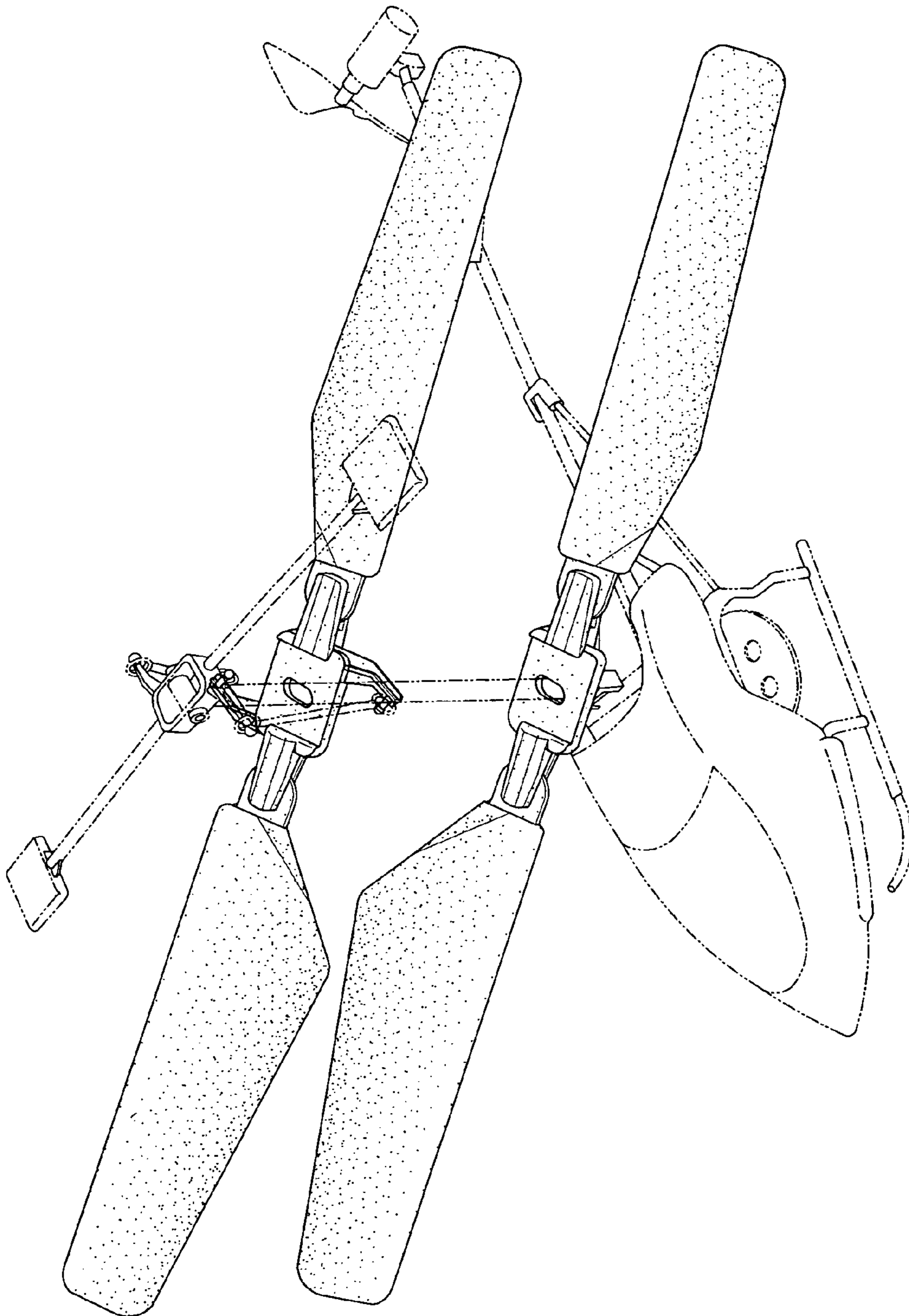


Fig.11