



US00D646727S

(12) **United States Design Patent**
Daniel et al.

(10) **Patent No.:** **US D646,727 S**

(45) **Date of Patent:** **** Oct. 11, 2011**

(54) **PLAY AND GO INTELLIGENT GAME
CONTROLLER WITH HAND GRIP**

(76) Inventors: **Olamide Daniel**, Miami, FL (US);
Roberto Quiles, Miami, FL (US)

(**) Term: **14 Years**

(21) Appl. No.: **29/316,396**

(22) Filed: **Sep. 21, 2009**
(Under 37 CFR 1.47)

(51) **LOC (9) Cl.** **21-01**

(52) **U.S. Cl.** **D21/333**

(58) **Field of Classification Search** D21/324-333;
D14/341-347, 432, 433, 435, 217, 256; D13/133,
D13/146, 147, 184, 189; 273/148 B; 463/1,
463/29-35, 46, 49; 439/180, 188, 476.1,
439/892, 894, 907, 908

See application file for complete search history.

(56) **References Cited**

U.S. PATENT DOCUMENTS

D466,951	S *	12/2002	Hang	D21/333
D470,161	S *	2/2003	Lee	D16/135
6,722,984	B1 *	4/2004	Sweeney et al.	341/176
6,760,013	B2 *	7/2004	Willner et al.	345/169
6,835,131	B1 *	12/2004	White et al.	463/1
7,016,185	B2 *	3/2006	Chen et al.	361/679.4

D541,876	S *	5/2007	Avery	D21/332
D592,114	S *	5/2009	Tombazis	D12/176
D624,129	S *	9/2010	Lim et al.	D21/333
D632,339	S *	2/2011	Holcomb et al.	D21/333
D632,742	S *	2/2011	Mueller	D21/333
7,933,561	B2 *	4/2011	Sanguinetti	455/78
D639,865	S *	6/2011	Sogabe et al.	D21/333

* cited by examiner

Primary Examiner — Prabhakar Deshmukh

(74) *Attorney, Agent, or Firm* — Carol N. Green, Esq.

(57) **CLAIM**

The ornamental design for a play and go intelligent game controller with hand grip, as shown and described.

DESCRIPTION

FIG. 1 is a top, front and left perspective view of a play and go intelligent game controller with hand grip showing our new design;

FIG. 2 is a top, front and right perspective view thereof;

FIG. 3 is a front elevational view thereof;

FIG. 4 is a left side elevational view thereof;

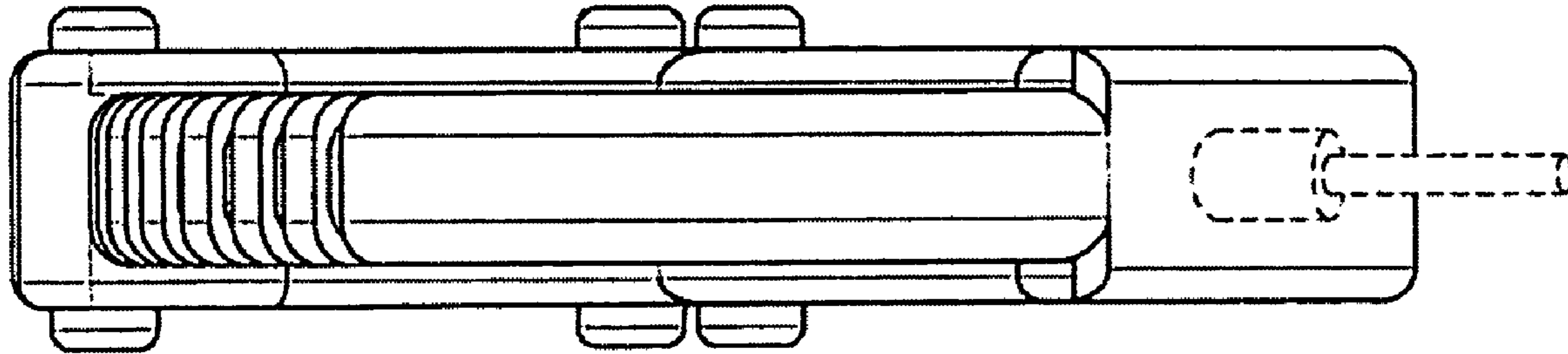
FIG. 5 is a right side elevational view thereof;

FIG. 6 is a top plan view thereof; and,

FIG. 7 is a bottom plan view thereof.

The broken lines environment is for illustrative purpose only and forms no part of the claimed design.

1 Claim, 5 Drawing Sheets



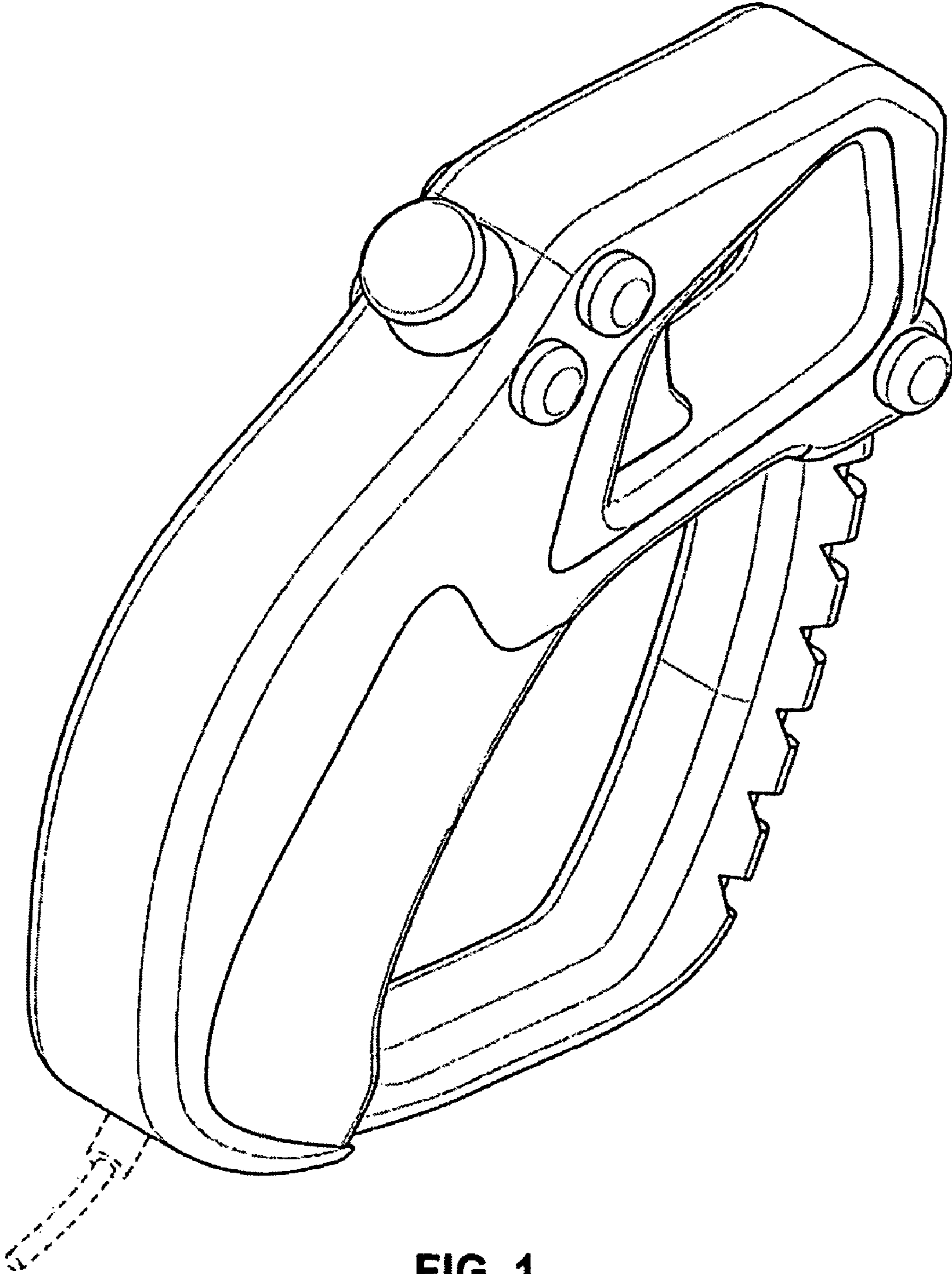


FIG. 1

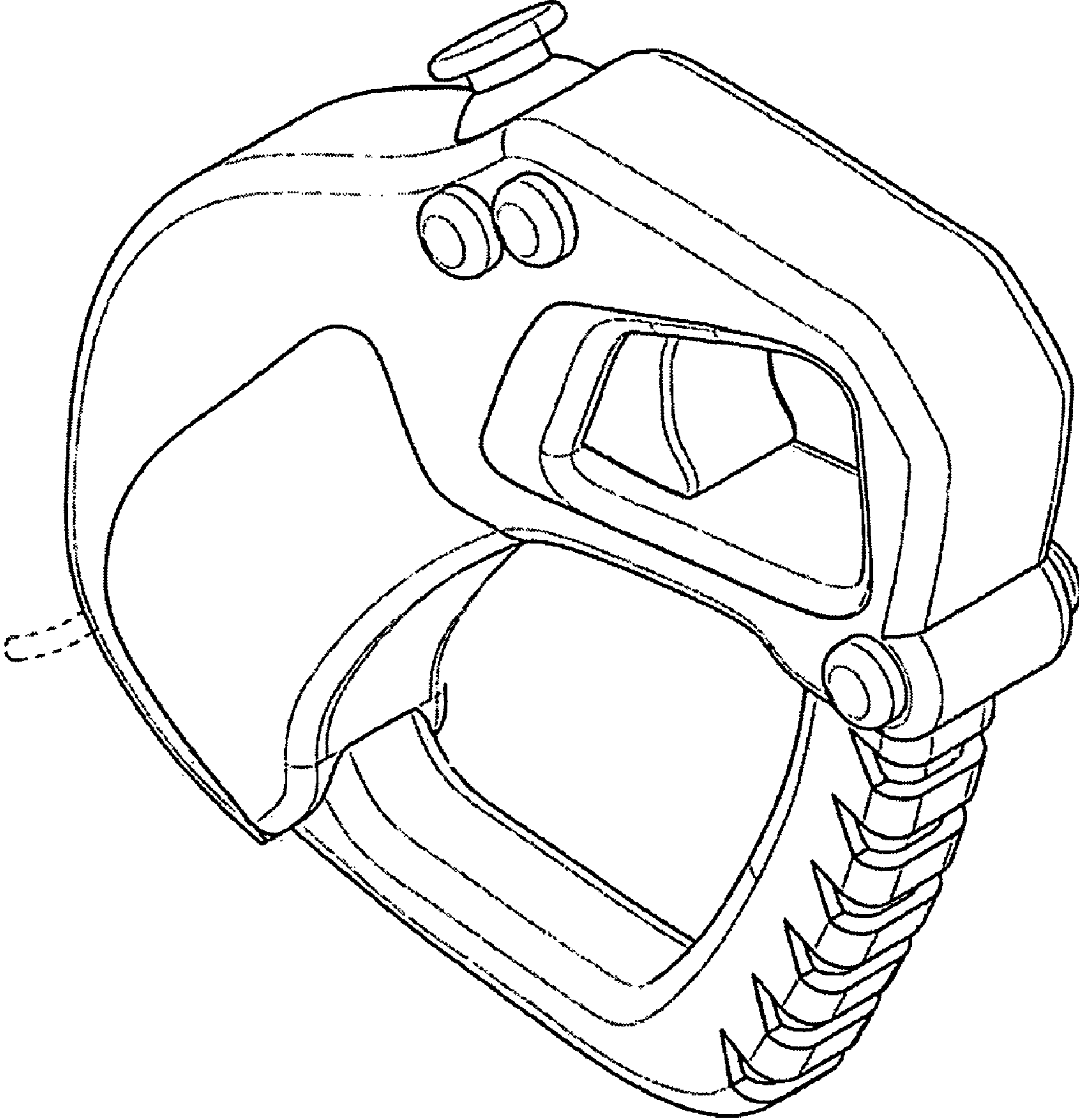


FIG. 2

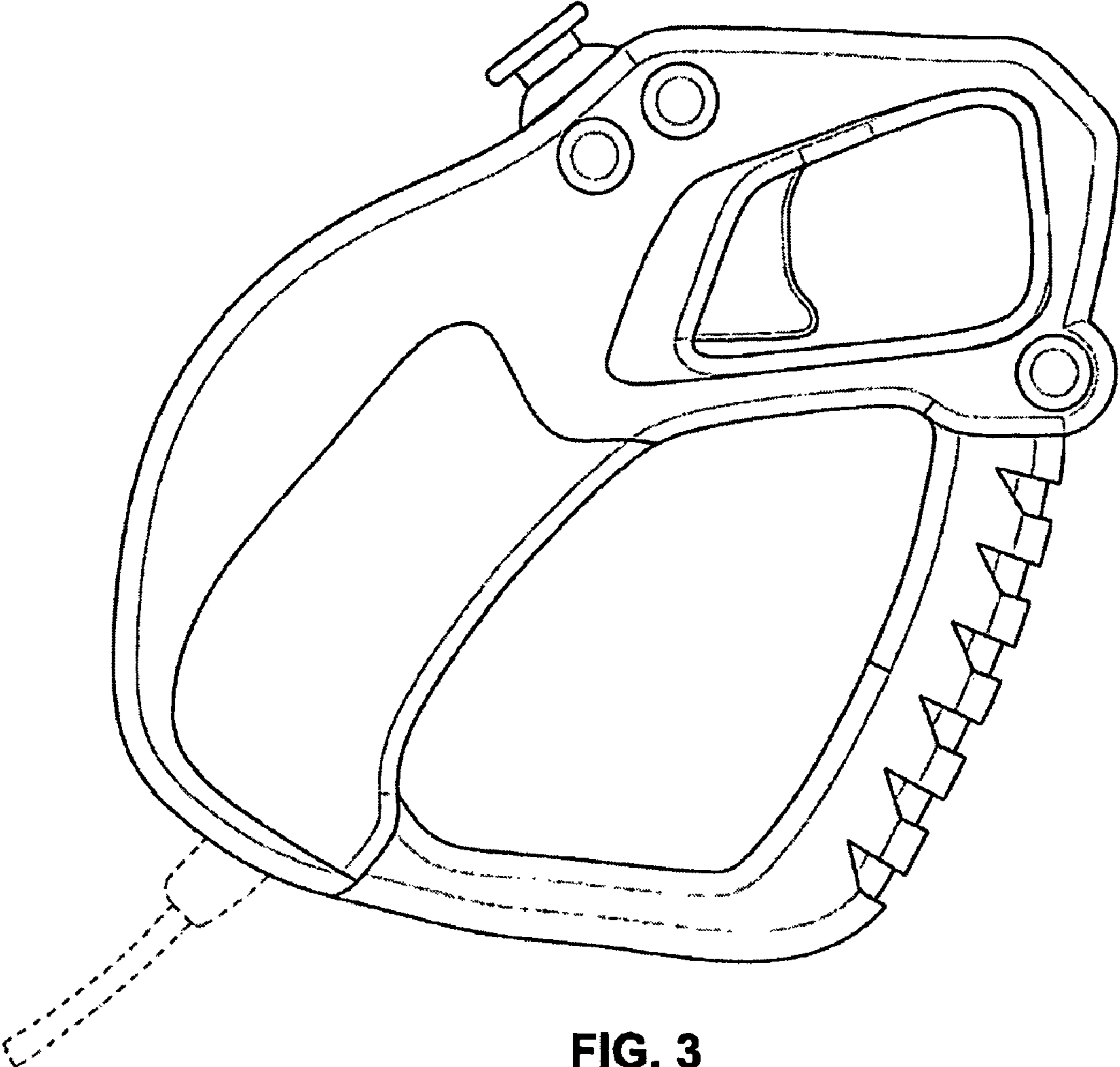


FIG. 3

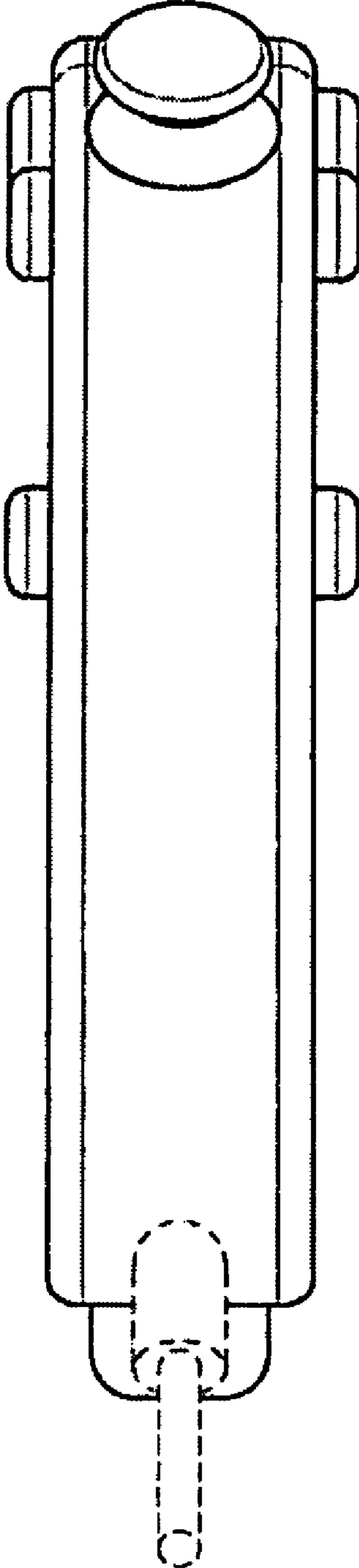


FIG. 4

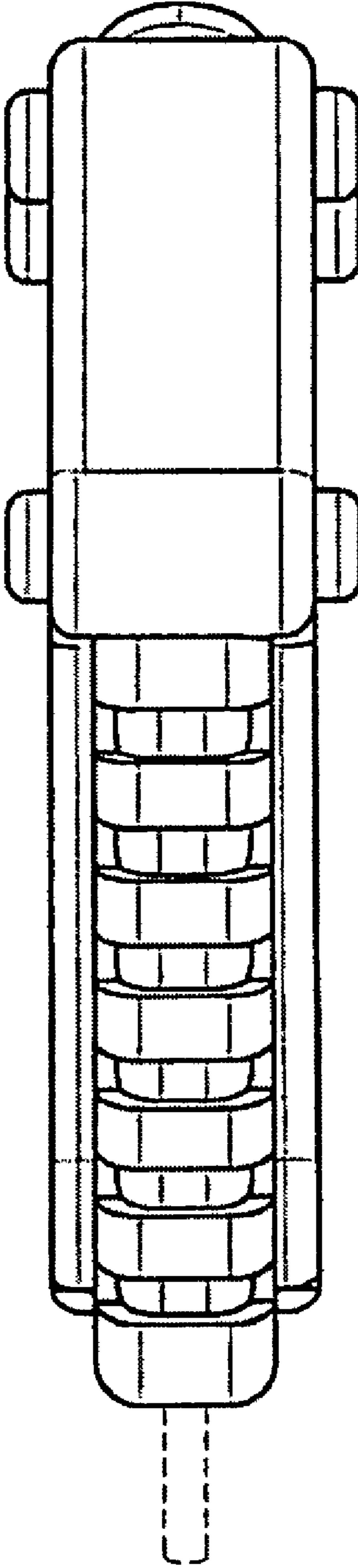


FIG. 5

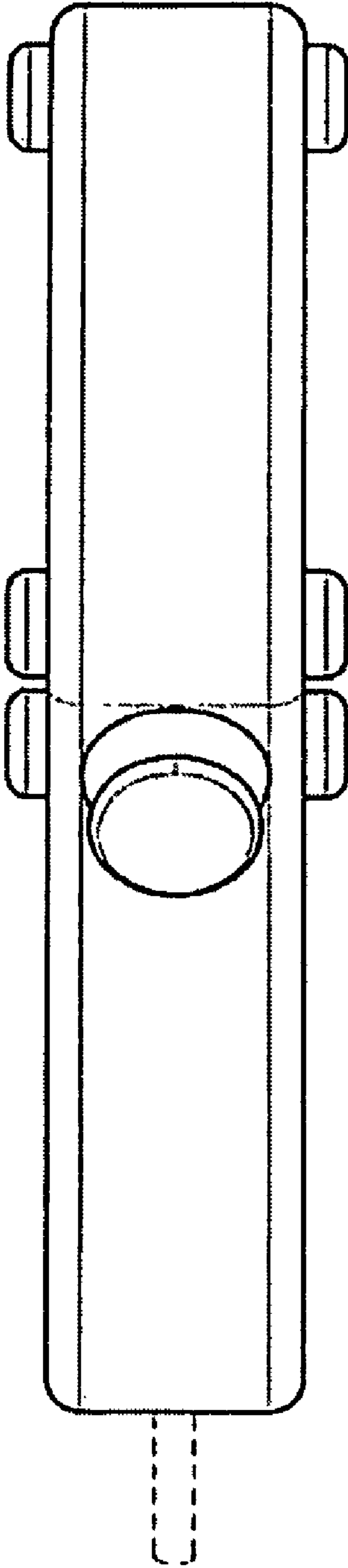


FIG. 6

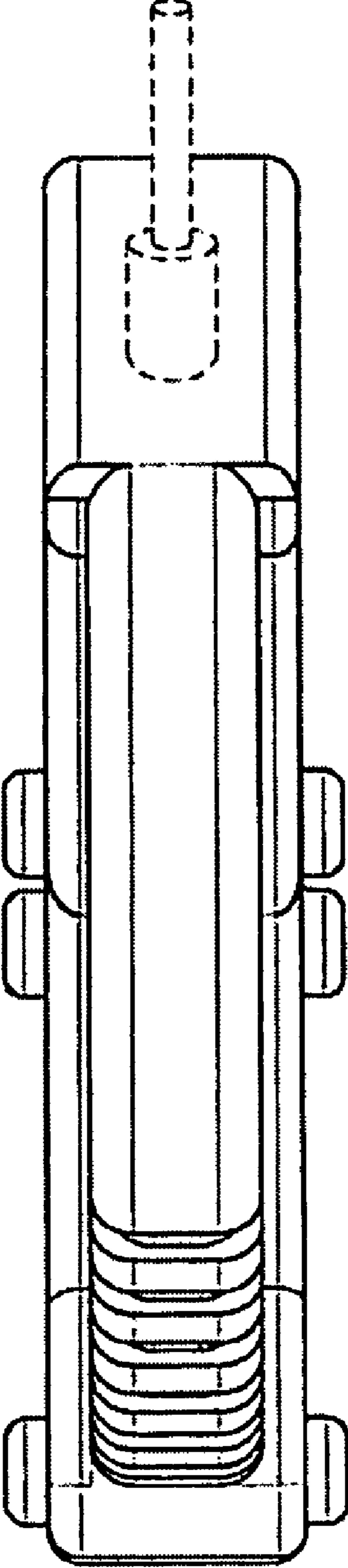


FIG. 7