



US00D646726S

(12) **United States Design Patent**  
**Avery**

(10) **Patent No.:** **US D646,726 S**

(45) **Date of Patent:** **\*\* Oct. 11, 2011**

(54) **INTERACTIVE PAD**

(75) Inventor: **Jason Avery**, San Francisco, CA (US)

(73) Assignee: **LeapFrog Enterprises, Inc.**,  
Emeryville, CA (US)

(\*\*) Term: **14 Years**

(21) Appl. No.: **29/359,840**

(22) Filed: **Apr. 15, 2010**

(51) **LOC (9) Cl.** ..... **21-91**

(52) **U.S. Cl.** ..... **D21/329; D21/324**

(58) **Field of Classification Search** ..... D21/324-333;  
D14/496, 203.1-203.7; 273/148 B; 463/1,  
463/29-35, 46, 47; 345/156-161  
See application file for complete search history.

(56) **References Cited**

**U.S. PATENT DOCUMENTS**

4,391,444	A *	7/1983	Bromley	.....	463/4
4,969,647	A *	11/1990	Mical et al.	.....	463/31
5,161,843	A *	11/1992	Baldwin	.....	294/26
5,184,830	A *	2/1993	Okada et al.	.....	463/29
5,218,327	A *	6/1993	Calabrese	.....	333/111
D425,942	S *	5/2000	Tomizawa	.....	D21/329
D428,448	S *	7/2000	Kitamori	.....	D21/329

D428,938	S *	8/2000	Tomizawa	.....	D21/329
D452,280	S *	12/2001	Ota et al.	.....	D21/329
D453,536	S *	2/2002	Ota et al.	.....	D21/329
D502,945	S *	3/2005	Huang et al.	.....	D14/341
D529,493	S *	10/2006	Ogasawara	.....	D14/356

\* cited by examiner

*Primary Examiner* — Prabhakar Deshmukh

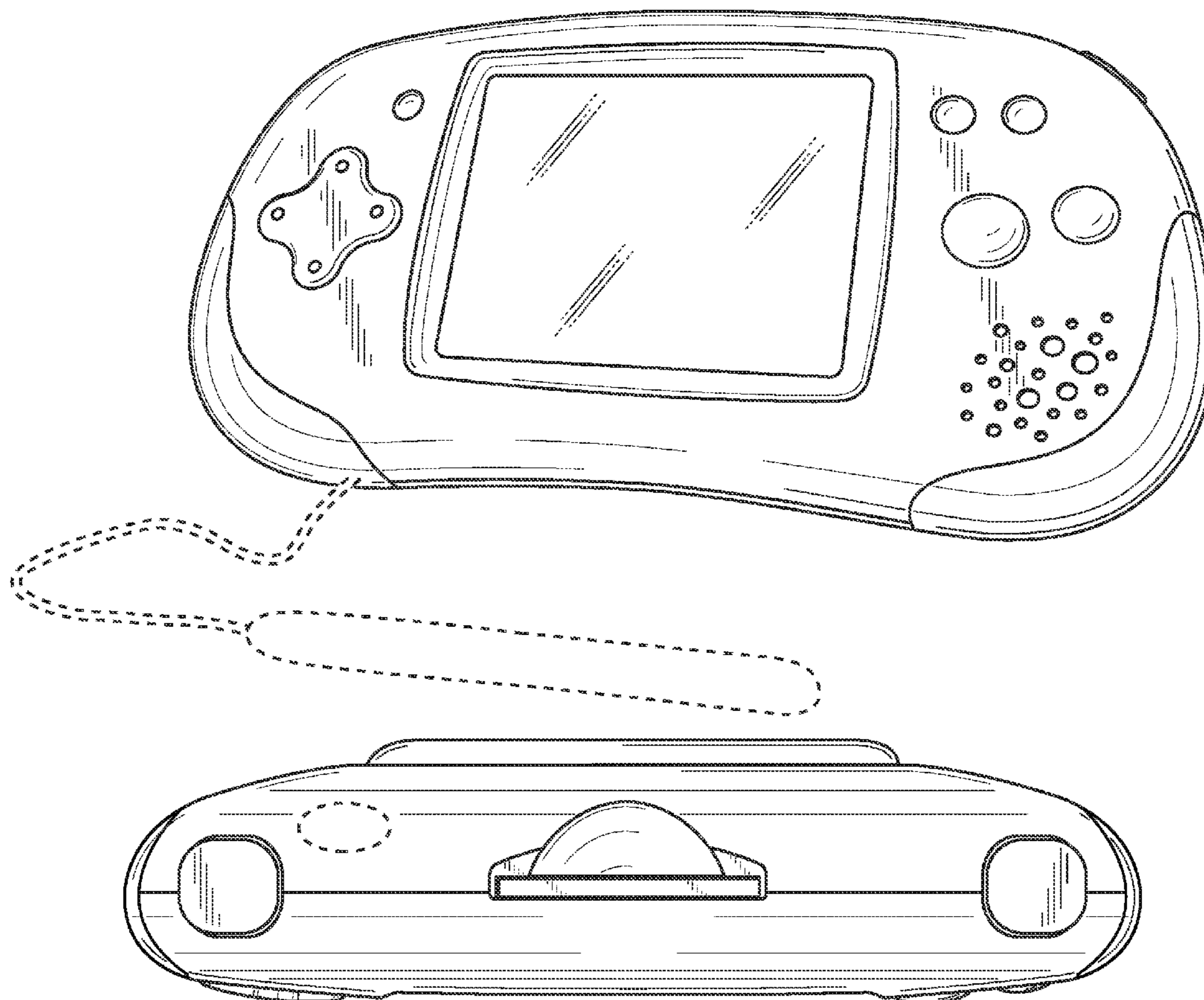
(57) **CLAIM**

I claim the ornamental design for an interactive pad, as shown and described.

**DESCRIPTION**

FIG. 1 is a perspective view of an interactive pad showing my new design;  
 FIG. 2 is a front elevational view thereof;  
 FIG. 3 is a right side elevational view thereof;  
 FIG. 4 is a rear elevational view thereof;  
 FIG. 5 is a left side elevational view thereof;  
 FIG. 6 is a top plan view thereof;  
 FIG. 7 is a bottom plan view thereof; and,  
 FIG. 8 is a top plan view thereof, wherein the cartridge component in FIG. 6 is removed to expose the cartridge.  
 The broken lines showing of stylus, cartridge component and cable shown in the drawing are for illustrative purpose only and form no part of the claimed design.

**1 Claim, 4 Drawing Sheets**



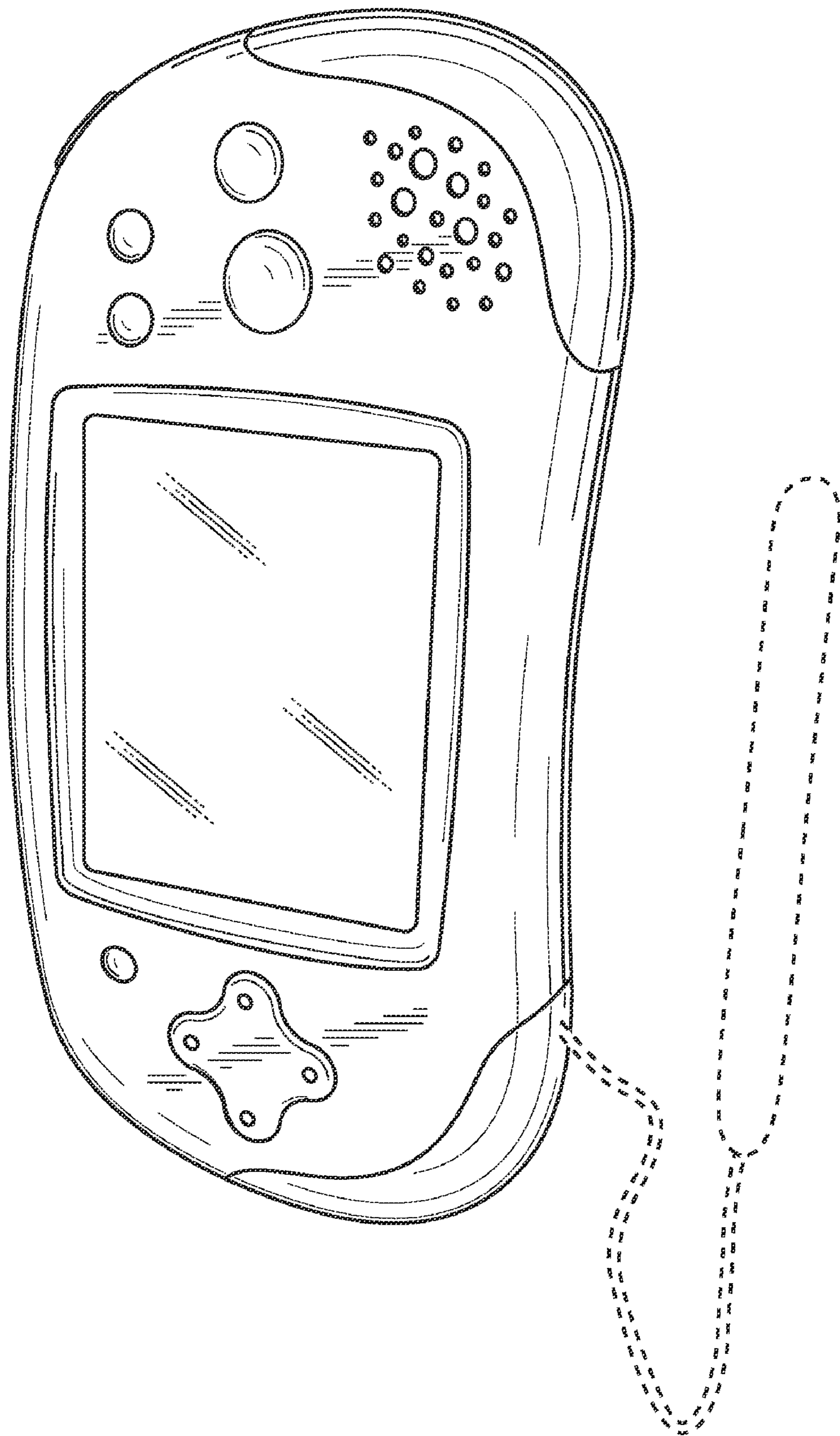


FIG. 1

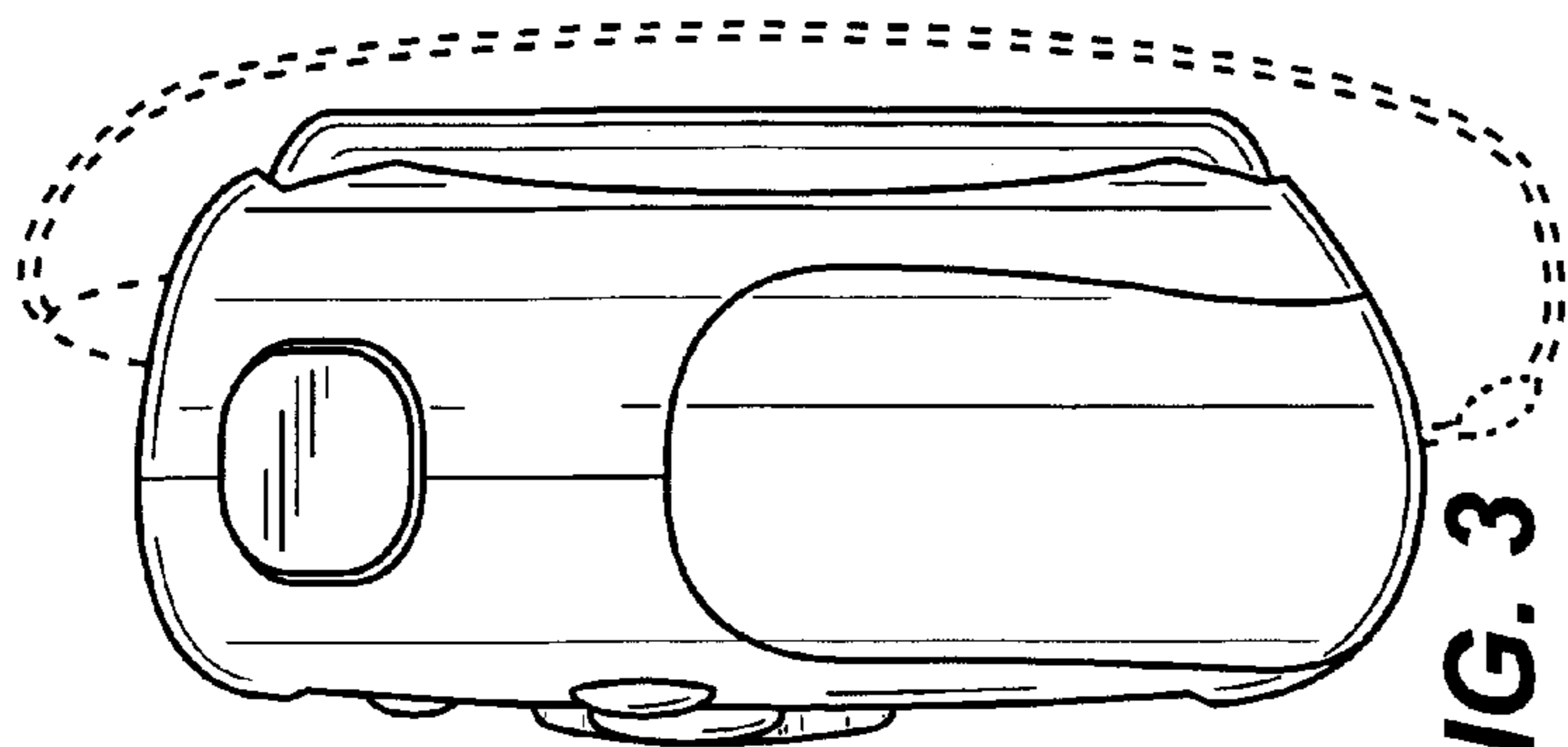


FIG. 3

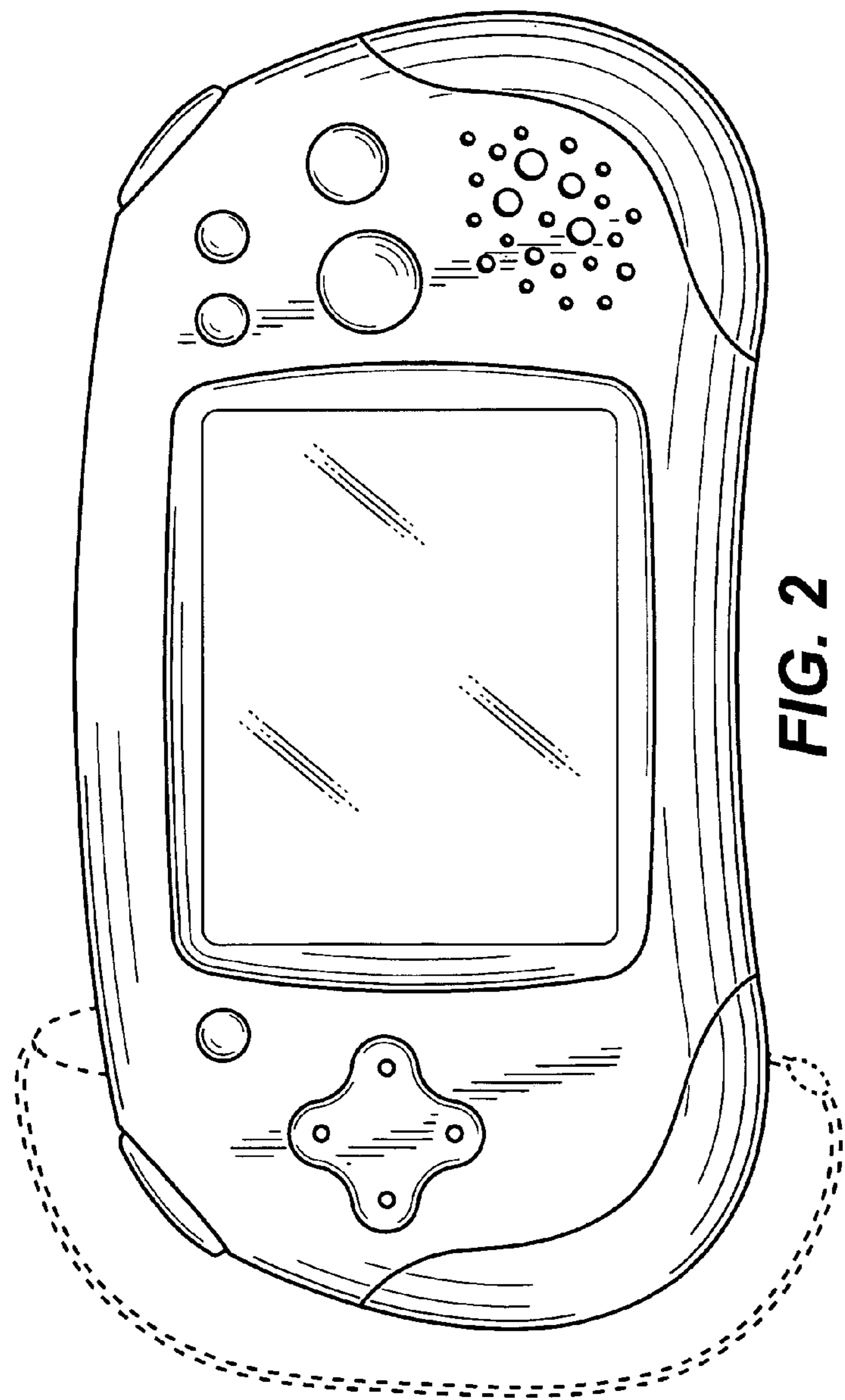


FIG. 2

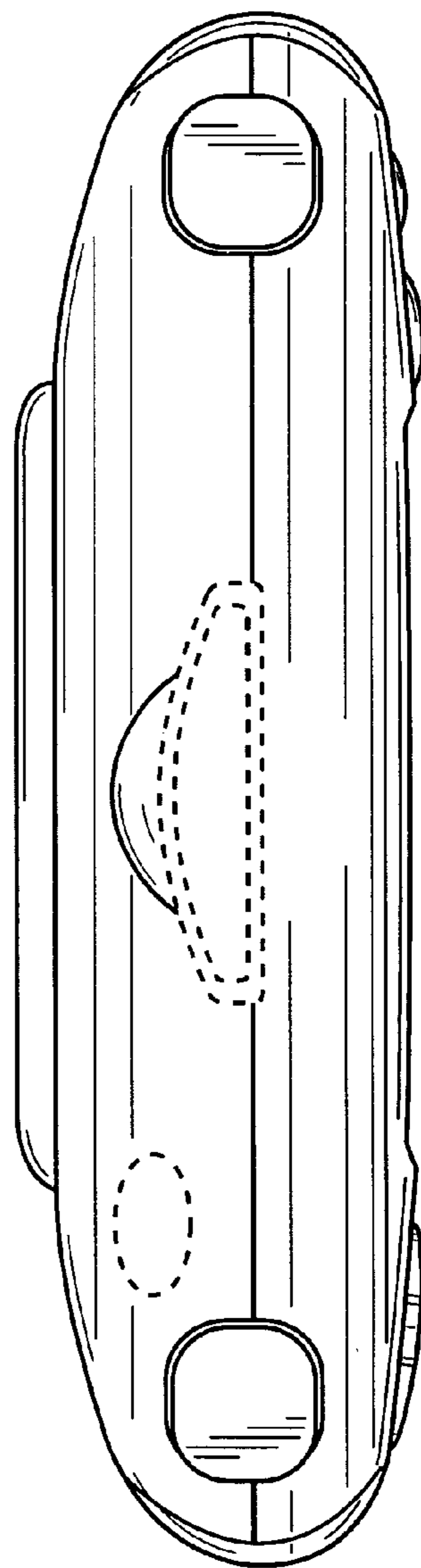


FIG. 6

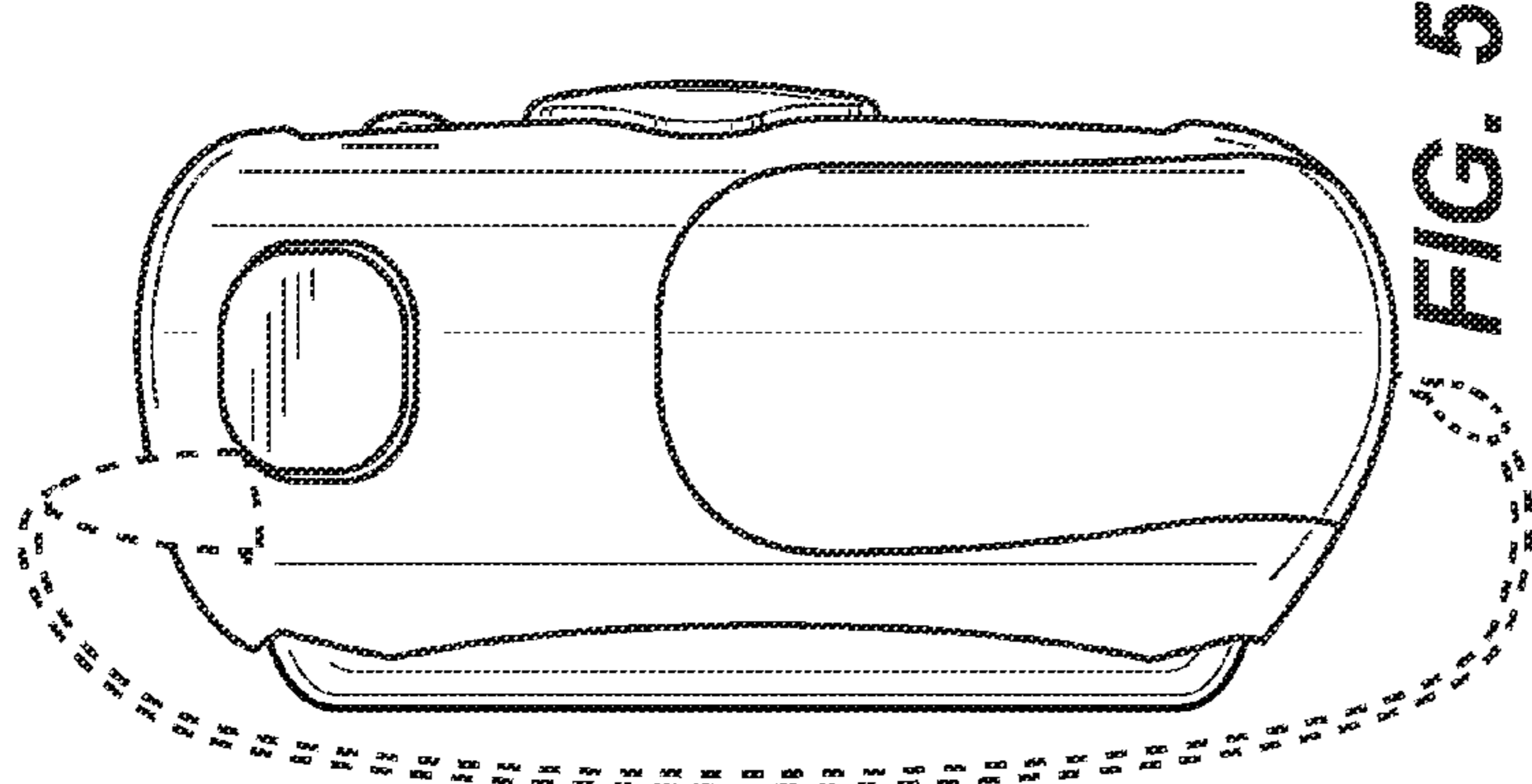


FIG. 5

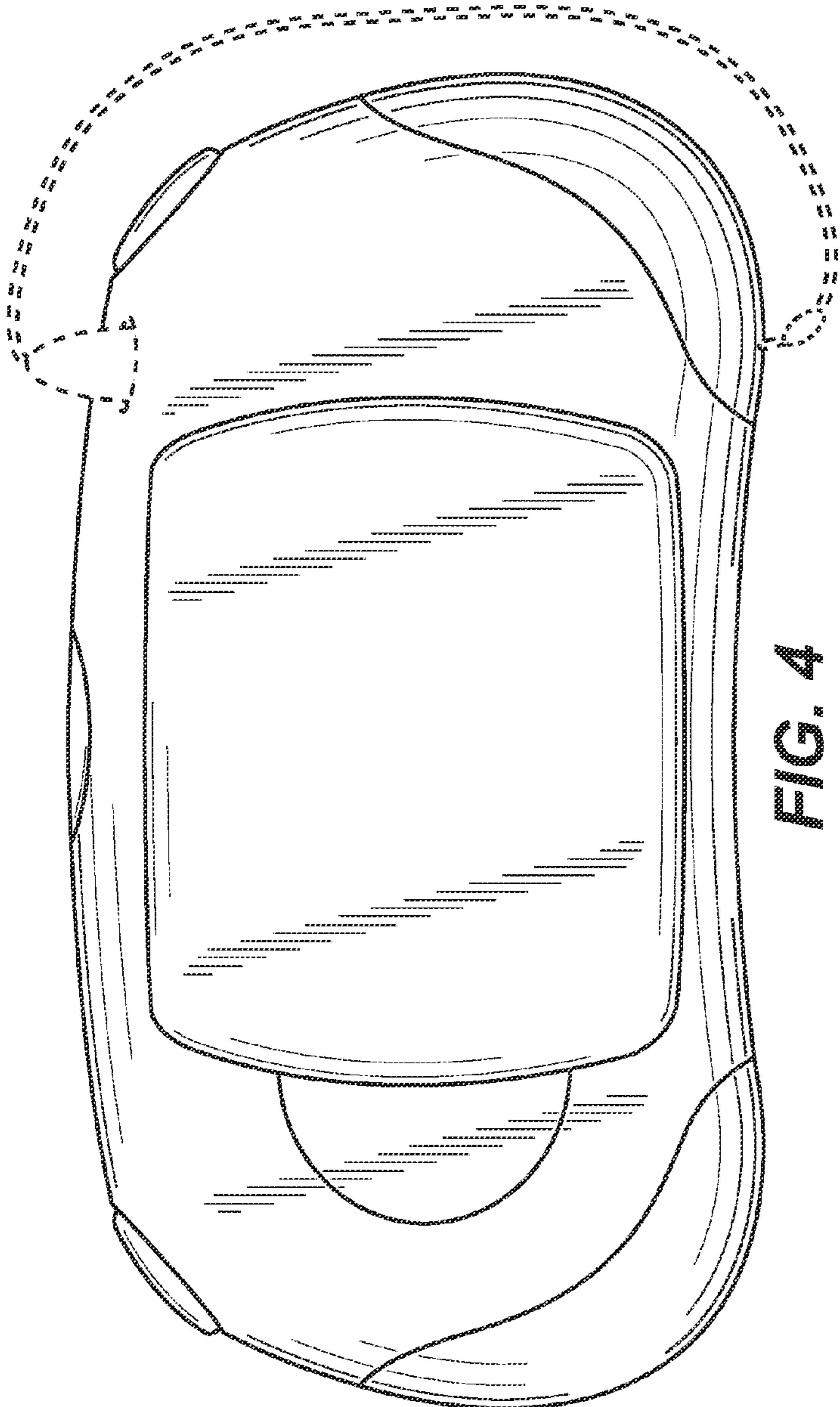


FIG. 4

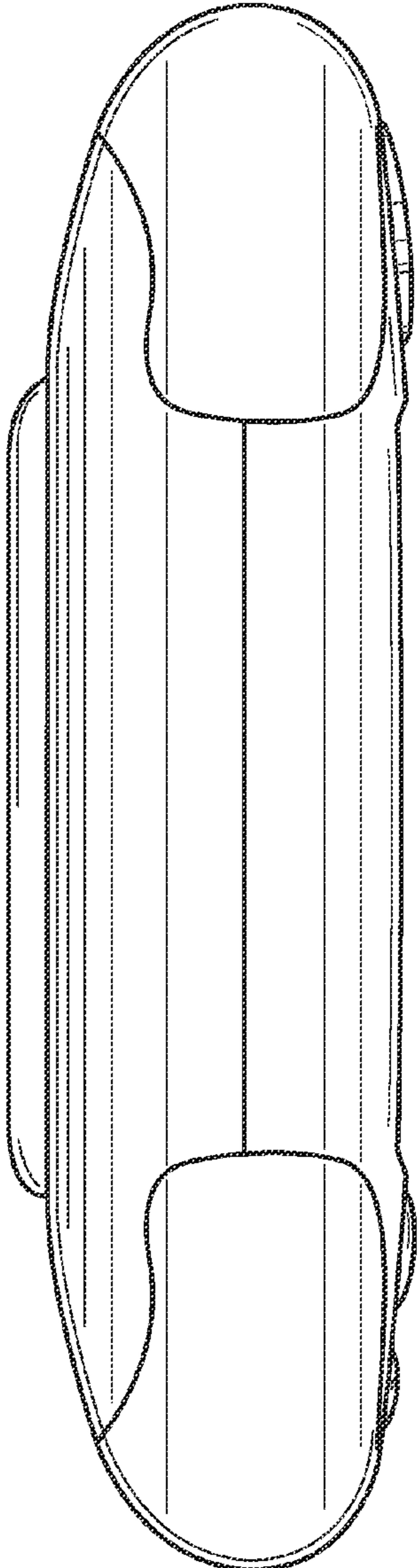


FIG. 7

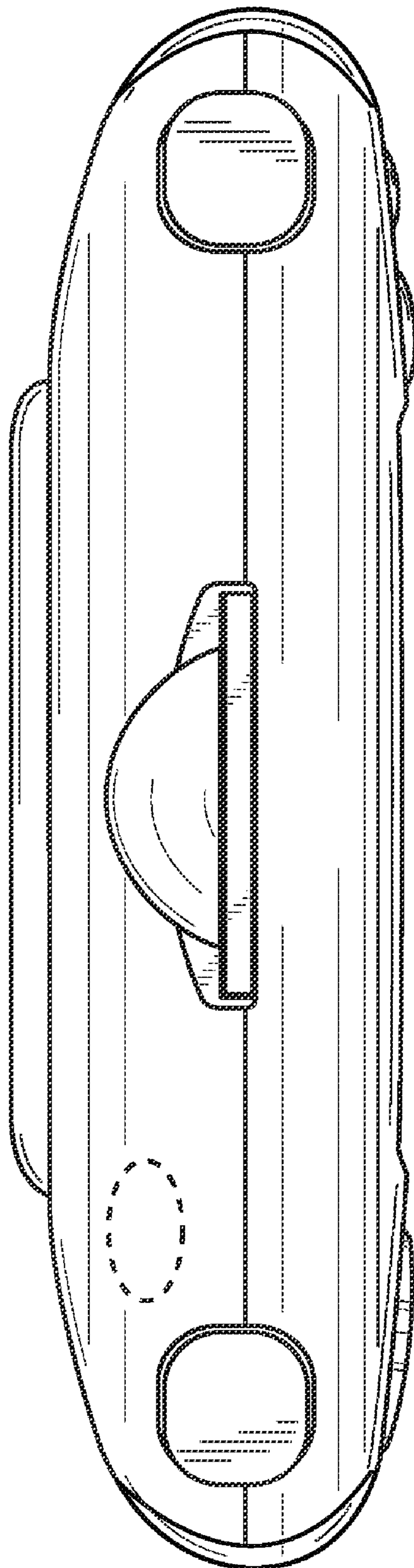


FIG. 8