



US00D646720S

(12) **United States Design Patent**
Li

(10) **Patent No.:** **US D646,720 S**

(45) **Date of Patent:** **** Oct. 11, 2011**

(54) **PUNCH**

(75) Inventor: **Fuping Li, Ningbo (CN)**

(73) Assignee: **Ningbo Sunlit International Co., Ltd.,
Zhejiang (CN)**

(**) Term: **14 Years**

(21) Appl. No.: **29/350,567**

(22) Filed: **Nov. 19, 2009**

(30) **Foreign Application Priority Data**

Jul. 22, 2009 (CN) 2009 3 0203350

(51) **LOC (9) Cl.** **19-02**

(52) **U.S. Cl.** **D19/72**

(58) **Field of Classification Search** D8/98;
D19/72; 30/358; 83/167, 588, 618, 620,
83/633, 684, 686, 698.1

See application file for complete search history.

(56) **References Cited**

U.S. PATENT DOCUMENTS

D407,752 S *	4/1999	Kim et al.	D19/72
RE38,219 E *	8/2003	Lee et al.	83/588
D482,584 S *	11/2003	Racamier	D8/50
D482,729 S *	11/2003	Chi Kuo	D19/72
D491,230 S *	6/2004	Lee	D19/72
D499,449 S *	12/2004	Chan	D19/72
D501,884 S *	2/2005	Davies et al.	D19/72
D516,397 S *	3/2006	Kent et al.	D8/50
D529,094 S *	9/2006	Weng	D19/72
D529,095 S *	9/2006	Tou	D19/72
D533,229 S *	12/2006	Tou	D19/72

D587,542 S *	3/2009	Miyagi	D8/50
D587,976 S *	3/2009	Cunningham et al.	D8/50
D588,198 S *	3/2009	Yamashita et al.	D19/72
D605,226 S *	12/2009	Nishimura	D19/72
7,739,936 B2 *	6/2010	Chan	83/447
2005/0039590 A1 *	2/2005	Weng	83/684

FOREIGN PATENT DOCUMENTS

HK 0311895.3 * 11/2003

OTHER PUBLICATIONS

Imaginisce-i-top paper punch, on website scrapbookpal.com online store, 2 pages, copyright 2005.*

* cited by examiner

Primary Examiner — Elizabeth Albert

(74) *Attorney, Agent, or Firm* — Cozen O'Connor

(57) **CLAIM**

The ornamental design for a punch, as shown and described.

DESCRIPTION

FIG. 1 is a side elevation view of a punch showing my new design;

FIG. 2 is a opposite side elevation view thereof;

FIG. 3 is a front elevation view thereof;

FIG. 4 is a rear elevation view thereof;

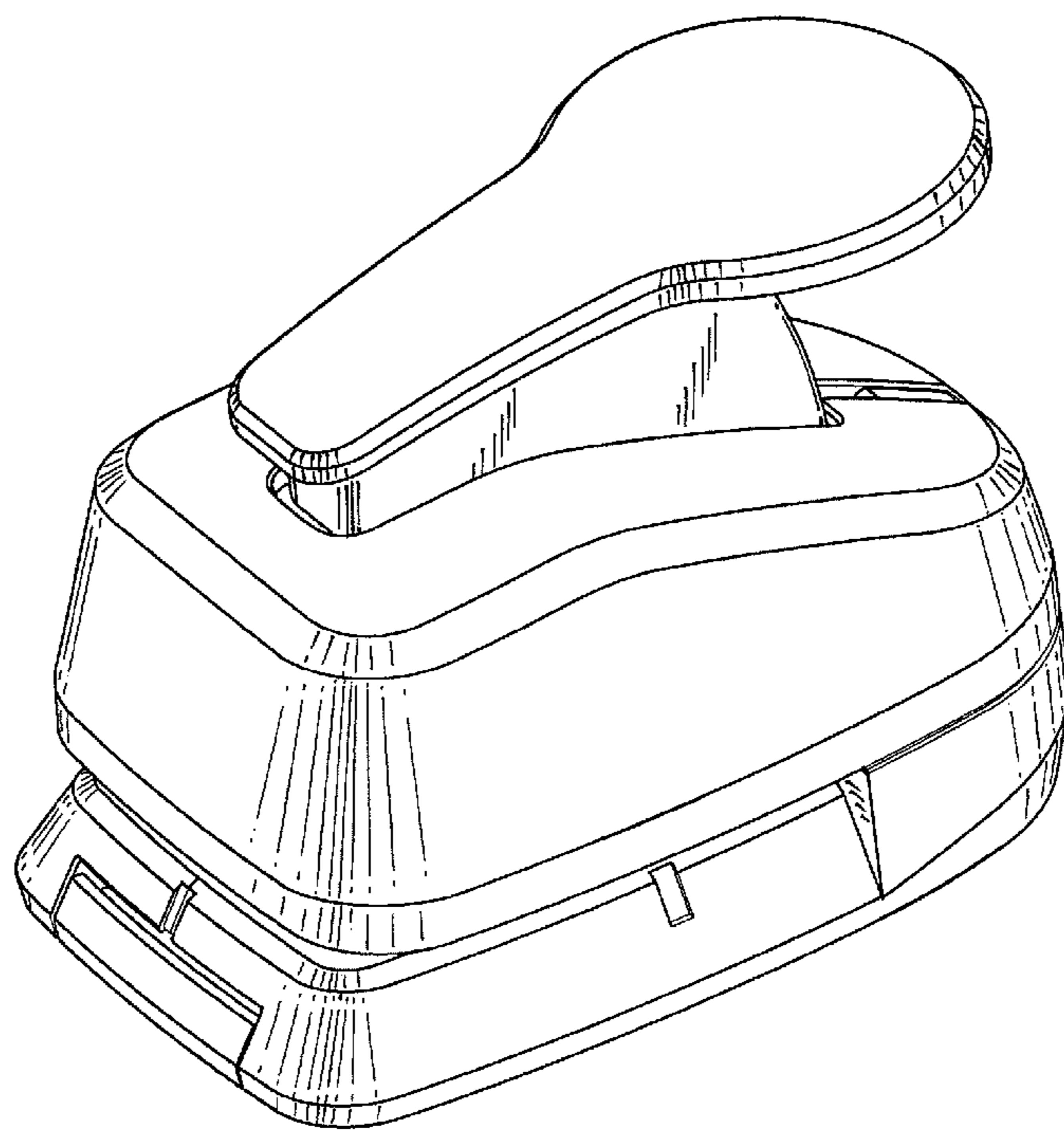
FIG. 5 is a top plan view thereof;

FIG. 6 is a bottom plan view thereof; and,

FIG. 7 is a perspective view thereof.

The broken lines in FIG. 6 are included for the purpose of illustrating features on the bottom that form no part of the claimed design.

1 Claim, 7 Drawing Sheets



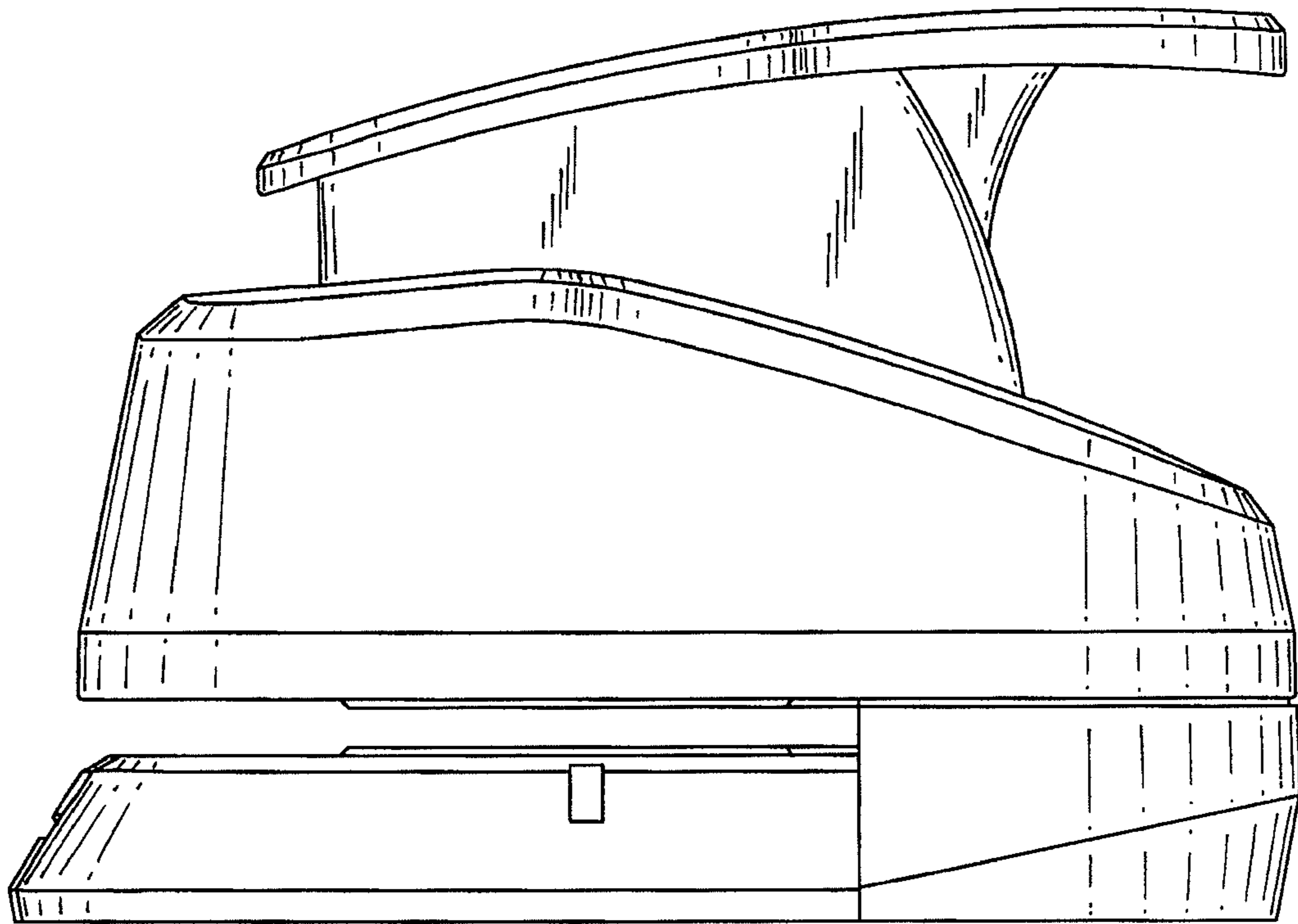


FIG. 1

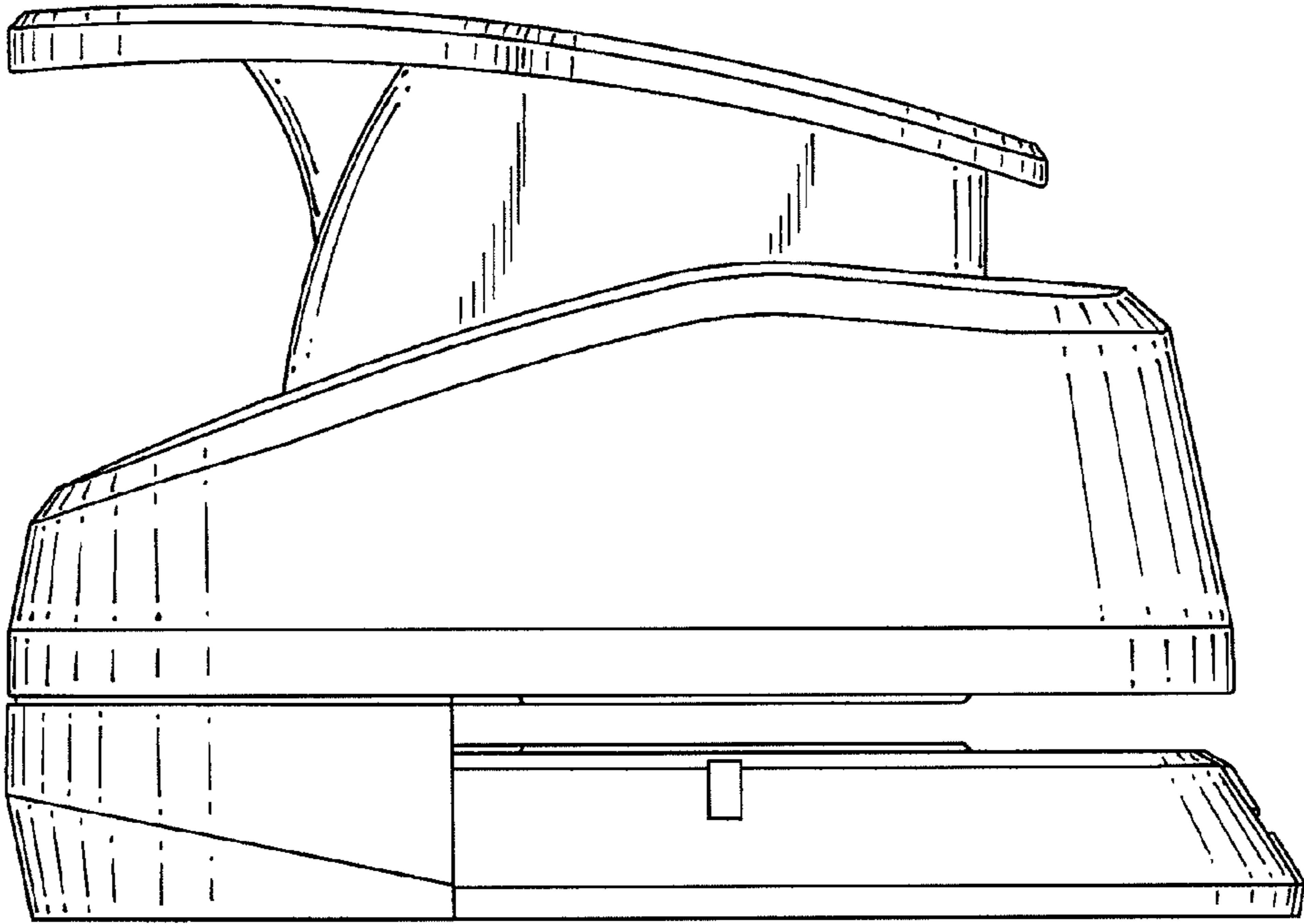


FIG.2

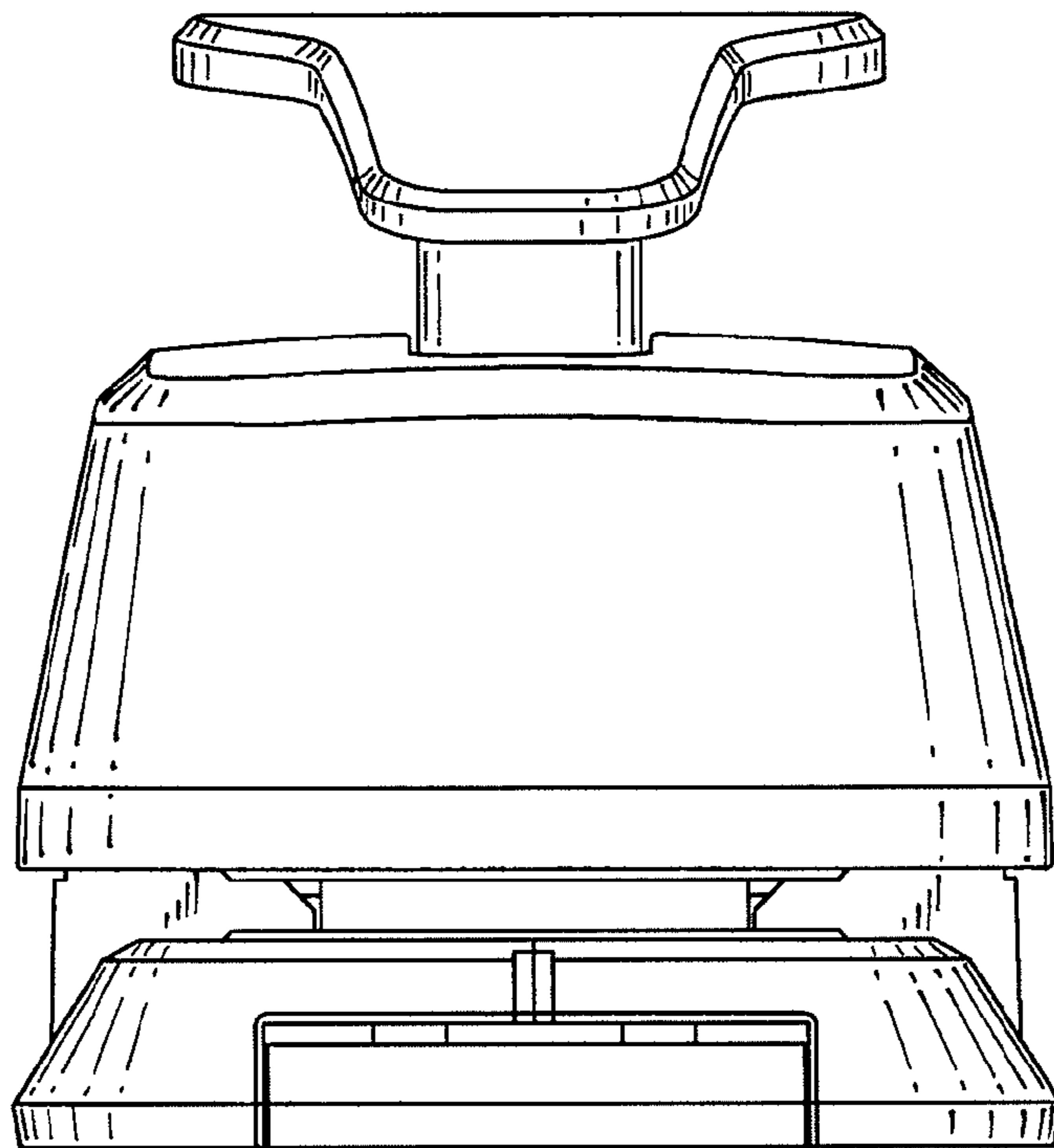


FIG.3

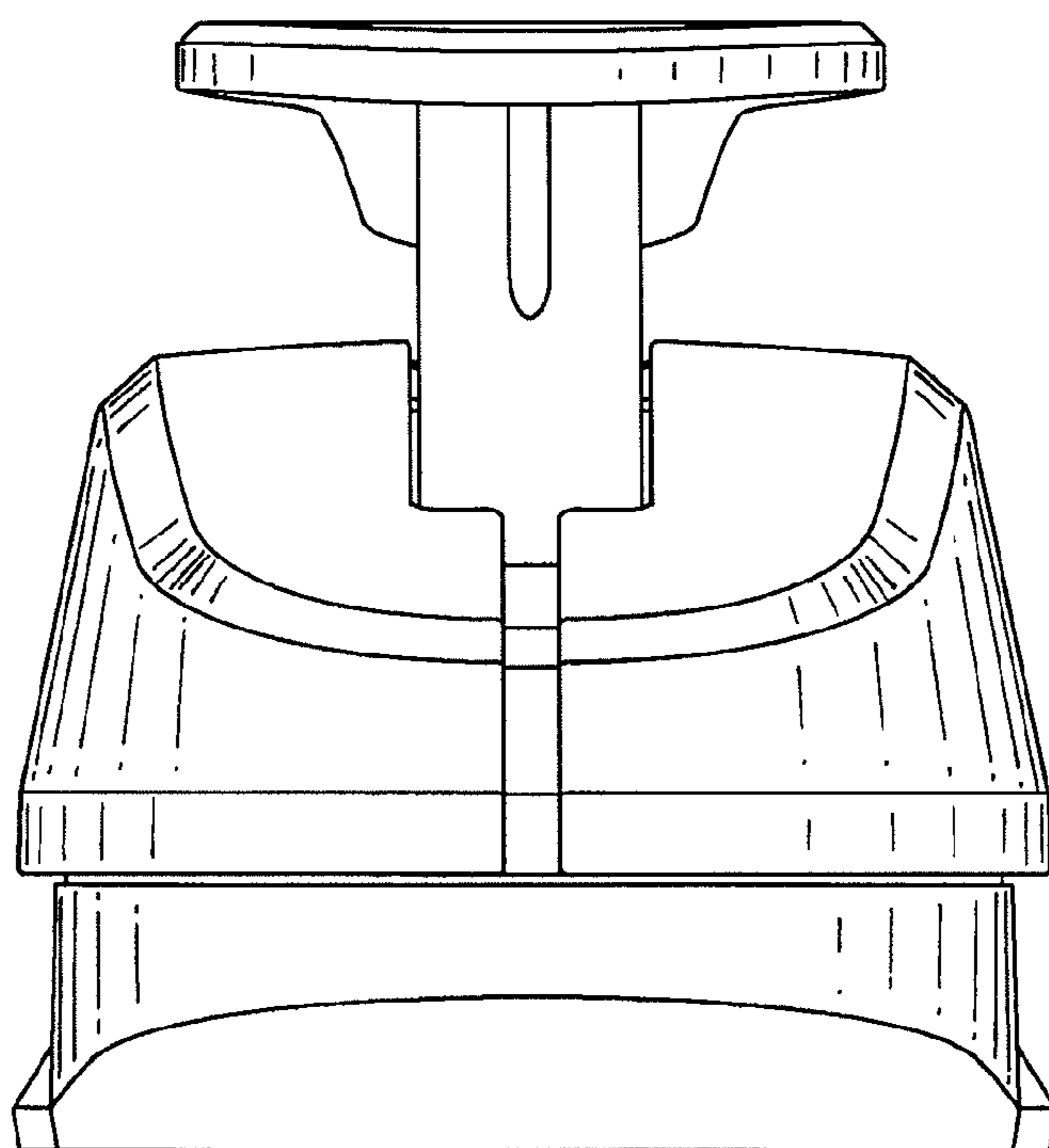


FIG. 4

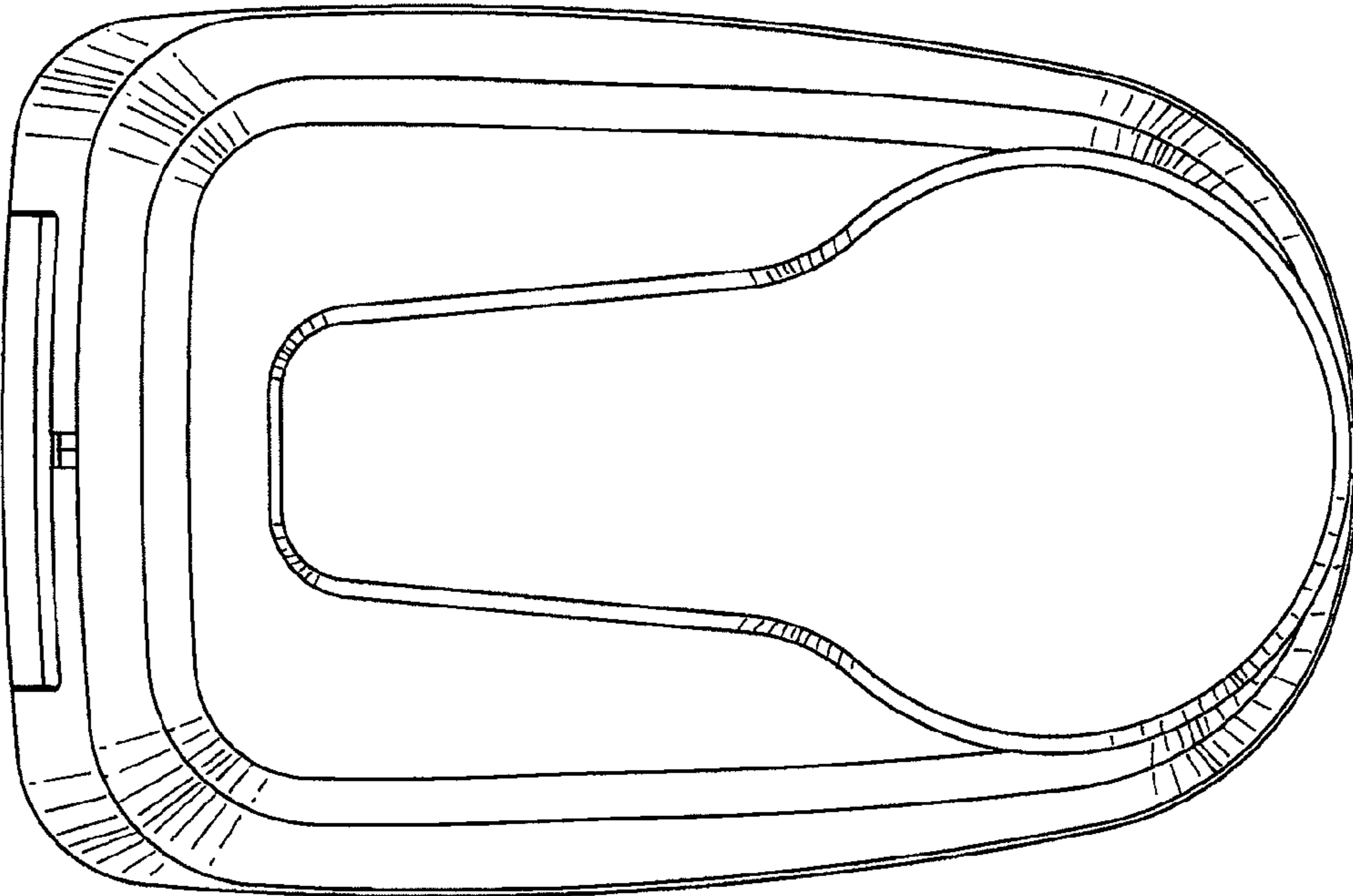


FIG.5

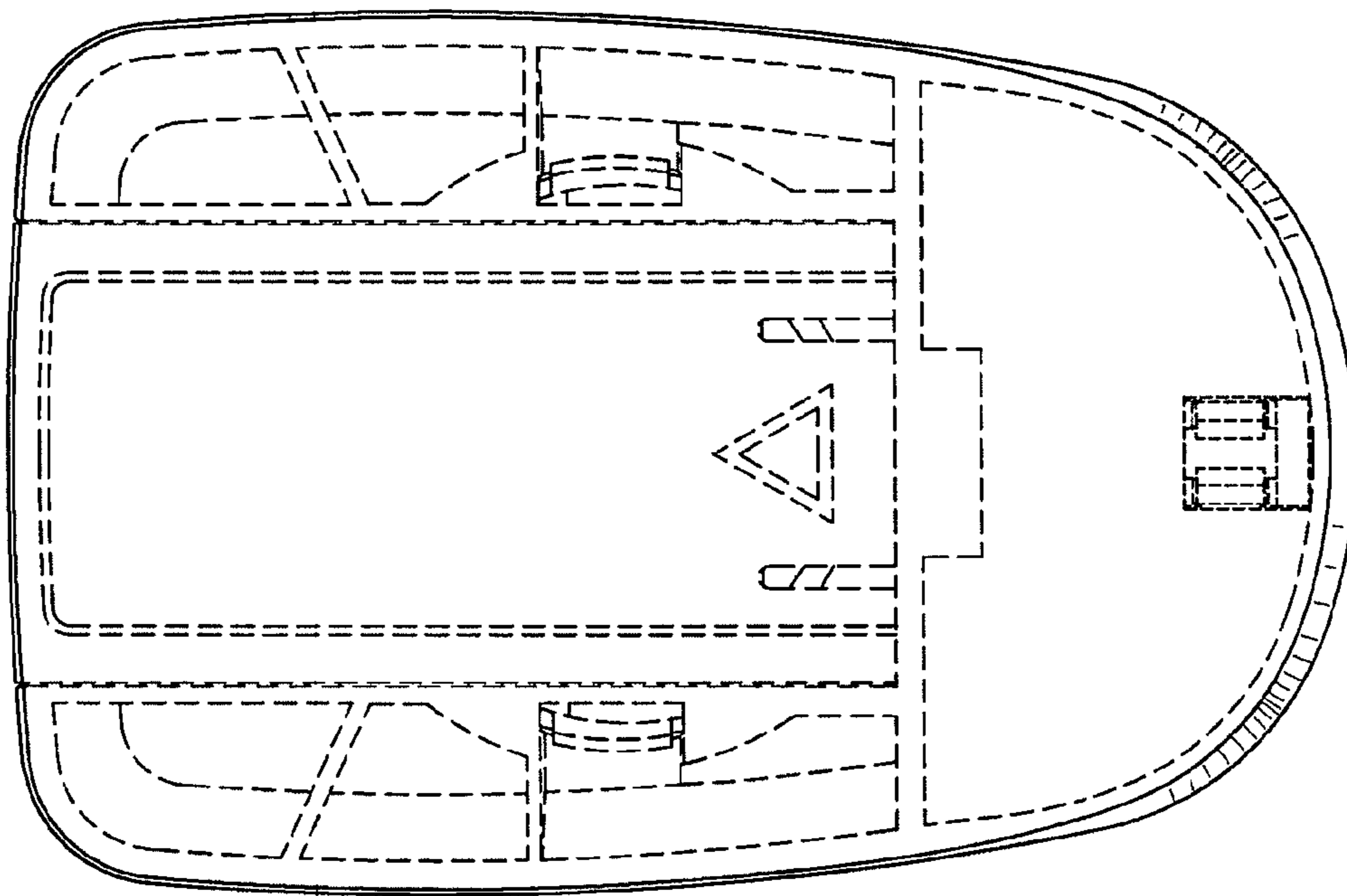


FIG. 6

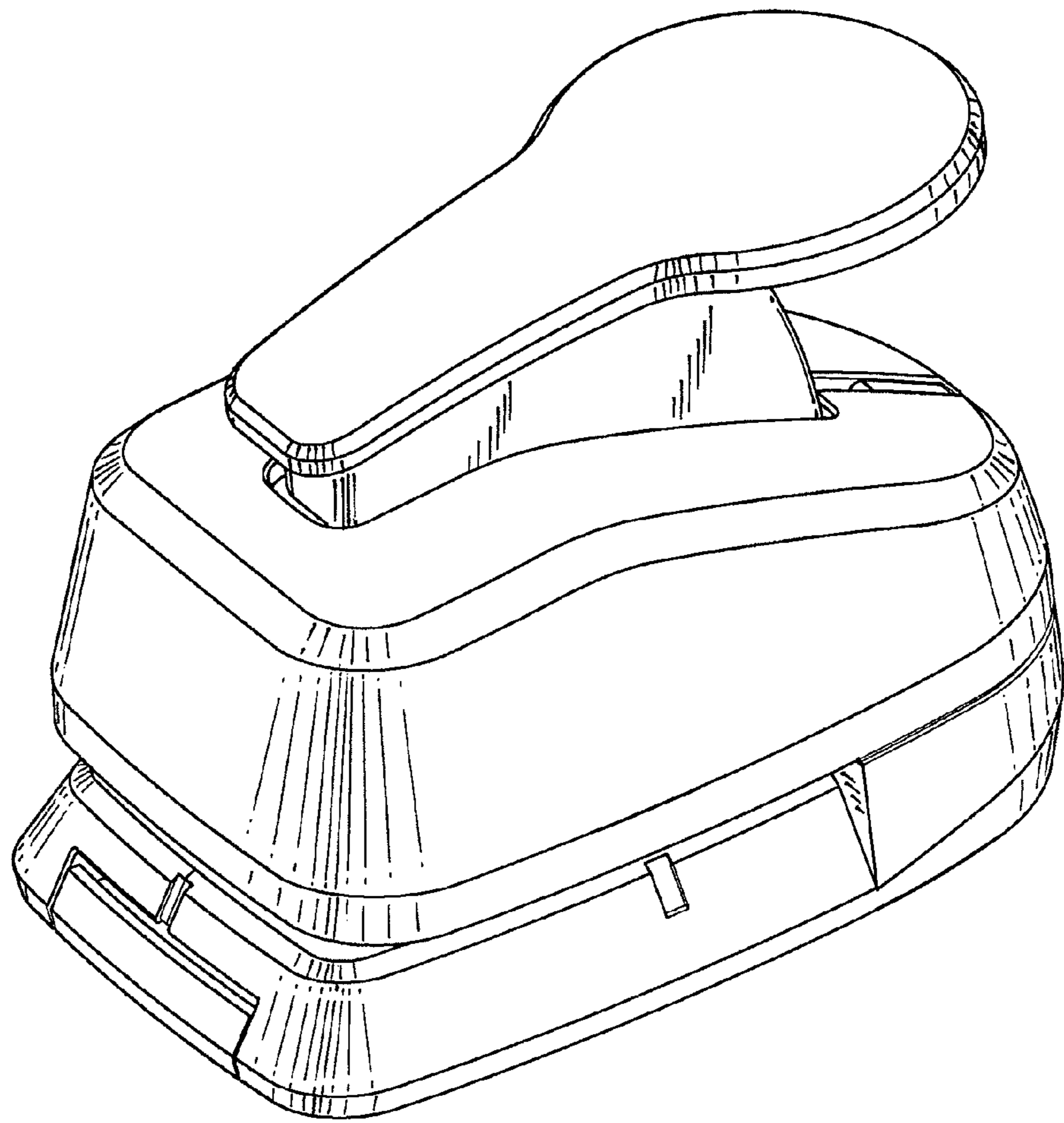


FIG. 7