



US00D646719S

(12) **United States Design Patent**  
**Kim**

(10) **Patent No.:** **US D646,719 S**

(45) **Date of Patent:** **\*\* Oct. 11, 2011**

(54) **BALLPOINT PEN**

(75) Inventor: **Jewon Kim**, Daejon (KR)

(73) Assignee: **Dong-A Pencil Co., Ltd.**, Seoul (KR)

(\*\*) Term: **14 Years**

(21) Appl. No.: **29/379,227**

(22) Filed: **Nov. 16, 2010**

(30) **Foreign Application Priority Data**

Aug. 26, 2010 (KR) ..... 30-2010-0037302

(51) **LOC (9) Cl.** ..... **19-06**

(52) **U.S. Cl.** ..... **D19/51**

(58) **Field of Classification Search** ..... D19/35,  
D19/36, 41-51, 54-58; 24/10 R, 11 CC,  
24/11 F, 11 P, 11 PP, 11 R; 401/52, 99-114,  
401/192, 193, 195-198

See application file for complete search history.

(56) **References Cited**

**U.S. PATENT DOCUMENTS**

|              |         |                |       |        |
|--------------|---------|----------------|-------|--------|
| D217,646 S * | 5/1970  | De Gof         | ..... | D19/49 |
| D251,123 S * | 2/1979  | Horntrich      | ..... | D19/49 |
| D277,393 S * | 1/1985  | Oyabu          | ..... | D19/51 |
| D282,672 S * | 2/1986  | LeBlanc et al. | ..... | D19/49 |
| D286,164 S * | 10/1986 | Tinz           | ..... | D19/48 |
| D307,035 S * | 4/1990  | Petterson      | ..... | D19/57 |
| D408,448 S * | 4/1999  | Rebien         | ..... | D19/51 |
| D427,238 S * | 6/2000  | Beneyto        | ..... | D19/43 |

|                   |         |              |       |         |
|-------------------|---------|--------------|-------|---------|
| D446,242 S *      | 8/2001  | Stukenkemper | ..... | D19/43  |
| D456,040 S *      | 4/2002  | Moon         | ..... | D19/43  |
| 7,179,004 B2 *    | 2/2007  | Cetera       | ..... | 401/131 |
| D555,726 S *      | 11/2007 | Huff         | ..... | D19/43  |
| D576,679 S *      | 9/2008  | Briggl       | ..... | D19/57  |
| D587,311 S *      | 2/2009  | Zhang        | ..... | D19/51  |
| D587,751 S *      | 3/2009  | Cetera       | ..... | D19/48  |
| D609,747 S *      | 2/2010  | Ma           | ..... | D19/50  |
| D611,988 S *      | 3/2010  | Huff         | ..... | D19/48  |
| 2007/0127975 A1 * | 6/2007  | Cetera       | ..... | 401/131 |

\* cited by examiner

*Primary Examiner* — Elizabeth Albert

(74) *Attorney, Agent, or Firm* — Edwards Angell Palmer & Dodge LLP; Kongsik Kim

(57) **CLAIM**

The ornamental design for a ballpoint pen, as shown and described.

**DESCRIPTION**

FIG. 1 is a perspective view of a ballpoint pen according to the present invention.

FIG. 2 is a front view of the ballpoint pen of FIG. 1.

FIG. 3 is a rear view of the ballpoint pen of FIG. 1.

FIG. 4 is a left side view of the ballpoint pen of FIG. 1.

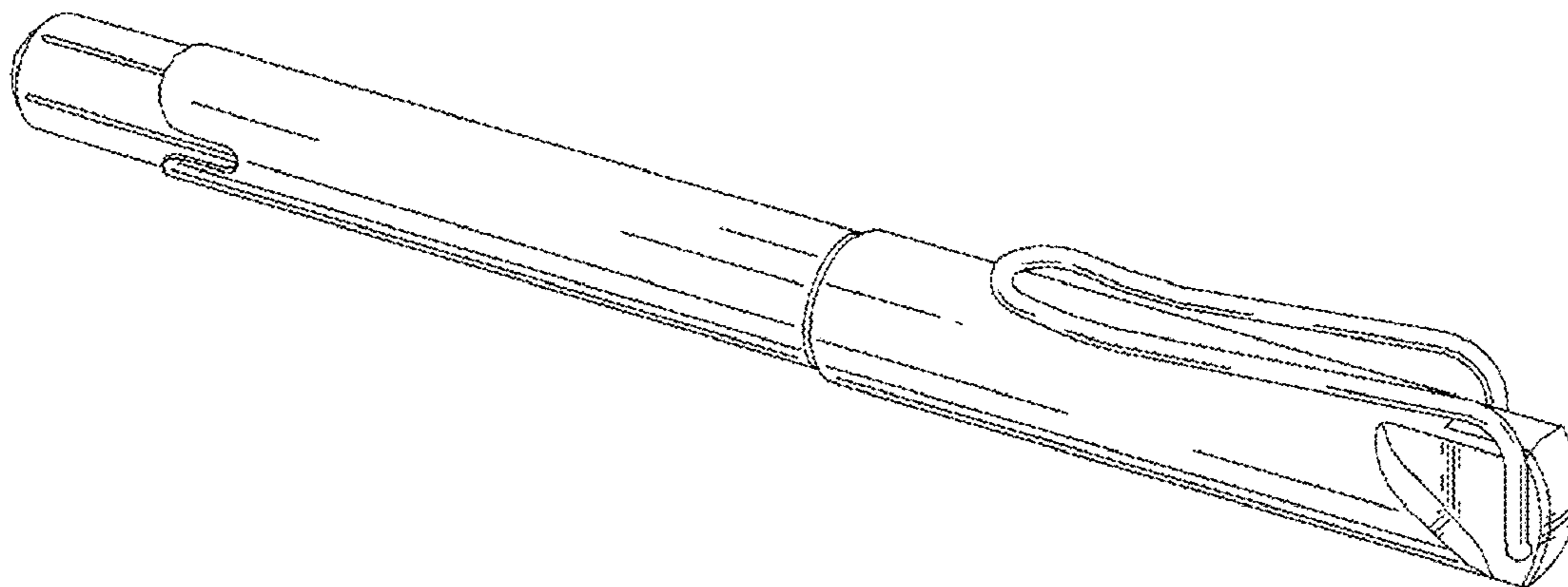
FIG. 5 is a right side view of the ballpoint pen of FIG. 1.

FIG. 6 is a top view of the ballpoint pen of FIG. 1.

FIG. 7 is a bottom view of the ballpoint pen of FIG. 1; and,

FIG. 8 is a top view of the ballpoint pen of FIG. 1 with the cap removed and placed on the opposite end.

**1 Claim, 8 Drawing Sheets**



**FIG. 1**

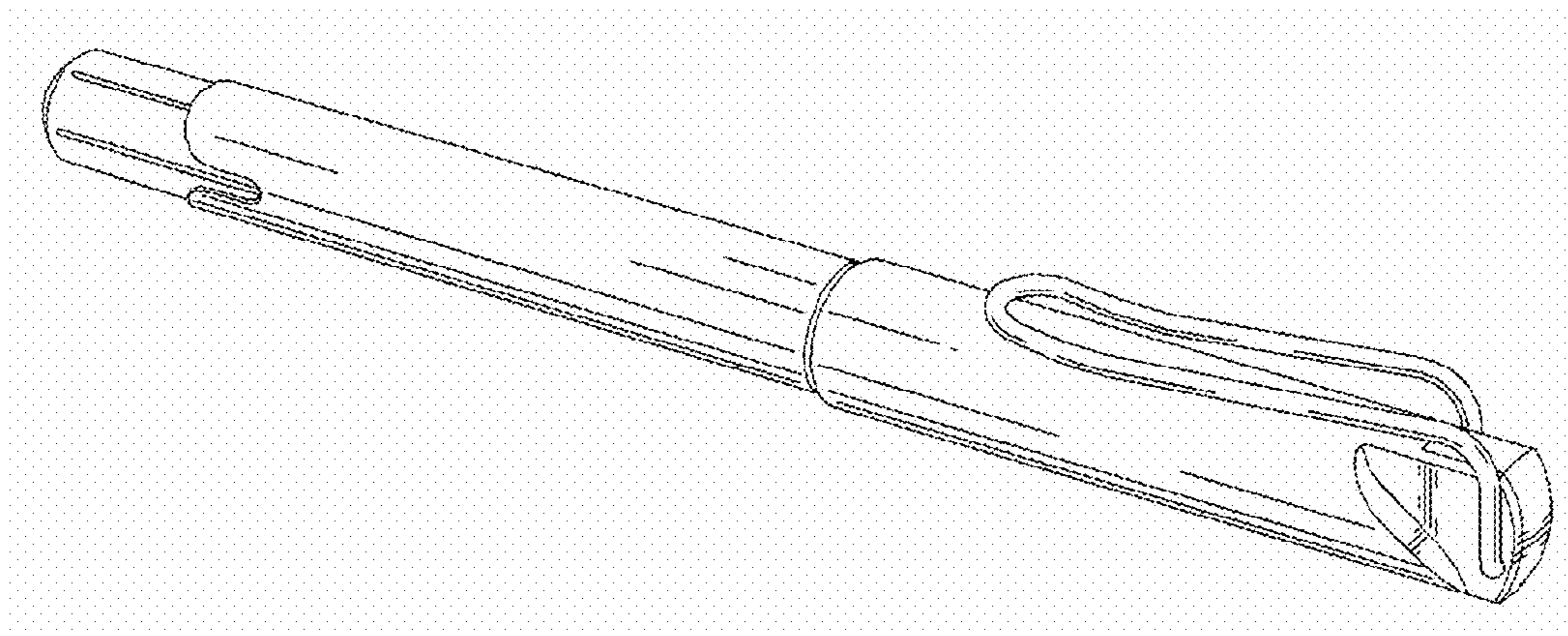


FIG. 2

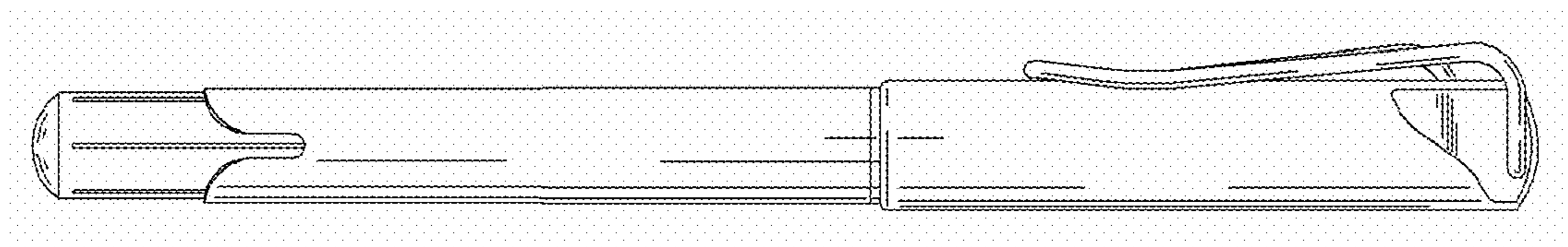
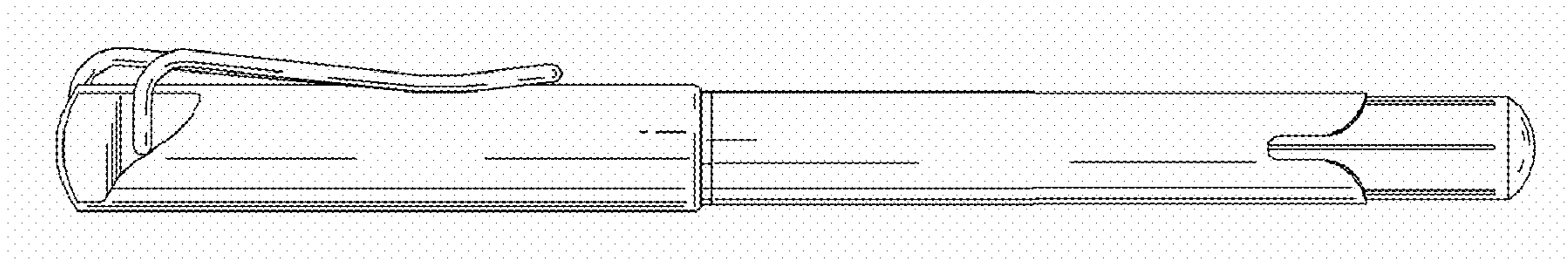
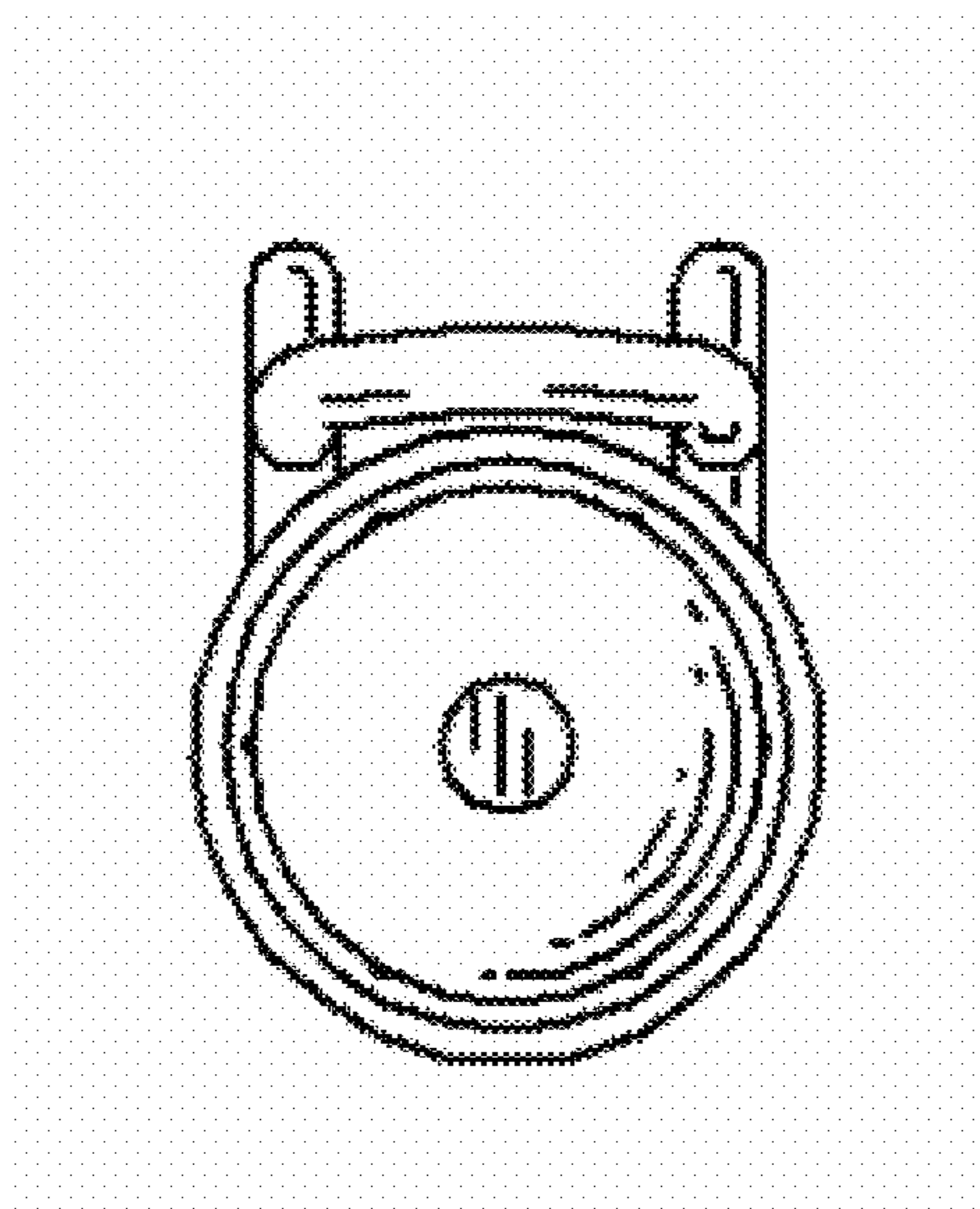


FIG. 3



# FIG. 4



# FIG. 5

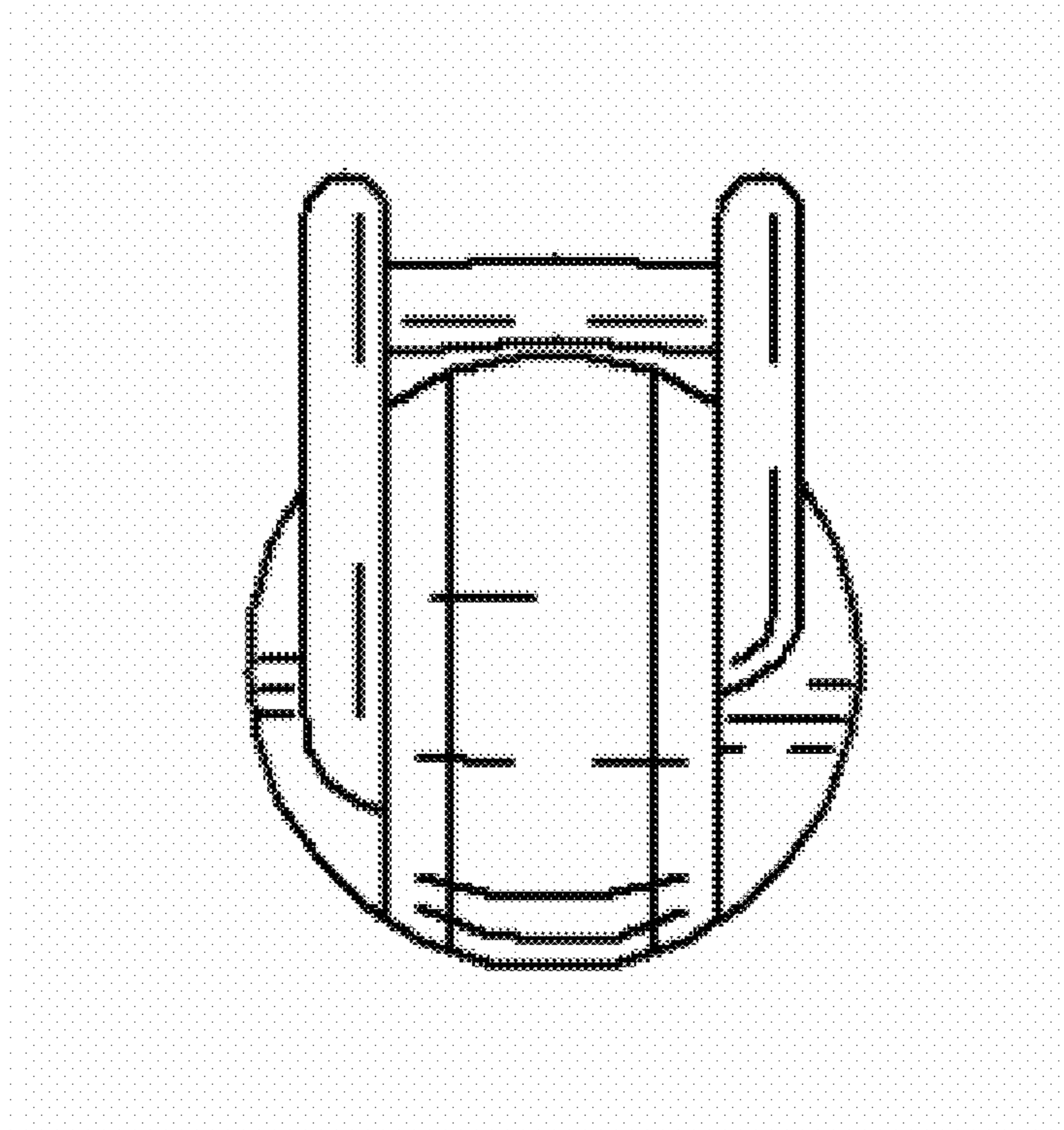


FIG. 6

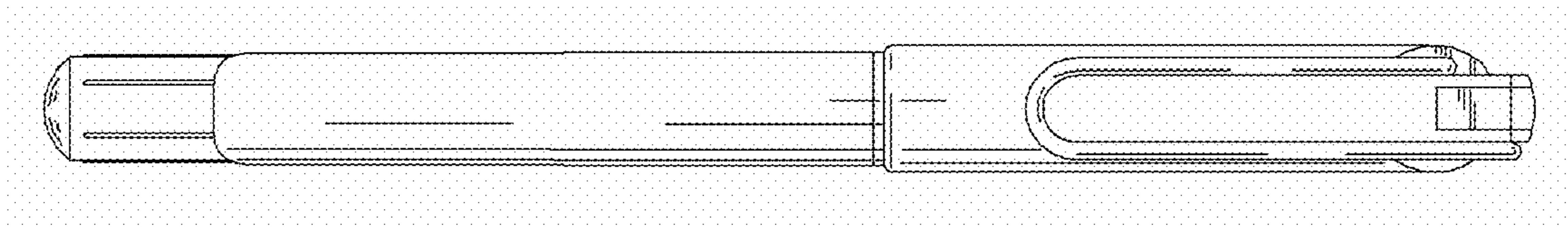


FIG. 7

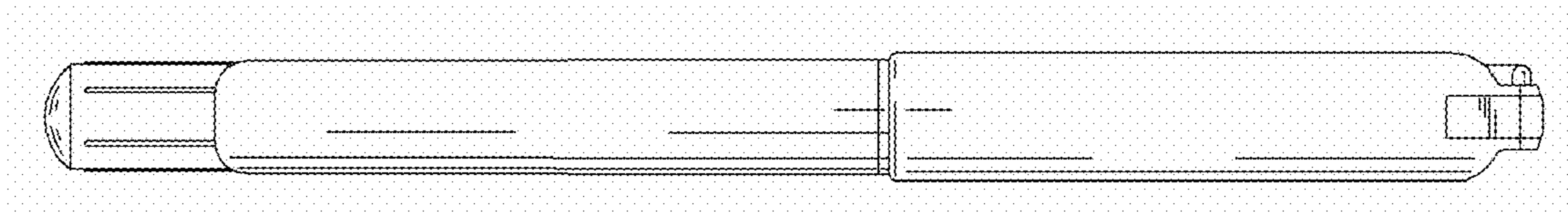




FIG. 8

