



US00D646711S

(12) **United States Design Patent**
Funato

(10) **Patent No.:** **US D646,711 S**

(45) **Date of Patent:** **** Oct. 11, 2011**

(54) **BANK NOTE COUNTING MACHINE**

(75) Inventor: **Akio Funato**, Osaka (JP)

(73) Assignee: **Laurel Machinery Co., Ltd.**, Osaka-shi (JP)

(**) Term: **14 Years**

(21) Appl. No.: **29/309,898**

(22) Filed: **Nov. 6, 2008**

(30) **Foreign Application Priority Data**

May 9, 2008 (JP) 2008-011643

(51) **LOC (9) Cl.** **18-01**

(52) **U.S. Cl.** **D18/3.3**

(58) **Field of Classification Search** D18/3.1,
D18/3.2, 3.3, 12, 12.1, 12.2, 12.3, 46, 47,
D18/48, 49, 56, 59; D99/28, 34, 35, 36,
D99/43; 101/2; 209/534; 235/375, 379;
382/135

See application file for complete search history.

(56) **References Cited**

U.S. PATENT DOCUMENTS

D274,520	S *	7/1984	Bressler	D18/49
D294,834	S *	3/1988	McDonald	D18/3.3
D338,905	S *	8/1993	Helgeson	D18/3.3
D369,984	S *	5/1996	Larsen	D10/97
D377,766	S *	2/1997	Hidaka et al.	D18/3.3
5,790,697	A *	8/1998	Munro et al.	382/135
5,875,259	A *	2/1999	Mennie et al.	382/135
5,912,982	A *	6/1999	Munro et al.	382/135
5,938,044	A *	8/1999	Weggesser	209/534
6,028,951	A *	2/2000	Rateman et al.	382/135
D427,623	S *	7/2000	Kuwada et al.	D18/3.1
D439,604	S *	3/2001	Takagi et al.	D18/3.3

D452,973	S *	1/2002	Kuwada	D18/3.3
6,351,551	B1 *	2/2002	Munro et al.	382/135
D457,554	S *	5/2002	Takagi et al.	D18/3.3
6,493,461	B1 *	12/2002	Mennie et al.	382/135
D477,349	S *	7/2003	Osada	D18/3.1
6,908,029	B2 *	6/2005	Numata et al.	235/375
6,980,684	B1 *	12/2005	Munro et al.	382/135
D517,115	S *	3/2006	Kuwada	D18/3.3
D539,332	S *	3/2007	Gonzalez	D18/3.3
2001/0006557	A1 *	7/2001	Mennie et al.	382/135
2003/0118228	A1 *	6/2003	Mennie et al.	382/135
2005/0213803	A1 *	9/2005	Mennie	382/135

FOREIGN PATENT DOCUMENTS

JP	1138463	4/2002
JP	1238506	5/2005

* cited by examiner

Primary Examiner — Elizabeth J Oswecki

(74) *Attorney, Agent, or Firm* — Nixon & Vanderhye P.C.

(57) **CLAIM**

The ornamental design for a bank note counting machine, as shown and described.

DESCRIPTION

FIG. 1 is a front, perspective view of a bank note counting machine showing my new design.

FIG. 2 is a rear, perspective view thereof.

FIG. 3 is a front elevation view thereof.

FIG. 4 is a rear elevation view thereof.

FIG. 5 is a top plan view thereof.

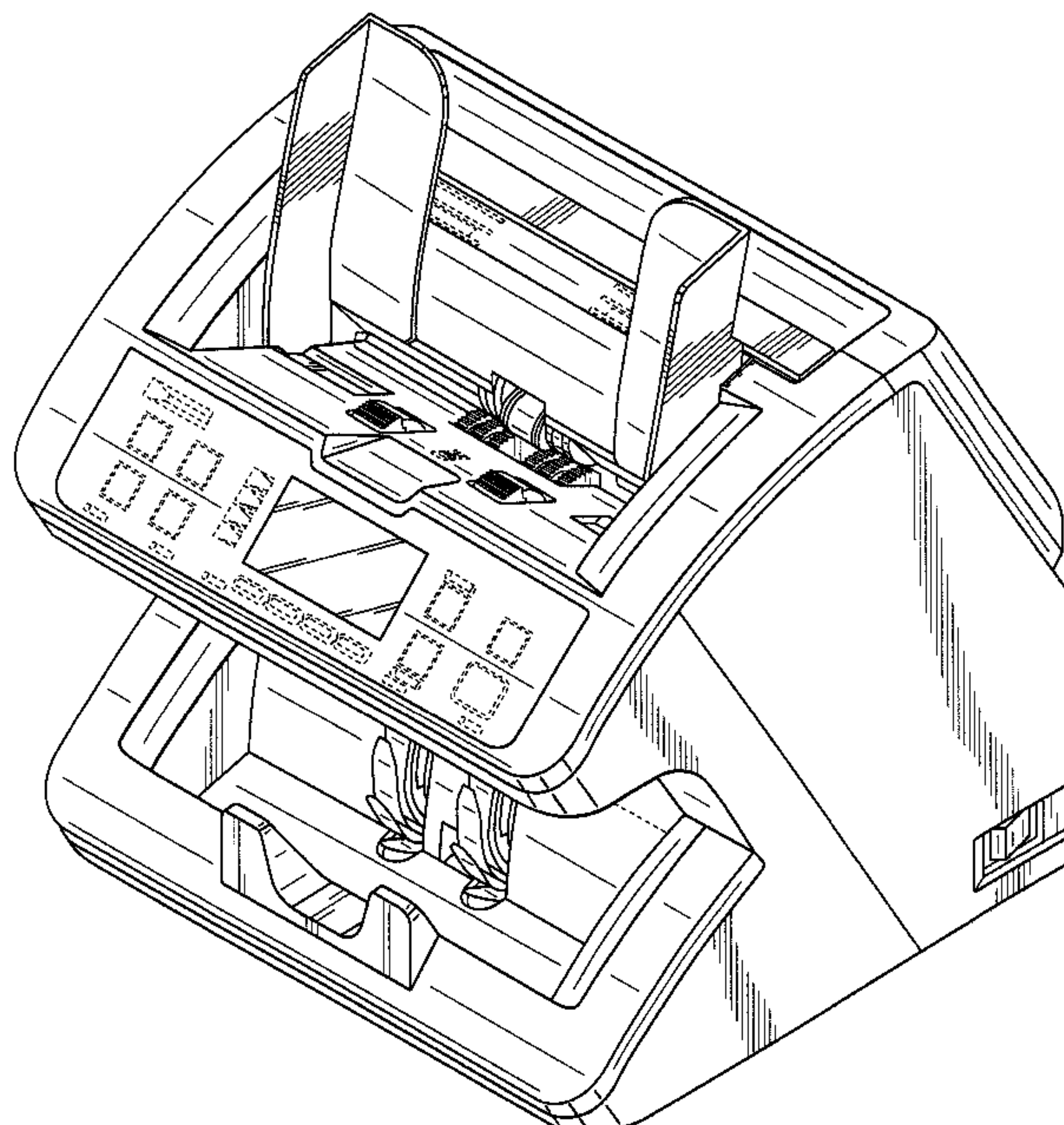
FIG. 6 is a bottom plan view thereof.

FIG. 7 is a left side elevation view thereof; and,

FIG. 8 is a right side elevation view thereof.

The broken lines represent unclaimed structure or environment of the bank note counting machine, and do not form part of the claimed design.

1 Claim, 8 Drawing Sheets



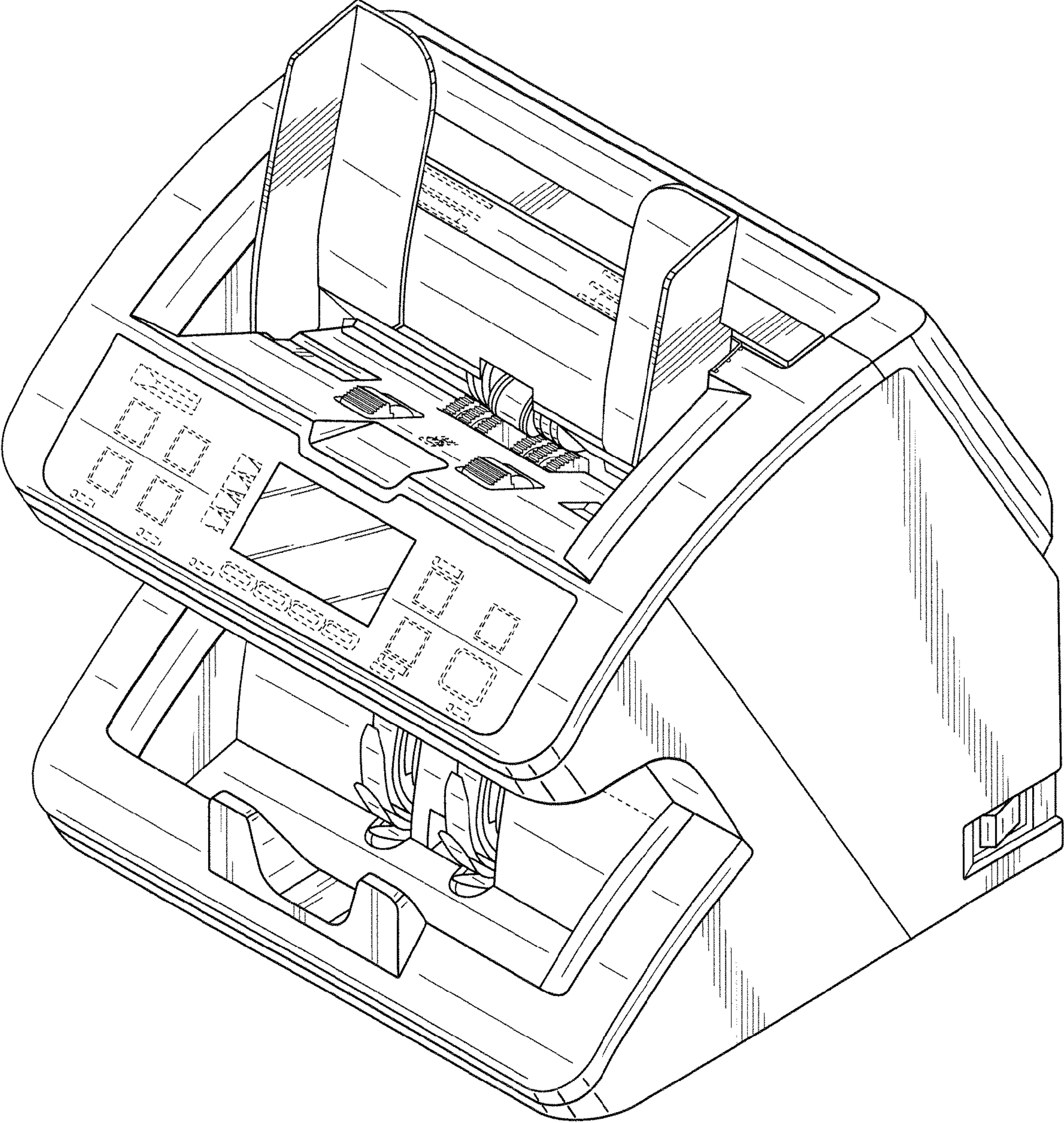


FIG. 1

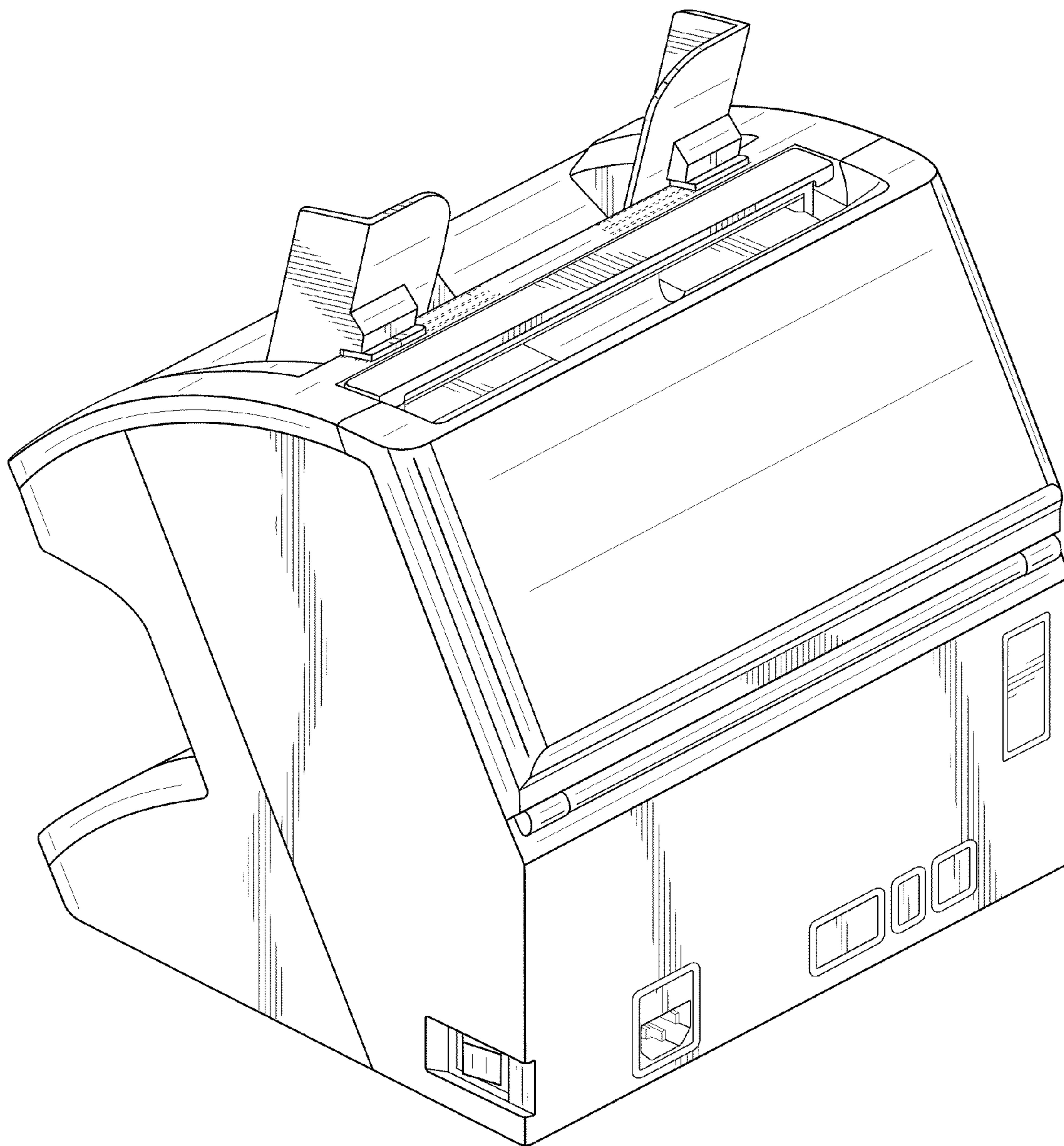


FIG. 2

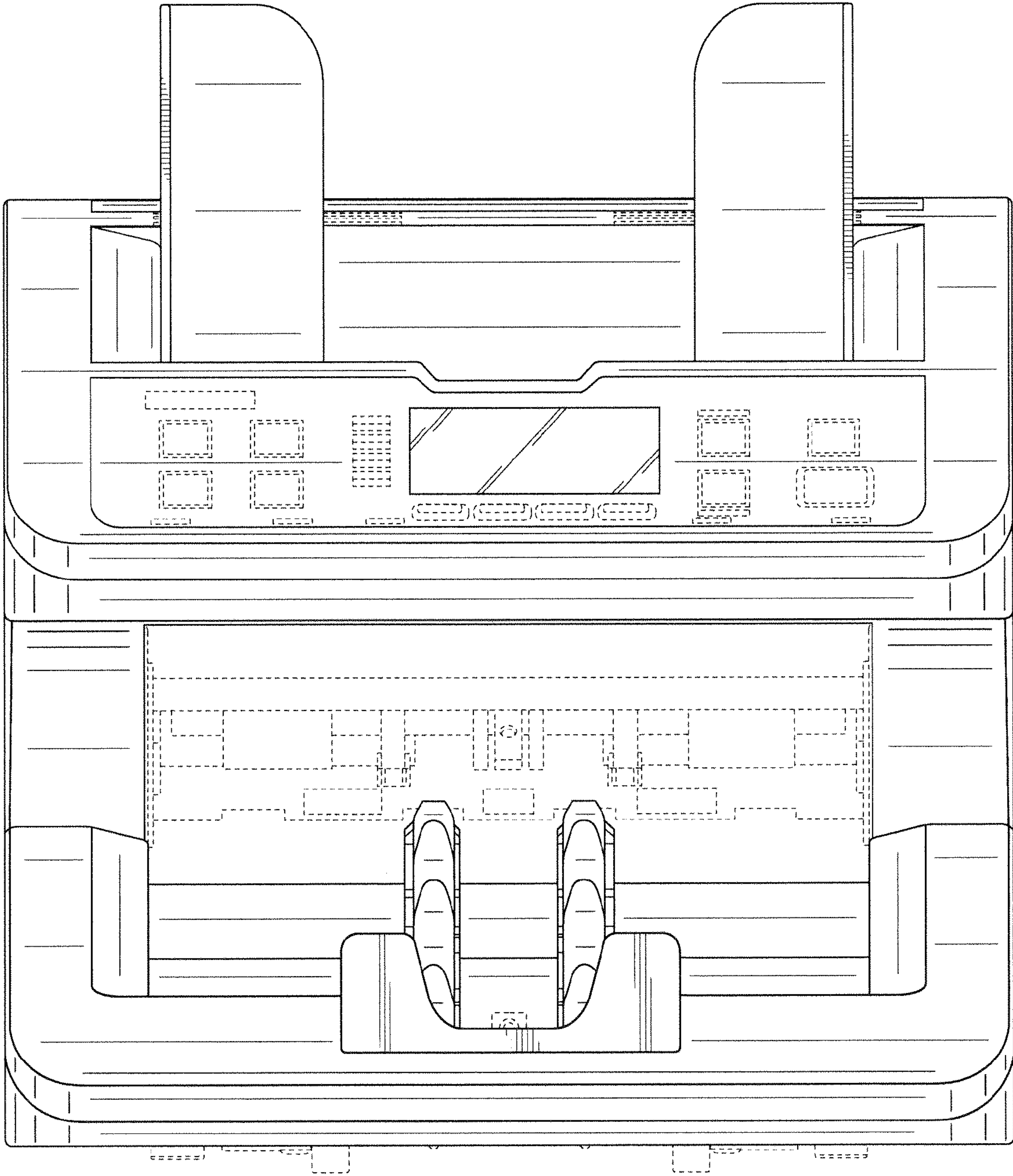


FIG. 3

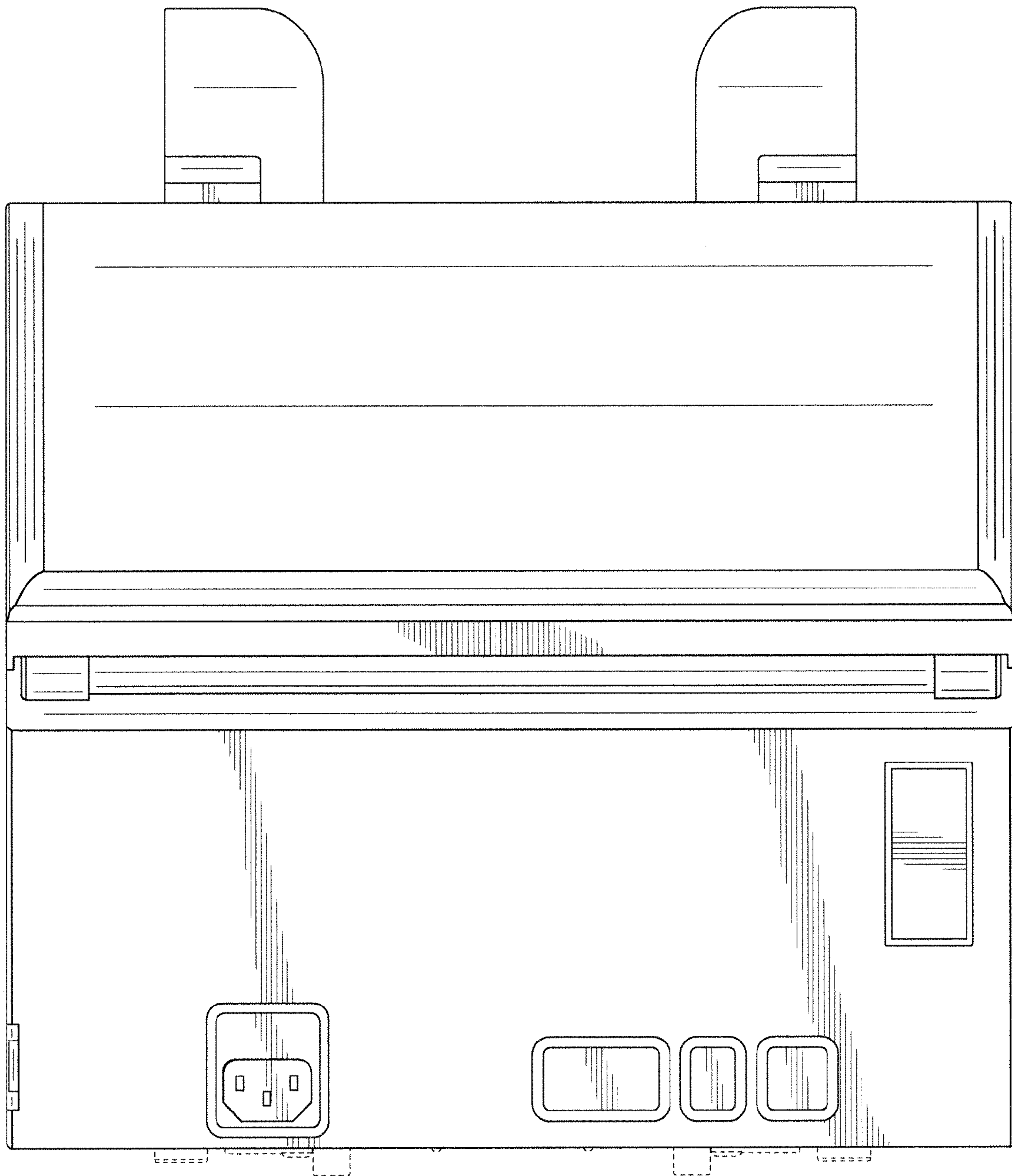


FIG. 4

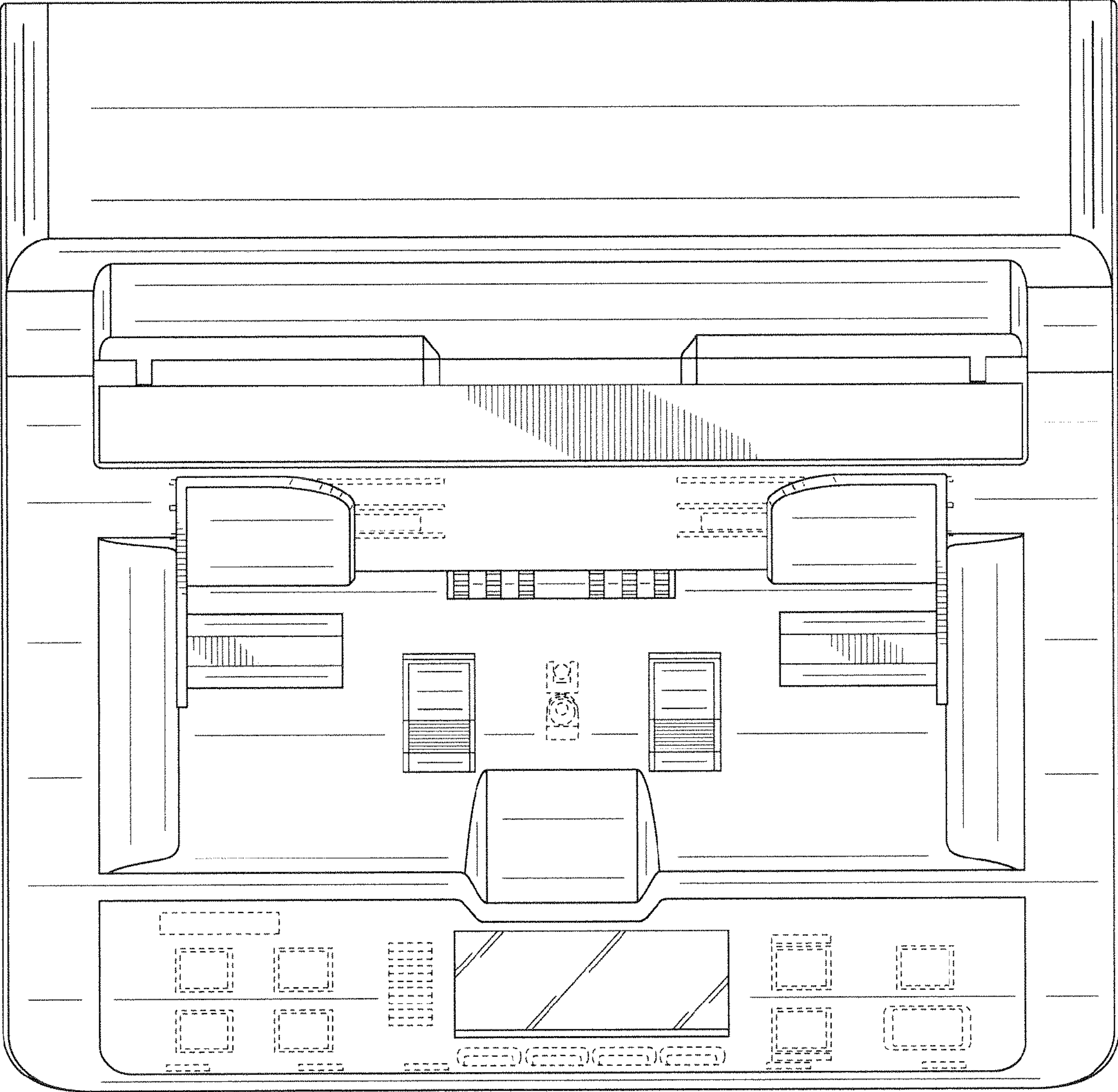


FIG. 5

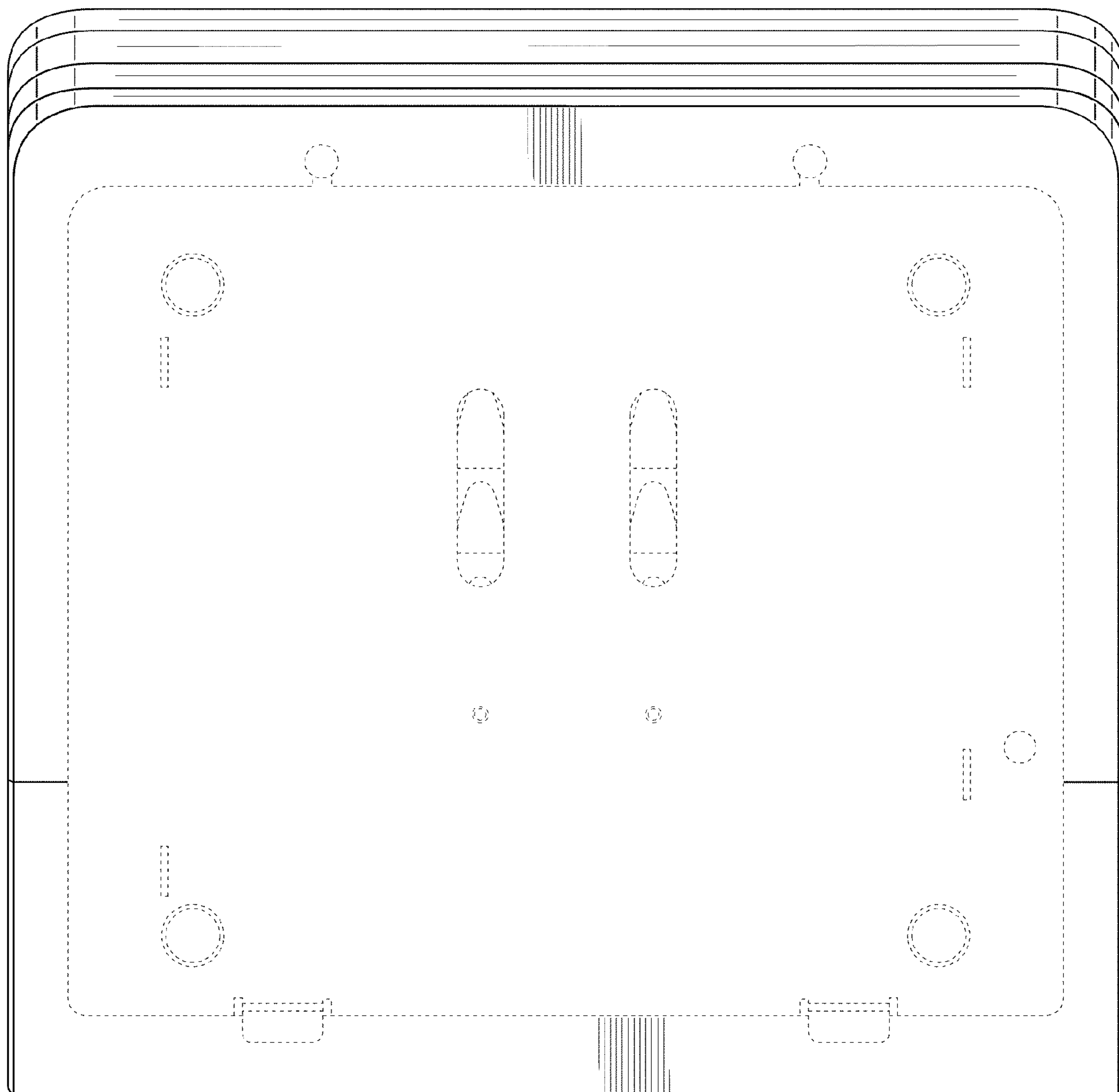


FIG. 6

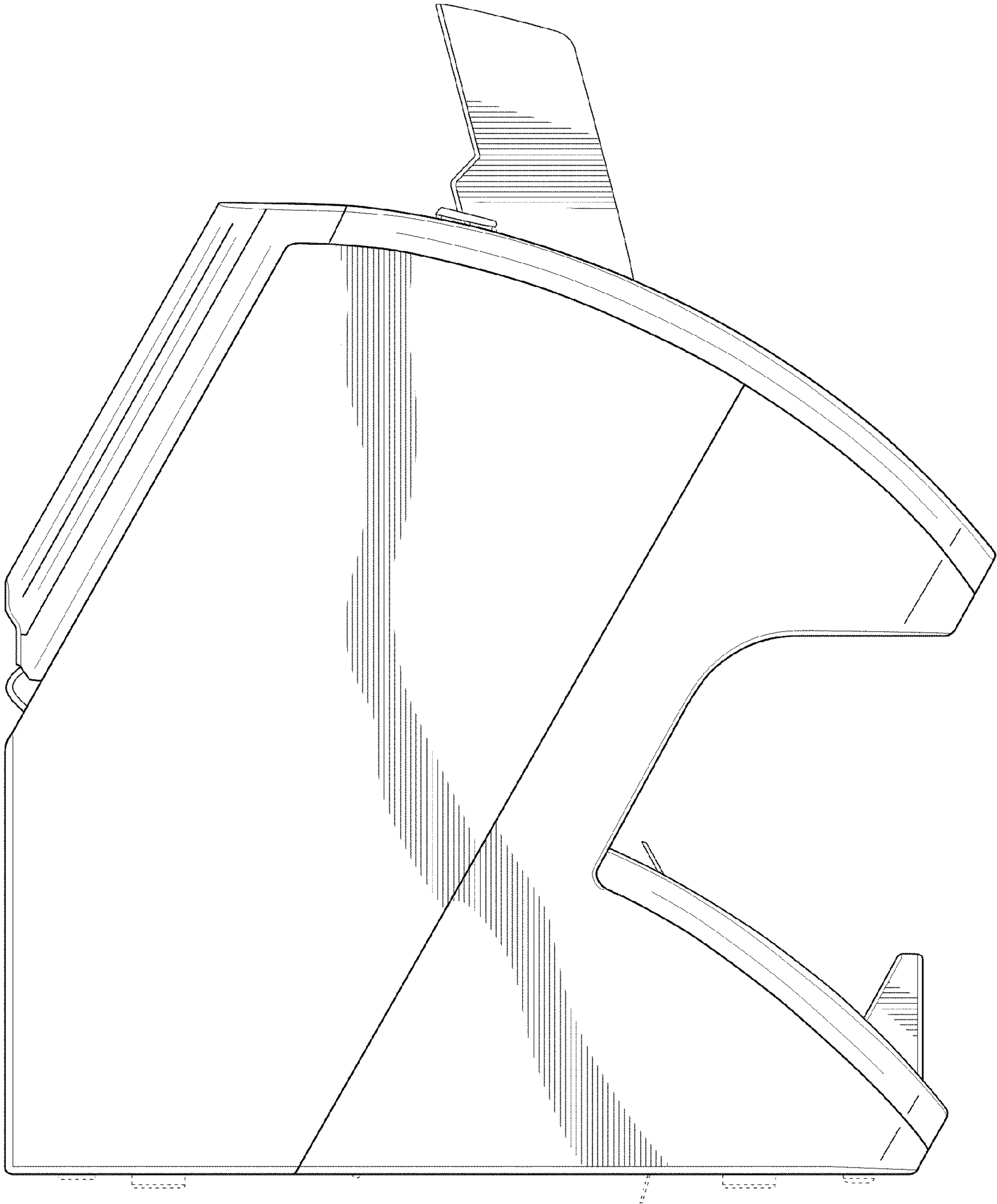


FIG. 7

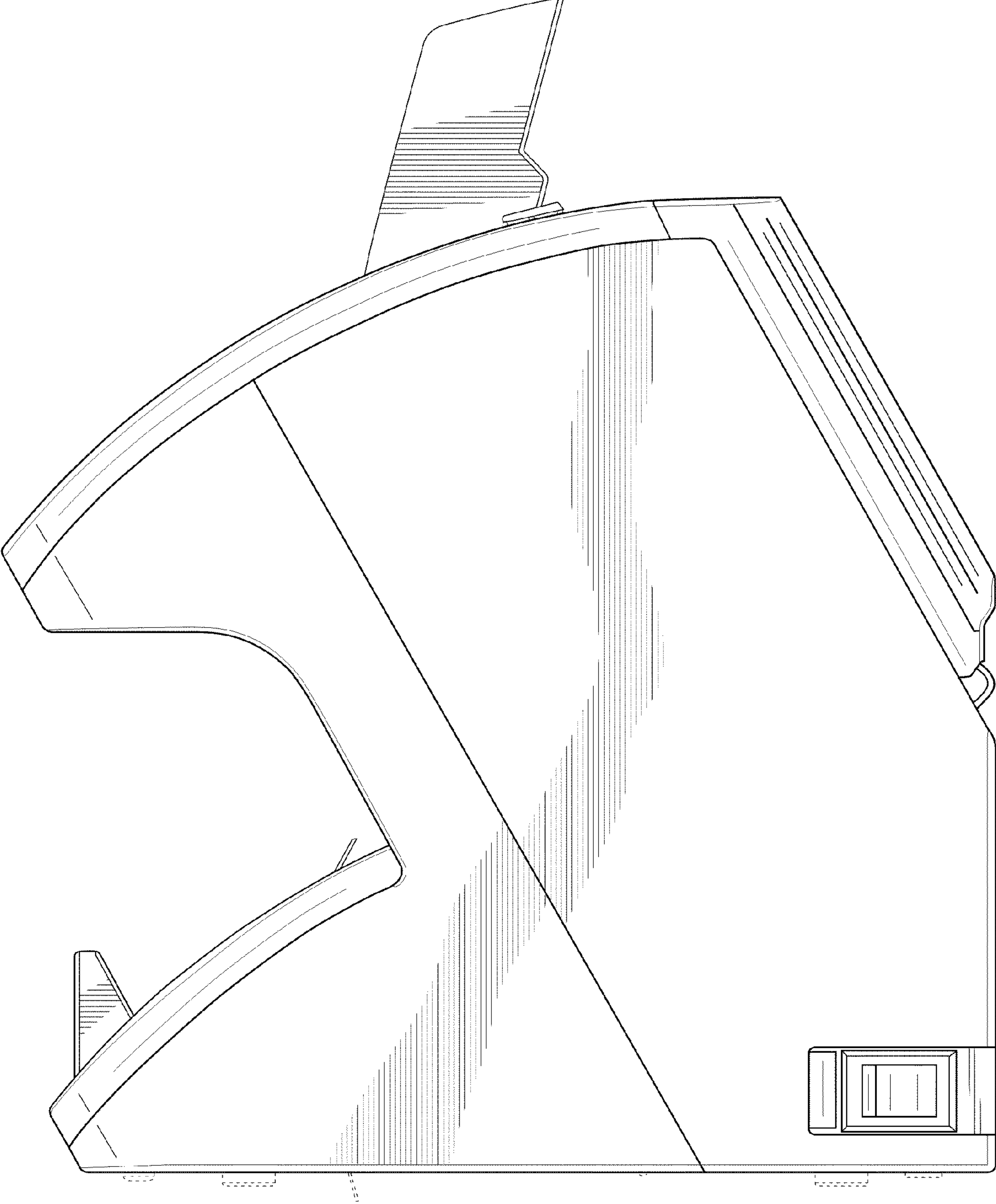


FIG. 8