



US00D646710S

(12) **United States Design Patent**  
**Chaput**

(10) **Patent No.:** **US D646,710 S**

(45) **Date of Patent:** **\*\* Oct. 11, 2011**

(54) **STRING CLAMP**

(76) Inventor: **Reynald L. Chaput**, Torrance, CA (US)

(\*\*) Term: **14 Years**

(21) Appl. No.: **29/315,728**

(22) Filed: **Jul. 17, 2009**

(51) **LOC (9) Cl.** ..... **17-02**

(52) **U.S. Cl.** ..... **D17/20**

(58) **Field of Classification Search** ..... D17/1,  
D17/7, 9, 12, 13, 14, 20, 10, 18, 99; 84/13,  
84/27, 29, 30, 33, 34, 40, 174, 377, DIG. 14,  
84/379, 384; 984/51, 52, 101, 113, 114  
See application file for complete search history.

(56) **References Cited**

**U.S. PATENT DOCUMENTS**

4,230,014 A \* 10/1980 Hoshino ..... 84/299  
4,334,457 A \* 6/1982 Spoons, III ..... 84/318  
5,623,110 A \* 4/1997 Hoglund et al. .... 84/318

6,369,305 B1 \* 4/2002 Powers et al. .... 84/298  
D468,760 S \* 1/2003 Powers et al. .... D17/20  
D591,790 S \* 5/2009 Schroeder ..... D17/14

\* cited by examiner

*Primary Examiner* — Ian Simmons

*Assistant Examiner* — Charles Hanson

(57) **CLAIM**

The ornamental design for a string clamp, as shown and described.

**DESCRIPTION**

FIG. 1 is a perspective view of a string clamp showing my new design;

FIG. 2 is a top view thereof;

FIG. 3 is a front view thereof;

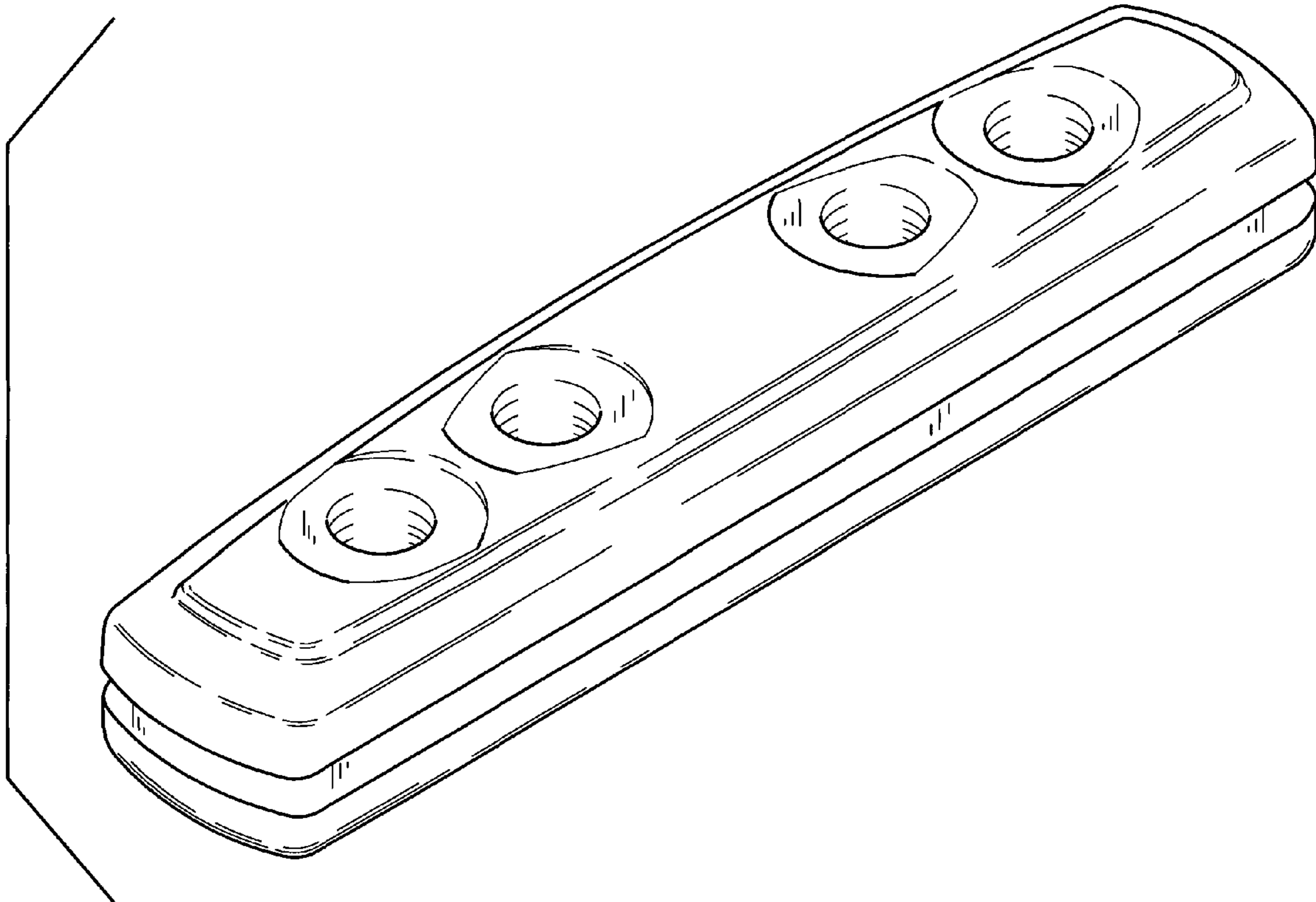
FIG. 4 is a rear view thereof;

FIG. 5 is a right side view thereof; and,

FIG. 6 is a left side view thereof.

The string clamp is comprised of two separate components.

**1 Claim, 4 Drawing Sheets**



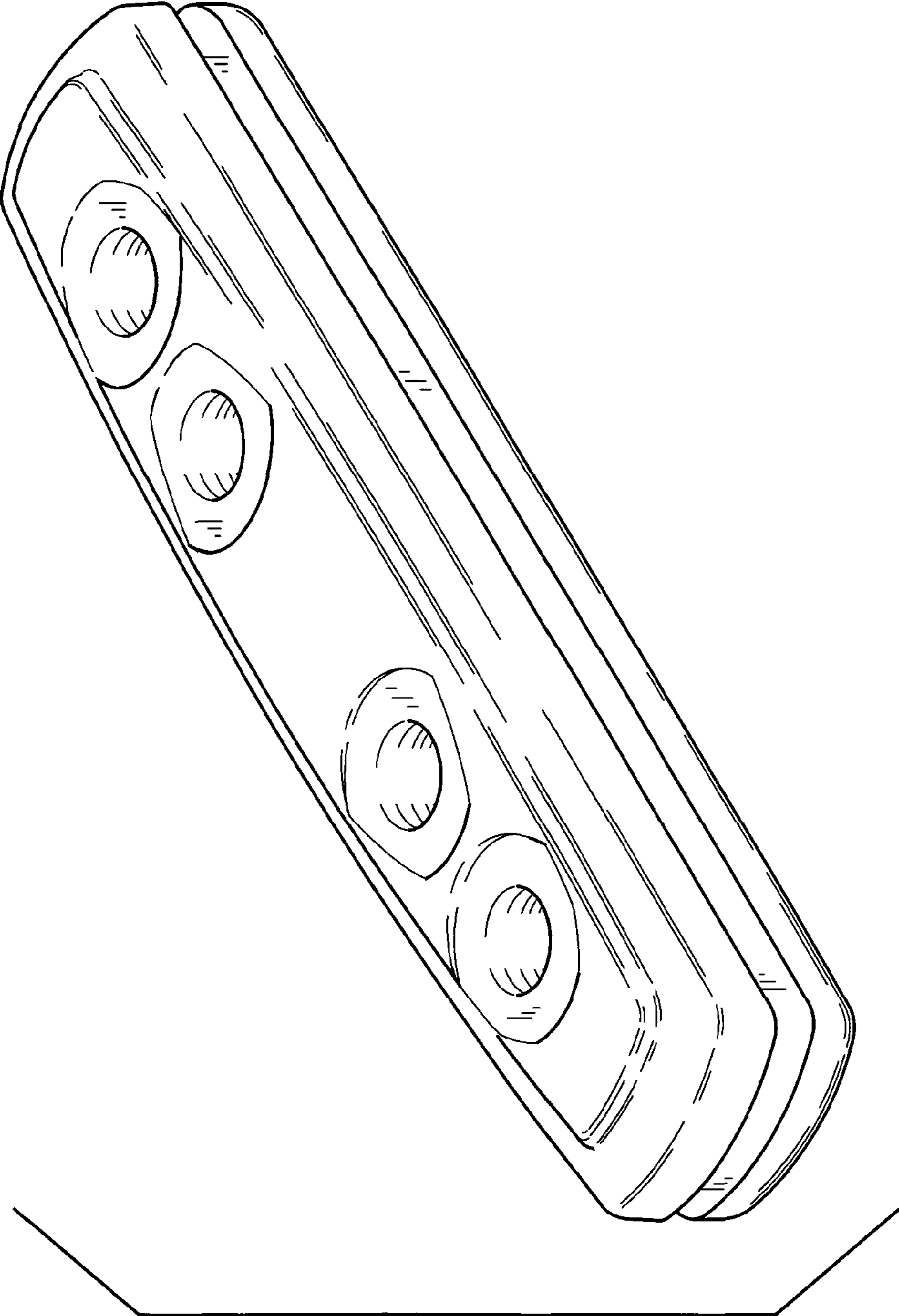


Fig. 1

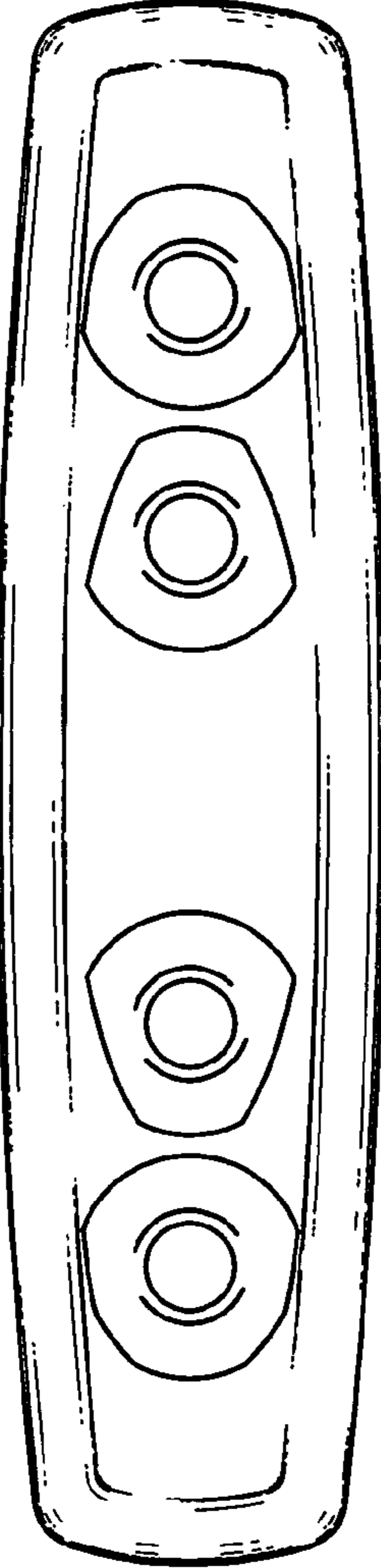


Fig. 2

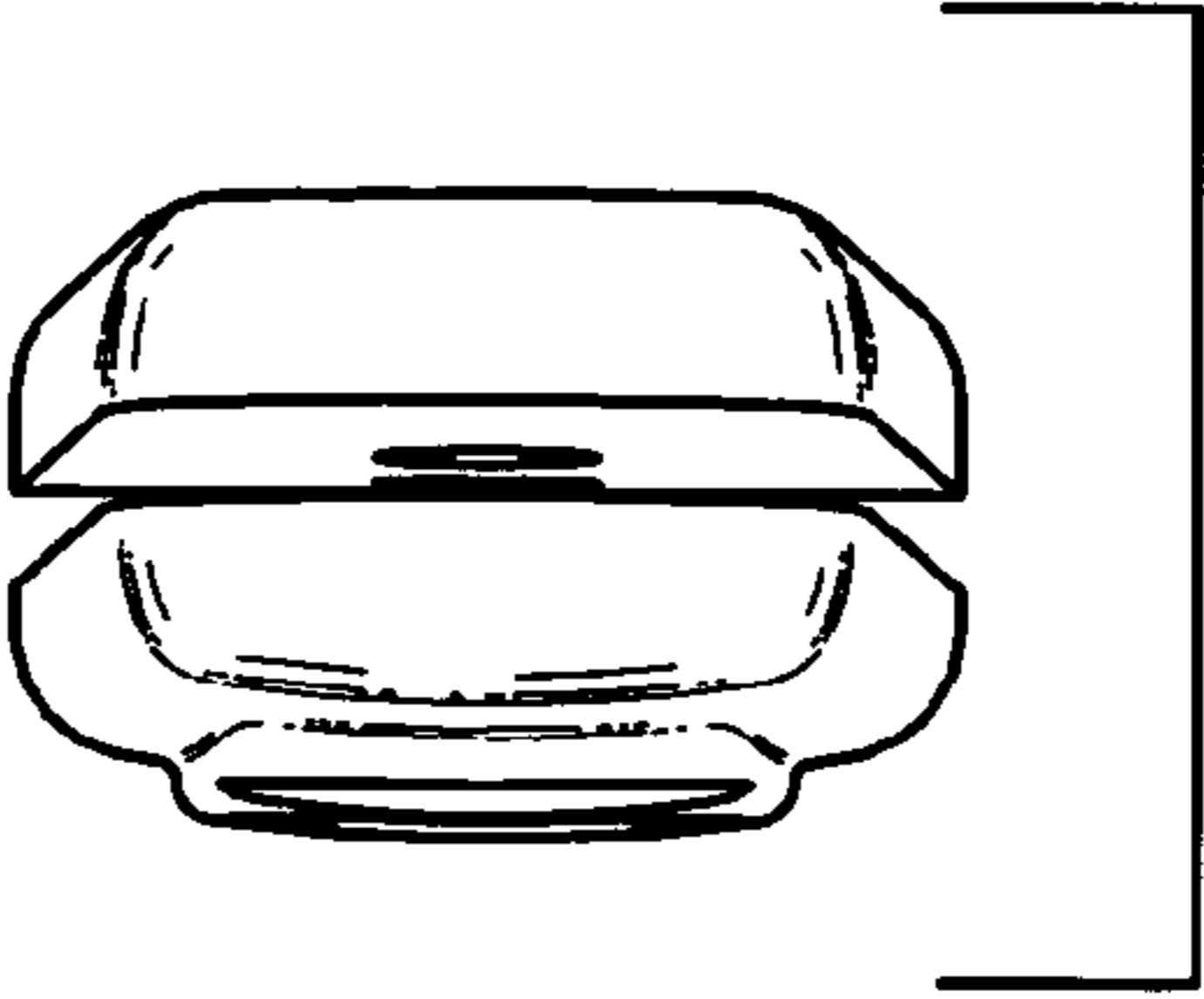


Fig. 3

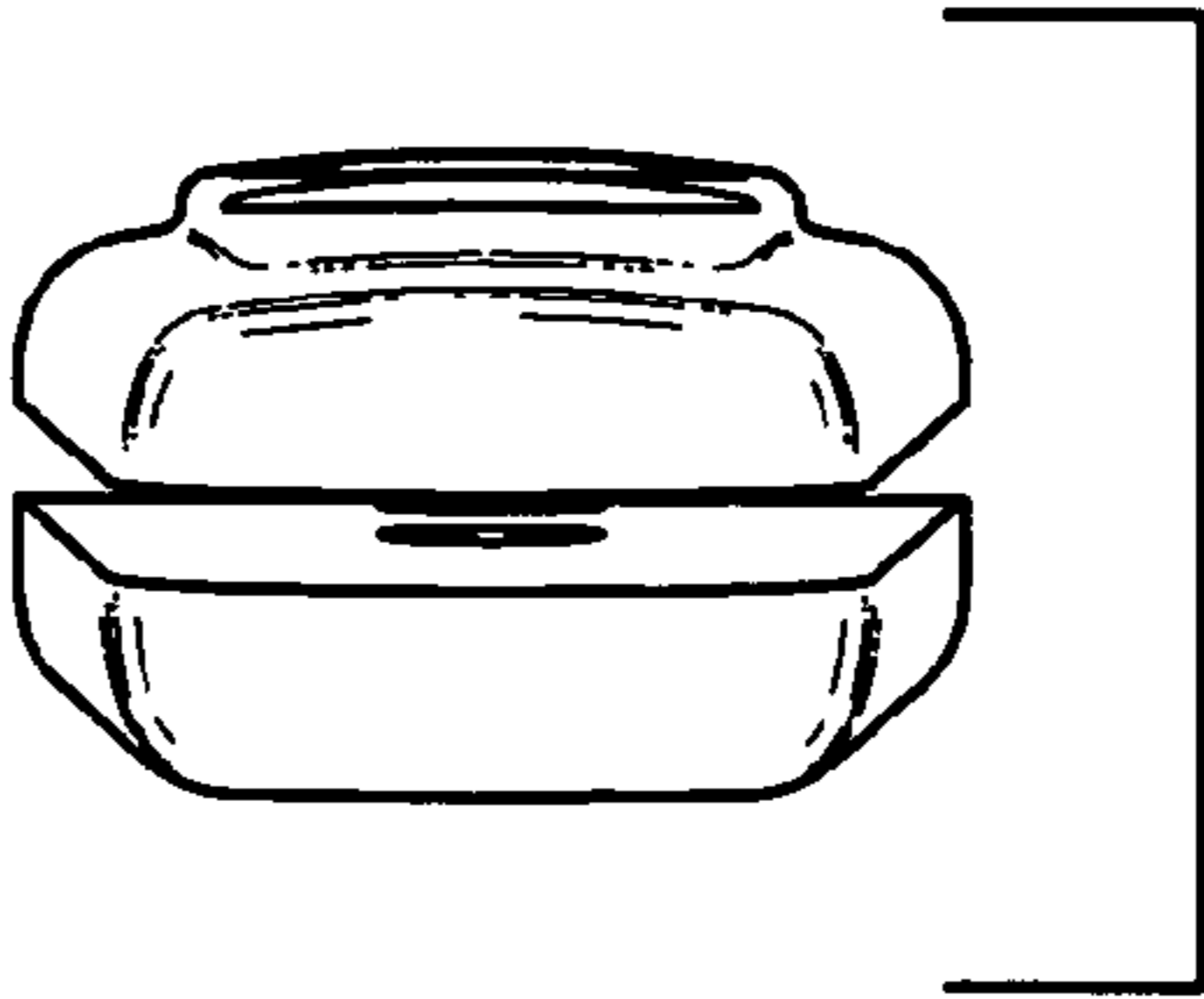


Fig. 4

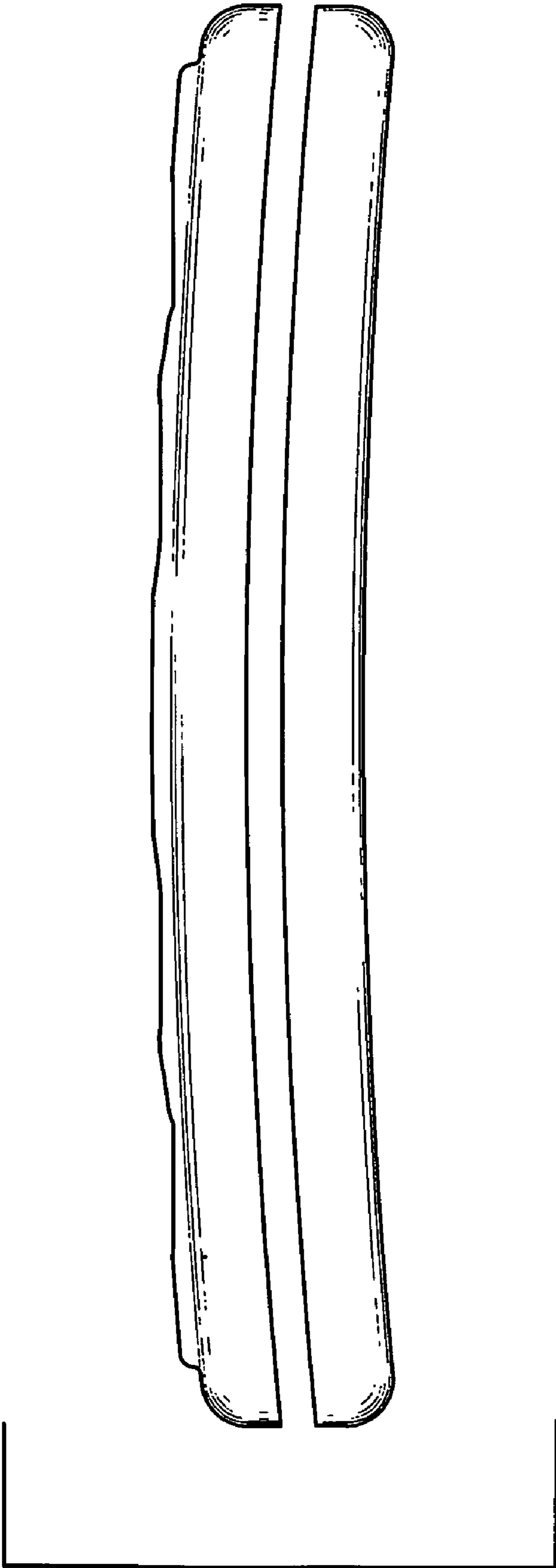


Fig. 5

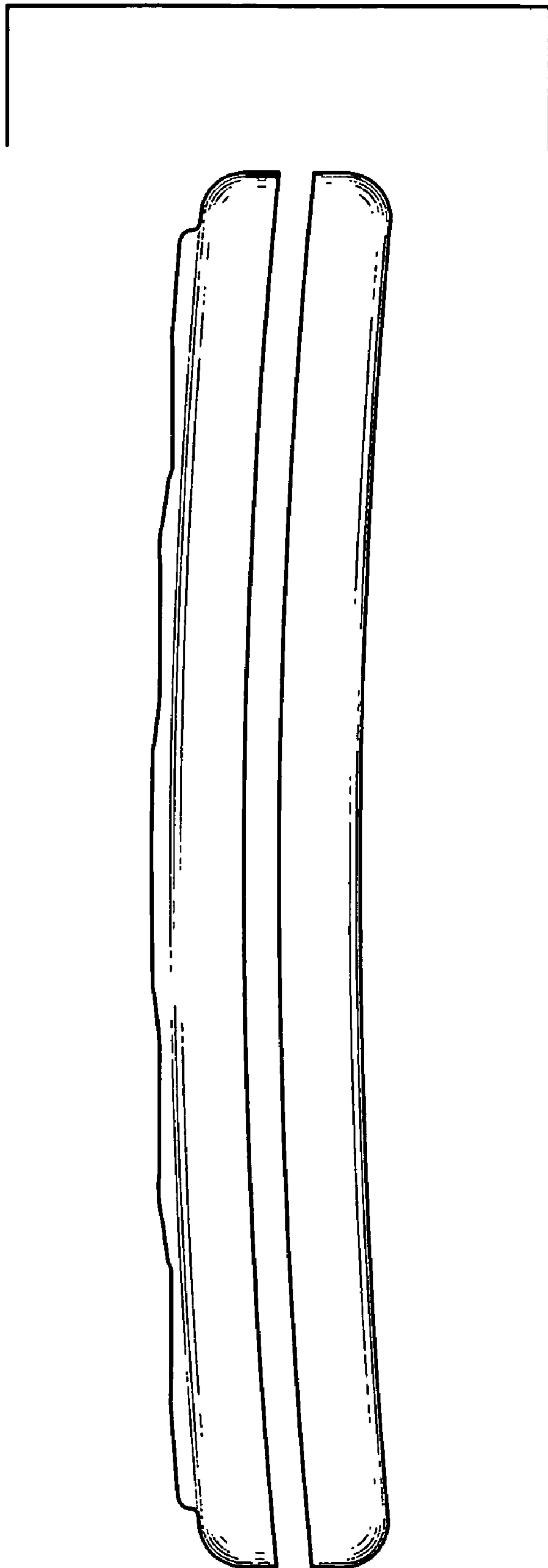


Fig. 6