



US00D646709S

(12) **United States Design Patent**  
**Mitchell**

(10) **Patent No.:** **US D646,709 S**

(45) **Date of Patent:** **\*\* Oct. 11, 2011**

(54) **3-D GLASSES**

(75) **Inventor:** **Gary Mitchell**, Knoxville, TN (US)

(73) **Assignee:** **American Accessories International LLC**, Knoxville, TN (US)

(\*\*) **Term:** **14 Years**

(21) **Appl. No.:** **29/378,896**

(22) **Filed:** **Nov. 11, 2010**

(51) **LOC (9) Cl.** ..... **16-06**

(52) **U.S. Cl.** ..... **D16/326; D16/309; D16/306**

(58) **Field of Classification Search** ..... D16/101,  
D16/300-342; D29/109-110; D24/110.2;  
351/41, 44, 51-52, 62, 158, 92, 103-123,  
351/140, 153, 45-46; 2/426-432, 447-449,  
2/441, 434-437, 13, 15; D21/483, 659-661,  
D21/598

See application file for complete search history.

(56) **References Cited**

**U.S. PATENT DOCUMENTS**

D596,659 S \* 7/2009 Kucera et al. .... D16/326  
D600,738 S \* 9/2009 Su et al. .... D16/300

D616,486 S \* 5/2010 Carlow et al. .... D16/325  
D626,167 S \* 10/2010 Liu ..... D16/326  
D633,131 S \* 2/2011 Seo et al. .... D16/326

\* cited by examiner

*Primary Examiner* — Raphael Barkai

(74) *Attorney, Agent, or Firm* — Ryan A. Schneider, Esq.;  
Troutman Sanders LLP

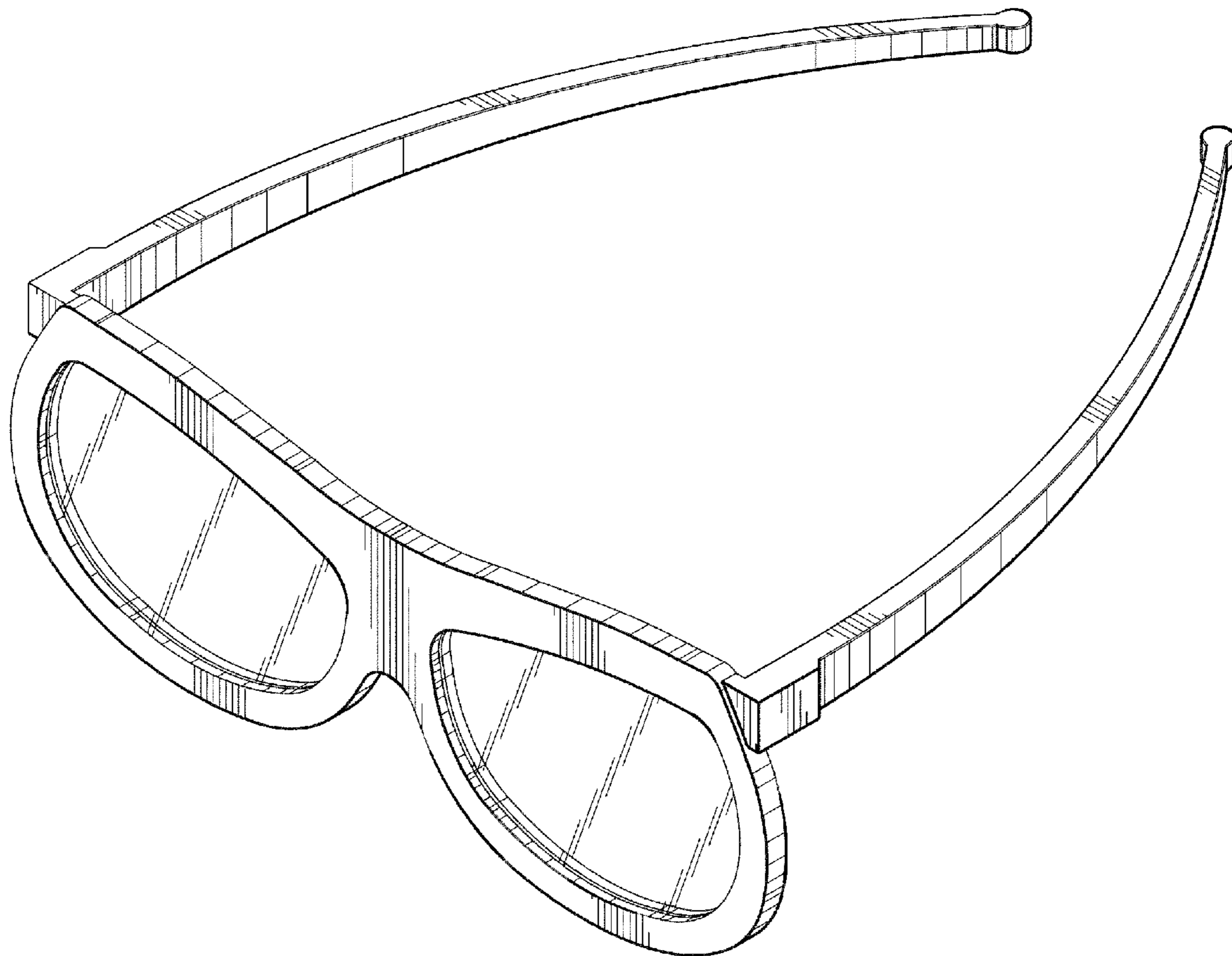
(57) **CLAIM**

The ornamental design for 3-D glasses, as shown and described.

**DESCRIPTION**

FIG. 1 is an isometric perspective view of the front and top of the 3-D glasses;  
FIG. 2 is an isometric perspective view of the rear and bottom of the 3-D glasses;  
FIG. 3 is a front elevation view of the 3-D glasses;  
FIG. 4 is a side elevation view of the 3-D glasses;  
FIG. 5 is a rear elevation view of the 3-D glasses;  
FIG. 6 is a top elevation view of the 3-D glasses; and,  
FIG. 7 is a bottom elevation view of the 3-D glasses.

**1 Claim, 5 Drawing Sheets**



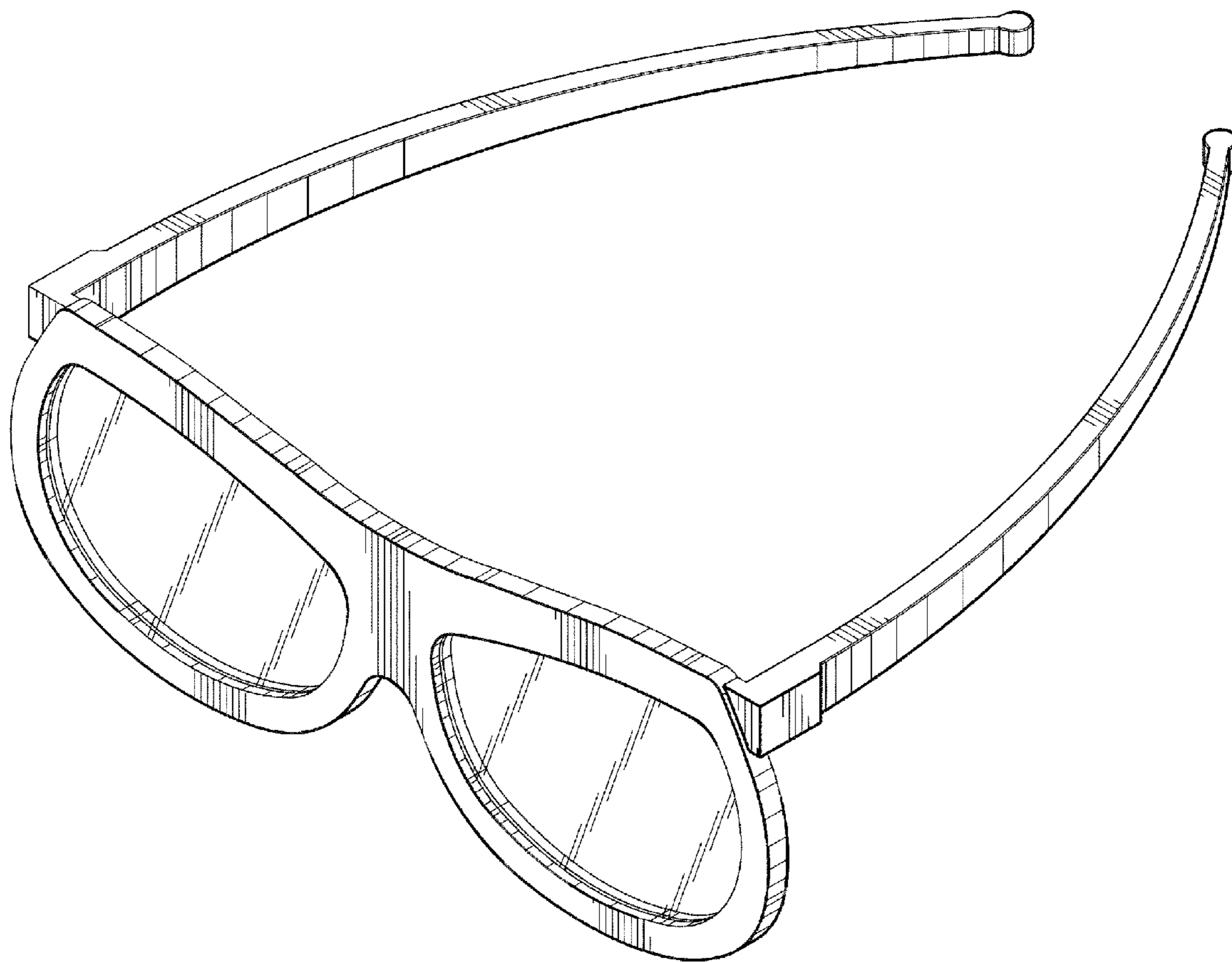


FIG. 1

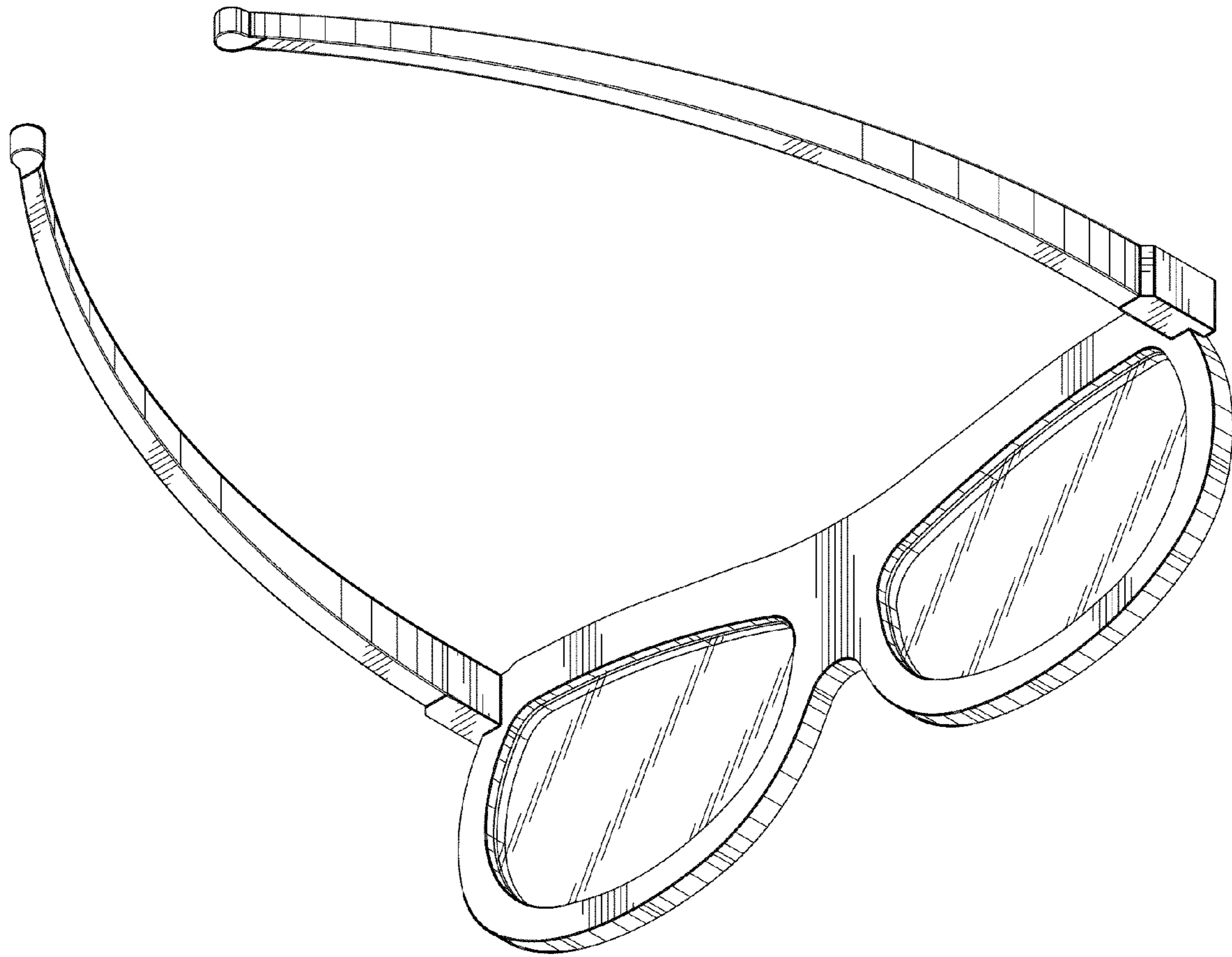


FIG. 2

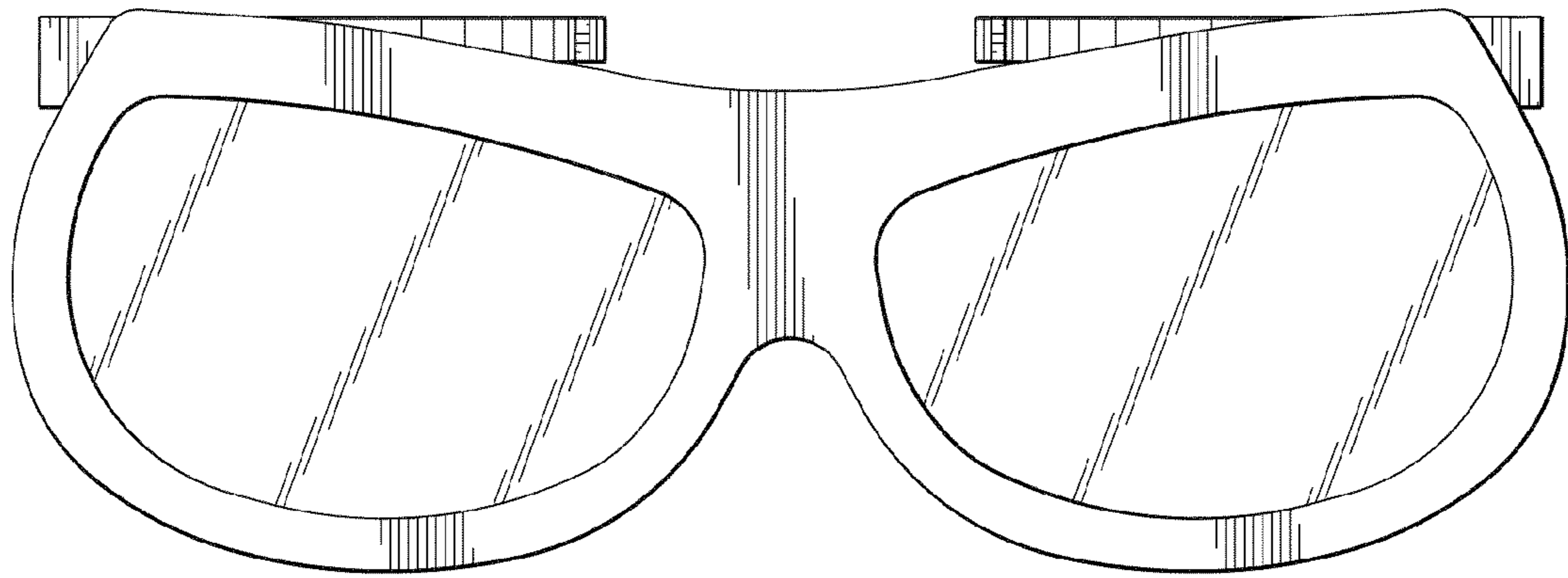


FIG. 3

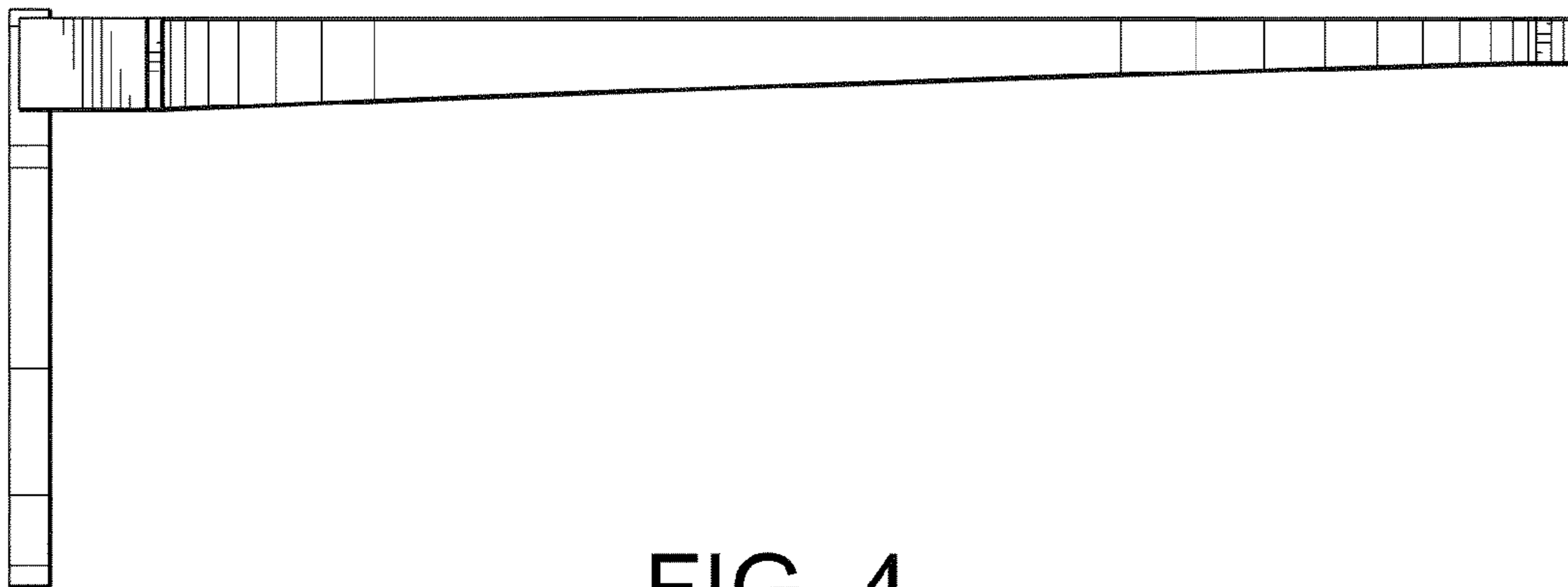


FIG. 4

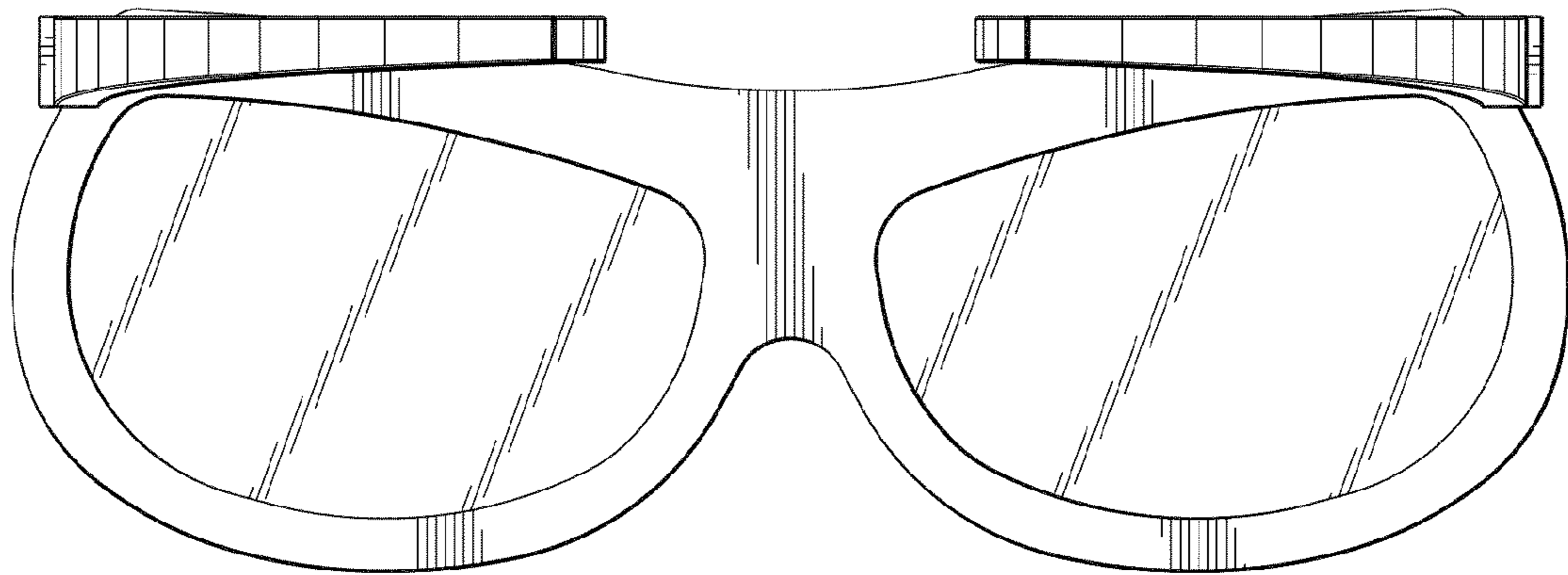


FIG. 5

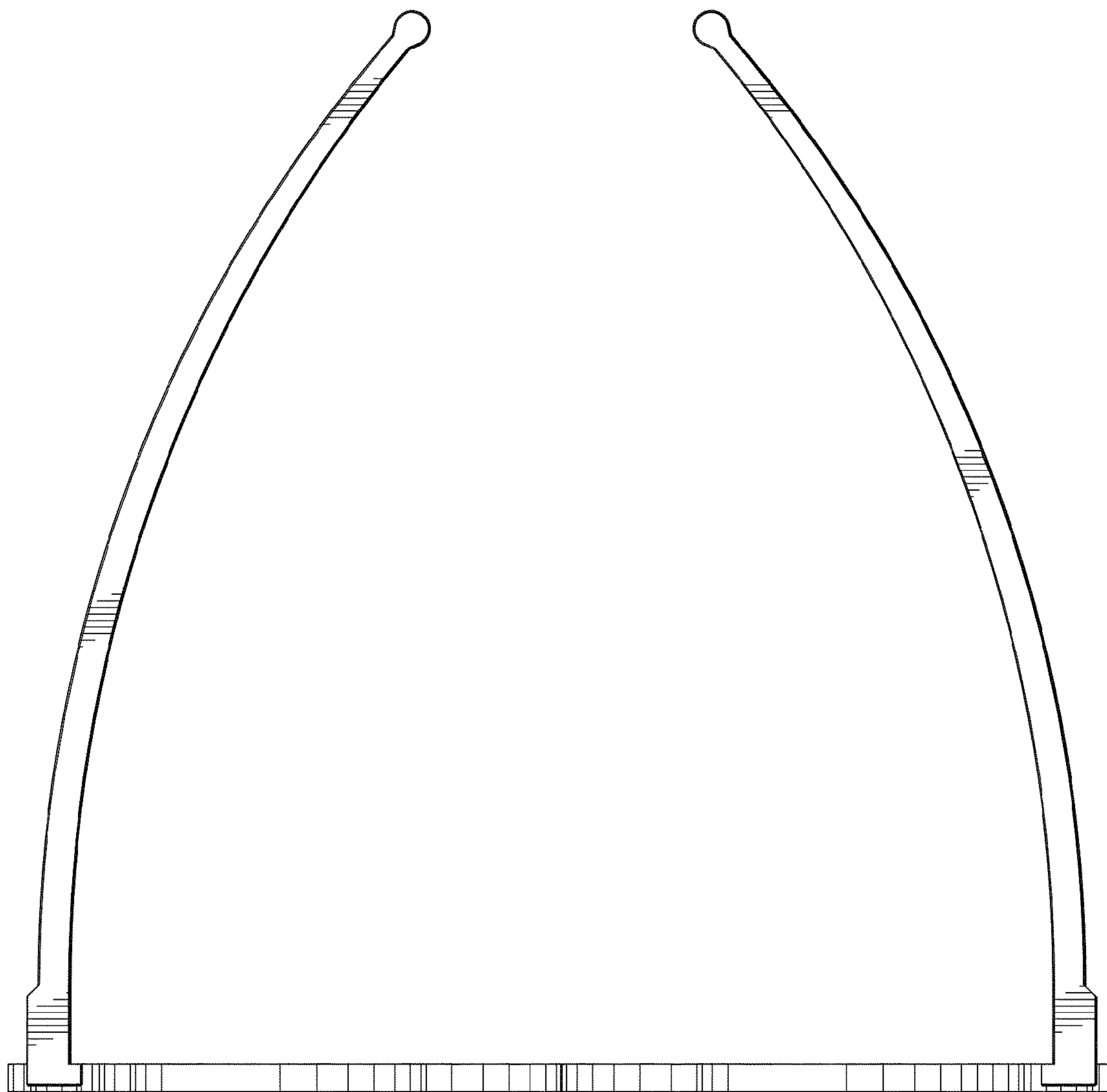


FIG. 6

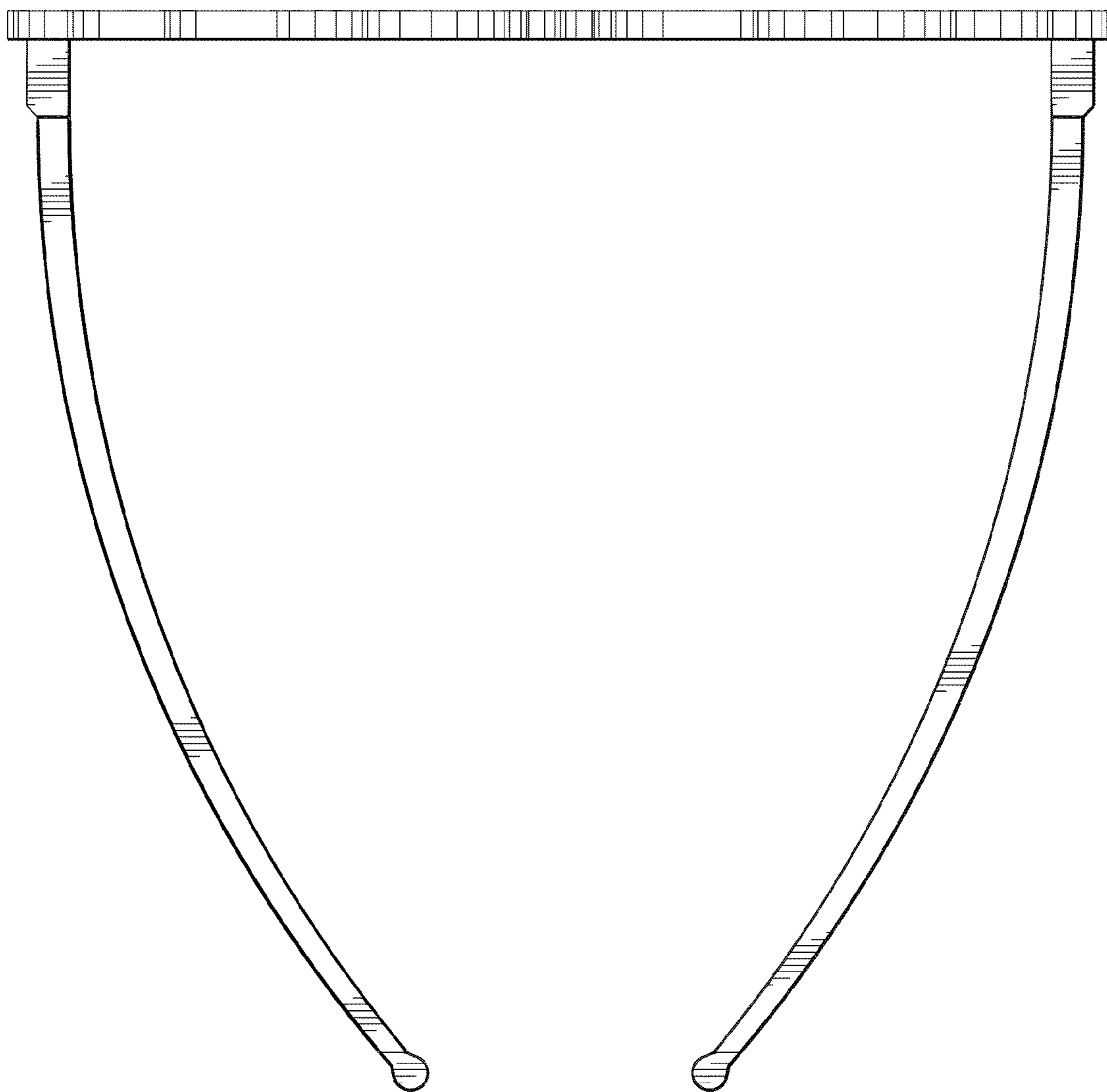


FIG. 7