



US00D646704S

(12) **United States Design Patent**
Funakoshi

(10) **Patent No.:** **US D646,704 S**

(45) **Date of Patent:** **** Oct. 11, 2011**

(54) **MICROSCOPE LENS BARREL**

(75) Inventor: **Yasuo Funakoshi**, Hachioji (JP)

(73) Assignee: **Olympus Corporation**, Tokyo (JP)

(**) Term: **14 Years**

(21) Appl. No.: **29/375,834**

(22) Filed: **Sep. 28, 2010**

(30) **Foreign Application Priority Data**

Mar. 29, 2010 (JP) 2010-007704

(51) **LOC (9) Cl.** **16-06**

(52) **U.S. Cl.** **D16/131**

(58) **Field of Classification Search** D16/130,
D16/131, 135, 136, 214, 219; 250/201.3;
359/361, 368, 376, 377, 378, 379, 380, 381,
359/382, 383, 384, 385, 388, 390, 393
See application file for complete search history.

(56) **References Cited**

U.S. PATENT DOCUMENTS

D160,703 S *	10/1950	Gallasch	D16/131
D181,896 S *	1/1958	Boughton	D16/131
D182,098 S *	2/1958	Armbruster	D16/131
D184,487 S *	2/1959	Maler	D16/131
3,512,860 A *	5/1970	Hansen et al.	359/377
3,637,283 A *	1/1972	Tasaki et al.	359/376
3,721,827 A *	3/1973	Reinheimer	250/201.3
D354,299 S *	1/1995	Hofmann-Igl	D16/131
D355,430 S *	2/1995	Hofmann-Igl	D16/131
D395,664 S *	6/1998	Nojima et al.	D16/131
D400,548 S *	11/1998	Komatsuzaki	D16/131
D417,880 S *	12/1999	Wani et al.	D16/131
D420,028 S *	2/2000	Wani et al.	D16/131

D439,258 S *	3/2001	Kawahata	D16/131
D477,008 S *	7/2003	Asaka et al.	D16/131
D502,194 S *	2/2005	Suzuki et al.	D16/131
D517,581 S *	3/2006	Apotheloz et al.	D16/131
D546,356 S *	7/2007	Apotheloz	D16/131
D577,047 S *	9/2008	Apotheloz	D16/131
D601,178 S *	9/2009	Apotheloz	D16/131
D607,030 S *	12/2009	Hoelbl	D16/131
D611,972 S *	3/2010	Apotheloz	D16/131
D630,660 S *	1/2011	Stoiakine	D16/131

* cited by examiner

Primary Examiner — Paula Greene

(74) *Attorney, Agent, or Firm* — Scully, Scott, Murphy & Presser, P.C.

(57) **CLAIM**

The ornamental design for a microscope lens barrel, as shown and described.

DESCRIPTION

FIG. 1 is a top, front and right side perspective view of a microscope lens barrel, applied to a microscope, showing my new design.

FIG. 2 is top, front and left side perspective view thereof;

FIG. 3 is a top, front and right side perspective view thereof;

FIG. 4 is a left side view thereof;

FIG. 5 is a right side view thereof;

FIG. 6 is a front view thereof;

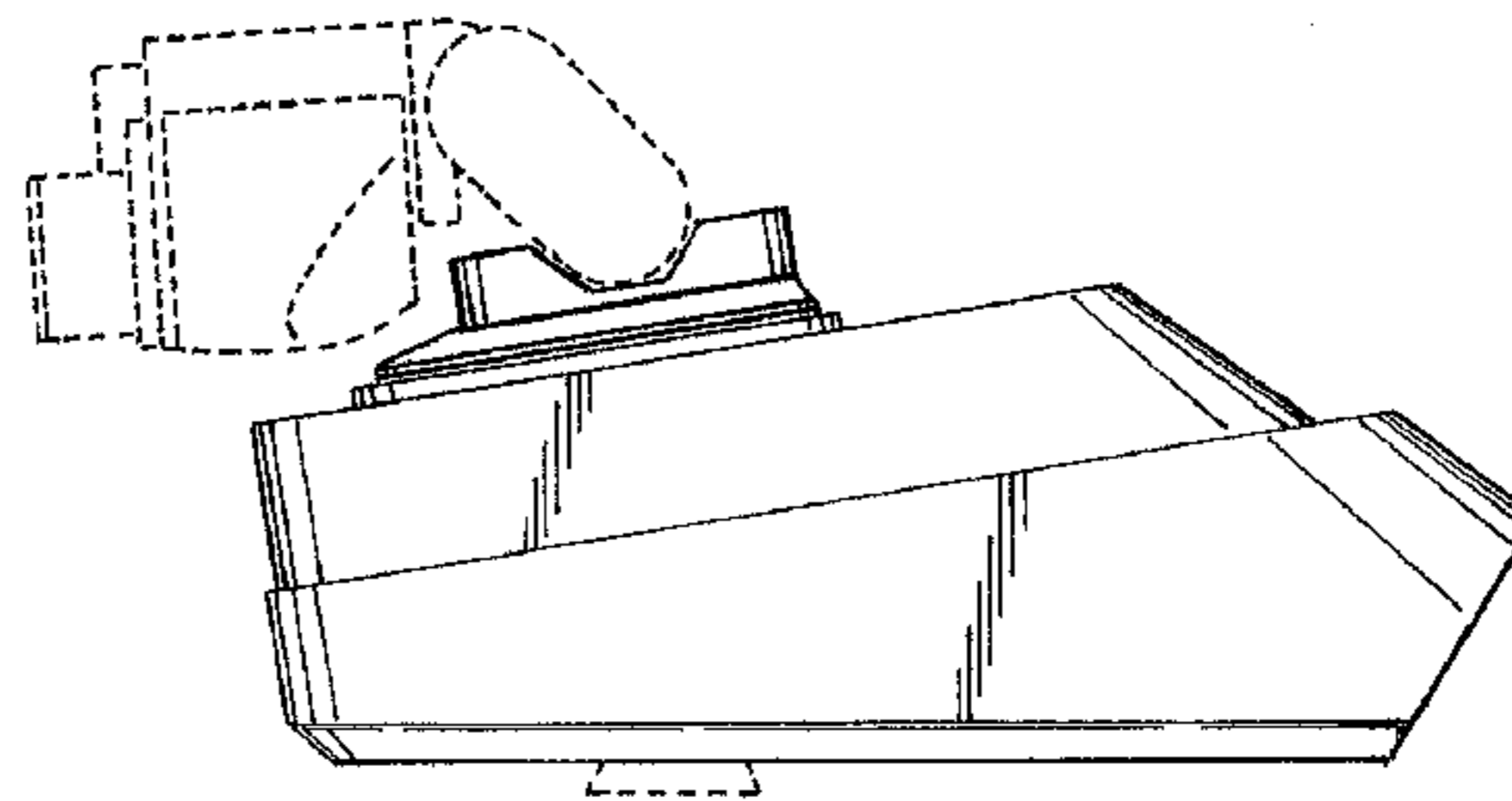
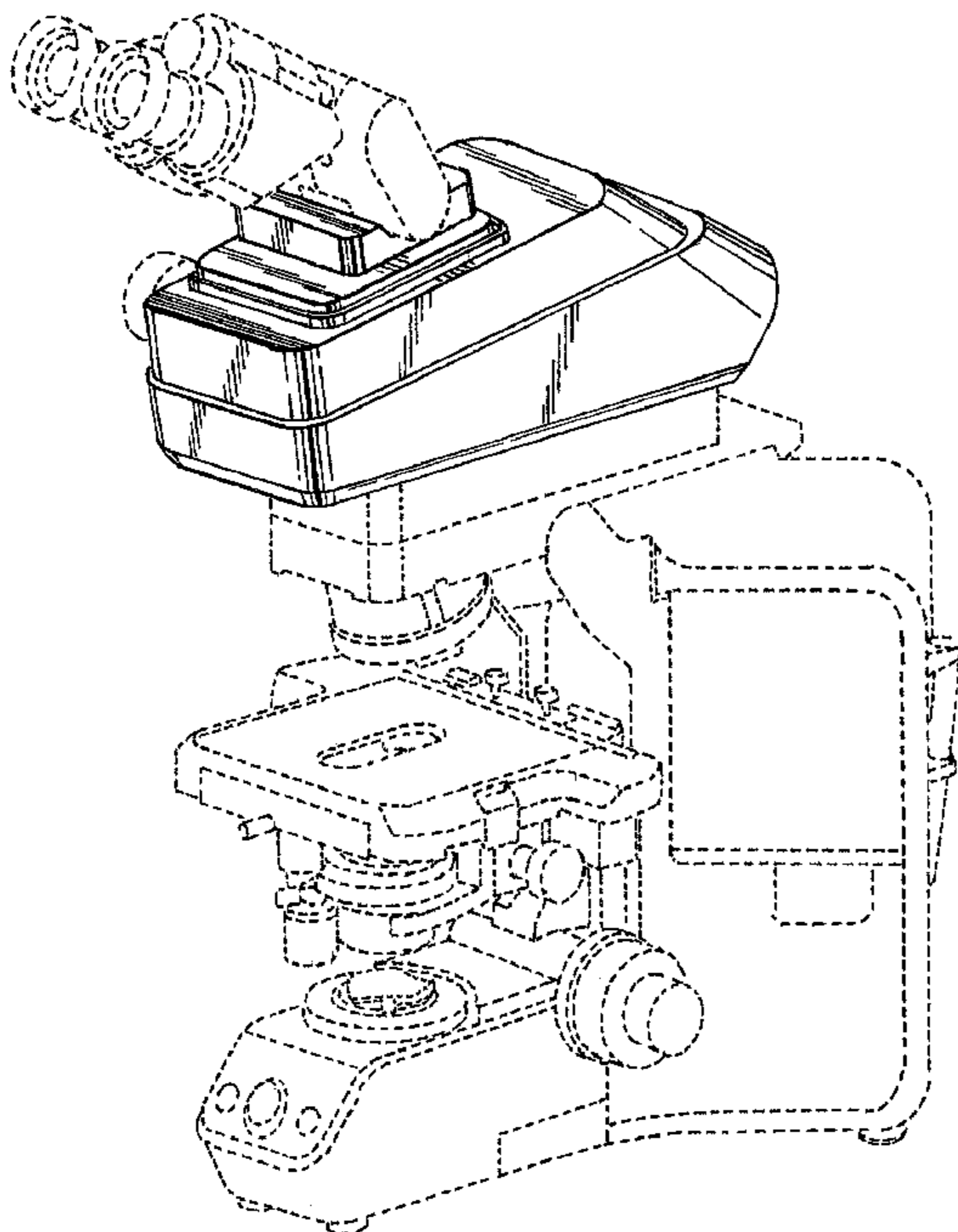
FIG. 7 is a rear view thereof;

FIG. 8 is a top plan view thereof; and,

FIG. 9 is a bottom plan view thereof.

The portions of the drawings shown in broken lines are for illustrative purposes only and form no part of the claimed design.

1 Claim, 5 Drawing Sheets



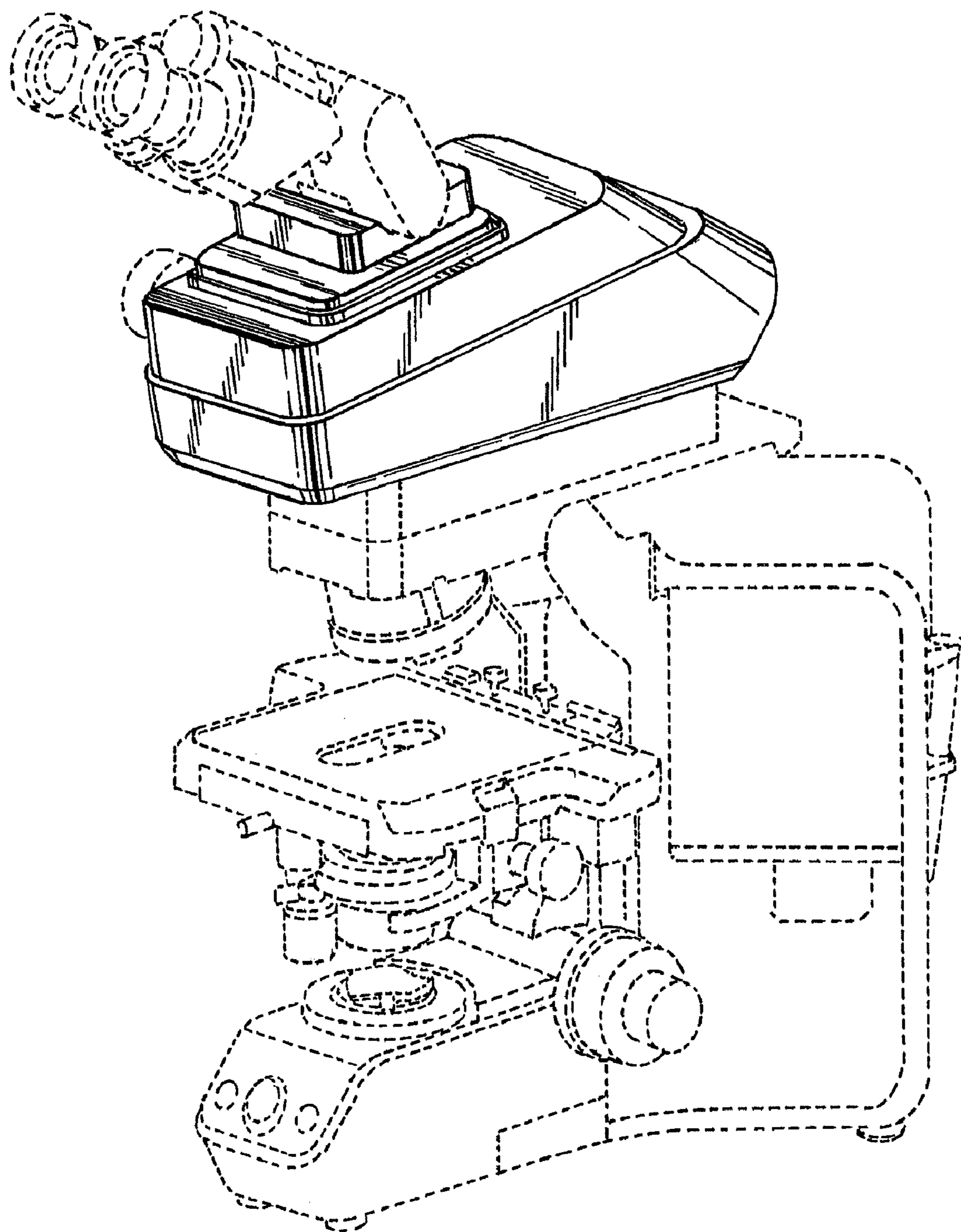


Fig. 1

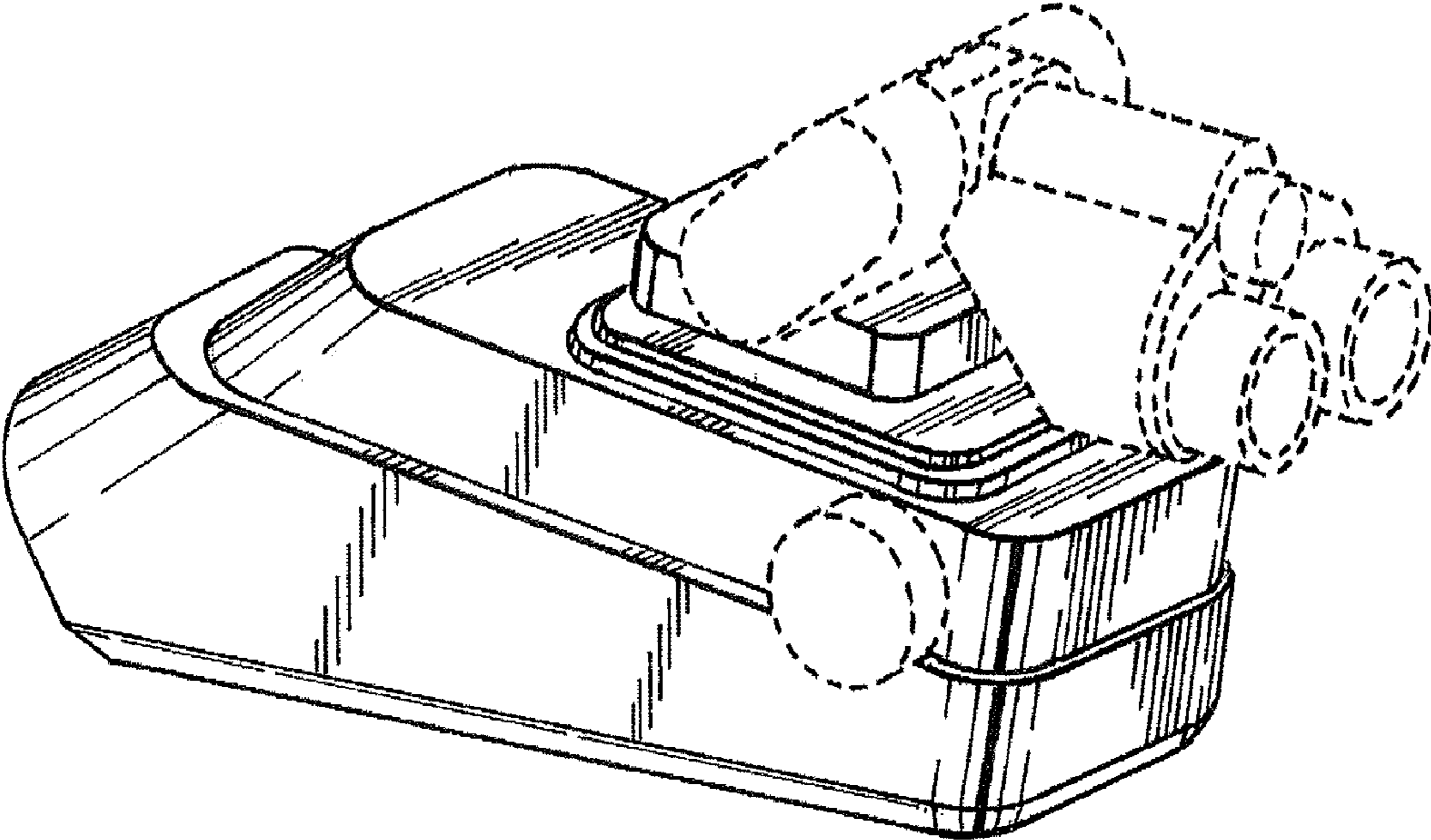


Fig. 2

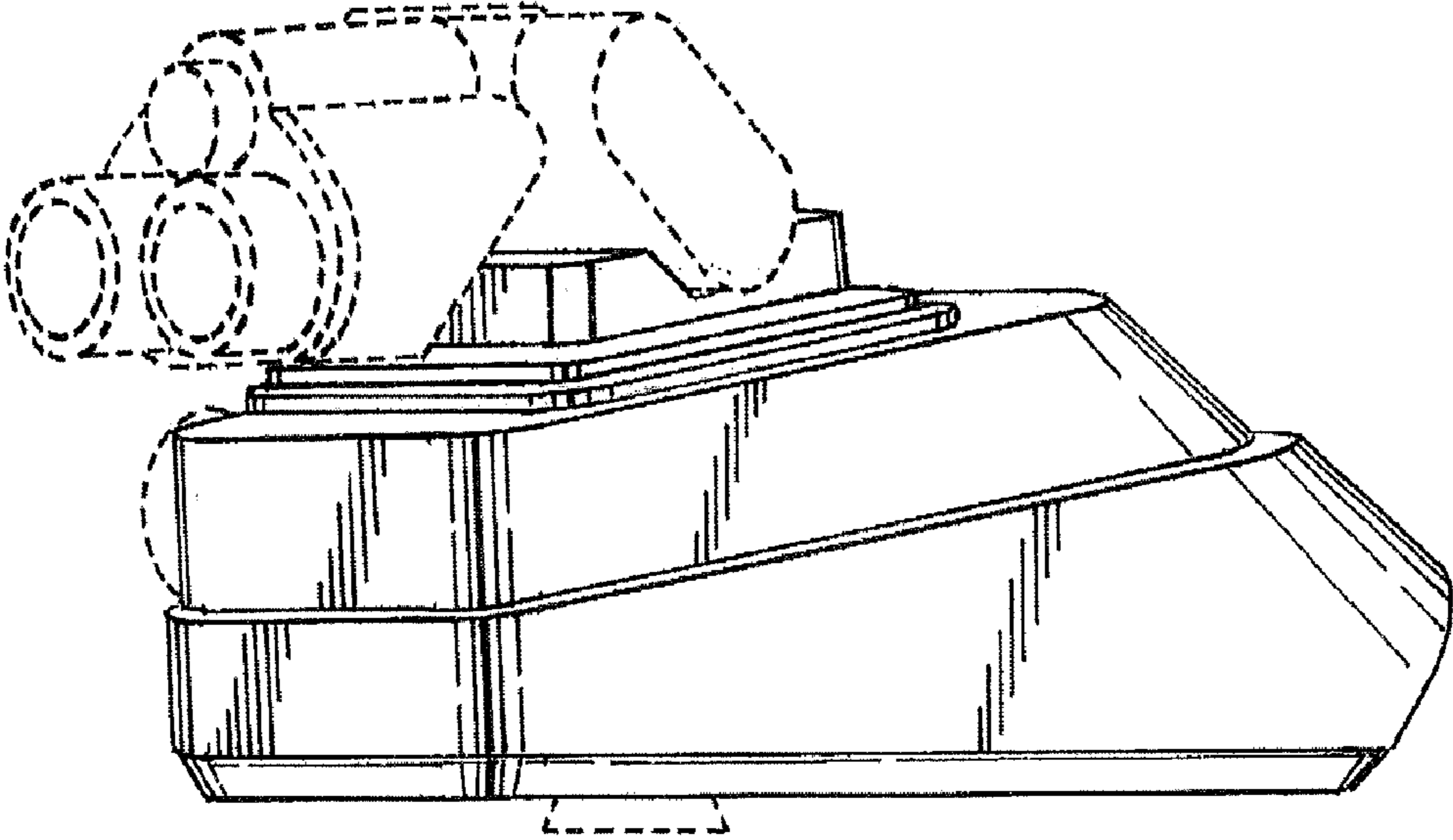


Fig. 3

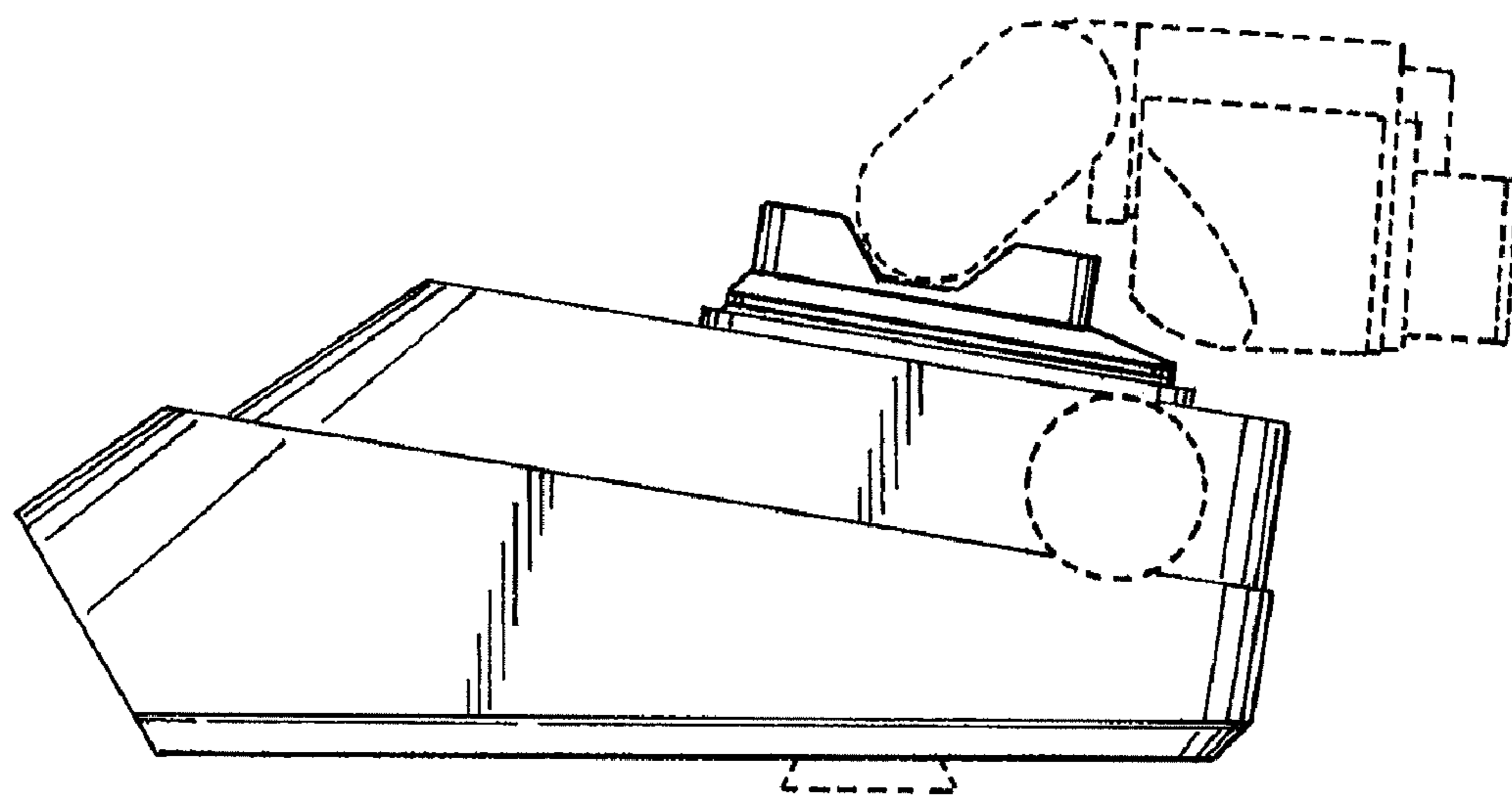


Fig. 4

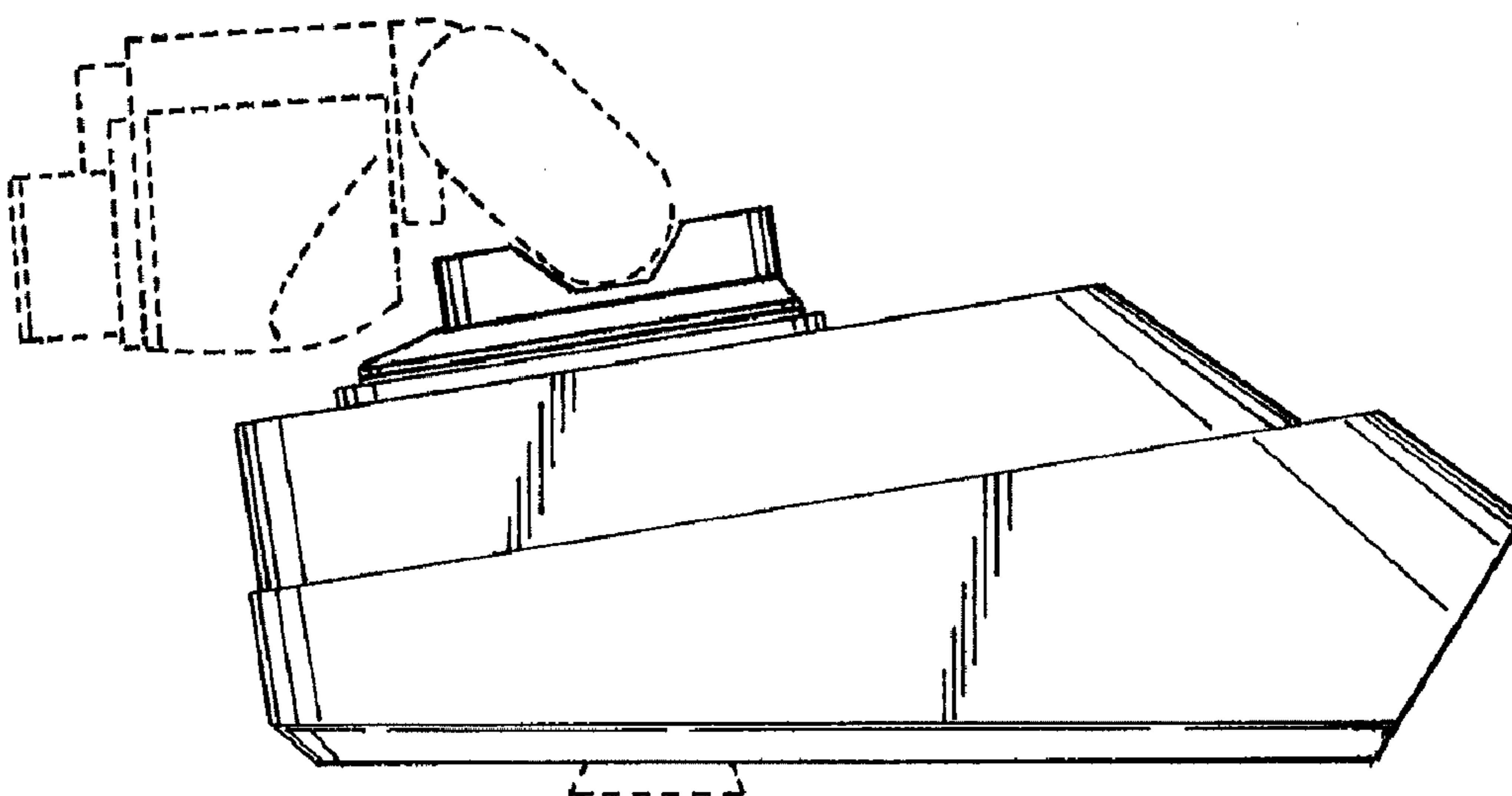


Fig. 5

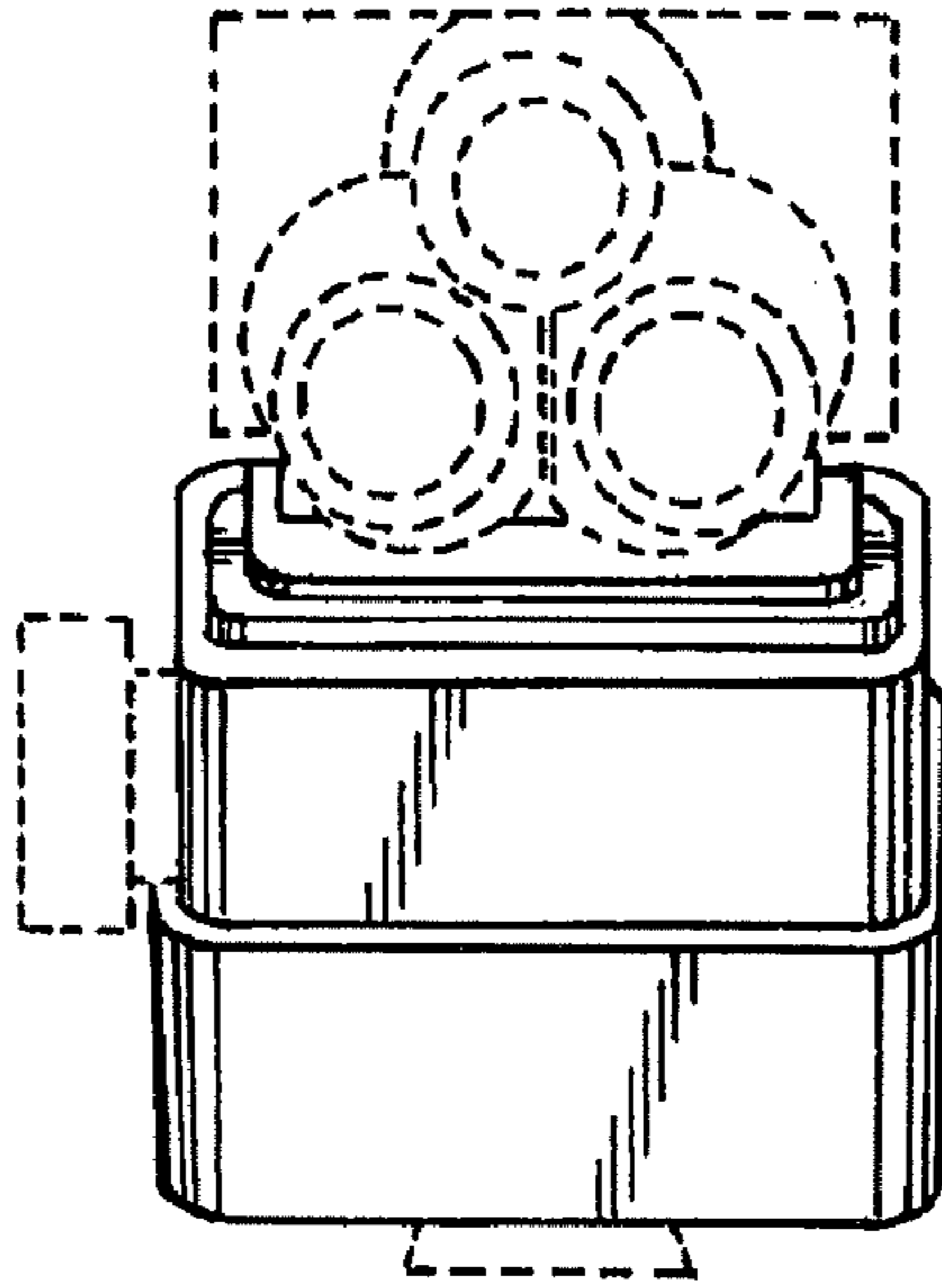


Fig. 6

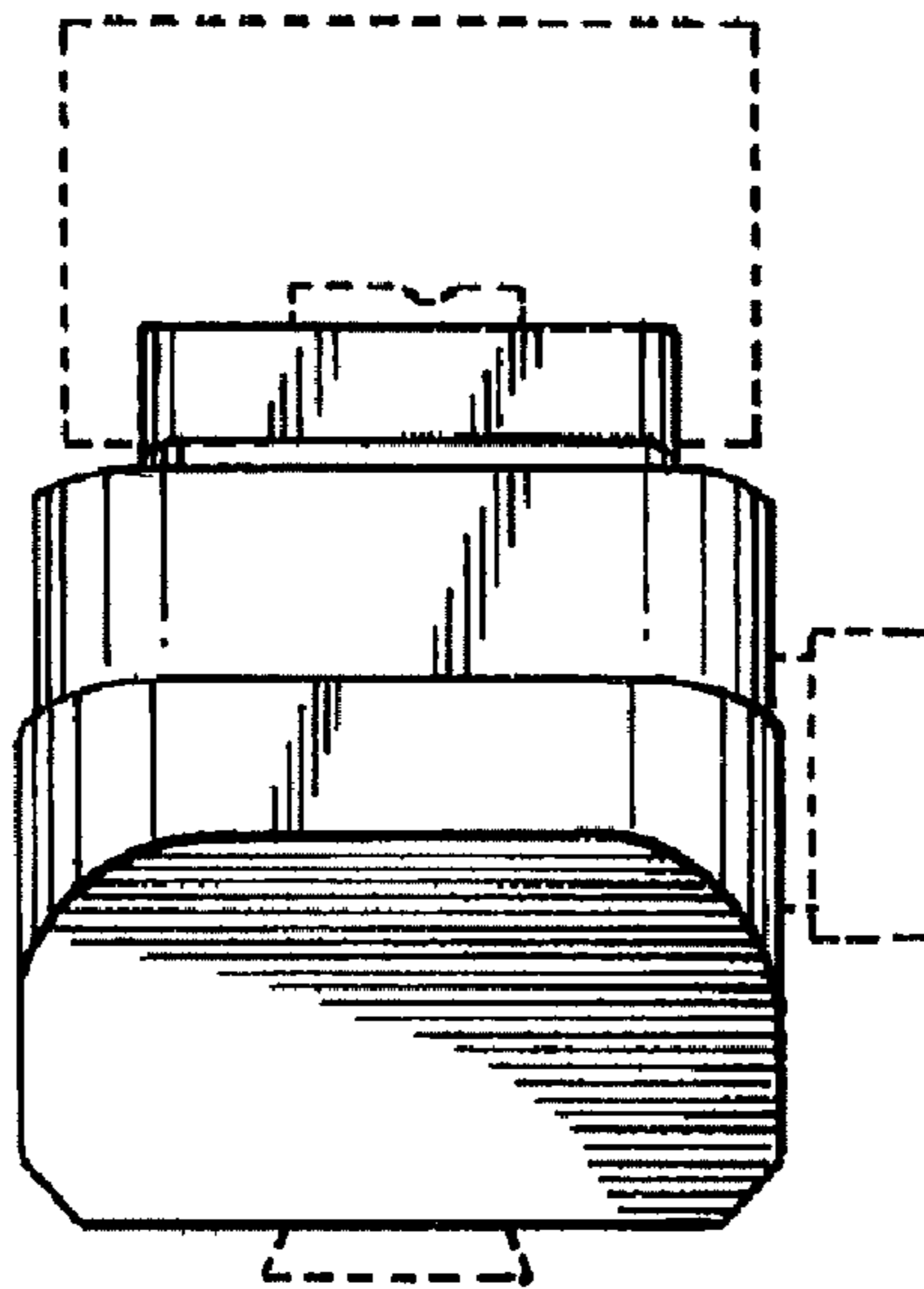


Fig. 7

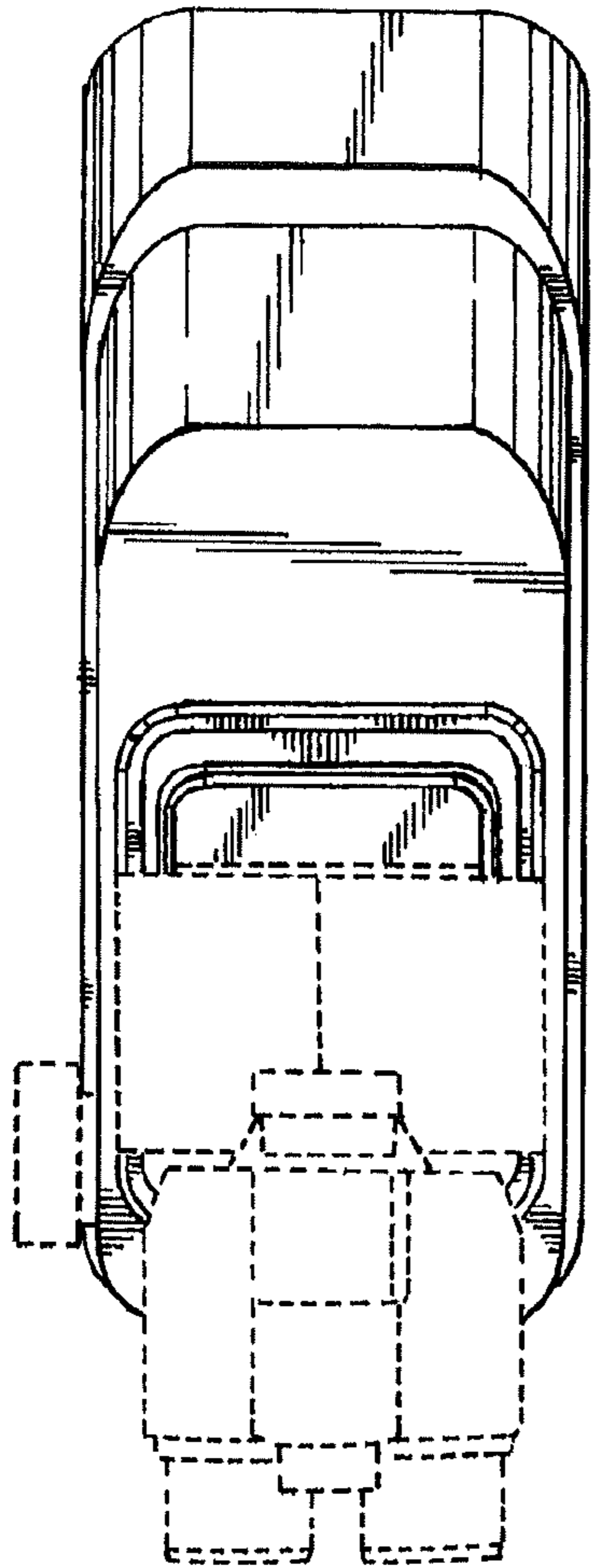


Fig. 8

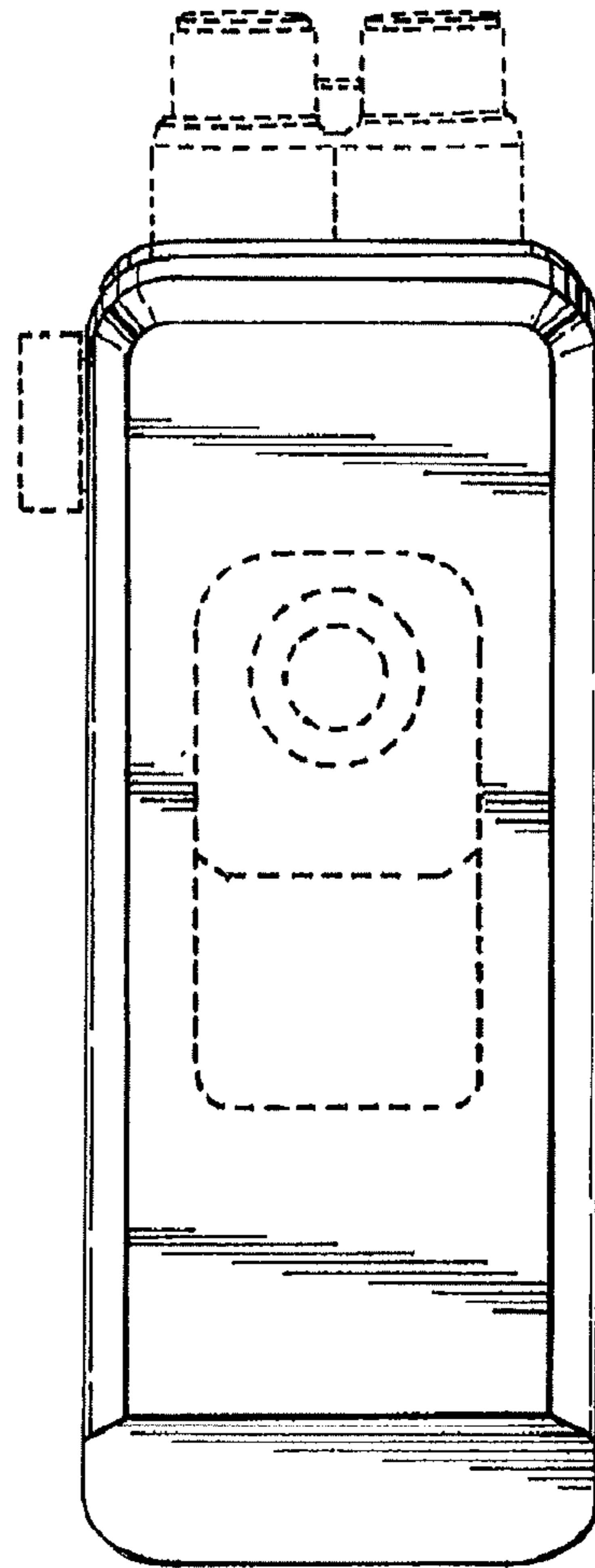


Fig. 9