



US00D646701S

(12) **United States Design Patent**
De Coster et al.

(10) **Patent No.:** **US D646,701 S**

(45) **Date of Patent:** **** Oct. 11, 2011**

(54) **GEL SEALING DEVICE**

(56) **References Cited**

(75) Inventors: **Pieter De Coster**, Bekkevoort (BE);
Ronnie Rosa Georges Liefsoens,
Tessenderlo (BE); **Robert**
Vanhentenrijk, Winksele (BE)

U.S. PATENT DOCUMENTS

6,155,891 A * 12/2000 Daoud 439/888
D445,679 S * 7/2001 Malmberg D9/434
D618,798 S * 6/2010 Olson et al. D24/146

* cited by examiner

(73) Assignee: **Tyco Electronics Raychem BVBA**,
Kessel-Lo (BE)

Primary Examiner — Patricia Palasik

(**) Term: **14 Years**

(74) *Attorney, Agent, or Firm* — Barley Snyder

(21) Appl. No.: **29/376,573**

(57) **CLAIM**

The ornamental design for a gel sealing device, as shown and described.

(22) Filed: **Oct. 8, 2010**

(30) **Foreign Application Priority Data**

DESCRIPTION

Apr. 8, 2010 (EM) 001692047

(51) **LOC (9) Cl.** **15-09**

(52) **U.S. Cl.** **D15/138**

(58) **Field of Classification Search** D8/98;
D9/434, 448, 453; D15/138, 145, 146; D24/143,
D24/144, 146; 24/133; 439/709, 801, 888,
439/936; 606/50

FIG. 1 is a top, front, and side perspective view of a gel sealing device, showing the new design;

FIG. 2 is a bottom, rear and side perspective view thereof;

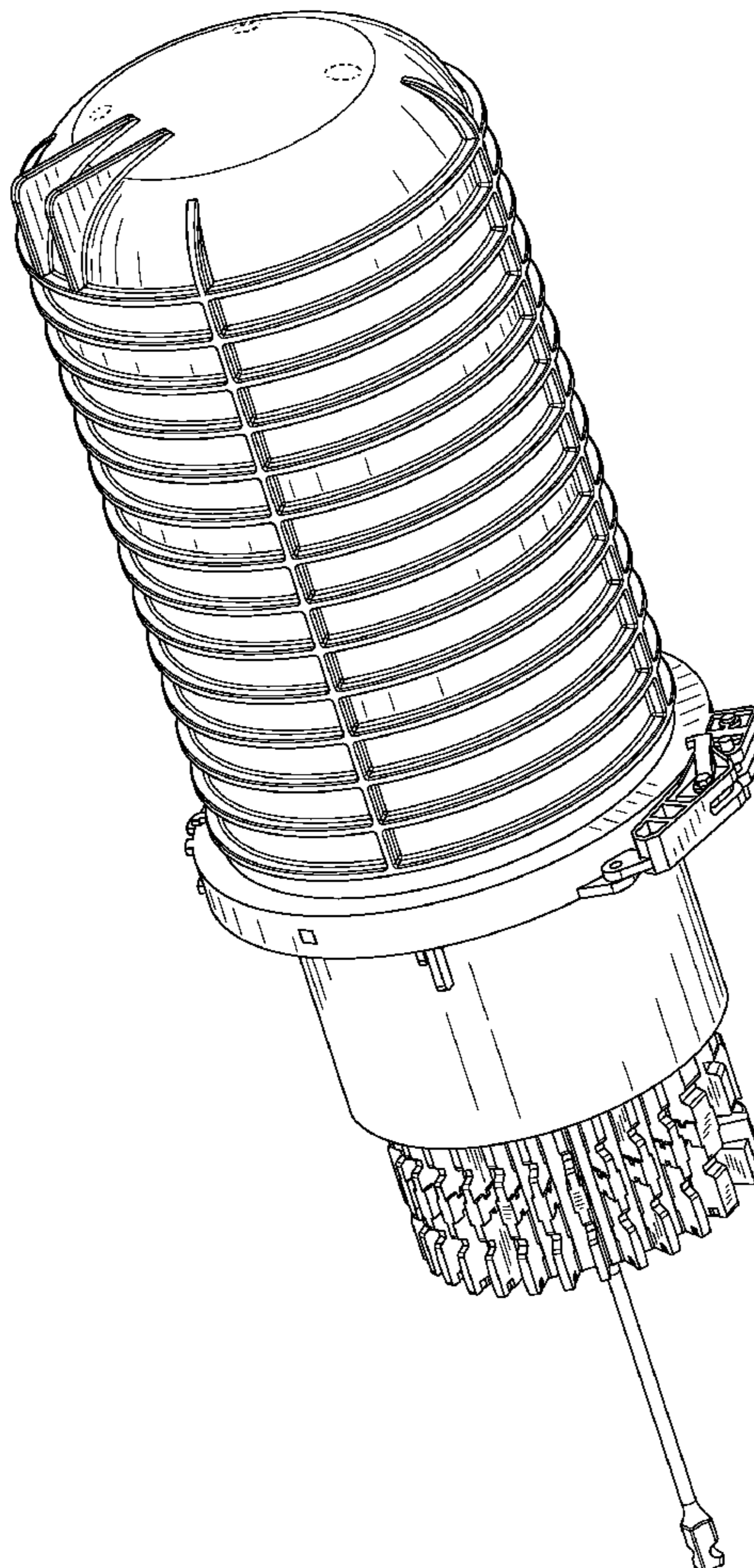
FIG. 3 is a top, front, and side perspective view thereof; and,

FIG. 4 is a bottom, rear, and side perspective view thereof.

The broken lines in the drawings depict unclaimed environmental subject matter.

See application file for complete search history.

1 Claim, 4 Drawing Sheets



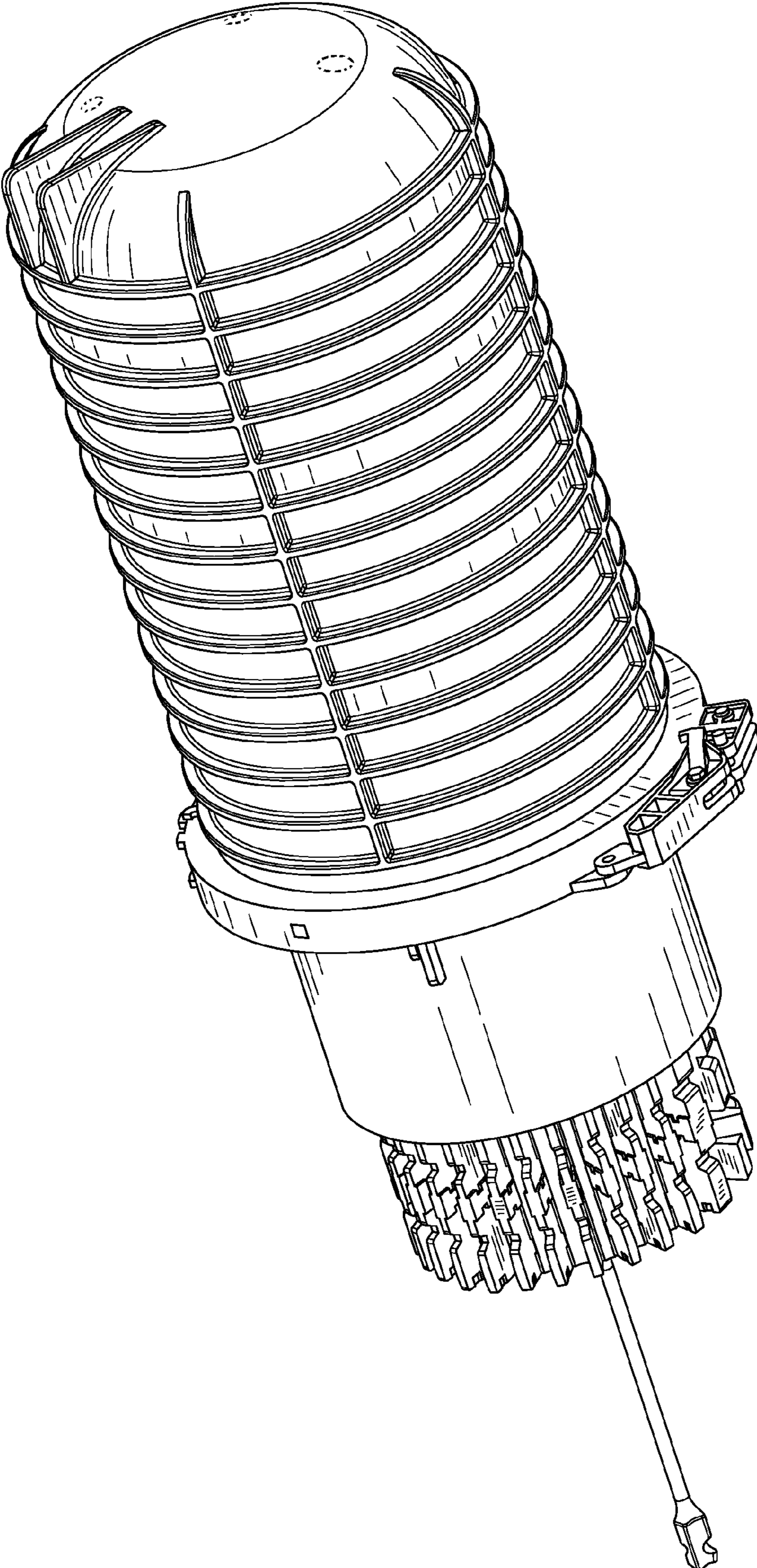


Fig. 1

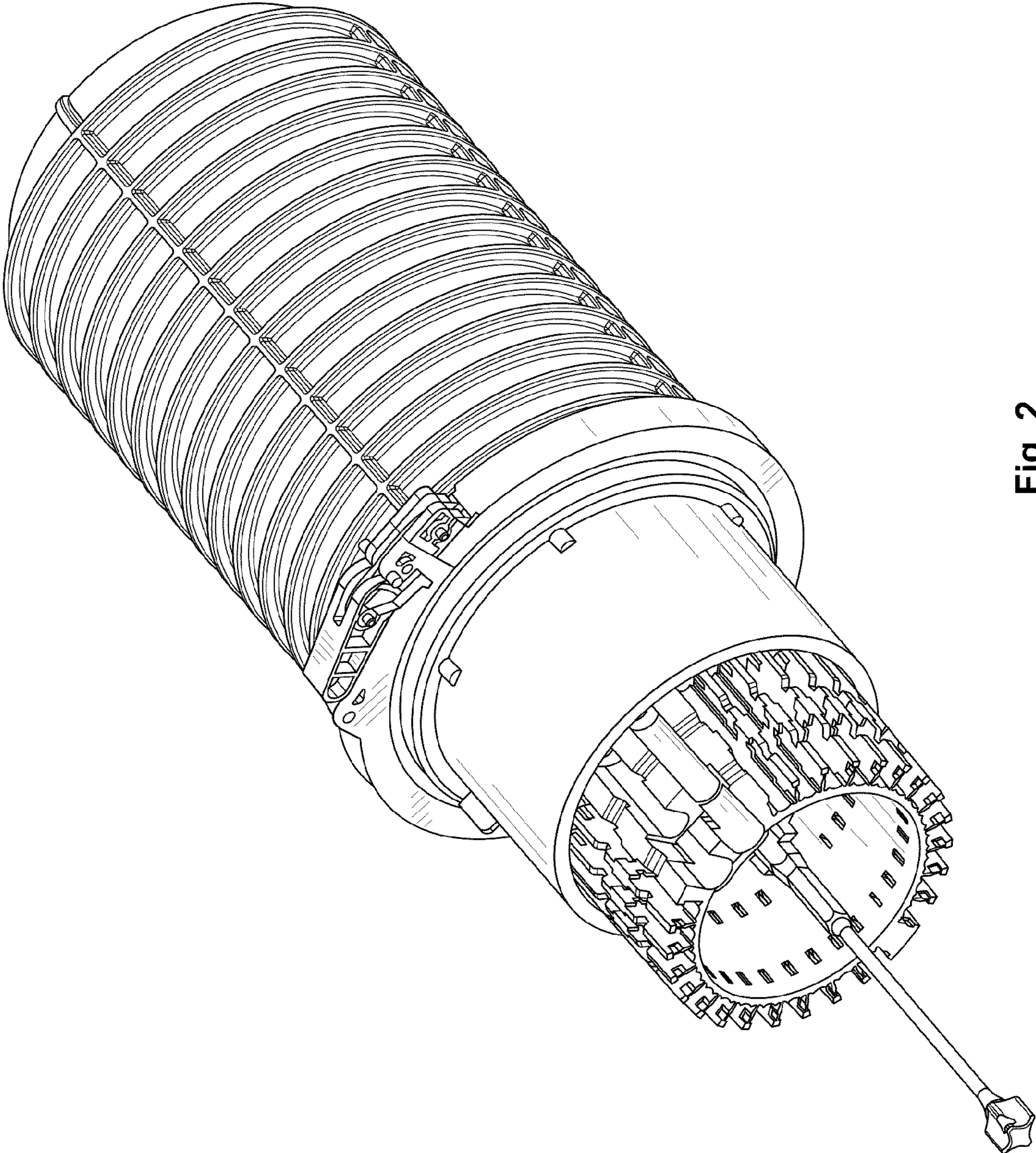


Fig. 2

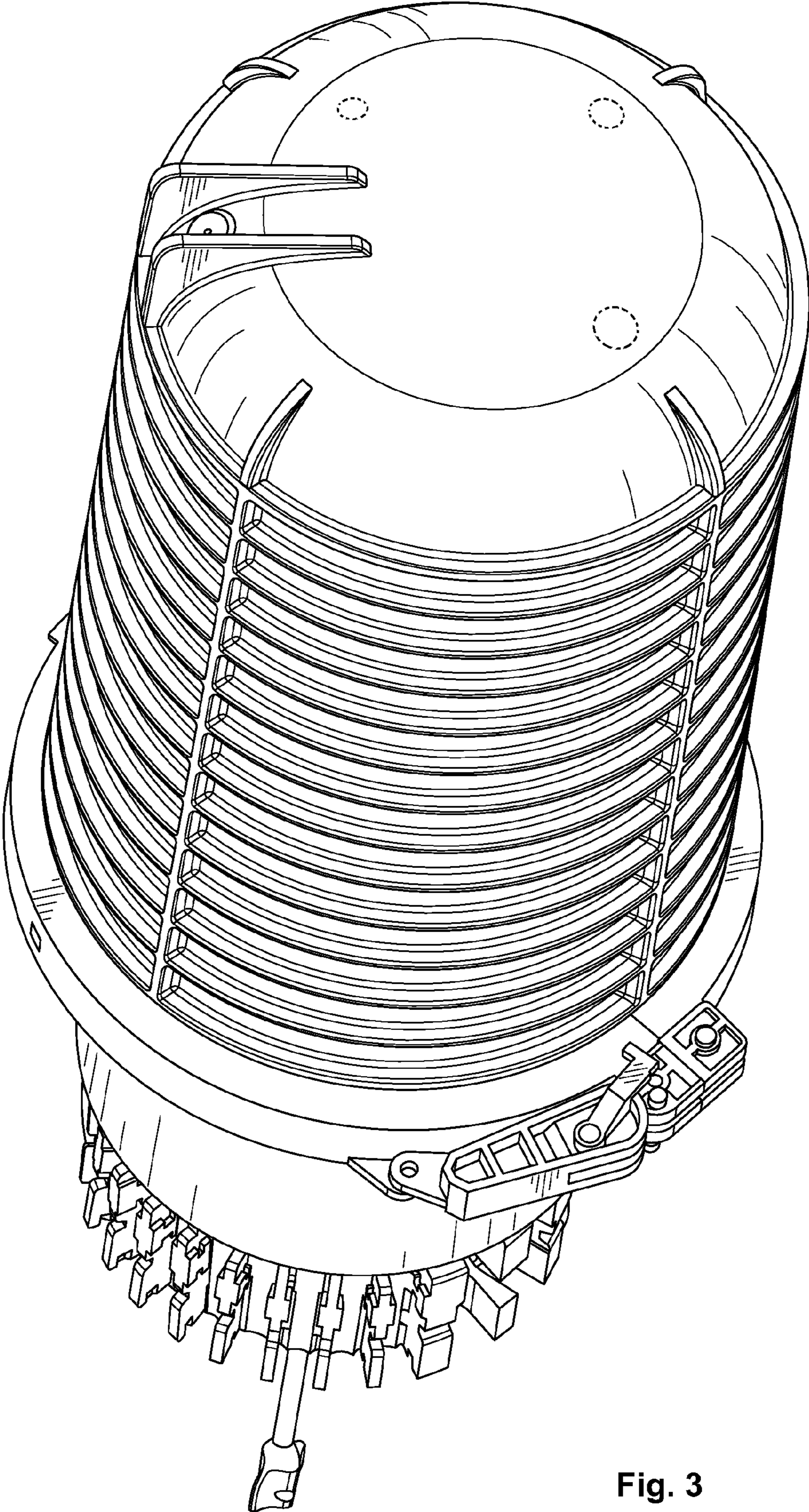


Fig. 3

Fig. 4

