



US00D646700S

(12) **United States Design Patent**
Takeuchi

(10) **Patent No.:** **US D646,700 S**

(45) **Date of Patent:** **** Oct. 11, 2011**

(54) **SCREW FOR INJECTION MOLDING MACHINE**

2001/0010828 A1* 8/2001 Beckmann et al. 425/380
2002/0163099 A1* 11/2002 Hendess 264/209.1
2010/0293993 A1* 11/2010 Rini et al. 62/507

(75) Inventor: **Hiroshi Takeuchi**, Ota-ku (JP)

FOREIGN PATENT DOCUMENTS

(73) Assignee: **Shinko Sellbic Co., Ltd.**, Tokyo (JP)

JP 2005-306028 11/2005
JP D1256298 11/2005
JP 2010-52264 3/2010
WO 2007/034549 3/2007
WO 2007/119533 10/2007

(**) Term: **14 Years**

* cited by examiner

(21) Appl. No.: **29/387,010**

(22) Filed: **Mar. 8, 2011**

Primary Examiner — Patricia Palasik

(30) **Foreign Application Priority Data**

(74) *Attorney, Agent, or Firm* — Wenderoth, Lind & Ponack, L.L.P.

Sep. 17, 2010 (JP) 2010-22529

(51) **LOC (9) Cl.** **15-09**

(52) **U.S. Cl.** **D15/135**

(58) **Field of Classification Search** D15/135,
D15/136, 138; 264/209.1; 425/380, 462,
425/467

(57) **CLAIM**

The ornamental design for a screw for injection molding machine, as shown and described.

See application file for complete search history.

DESCRIPTION

(56) **References Cited**

FIG. 1 is a perspective view of a screw for injection molding machine, showing my new design;
FIG. 2 is a front view thereof;
FIG. 3 is a rear view thereof;
FIG. 4 is a top plan view thereof;
FIG. 5 is a bottom plan view thereof;
FIG. 6 is a right side view thereof;
FIG. 7 is a left side view thereof; and,
FIG. 8 is a view thereof showing a cross-section taken along line 8-8 of FIG. 2.

U.S. PATENT DOCUMENTS

6,077,062 A * 6/2000 Guillemette et al. 425/113
6,638,463 B2 * 10/2003 Davidson et al. 264/171.26
6,638,464 B2 * 10/2003 Davidson et al. 264/171.26
6,866,498 B2 * 3/2005 Sagar et al. 425/380
6,902,385 B2 * 6/2005 Castillo 425/133.1
D548,250 S * 8/2007 Baumeister et al. D15/199

1 Claim, 5 Drawing Sheets

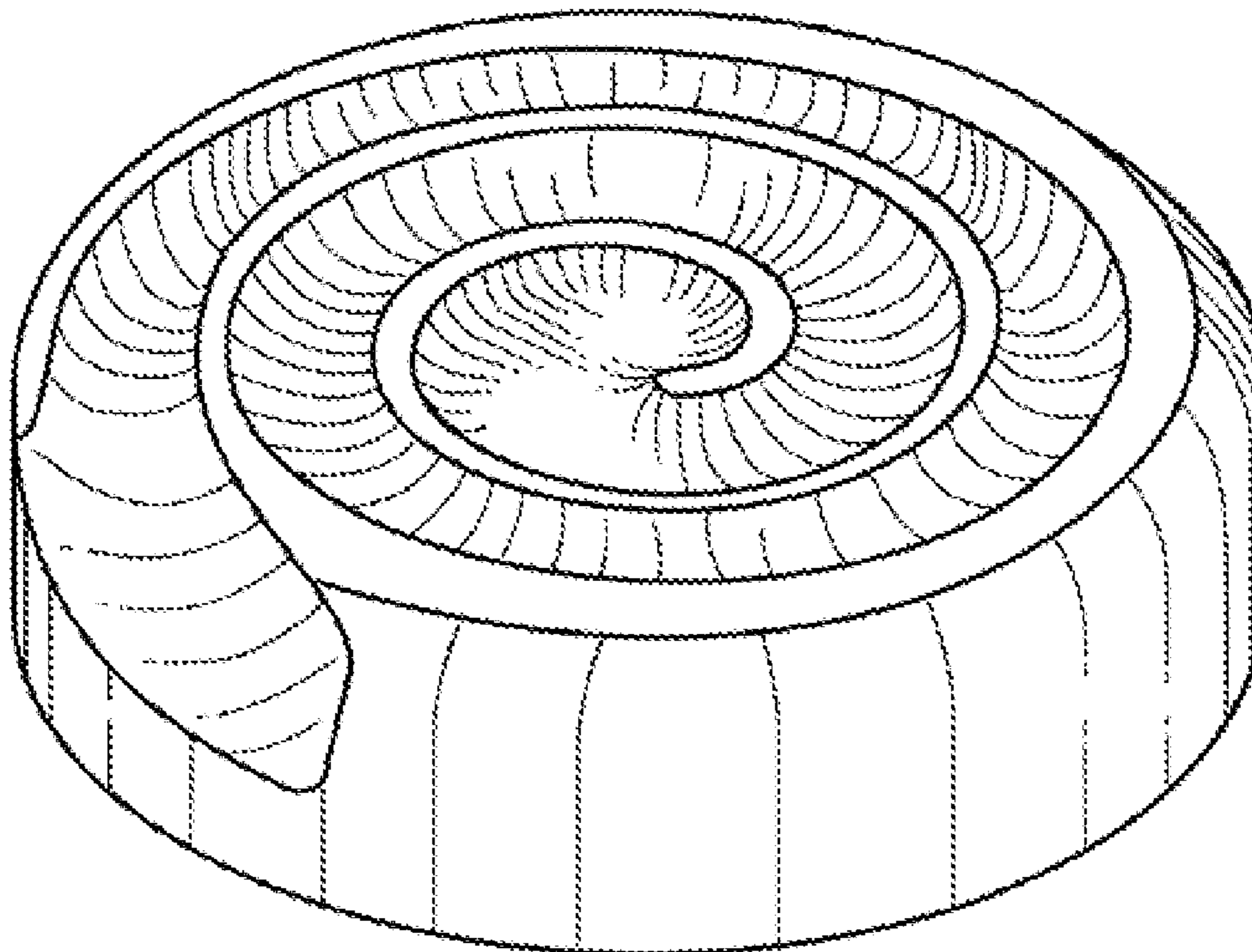


FIG.1

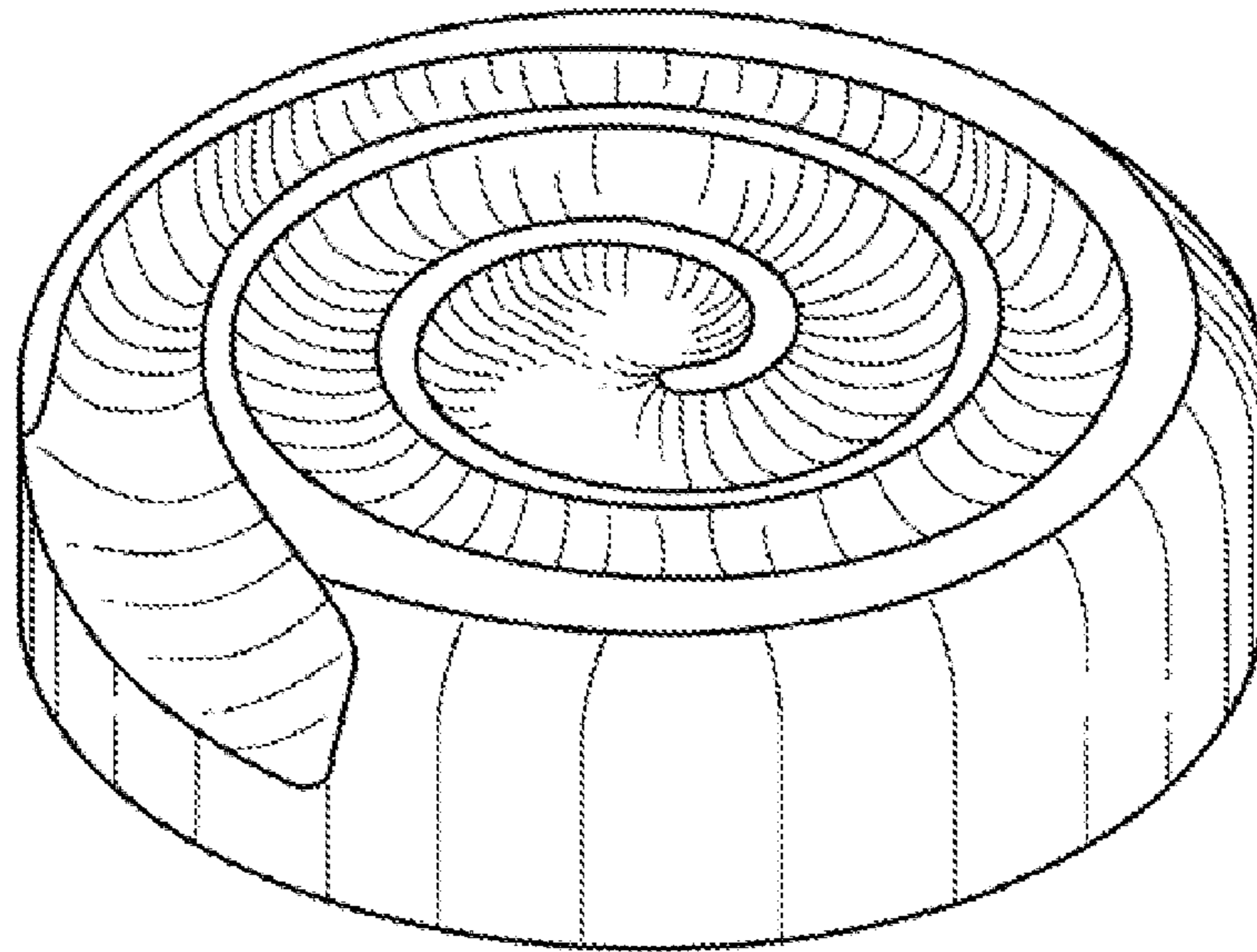


FIG.2

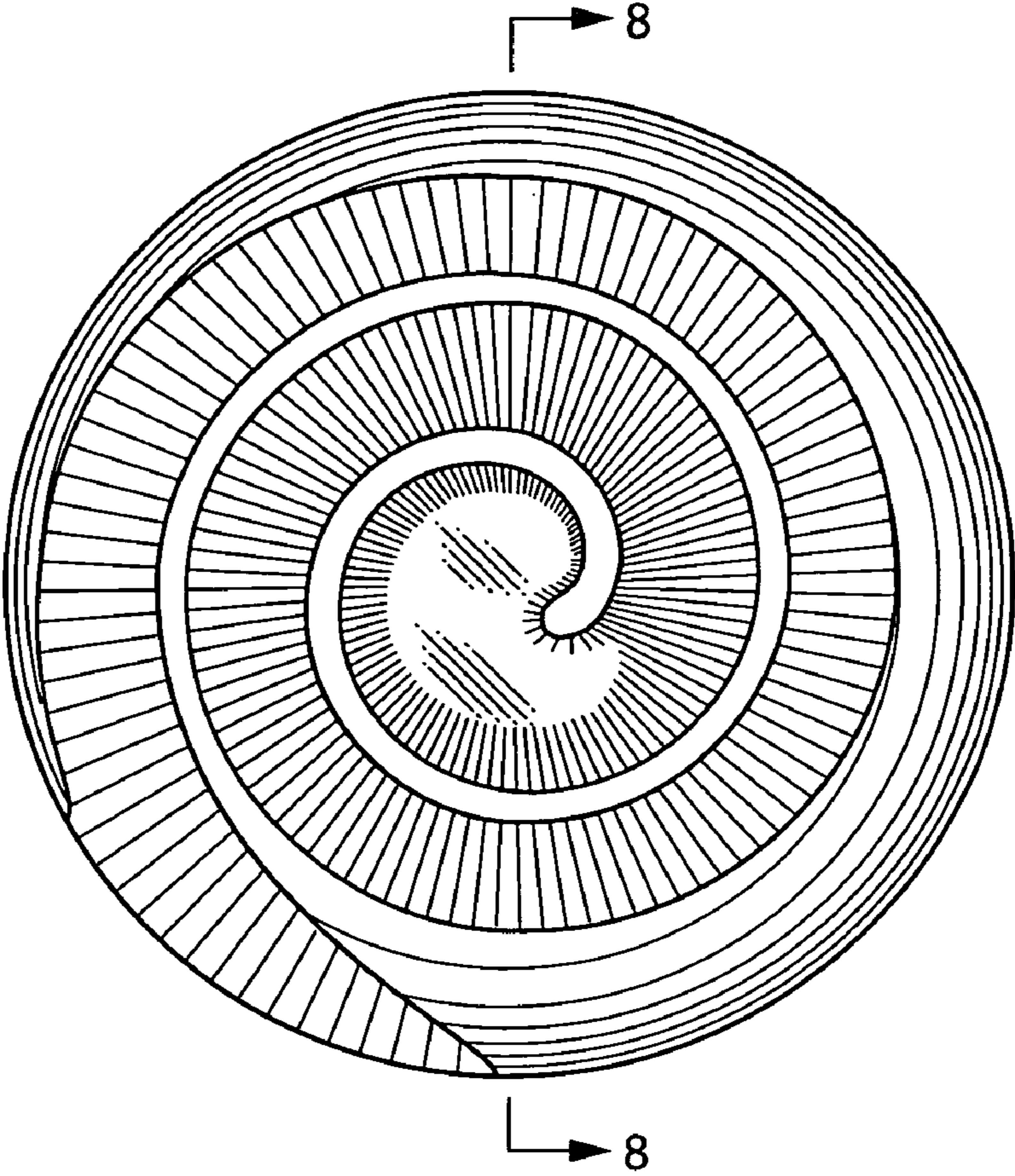


FIG.3

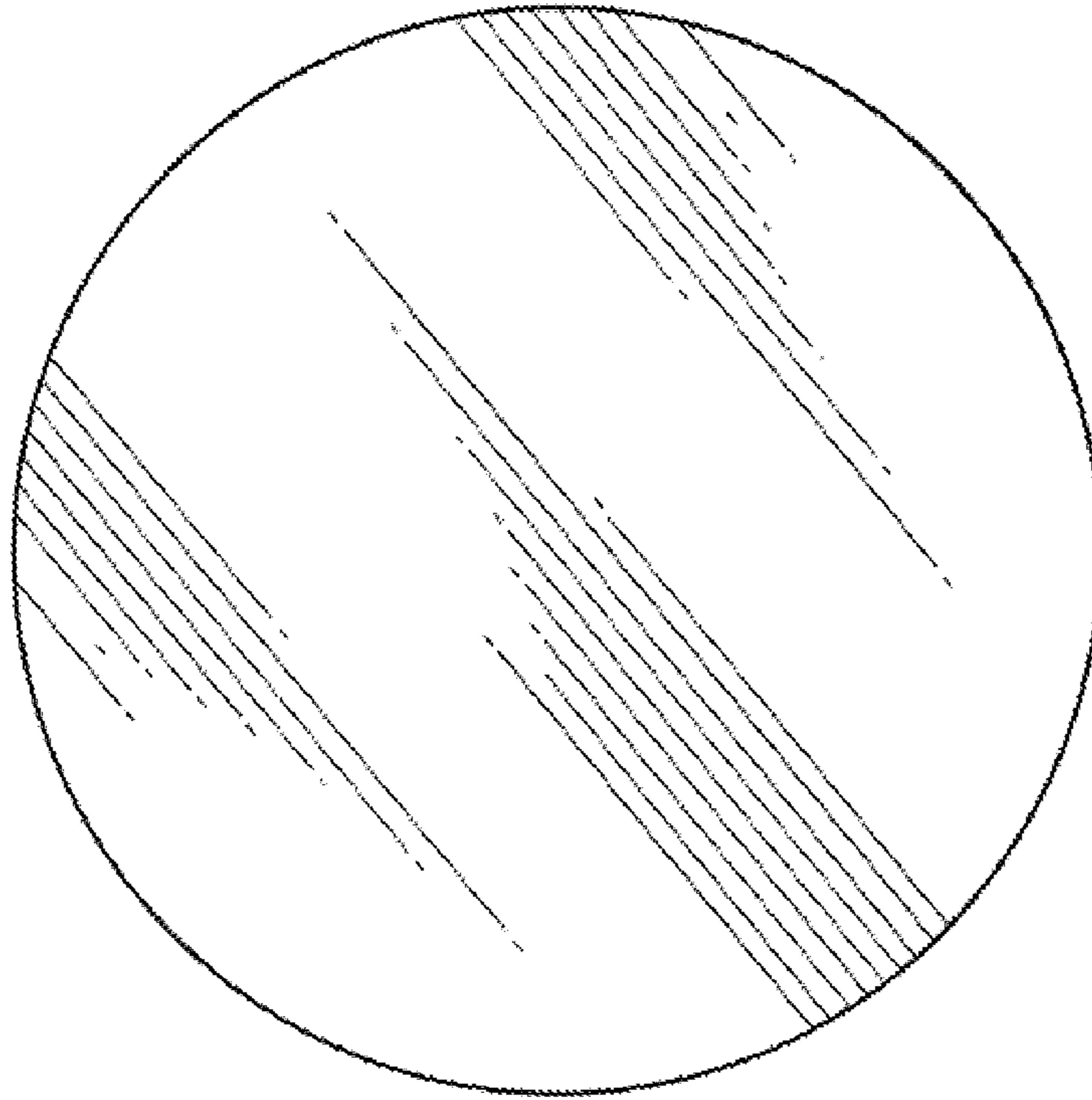


FIG.4



FIG.5

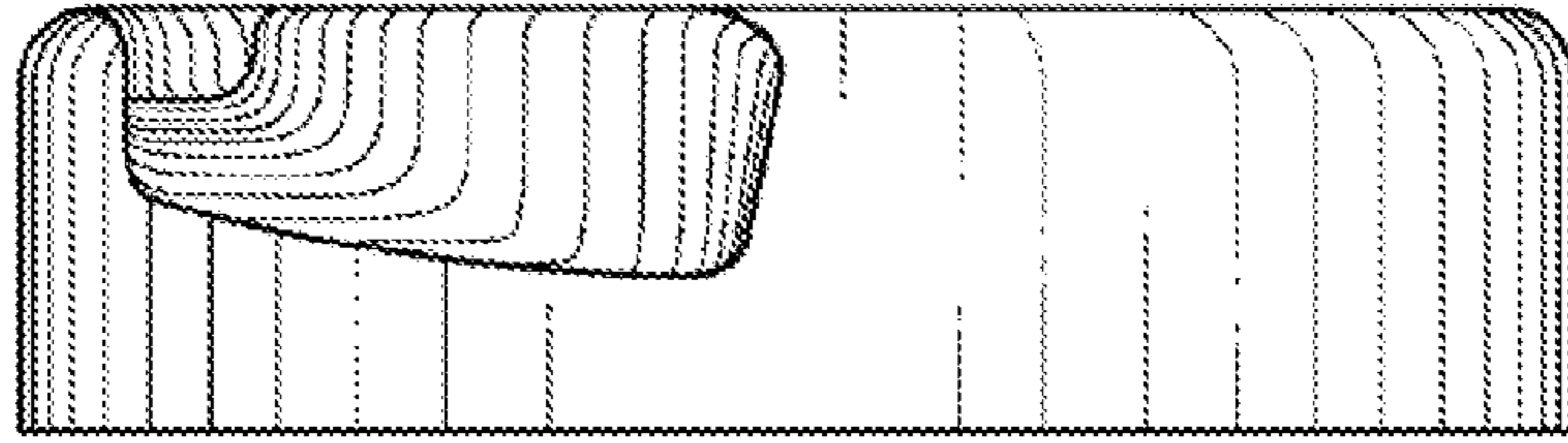


FIG.6

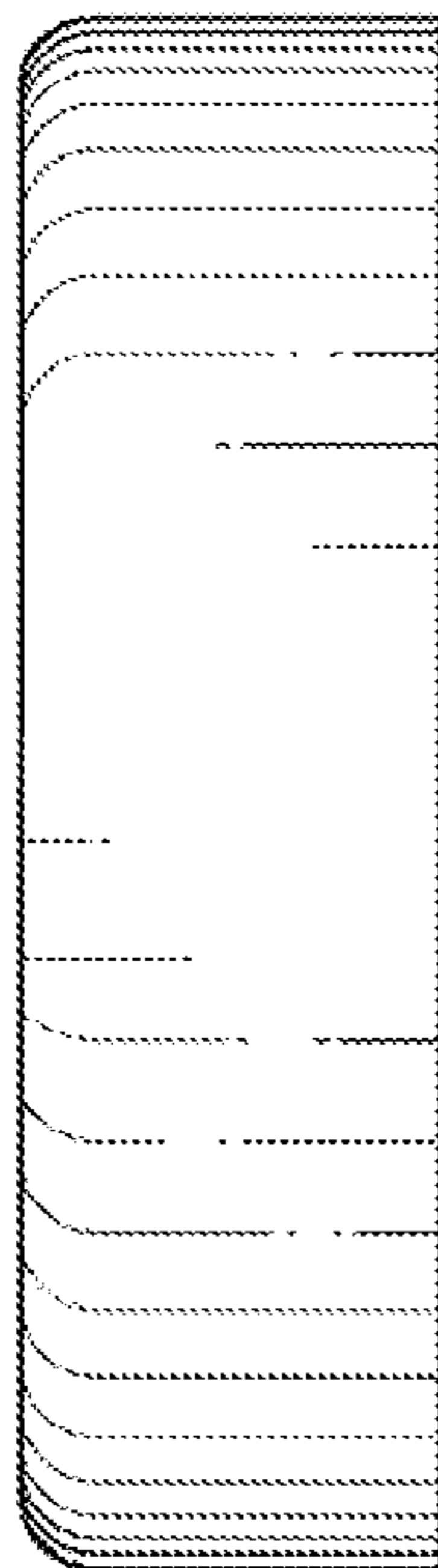


FIG.7

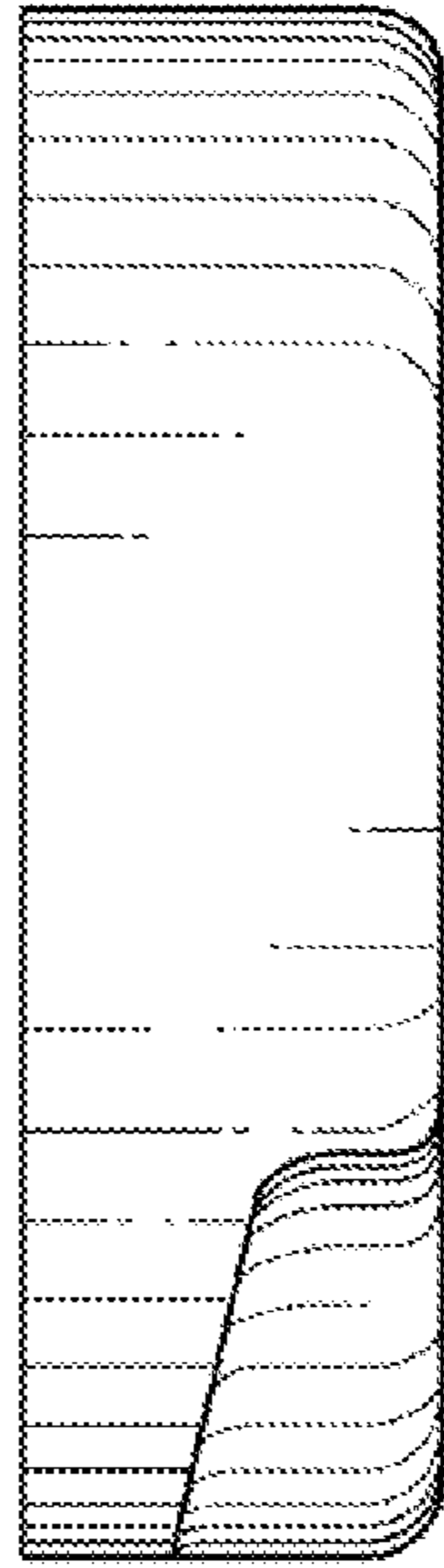


FIG.8

