



US00D646699S

(12) **United States Design Patent**
Knobloch et al.

(10) **Patent No.:** **US D646,699 S**

(45) **Date of Patent:** **** Oct. 11, 2011**

(54) **FRAME FOR AGRICULTURAL IMPLEMENT**

(75) Inventors: **Dean A. Knobloch**, Goodfield, IL (US);
Michael C. Hatton, Washington, IL (US)

(73) Assignee: **CNH America LLC**, New Holland, PA (US)

(**) Term: **14 Years**

(21) Appl. No.: **29/388,564**

(22) Filed: **Mar. 30, 2011**

(51) **LOC (9) Cl.** **15-03**

(52) **U.S. Cl.** **D15/27**

(58) **Field of Classification Search** D15/10,
D15/11, 27, 28, 29, 33; 172/579, 311, 568,
172/612, 468, 637, 662, 684.5, 689, 551,
172/576, 595, 455, 518, 527, 567, 586, 142,
172/152, 154, 178, 181, 196, 442, 440, 441,
172/314, 548, 454, 583, 140, 776, 22, 145-147,
172/175, 669, 68

See application file for complete search history.

(56) **References Cited**

U.S. PATENT DOCUMENTS

D205,234	S *	7/1966	Dreyfuss et al.	D15/27
3,297,097	A *	1/1967	Pryor	172/595
3,606,848	A	9/1971	Dobbs et al.		
3,799,079	A	3/1974	Dietrich		
3,967,564	A	7/1976	Emling		
4,044,842	A *	8/1977	Worick	172/314
D267,320	S *	12/1982	Symonds	D15/11
4,466,364	A	8/1984	Hassenfritz		
4,574,715	A	3/1986	Dietrich, Sr. et al.		
D306,598	S *	3/1990	Swartzendruber et al.	D15/11
5,161,622	A *	11/1992	Godbersen	172/140
5,207,279	A *	5/1993	Nelson et al.	172/140
5,535,832	A *	7/1996	Benoit	172/195
5,787,994	A	8/1998	Friesen		
5,881,820	A *	3/1999	Baker	172/455
6,408,772	B1	6/2002	Lempriere		
6,557,646	B1 *	5/2003	Hurtis et al.	172/156

6,578,642	B2 *	6/2003	Cox et al.	172/624.5
6,679,339	B1 *	1/2004	Steinlage et al.	172/395
6,698,525	B2 *	3/2004	McFarlane	172/145
6,761,120	B2	7/2004	Kovach et al.		
7,152,539	B2	12/2006	Swanson		
7,568,439	B2	8/2009	Steinlage et al.		
D615,562	S *	5/2010	Kelly et al.	D15/27
D623,669	S *	9/2010	Kromminga et al.	D15/27
7,806,061	B2	10/2010	Memory		
2006/0021768	A1	2/2006	Ankenman		
2009/0133888	A1 *	5/2009	Kovach et al.	172/68

FOREIGN PATENT DOCUMENTS

DE 3511108 A1 10/1986

OTHER PUBLICATIONS

Abstract of DE 3511108 (A1); Inventor(s)/Applicant—Ahuis Hendrikus—(1 page).

* cited by examiner

Primary Examiner — Mark Goodwin

(74) *Attorney, Agent, or Firm* — Rebecca Henkel

(57) **CLAIM**

The ornamental design for a frame for agricultural implement, as shown and described.

DESCRIPTION

FIG. 1 is an isometric view of a frame for agricultural implement showing our new design;

FIG. 2 is a top plan view of the frame for agricultural implement of FIG. 1;

FIG. 3 is a front elevation view of the frame for agricultural implement of FIG. 1;

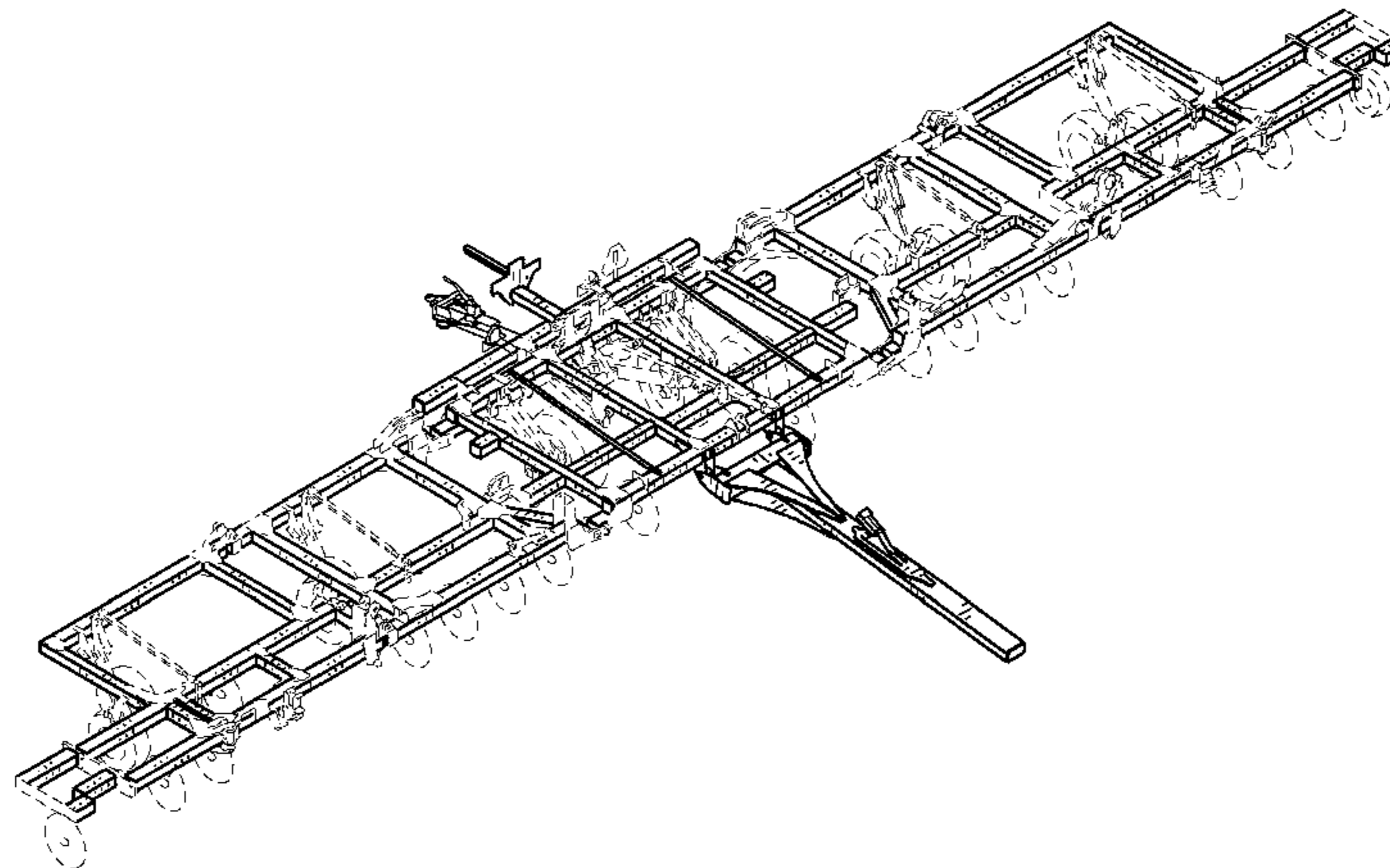
FIG. 4 is a side elevation view of the frame for agricultural implement of FIG. 1;

FIG. 5 is a rear elevation view of the frame for agricultural implement of FIG. 1; and,

FIG. 6 is a bottom plan view of the frame for agricultural implement of FIG. 1.

The broken lines contained in any of the drawings form no part of the claimed design.

1 Claim, 6 Drawing Sheets



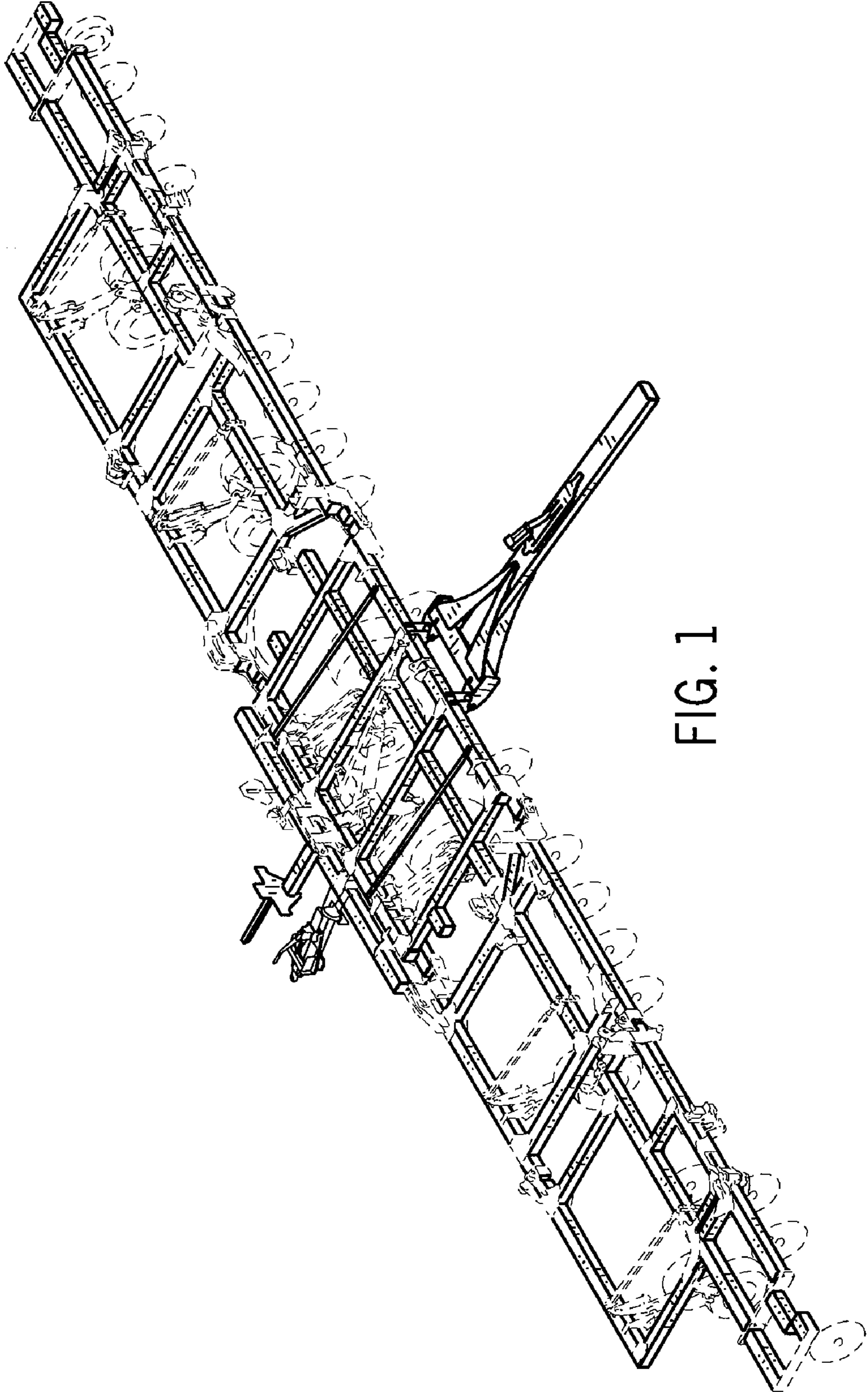


FIG. 1

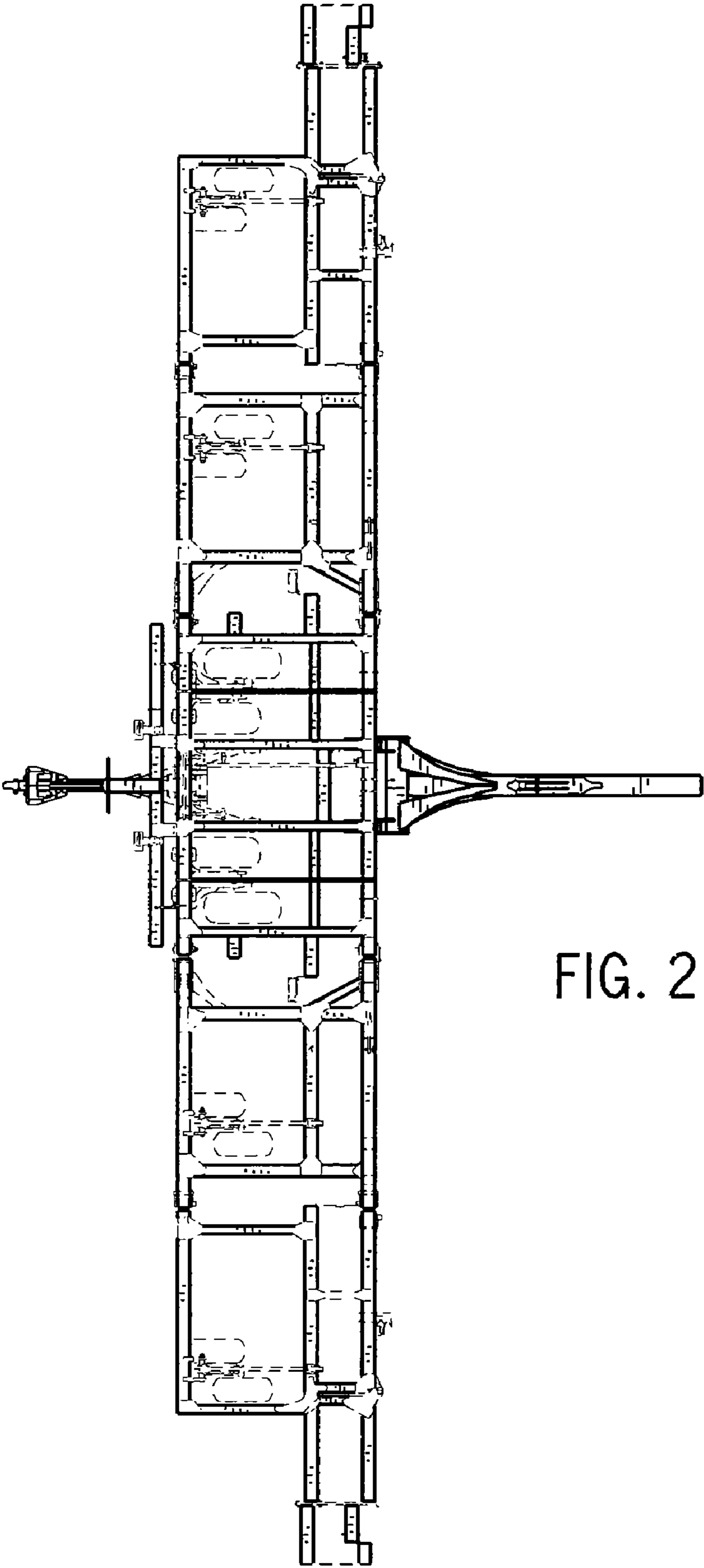


FIG. 2

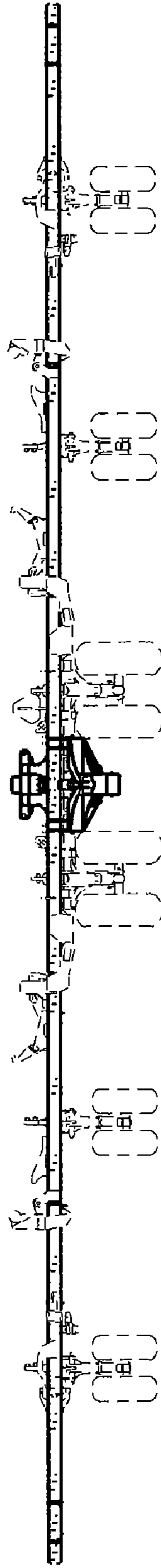


FIG. 3

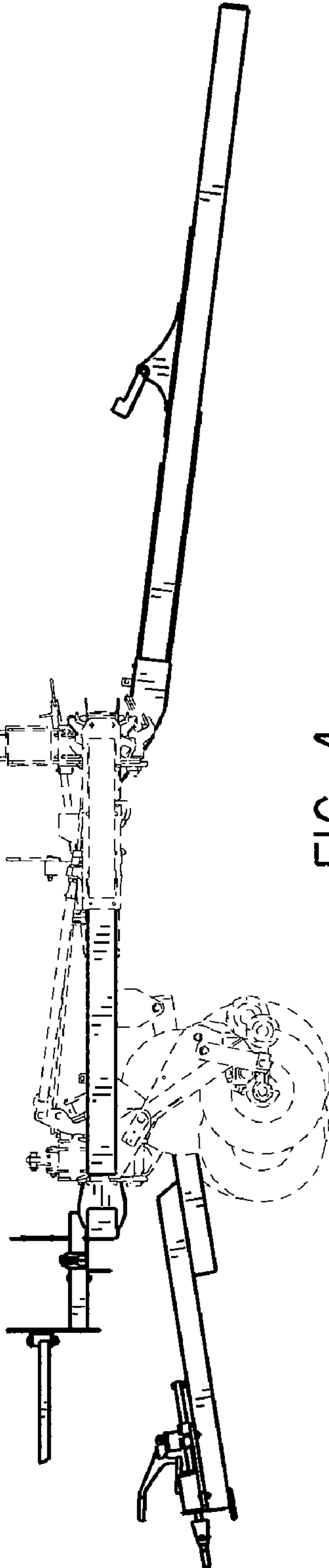


FIG. 4

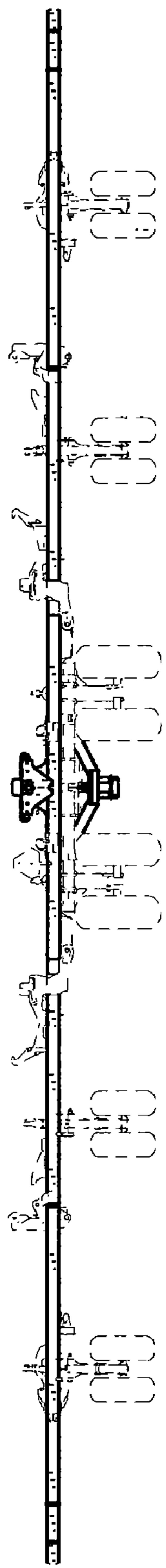


FIG. 5

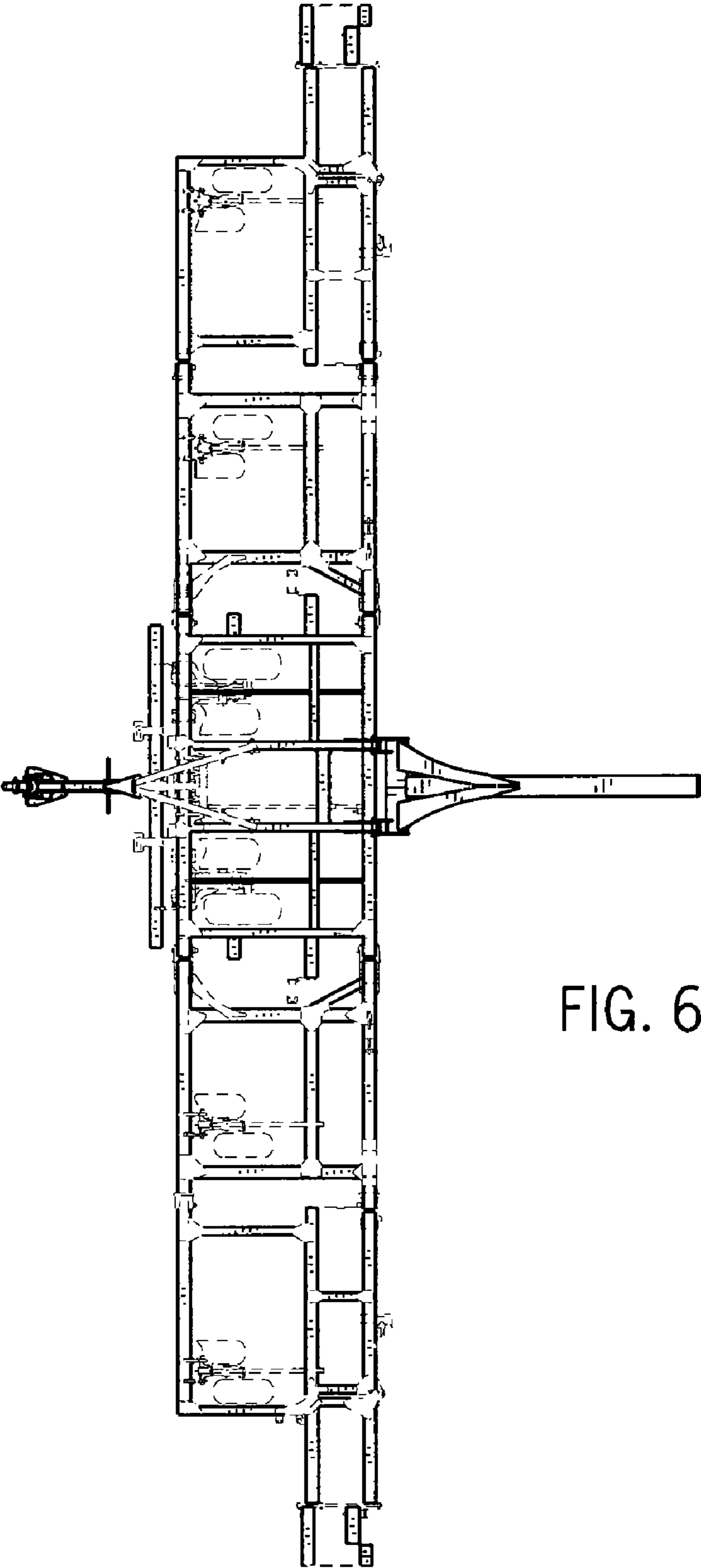


FIG. 6