



US00D646698S

(12) **United States Design Patent**  
**Park**

(10) **Patent No.:** **US D646,698 S**

(45) **Date of Patent:** **\*\* Oct. 11, 2011**

(54) **LAWN MOWER**

(75) Inventor: **Keith Park**, Ellerton (GB)

(73) Assignee: **Chervon Limited**, Wanchai (HK)

(\*\*) Term: **14 Years**

(21) Appl. No.: **29/386,635**

(22) Filed: **Mar. 3, 2011**

(30) **Foreign Application Priority Data**

Sep. 4, 2010 (CN) ..... 2010 30 513849

(51) **LOC (9) Cl.** ..... **15-03**

(52) **U.S. Cl.** ..... **D15/14**

(58) **Field of Classification Search** ..... D15/10,  
D15/14-16; 56/11.9, 16.7, 17.1, 17.4, 17.5,  
56/202, 254, 255, 320.1, 320.2, 294, 295,  
56/12.8, 13.4, 11.4

See application file for complete search history.

(56) **References Cited**

**U.S. PATENT DOCUMENTS**

D346,810	S	*	5/1994	Schulz et al.	.....	D15/14
D390,576	S	*	2/1998	Shimamura	.....	D15/14
5,910,091	A	*	6/1999	Iida et al.	.....	56/16.7
D419,163	S	*	1/2000	Sirois et al.	.....	D15/14
D421,265	S	*	2/2000	Ohsumi et al.	.....	D15/14
D424,070	S	*	5/2000	Danthois	.....	D15/14
D426,836	S	*	6/2000	Sirois et al.	.....	D15/14
D456,030	S	*	4/2002	Maeda	.....	D15/14

D508,924	S	*	8/2005	Henssler et al.	.....	D15/14
D544,501	S	*	6/2007	Chung Lee	.....	D15/14
D581,951	S	*	12/2008	Bochmann et al.	.....	D15/14
D605,667	S	*	12/2009	Peterson et al.	.....	D15/14
D620,029	S	*	7/2010	Baetica	.....	D15/14
D620,030	S	*	7/2010	Baetica	.....	D15/14
D622,291	S	*	8/2010	Martin et al.	.....	D15/14
D626,971	S	*	11/2010	Funk et al.	.....	D15/14
D627,371	S	*	11/2010	Baetica	.....	D15/14
D627,372	S	*	11/2010	Baetica	.....	D15/14
D628,598	S	*	12/2010	Neeley et al.	.....	D15/14

\* cited by examiner

*Primary Examiner* — Mark Goodwin

(74) *Attorney, Agent, or Firm* — McDermott Will & Emery LLP

(57) **CLAIM**

I claim the ornamental design for a lawn mower, as shown and described:

**DESCRIPTION**

FIG. 1 is a left side view of a lawn mower according to the new design.

FIG. 2 is a right side view of the lawn mower shown in FIG. 1.

FIG. 3 is a rear view of the lawn mower shown in FIG. 1.

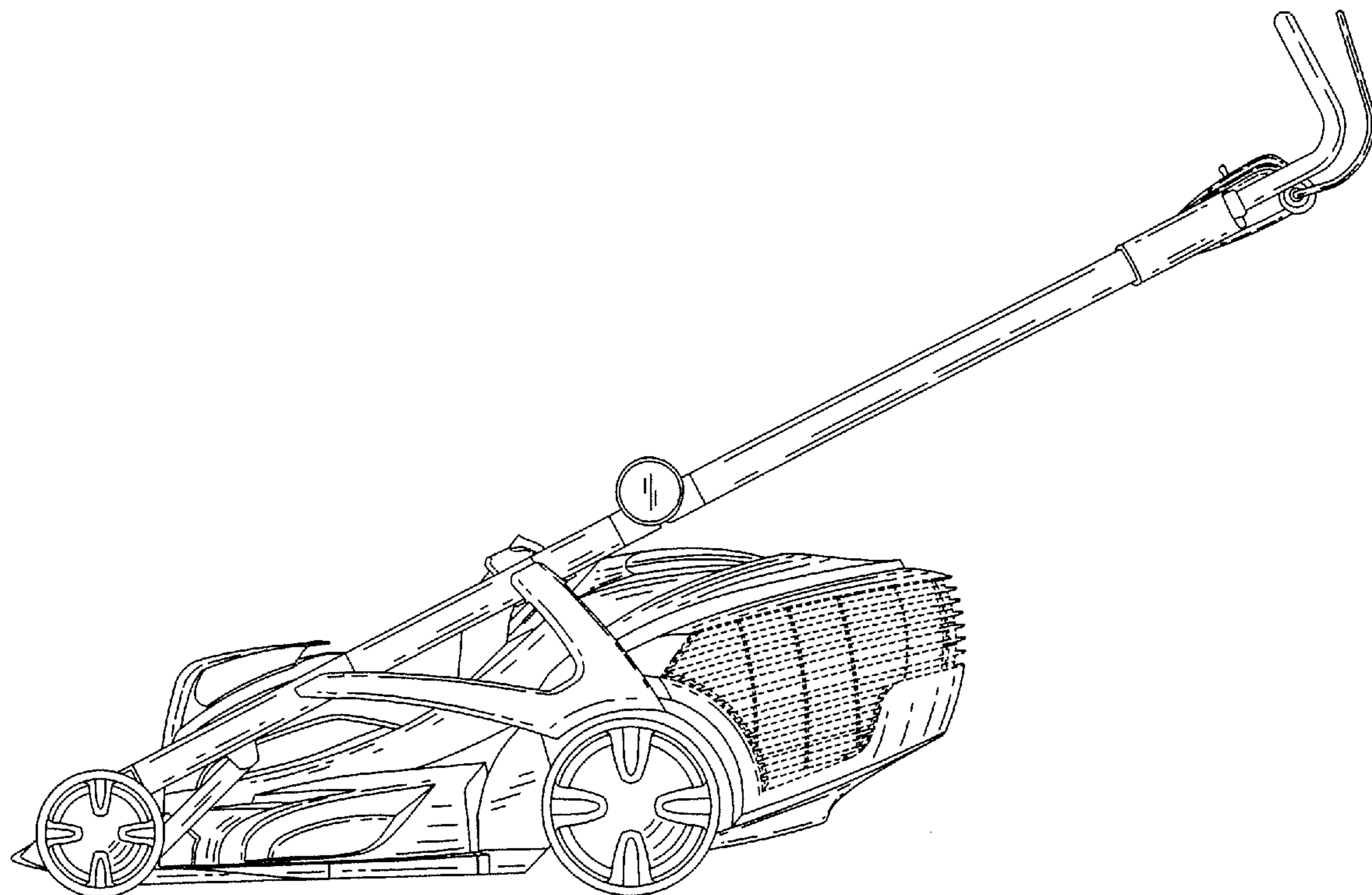
FIG. 4 is a front view of the lawn mower shown in FIG. 1.

FIG. 5 is a top view of the lawn mower shown in FIG. 1.

FIG. 6 is a bottom view of the lawn mower shown in FIG. 1; and,

FIG. 7 is a side perspective view of the lawn mower shown in FIG. 1.

**1 Claim, 7 Drawing Sheets**



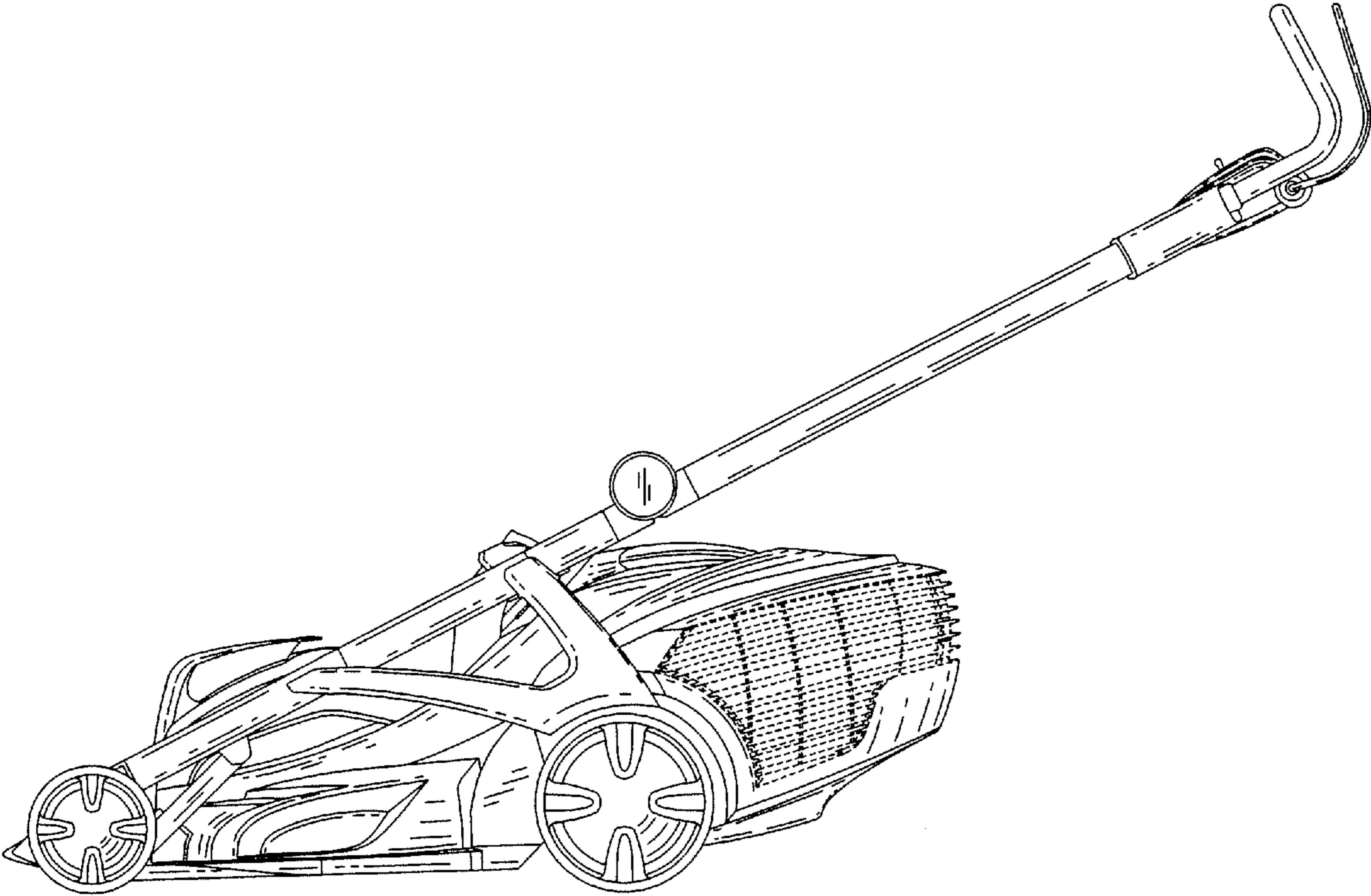


Fig. 1

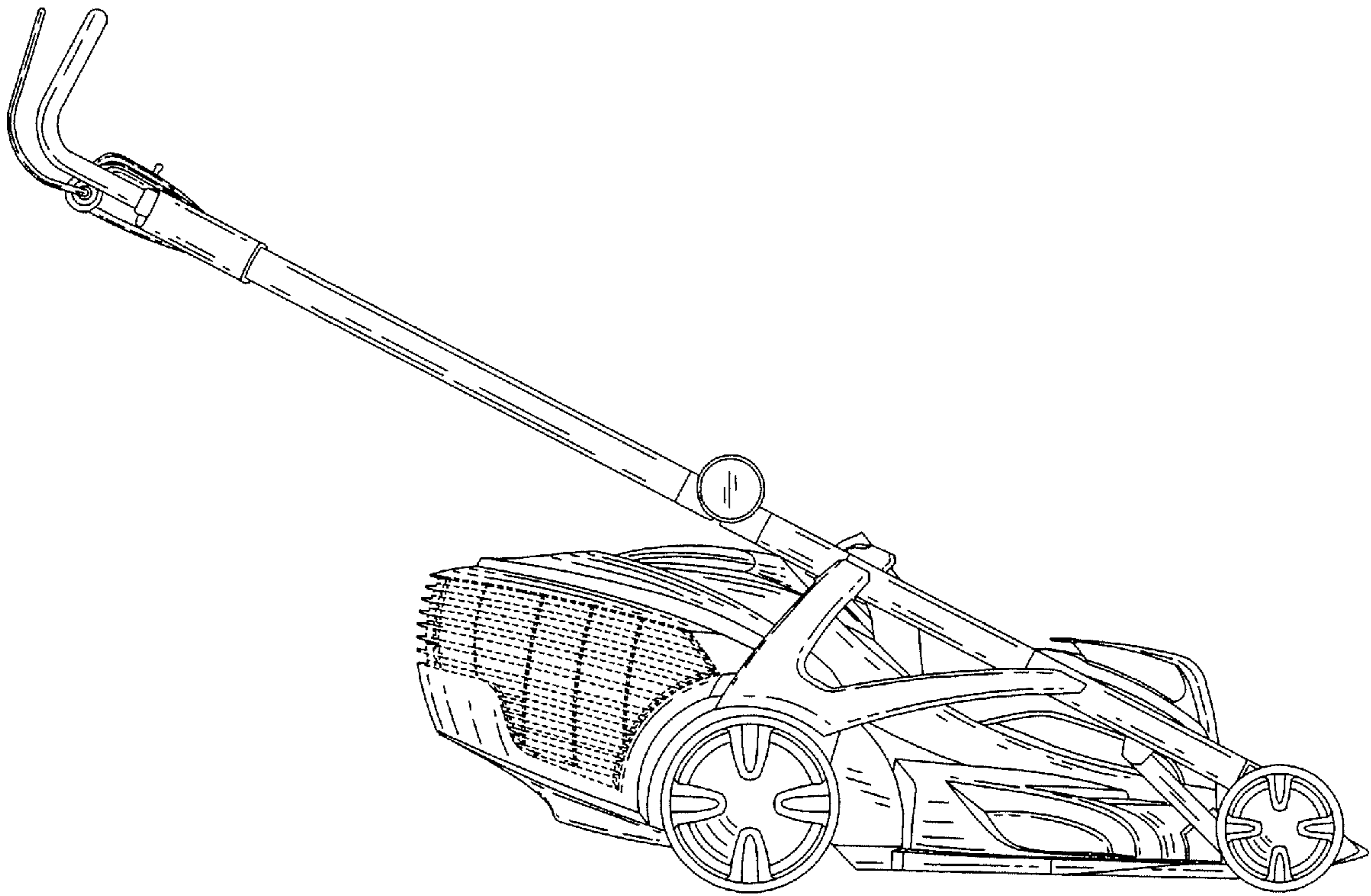


Fig. 2

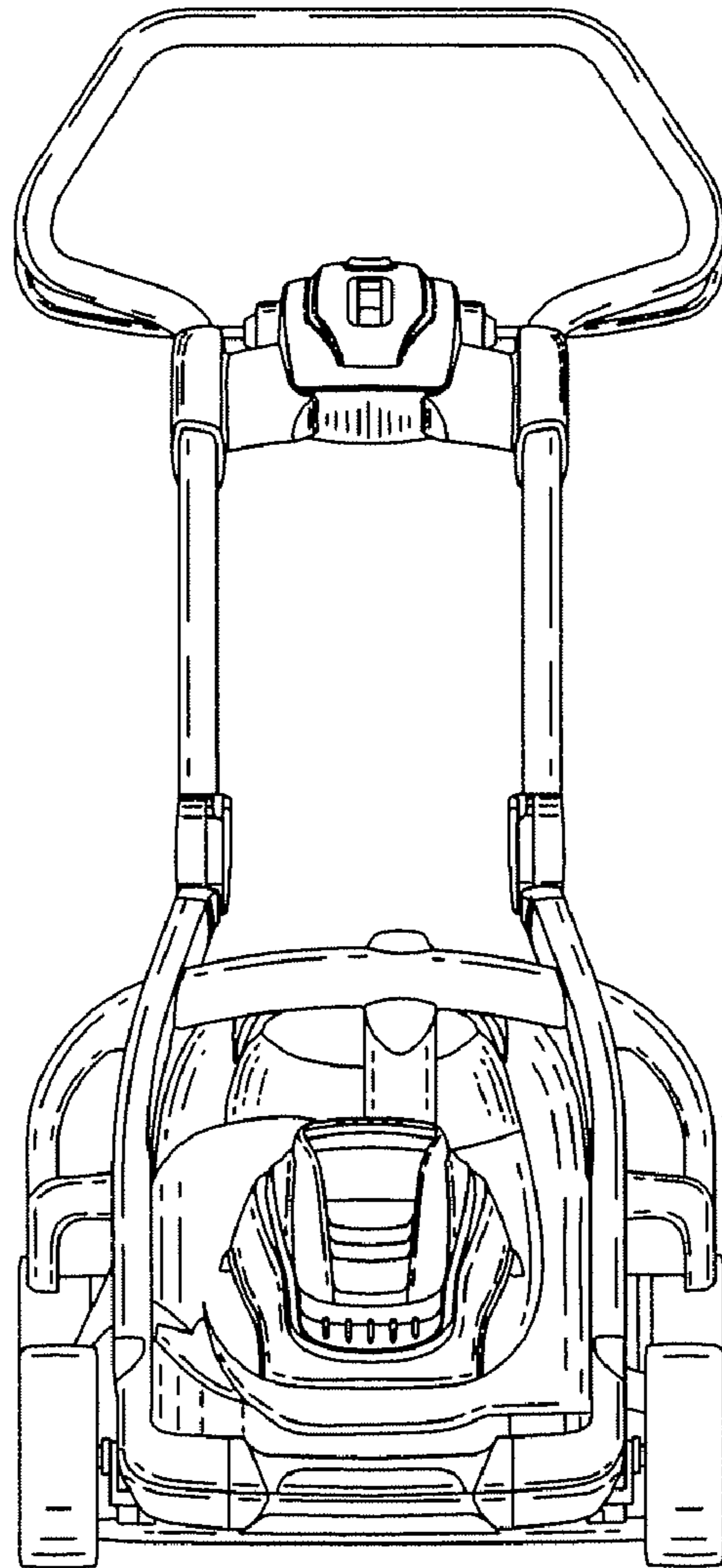


Fig. 3



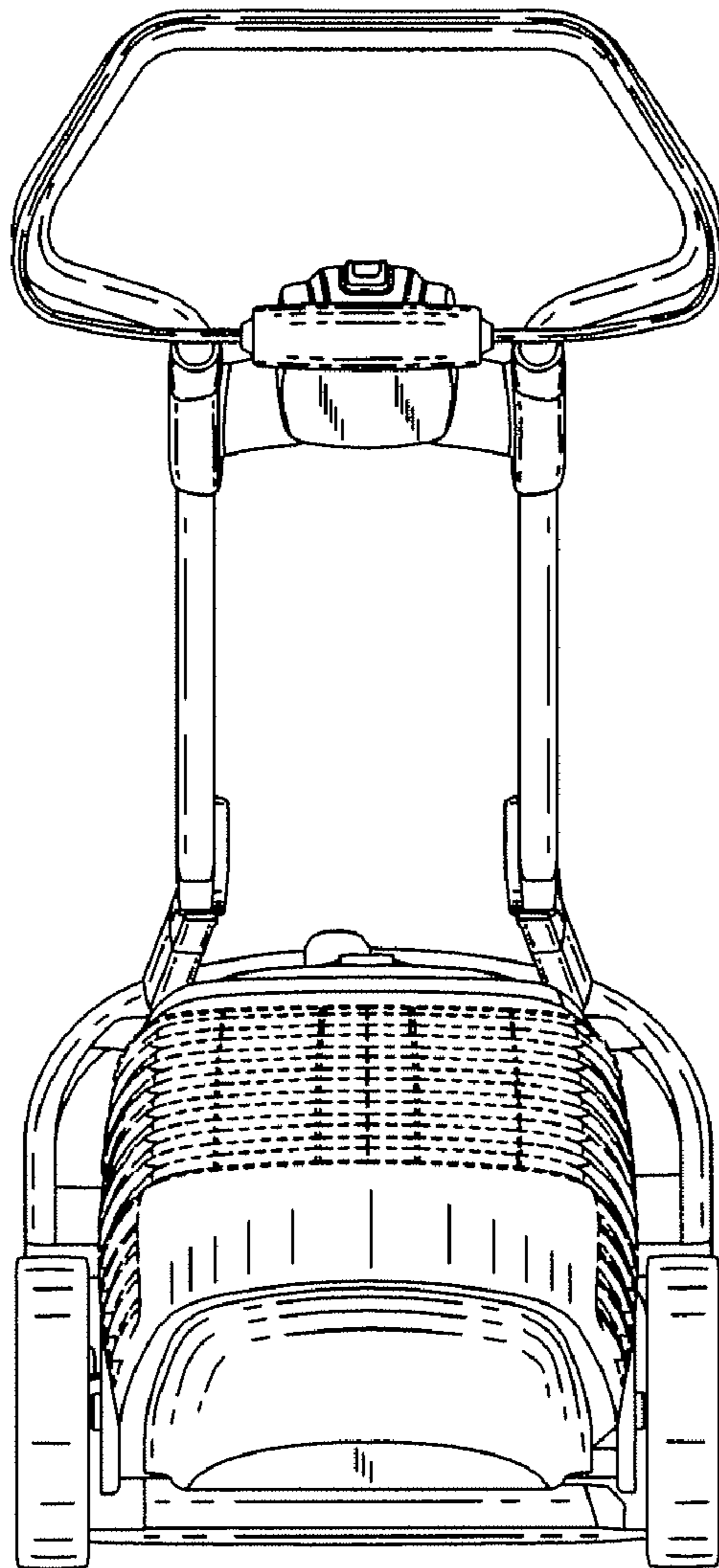


Fig. 4

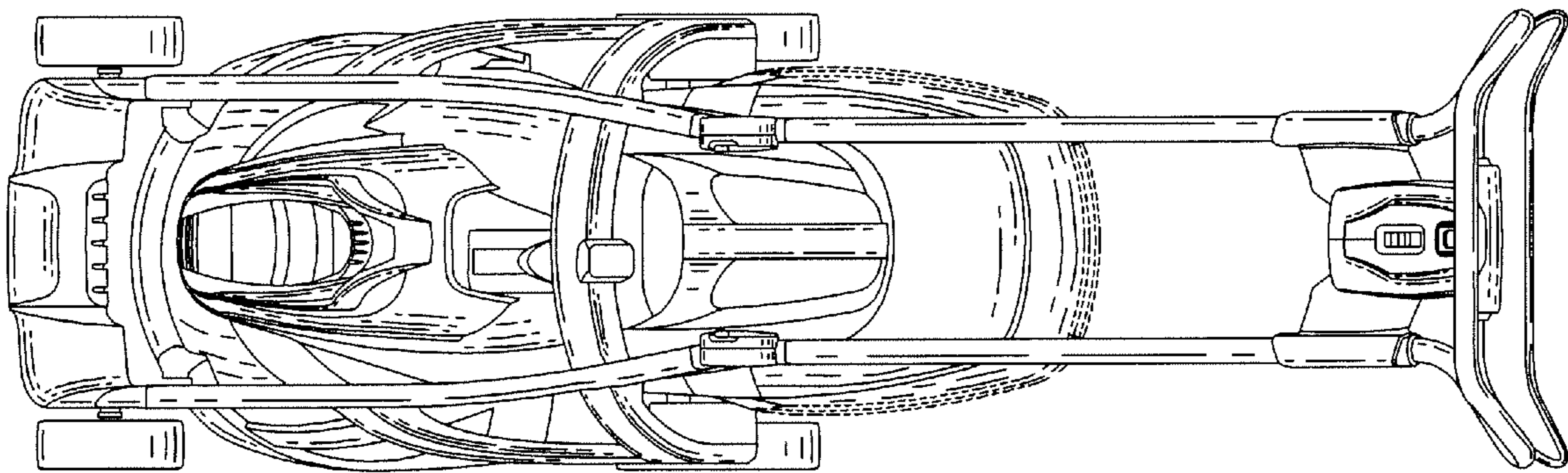


Fig. 5

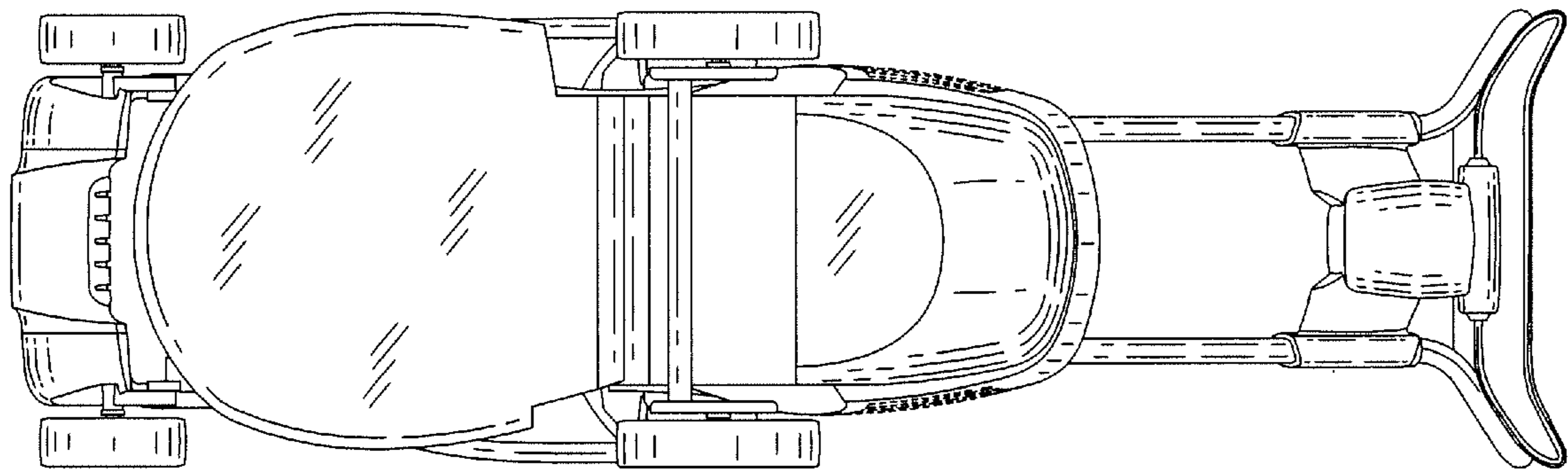


Fig. 6

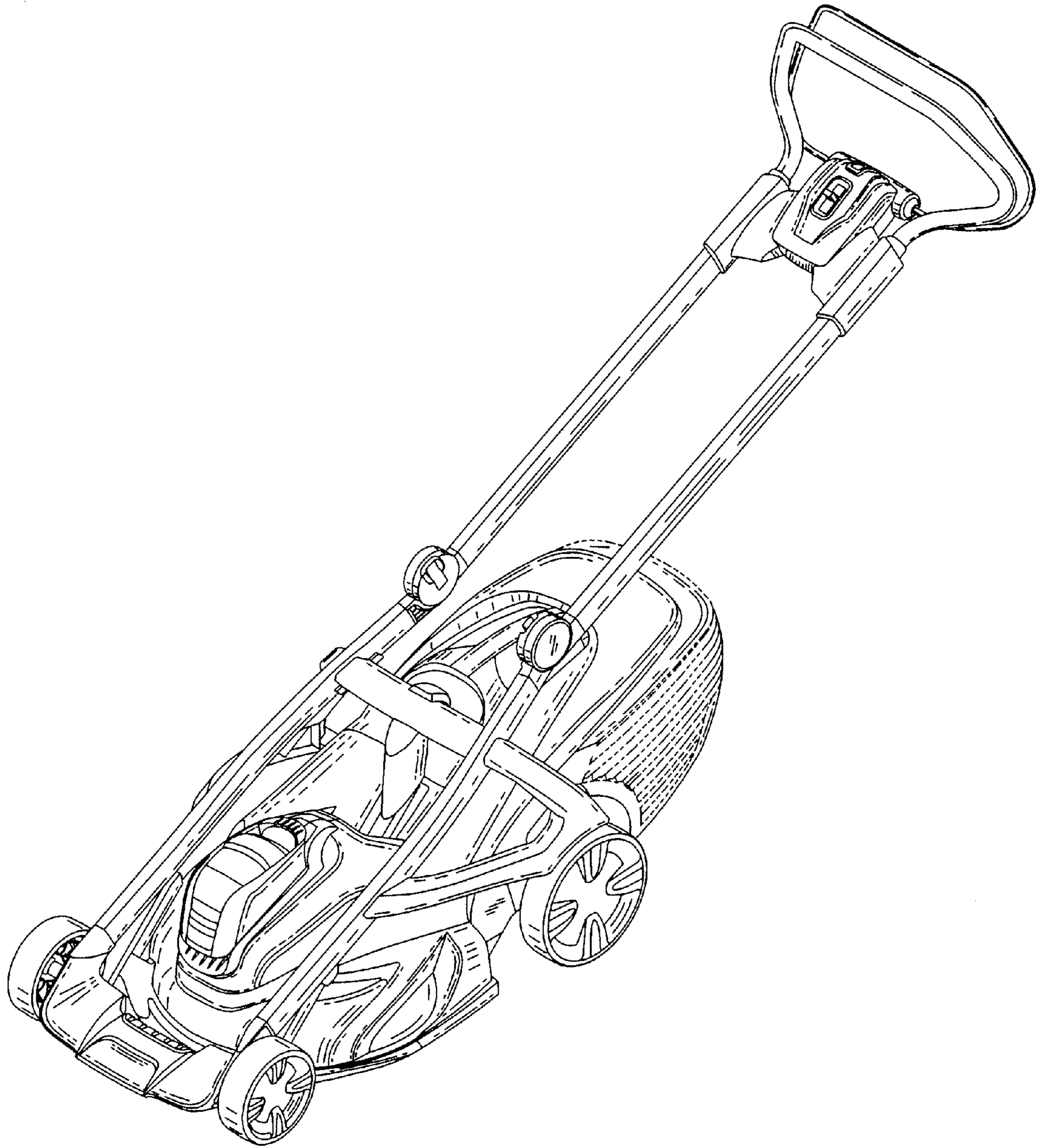


Fig. 7