

US00D646688S

(12) **United States Design Patent**
Bradford

(10) **Patent No.:** **US D646,688 S**

(45) **Date of Patent:** **** Oct. 11, 2011**

(54) **DOLPHIN-SHAPED USB MEMORY STORAGE DEVICE**

(76) Inventor: **Steven A. Bradford**, Spokane, WA (US)

(**) Term: **14 Years**

(21) Appl. No.: **29/376,062**

(22) Filed: **Oct. 1, 2010**

(51) **LOC (9) Cl.** **14-02**

(52) **U.S. Cl.** **D14/480.2**; D21/597

(58) **Field of Classification Search** D14/411,
D14/433, 435.1, 436, 480.1–480.7, 484.1,
D14/137, 155, 203.1–203.8, 240; D3/201,
D3/273; D13/107, 108, 133, 154, 184; 710/300,
710/301; 439/131, 135–147; D21/597, 599
See application file for complete search history.

(56) **References Cited**

U.S. PATENT DOCUMENTS

D60,741 S *	3/1922	Sisson	D21/585
D82,315 S *	10/1930	Cramer	D21/592
D230,743 S *	3/1974	Root	D21/599
D238,244 S *	12/1975	Pasquale	D8/18
D265,074 S *	6/1982	Ornatek	D11/166
D325,068 S *	3/1992	Gaury	D23/207
D341,867 S *	11/1993	Miuccio	D21/599
D364,660 S *	11/1995	Rahbek	D21/597
D444,224 S *	6/2001	Weixler	D24/110
D461,642 S	8/2002	Blaustein		
D517,881 S	3/2006	Kelleghan		
D521,509 S	5/2006	Chen		
D523,017 S *	6/2006	Blaustein	D14/480.2
D541,796 S	5/2007	Chen		
D546,328 S	7/2007	Kobayakawa		
D547,758 S	7/2007	Ho et al.		
D582,591 S	12/2008	van der Lande		
D631,054 S *	1/2011	Spier	D14/480.2
2007/0073950 A1 *	3/2007	Sheng	710/301
2009/0112761 A1 *	4/2009	Robertson et al.	705/41

OTHER PUBLICATIONS

2GB Lovely Dolphin Flash Drive—US\$ 9.38—China wholesale PickEgg.com, [online], [retrieved on Jun. 12, 2011] Retrieved from

the Internet <URL: <http://www.pickegg.com/wholesale/2gb-lovely-dolphin-flash-drive.html>>.*

Elephant, Dolphin and Mario lookalike USB Flash Drives, Web Archive [online] archived Jun. 17, 2009 [retrieved on Jun. 12, 2011]. Retrieved from the Internet <URL: <http://web.archive.org/web/20090623133832/http://www.gadgetsnews.co.uk/post/2009/06/17/Elephant-Dolphin-and-Mario-lookalike-USB-Flash-Drives.aspx>>.* Gear Live | Home, Toshiba Fish MP3 Player, pp. 10 and 11 [online] posted Apr. 12, 2006 [retrieved on Dec. 13, 2006]. Retrieved from the Internet <URL: <http://www.gearlive.com/index.php/news/category/USB/P20/>>.*

Bone Collection 4GB USB Flash Dolphin Drive, Gray DR08061-4GR. X-treme Geek. <http://www.geeky-gadgets.com/dolphin-usb-flash-drive/>. Accessed Mar. 12, 2010.

* cited by examiner

Primary Examiner — Cathron Brooks

Assistant Examiner — Karen E Kearney

(74) *Attorney, Agent, or Firm* — Montgomery Patent & Design; Robert C. Montgomery; Joseph T. Yaksich

(57) **CLAIM**

The ornamental design for a dolphin-shaped USB memory storage device, as shown and described.

DESCRIPTION

FIG. 1 is a front perspective view of a dolphin-shaped USB memory storage device, showing my new design;

FIG. 2 is a front perspective exploded view of the dolphin-shaped USB memory storage device depicted in an open state;

FIG. 3 is a front view thereof;

FIG. 4 is a rear view thereof;

FIG. 5 is a top view thereof;

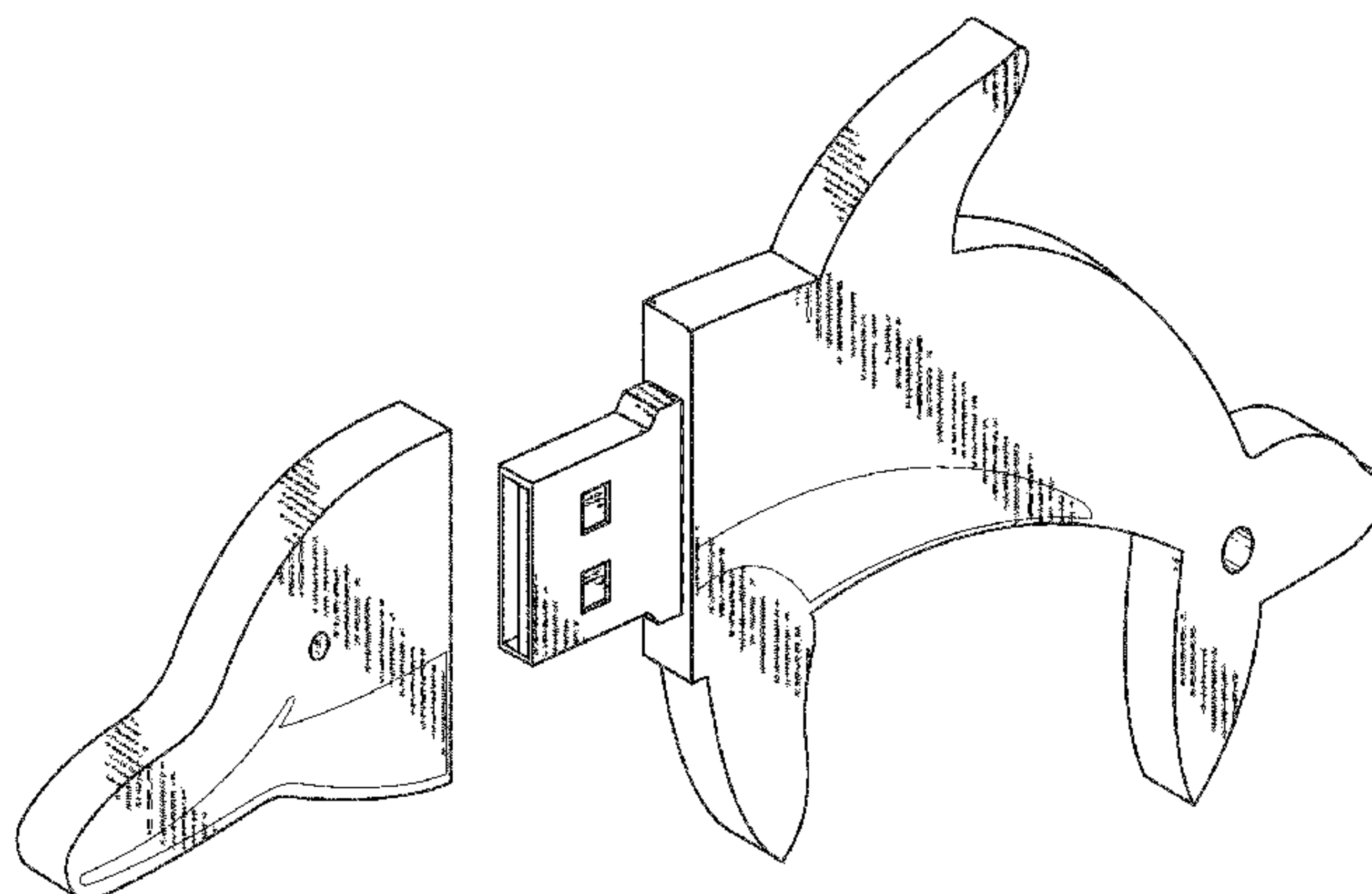
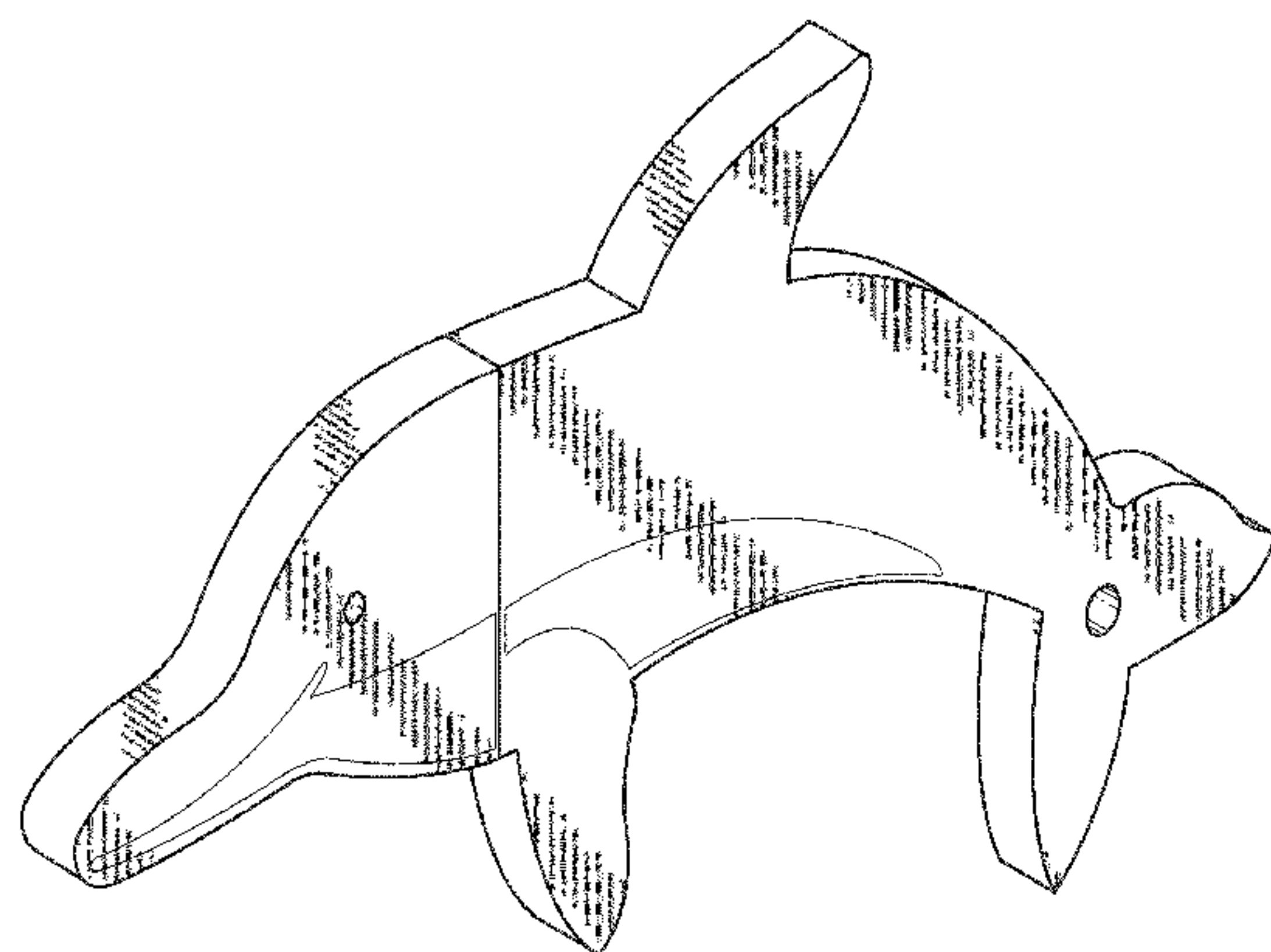
FIG. 6 is a bottom view thereof;

FIG. 7 is a left side view thereof; and,

FIG. 8 is a right side view thereof.

The dolphin-shaped USB memory storage device in FIGS. 1 and 3-8 are depicted in a closed state.

1 Claim, 4 Drawing Sheets



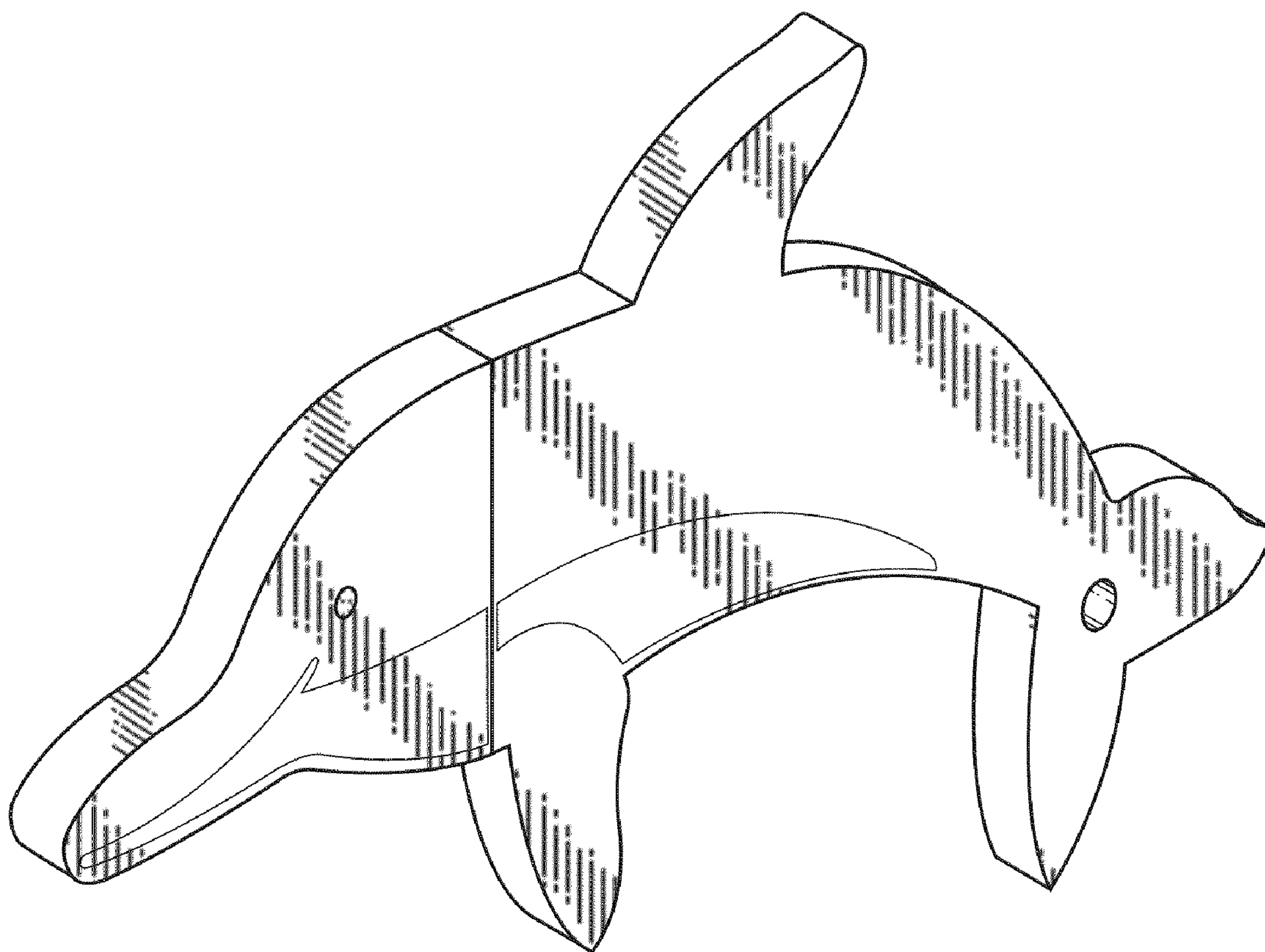


FIG. 1

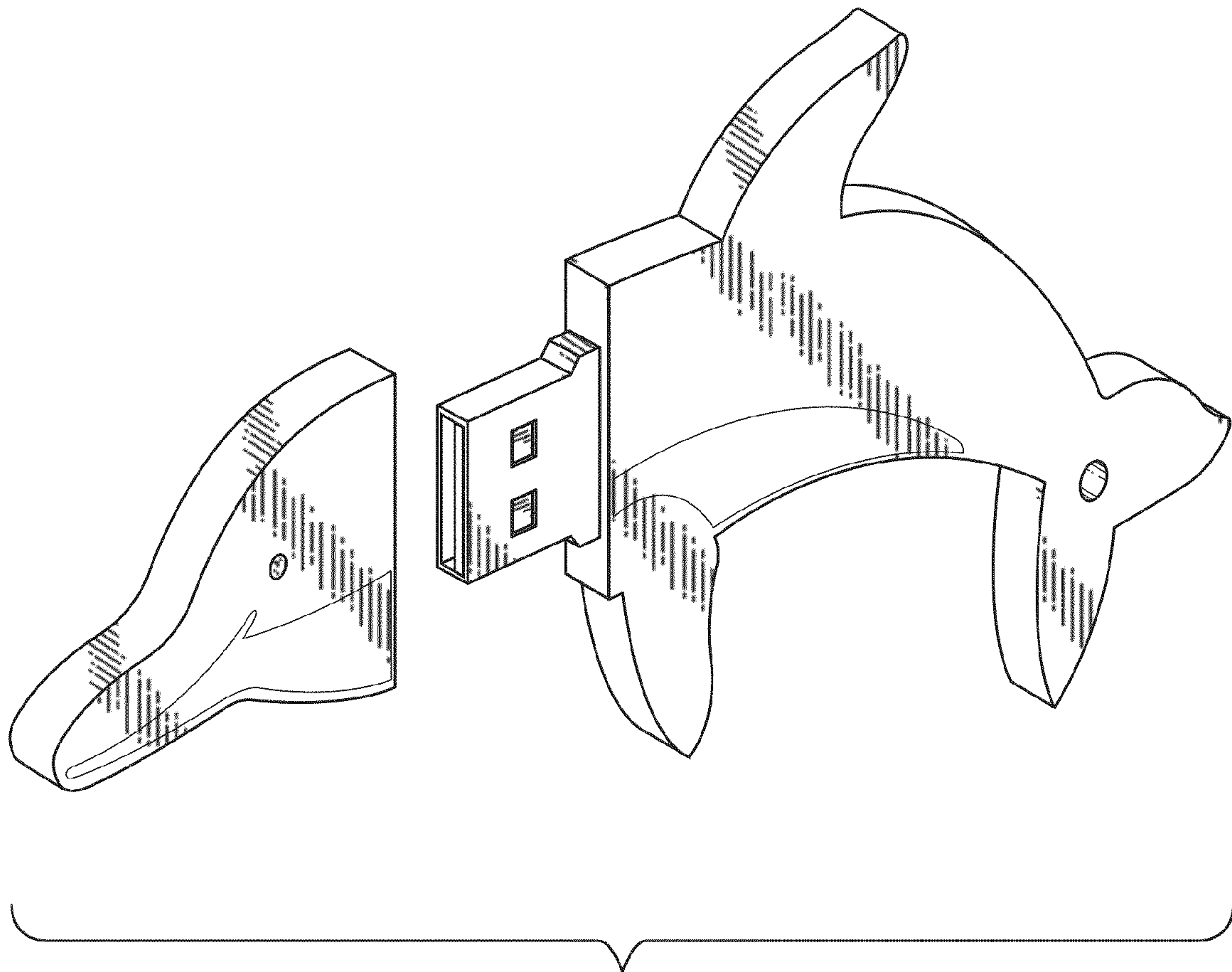


FIG. 2

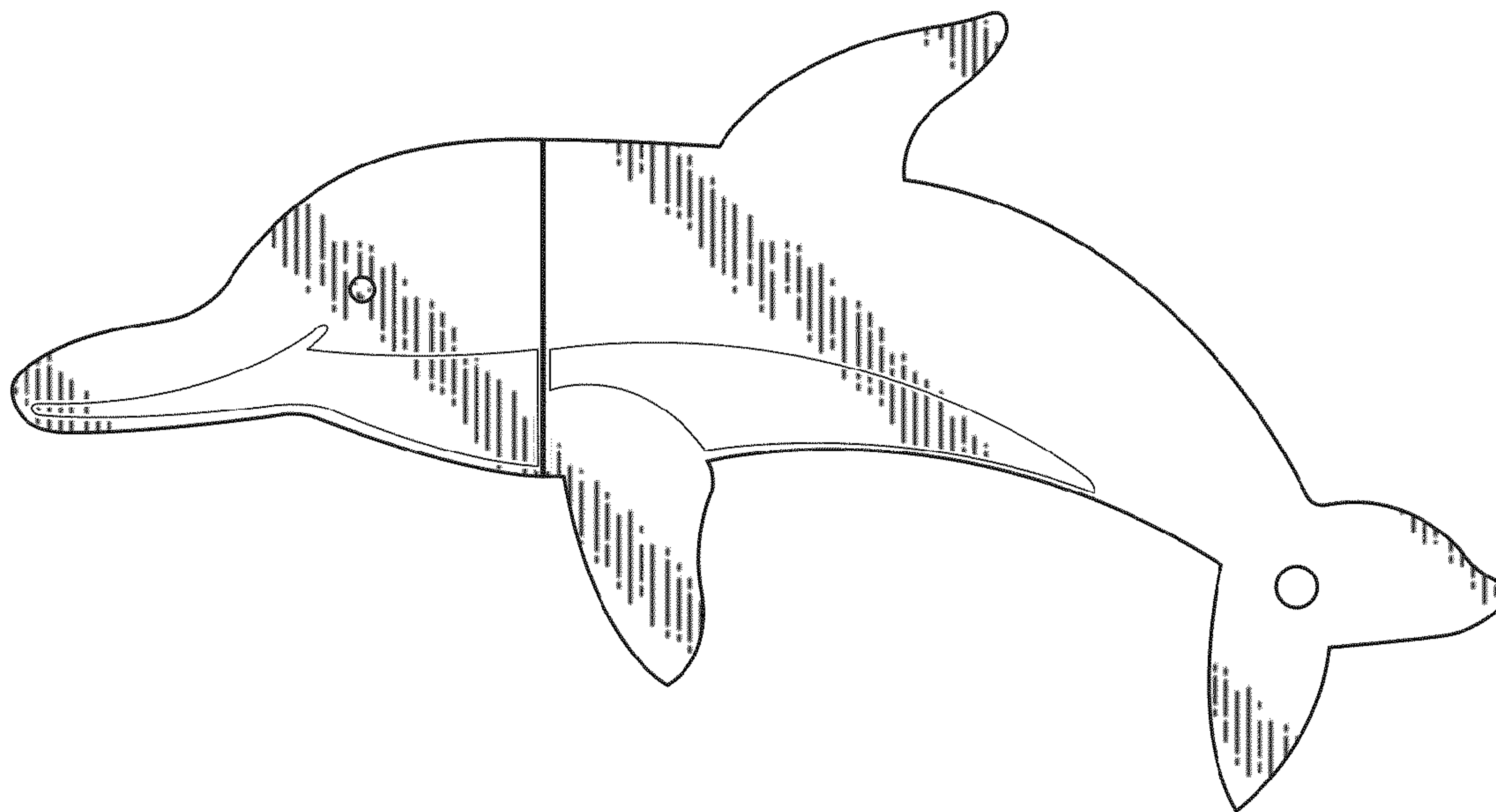


FIG. 3

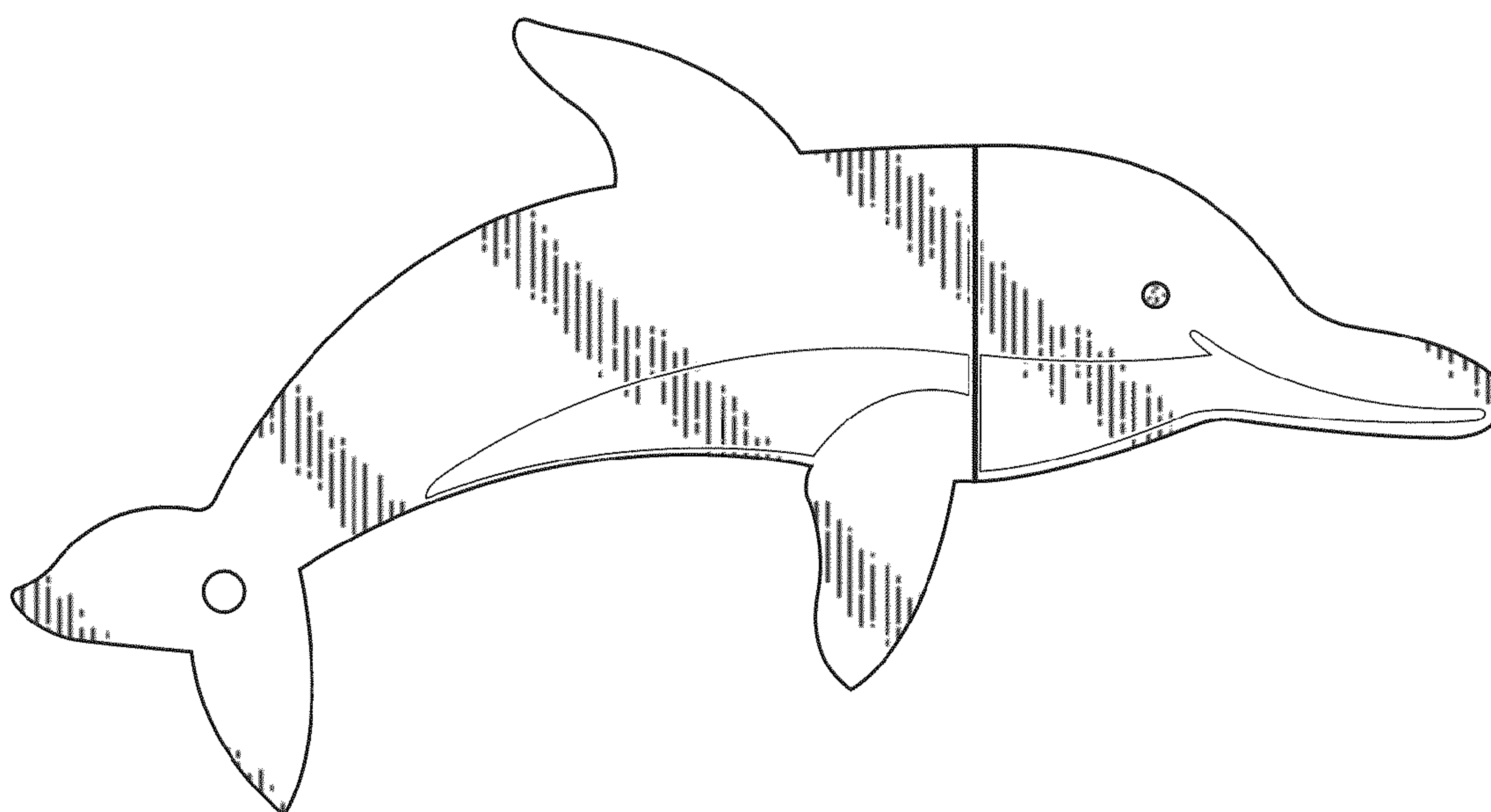


FIG. 4

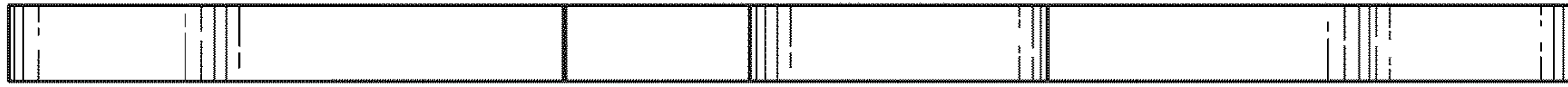


FIG. 5



FIG. 6



FIG. 7

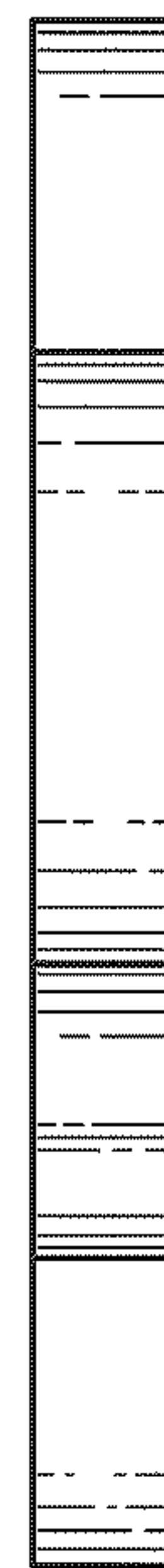


FIG. 8