



US00D646685S

(12) **United States Design Patent**
Skull et al.

(10) **Patent No.:** **US D646,685 S**

(45) **Date of Patent:** **** Oct. 11, 2011**

(54) **FULL MOTION DISPLAY MOUNT**

(75) Inventors: **Joseph Skull**, Fridley, MN (US); **Robert Hagen**, Minneapolis, MN (US); **Joe Bures**, Columbia Heights, MN (US); **Peter Tribuno**, Roseville, MN (US)

D568,144 S 5/2008 Wohlford et al.
D569,381 S 5/2008 Sculler et al.
D576,633 S 9/2008 Muday et al.
D581,252 S * 11/2008 Short D8/354
7,448,584 B2 * 11/2008 Chen et al. 248/278.1
D581,915 S * 12/2008 Sculler et al. D14/239

(Continued)

(73) Assignee: **Milestone AV Technologies LLC**,
Savage, MN (US)

FOREIGN PATENT DOCUMENTS

WO WO2009/089169 A1 7/2009

(**) Term: **14 Years**

OTHER PUBLICATIONS

U.S. Appl. No. 29/360,335, Skull et al., (Related Case).

(21) Appl. No.: **29/360,334**

(Continued)

(22) Filed: **Apr. 23, 2010**

(51) **LOC (9) Cl.** **08-07**

Primary Examiner — Angela J Lee

(52) **U.S. Cl.** **D14/452**

(74) *Attorney, Agent, or Firm* — Patterson Thuent Christensen Pedersen, P.A.

(58) **Field of Classification Search** D14/447,
D14/451, 452, 239, 432, 434, 439, 448, 457,
D14/251, 253, 224, 224.1, 126, 127, 371,
D14/373, 374, 375; D8/363, 373, 380; 248/917,
248/918, 919, 920, 921, 922, 923, 924, 441.1,
248/460, 122.1, 125.7, 371, 176.1, 176.3,
248/222.52, 276.1, 324; 361/679.06, 679.04,
361/679.21, 679.22, 679.56

See application file for complete search history.

(57) **CLAIM**

The ornamental design for a full motion display mount, as shown and described.

(56) **References Cited**

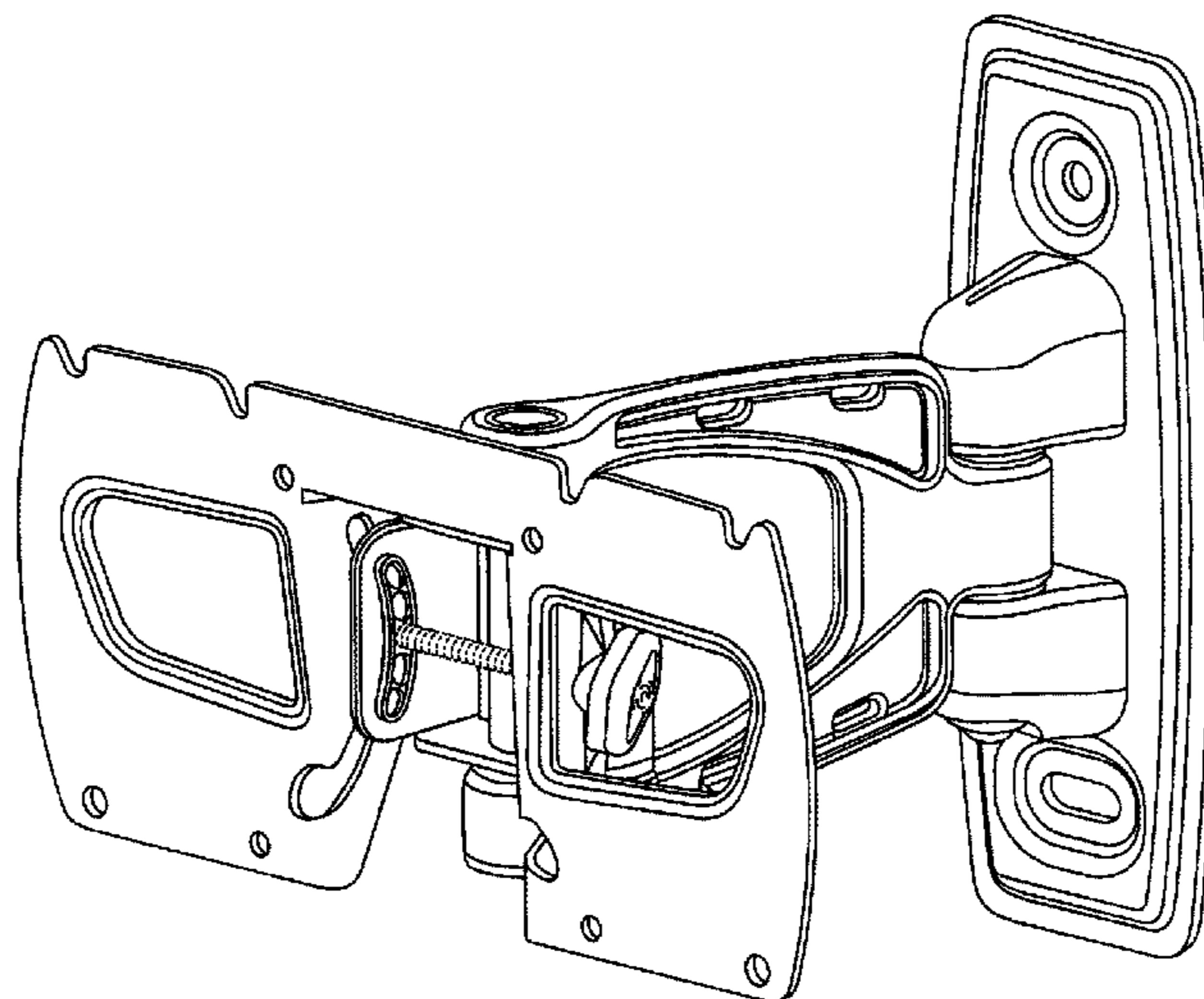
U.S. PATENT DOCUMENTS

7,178,774 B2 * 2/2007 Kim 248/279.1
D538,633 S * 3/2007 Ly Hau et al. D8/363
D543,548 S 5/2007 Muday et al.
D549,558 S 8/2007 Dittmer et al.
D557,126 S 12/2007 Worrall et al.
D558,560 S 1/2008 Ciungan
D558,562 S 1/2008 Ciungan et al.
D558,563 S 1/2008 Ciungan
D559,088 S * 1/2008 Ciungan D8/363
D561,748 S 2/2008 Sculler et al.
D562,113 S * 2/2008 Ciungan et al. D8/363
D565,938 S 4/2008 Massoumi et al.

DESCRIPTION

FIG. 1 is a front perspective view of a full motion display mount according to the invention;
FIG. 2 is a front elevation view of the full motion display mount depicted in FIG. 1;
FIG. 3 is a left side elevation view of the full motion display mount depicted in FIG. 1;
FIG. 4 is a right side elevation view of the full motion display mount depicted in FIG. 1;
FIG. 5 is a top plan view of the full motion display mount depicted in FIG. 1; and,
FIG. 6 is a bottom plan view of the full motion display mount depicted in FIG. 1.
The portions of the full motion display mount shown in broken lines form no part of the claimed design.

1 Claim, 5 Drawing Sheets



US D646,685 S

Page 2

U.S. PATENT DOCUMENTS

7,487,943 B1 2/2009 Gillespie
D587,716 S 3/2009 Hau et al.
7,513,474 B2* 4/2009 Anderson et al. 248/284.1
D595,299 S 6/2009 Bures
D595,723 S 7/2009 Bures et al.
D596,189 S 7/2009 Bures et al.
D603,852 S 11/2009 Le
D606,522 S 12/2009 Le
D611,480 S * 3/2010 Hau et al. D14/452
D620,943 S 8/2010 Grey et al.
D623,654 S 9/2010 Hau et al.
2004/0262474 A1 12/2004 Boks et al.

2005/0127253 A1 6/2005 Kim
2005/0127261 A1 6/2005 Lin
2007/0221807 A1* 9/2007 Park 248/324
2008/0006751 A1 1/2008 Chen et al.

OTHER PUBLICATIONS

U.S. Appl. No. 29/360,332, Skull et al., (Related Case).
Sanus Systems Catalog © 2008 Milestone AV Technologies, A
Duchossios Group Company, pp. 60-74 (Section entitled Sanus
Visionmount, AV Mounts).

* cited by examiner

Fig. 1

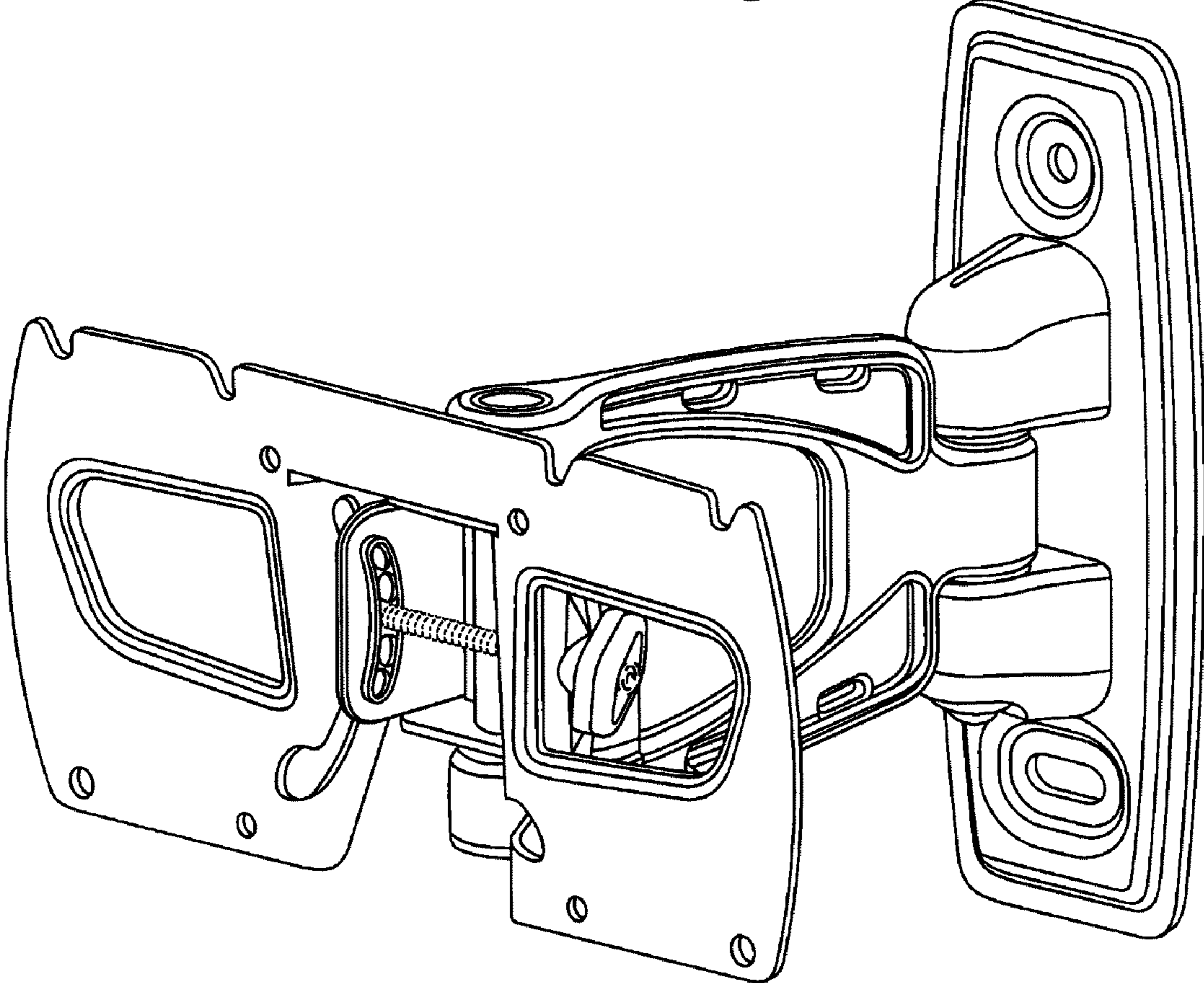


Fig. 2

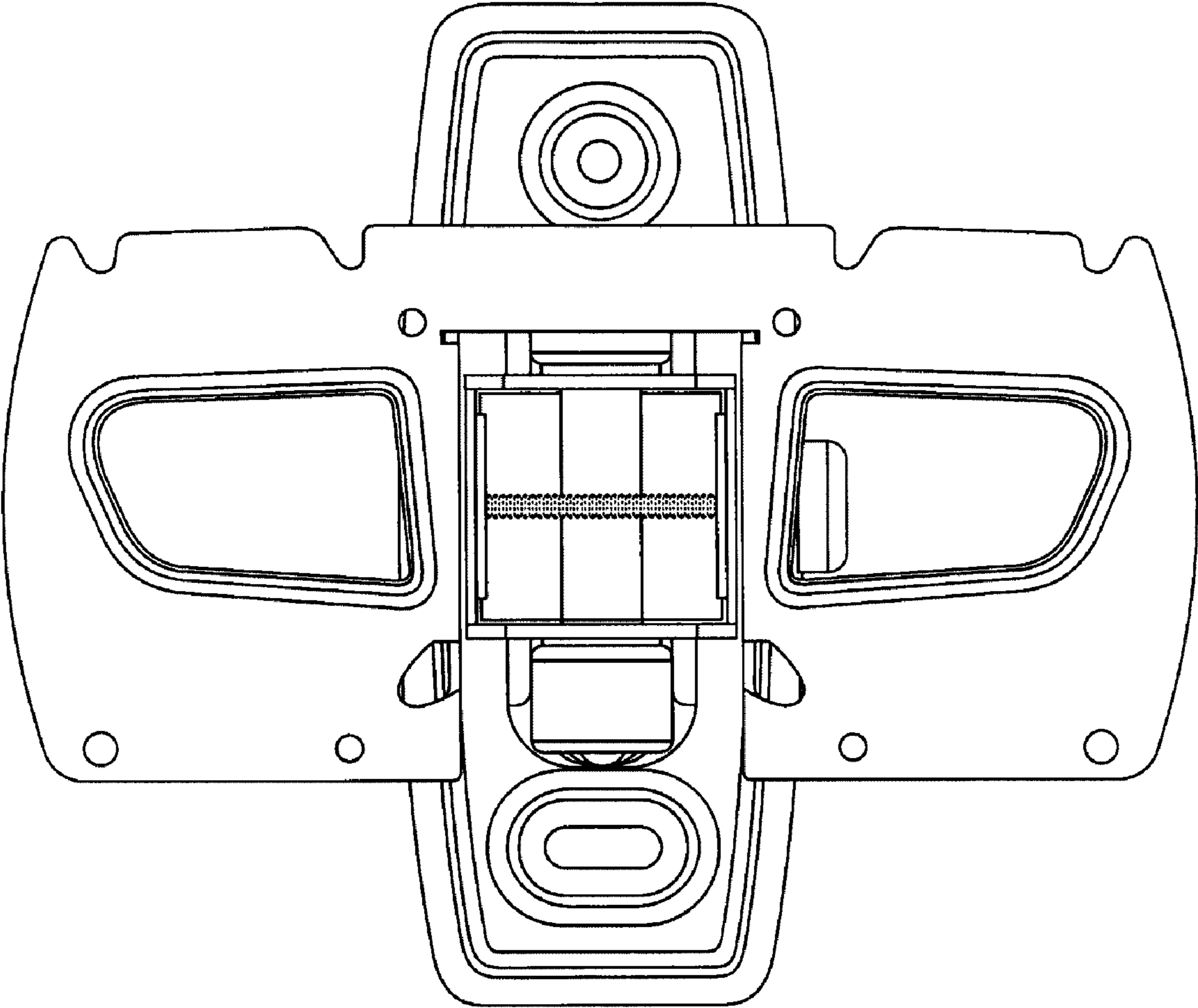


Fig. 3

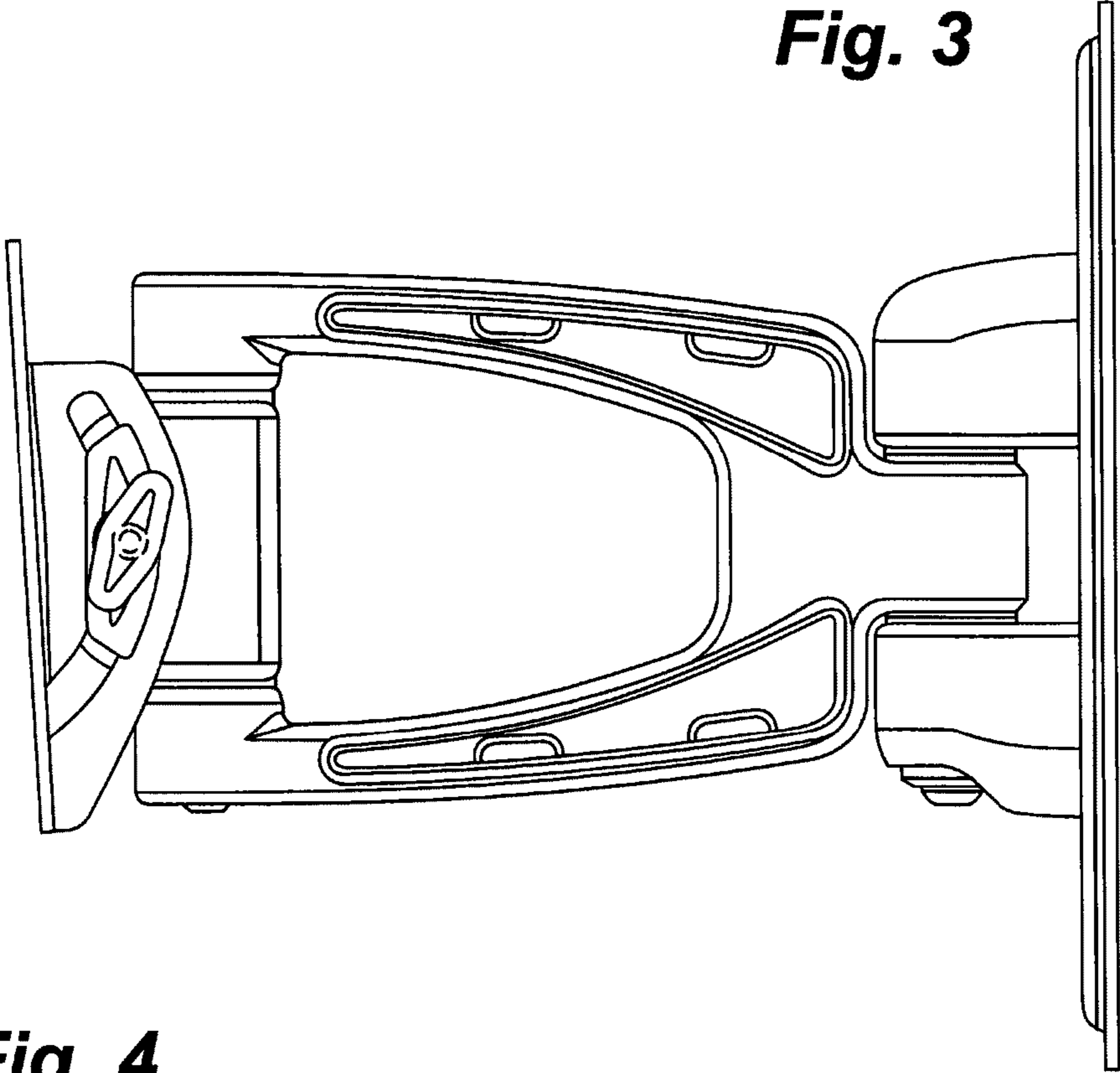


Fig. 4

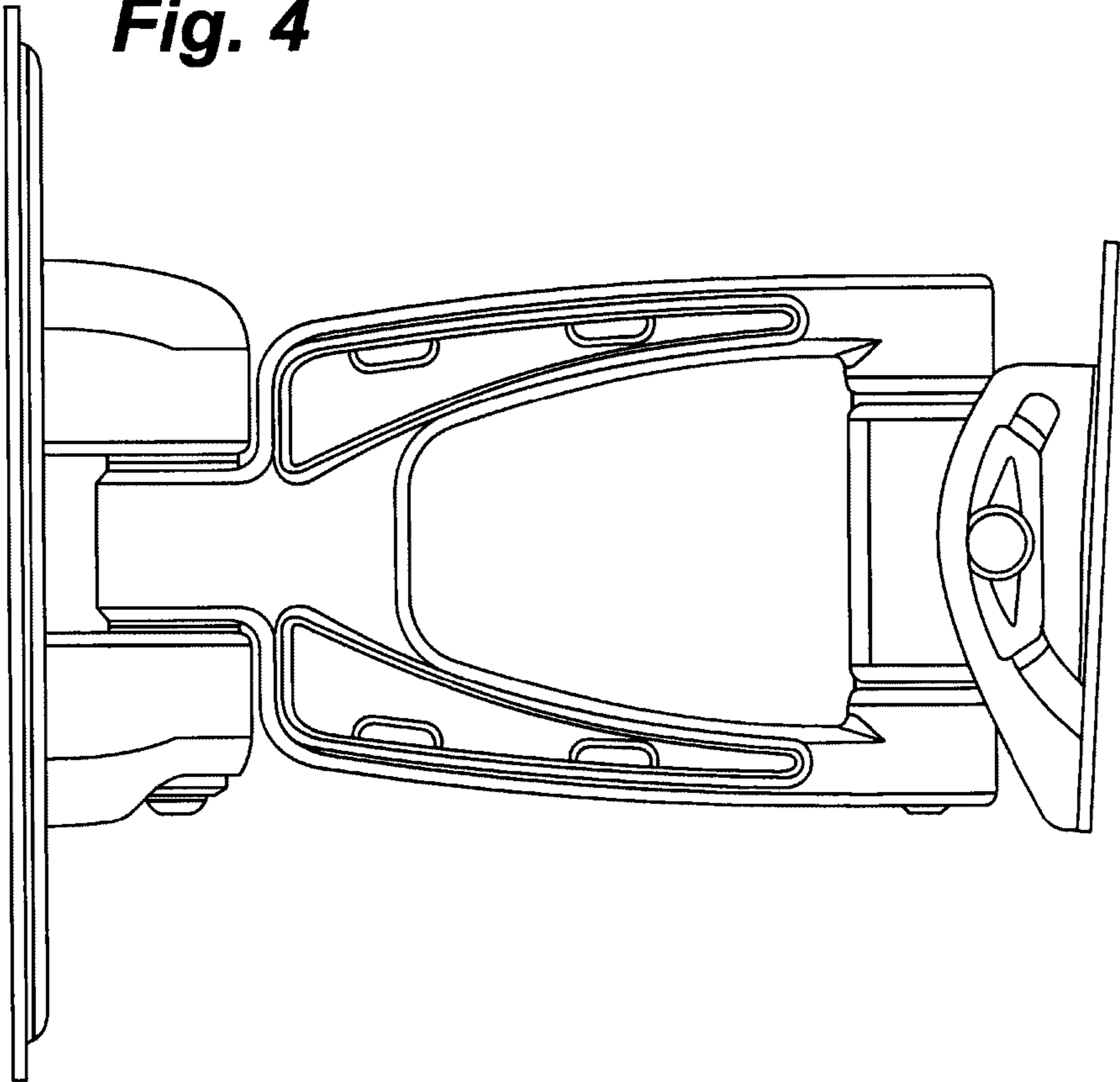


Fig. 5

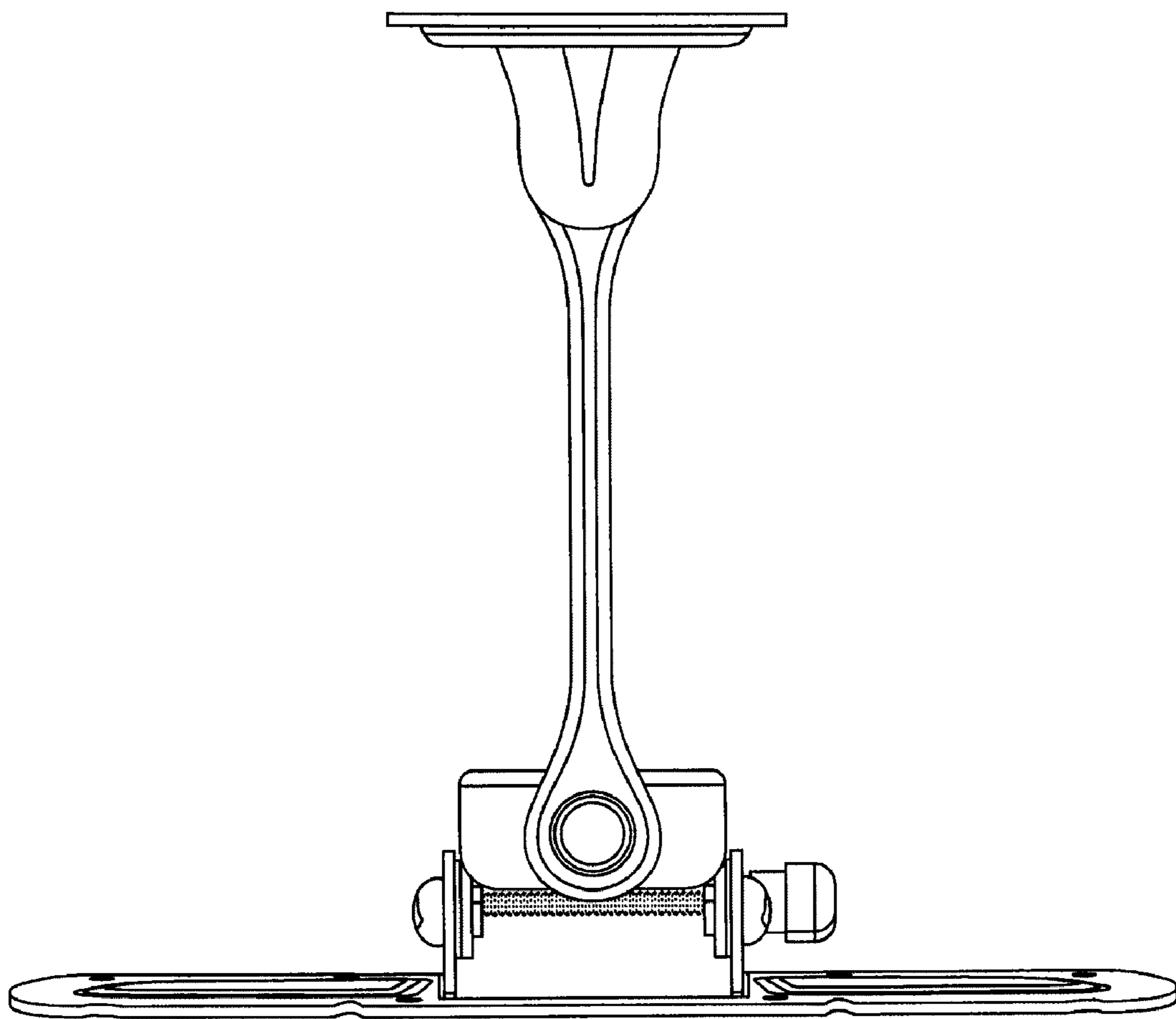


Fig. 6

