



US00D646678S

(12) **United States Design Patent**
Sirotych

(10) **Patent No.:** **US D646,678 S**

(45) **Date of Patent:** **** Oct. 11, 2011**

- (54) **INTERACTIVE DISPLAY FRAME**
- (75) Inventor: **Roberto A. L. Sirotych**, Calgary (CA)
- (73) Assignee: **SMART Technologies ULC** (CA)
- (**) Term: **14 Years**
- (21) Appl. No.: **29/353,745**
- (22) Filed: **Jan. 13, 2010**
- (51) **LOC (9) Cl.** **14-02**
- (52) **U.S. Cl.** **D14/341**
- (58) **Field of Classification Search** D14/341-347,
D14/137, 138, 138.1, 138 AA, 138 R, 138 AB,
D14/138 G, 138 A, 496, 426, 429, 129, 130,
D14/420, 439-441, 448, 125, 147, 156, 218,
D14/250, 336, 203.1, 203.3, 203.4, 203.7,
D14/315, 388-390; D21/324, 329, 330;
D10/65, 104; D18/6-7; 345/169, 901, 905,
345/156, 157, 168, 173; 361/680, 686, 679.27,
361/679.3; 379/433.04, 433.07, 433.11,
379/916, 433.01, 433.06
See application file for complete search history.

- 7,319,499 B2 * 1/2008 Peng 349/58
- D587,261 S * 2/2009 Skaf et al. D14/341
- D608,327 S * 1/2010 Cigliano et al. D14/138 AD
- D617,755 S * 6/2010 Leinvuo D14/138 G

* cited by examiner

Primary Examiner — Cathron Brooks

Assistant Examiner — Barbara Fox

(74) *Attorney, Agent, or Firm* — Katten Muchin Rosenman LLP

(57) **CLAIM**

The ornamental design for an interactive display frame, as shown and described.

DESCRIPTION

- FIG. 1 is a perspective view of an interactive display frame showing my new design;
- FIG. 2 is a front view of the interactive display frame showing my new design;
- FIG. 3 is a left side view of the interactive display frame showing my new design;
- FIG. 4 is a right side view of the interactive display frame showing my new design;
- FIG. 5 is a back view of the interactive display frame showing my new design;
- FIG. 6 is a top view of the interactive display frame showing my new design; and,
- FIG. 7 is a bottom view the interactive display frame showing my new design.

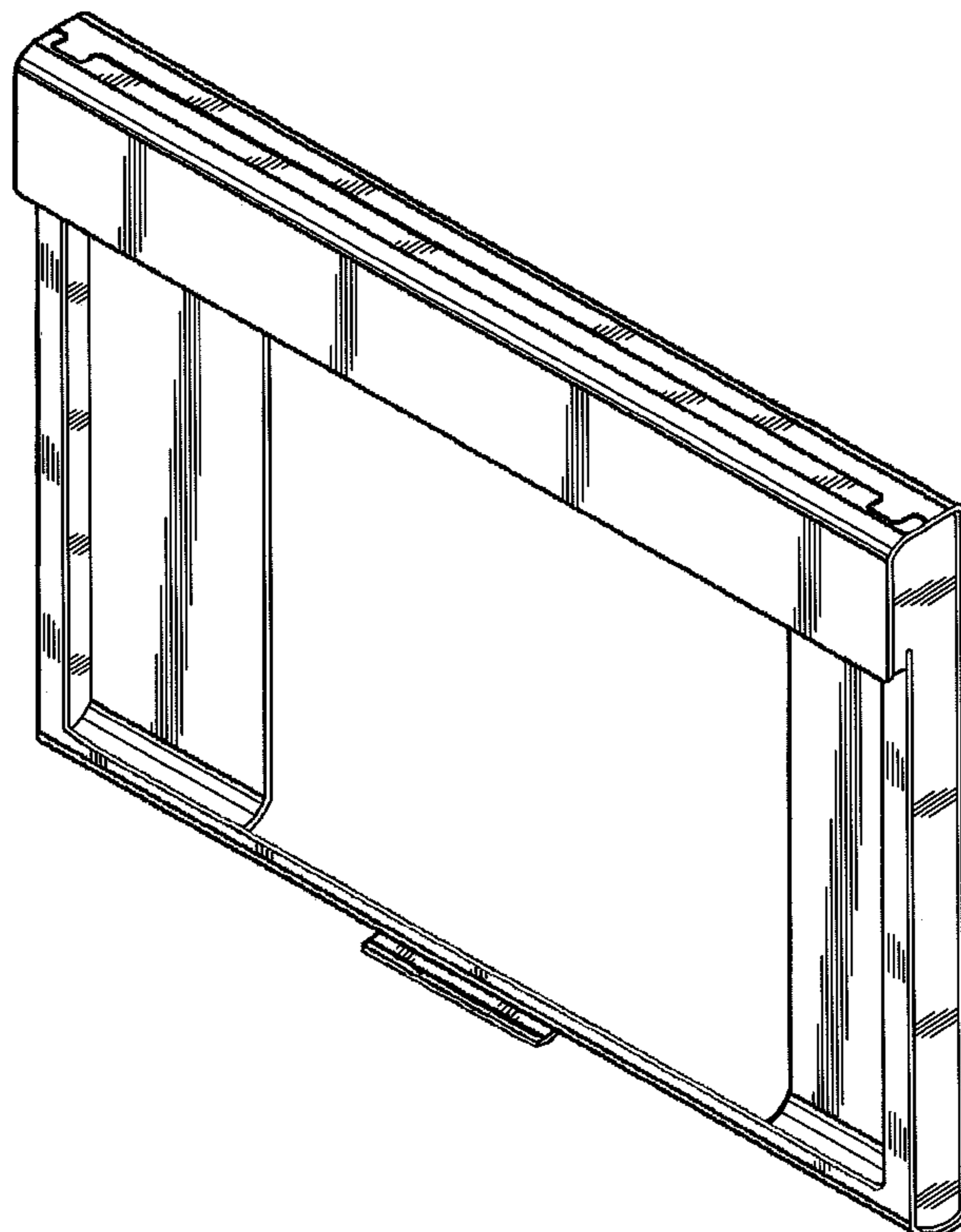
The broken lines shown in the drawings are for the purpose of illustrating unclaimed portions of the interactive display frame and form no part of the claimed design.

1 Claim, 5 Drawing Sheets

(56) **References Cited**

U.S. PATENT DOCUMENTS

- D310,359 S * 9/1990 Inukai D14/374
- D330,545 S * 10/1992 Ashihara D14/374
- D422,978 S * 4/2000 Hirota D14/448
- D486,831 S * 2/2004 Dayani et al. D14/448
- D487,271 S * 3/2004 Korpai D14/448
- D551,226 S * 9/2007 Lee et al. D14/341



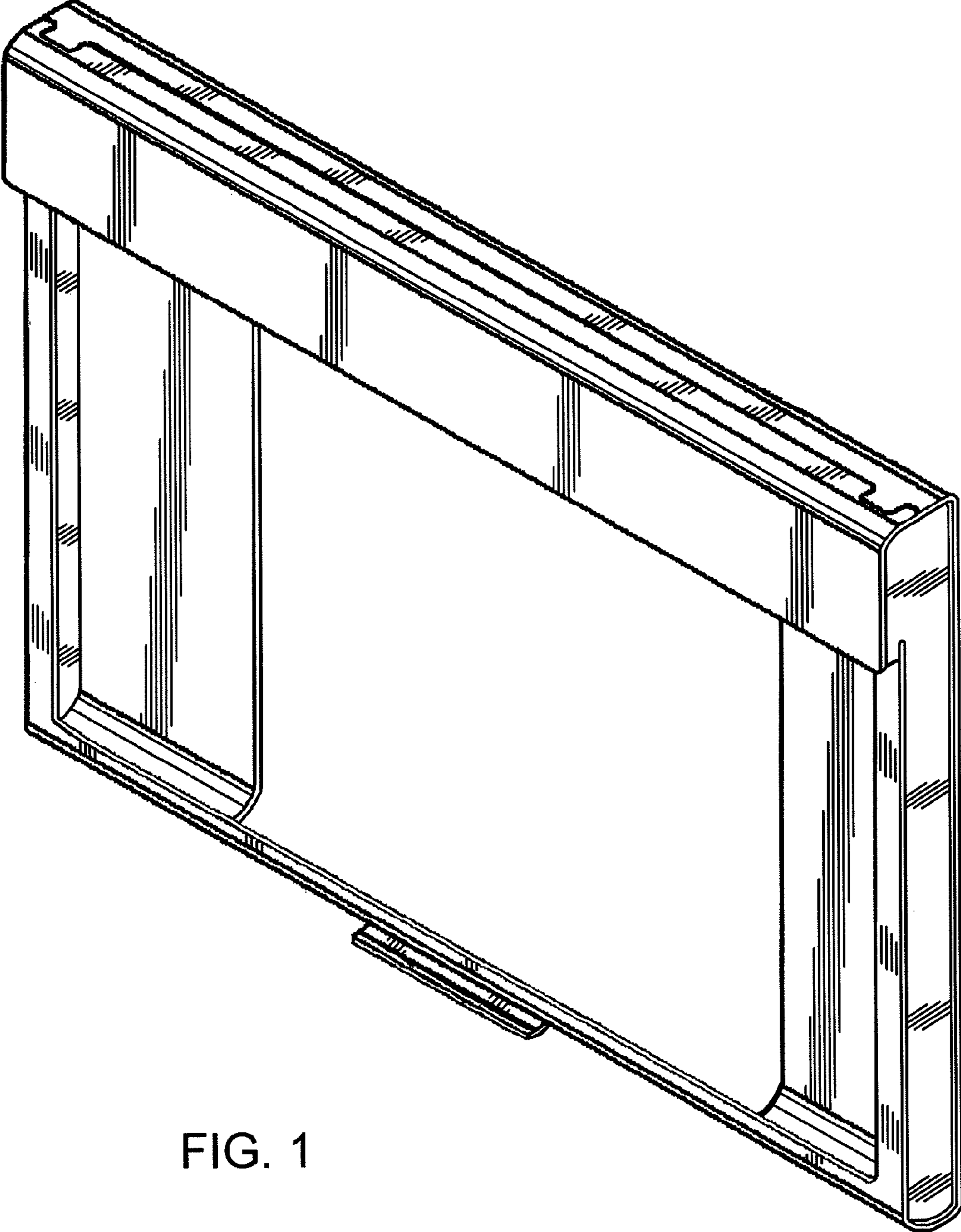


FIG. 1

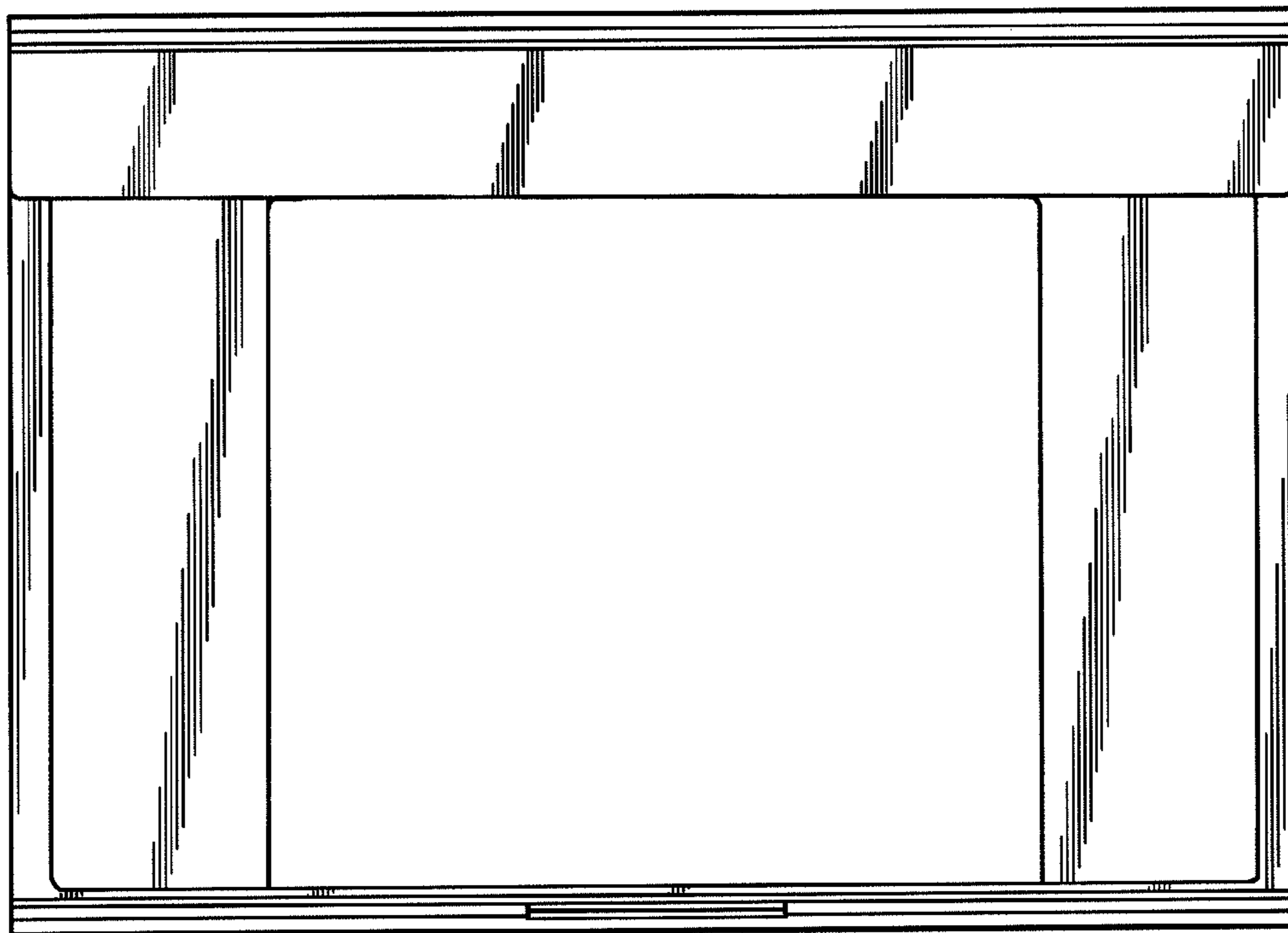


FIG. 2

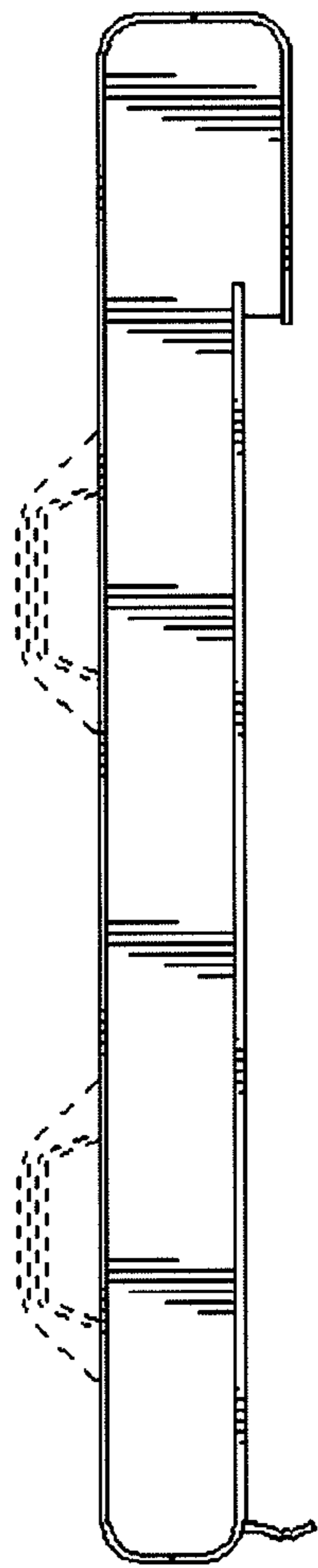


FIG. 3

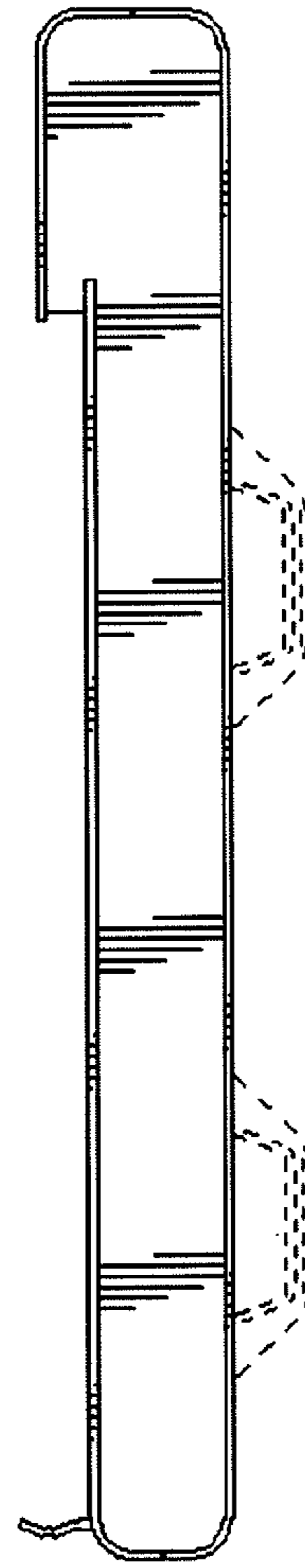


FIG. 4

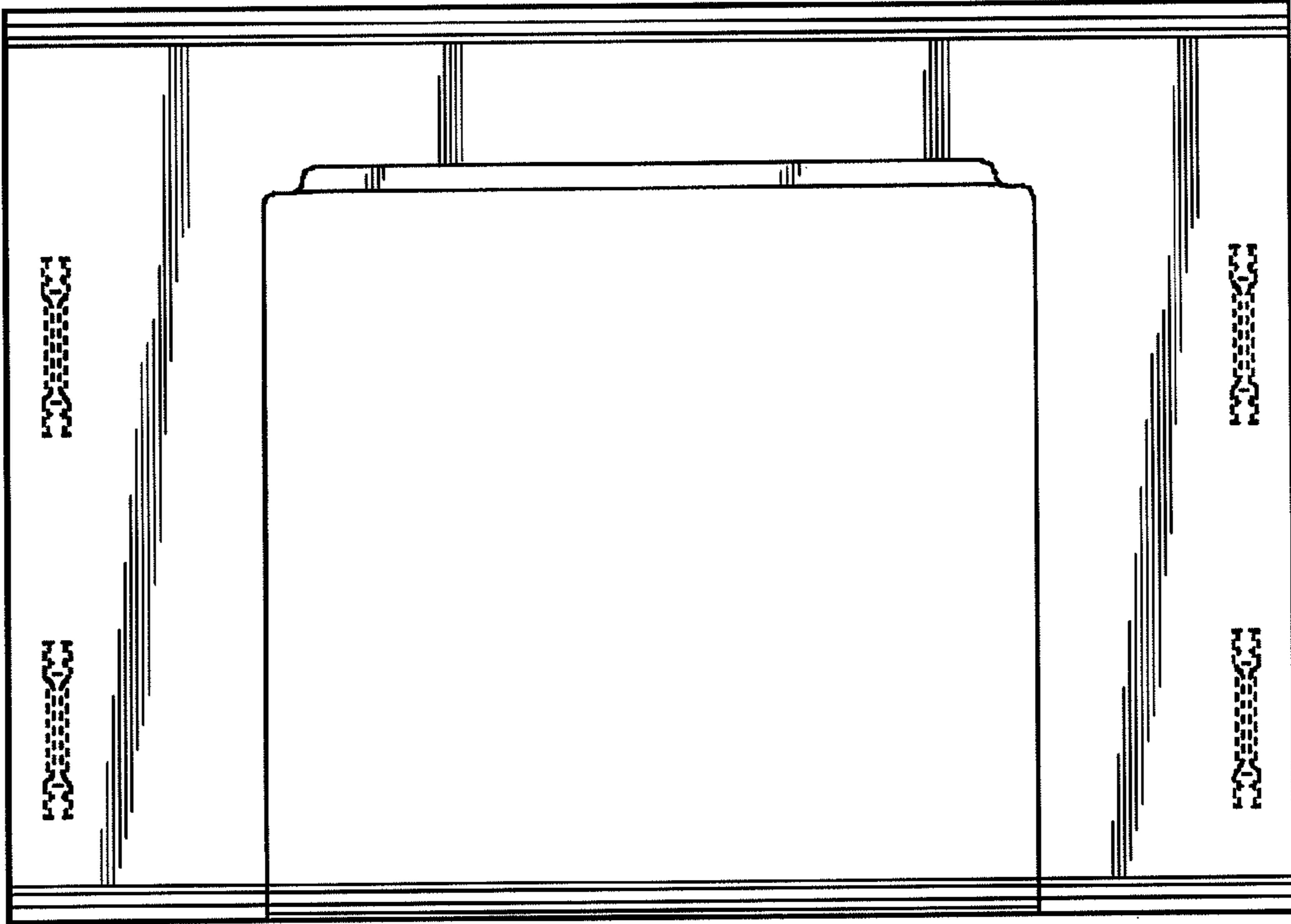


FIG. 5

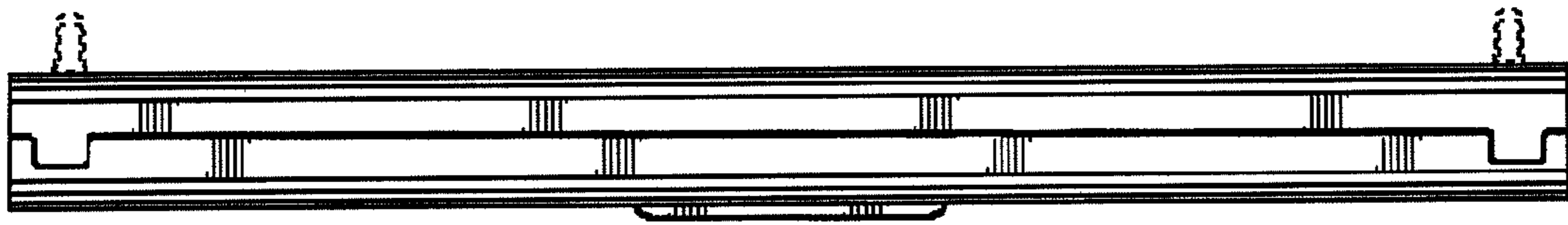


FIG. 6

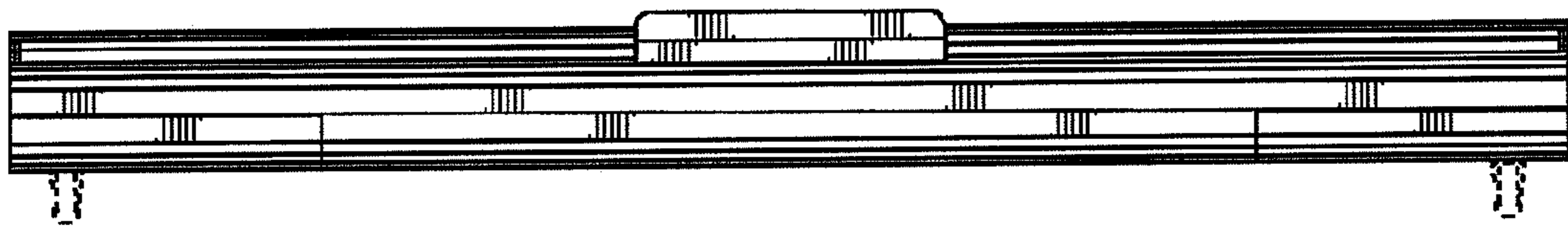


FIG. 7