



US00D646676S

(12) **United States Design Patent**  
**Hancock**

(10) **Patent No.:** **US D646,676 S**

(45) **Date of Patent:** **\*\* Oct. 11, 2011**

(54) **DVR FRONT PANEL**

(75) Inventor: **Jessica Hancock**, Fort Erie (CA)

(73) Assignee: **Circus World Displays Limited**,  
Niagara Falls, Ontario (CA)

(\*\*) Term: **14 Years**

(21) Appl. No.: **29/368,613**

(22) Filed: **Aug. 26, 2010**

(51) **LOC (9) Cl.** ..... **14-99**

(52) **U.S. Cl.** ..... **D14/257**

(58) **Field of Classification Search** ..... D14/124,  
D14/125, 135, 155, 159, 168, 188, 257-260,  
D14/265, 299, 239, 496, 203.1-203.8; 273/148 B;  
463/29-35, 46, 47; 455/6.1, 344-348; 312/7.1  
See application file for complete search history.

(56) **References Cited**

**U.S. PATENT DOCUMENTS**

D408,037 S *	4/1999	Althans et al. ....	D14/257
D412,327 S *	7/1999	Curbbun et al. ....	D14/496
D462,264 S *	9/2002	Barr et al. ....	D9/416
6,707,022 B2 *	3/2004	Perregaux ....	250/208.1

D530,294 S *	10/2006	Ryu .....	D14/506
D531,189 S *	10/2006	Depay et al. ....	D14/496
D559,241 S *	1/2008	Paradise .....	D14/257
D573,592 S *	7/2008	Divine et al. ....	D14/257
D619,132 S *	7/2010	Skaf et al. ....	D14/257

\* cited by examiner

*Primary Examiner* — Prabhakar Deshmukh

(74) *Attorney, Agent, or Firm* — Hodgson Russ LLP

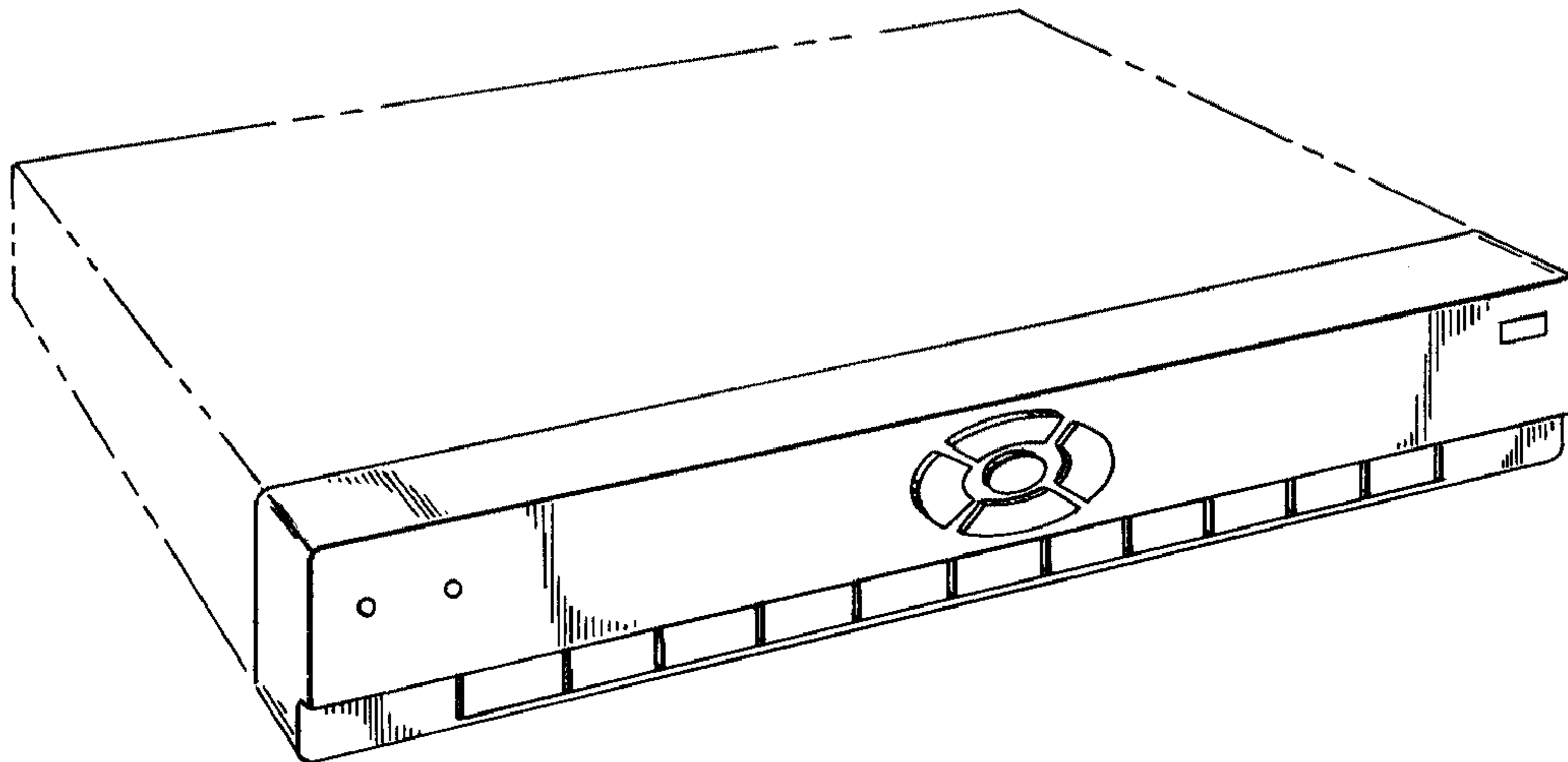
(57) **CLAIM**

The ornamental design for a DVR front panel, as shown and described.

**DESCRIPTION**

FIG. 1 is a right front perspective view of a DVR front panel showing my new design, the dotted portion is for reference only and does not form a part of my design; FIG. 2 is a top plan view thereof; FIG. 3 is a bottom plan view thereof; FIG. 4 is a right end plan view thereof; and, FIG. 5 is a left end plan view thereof. The back side is not shown and does not form a part of the design.

**1 Claim, 1 Drawing Sheet**



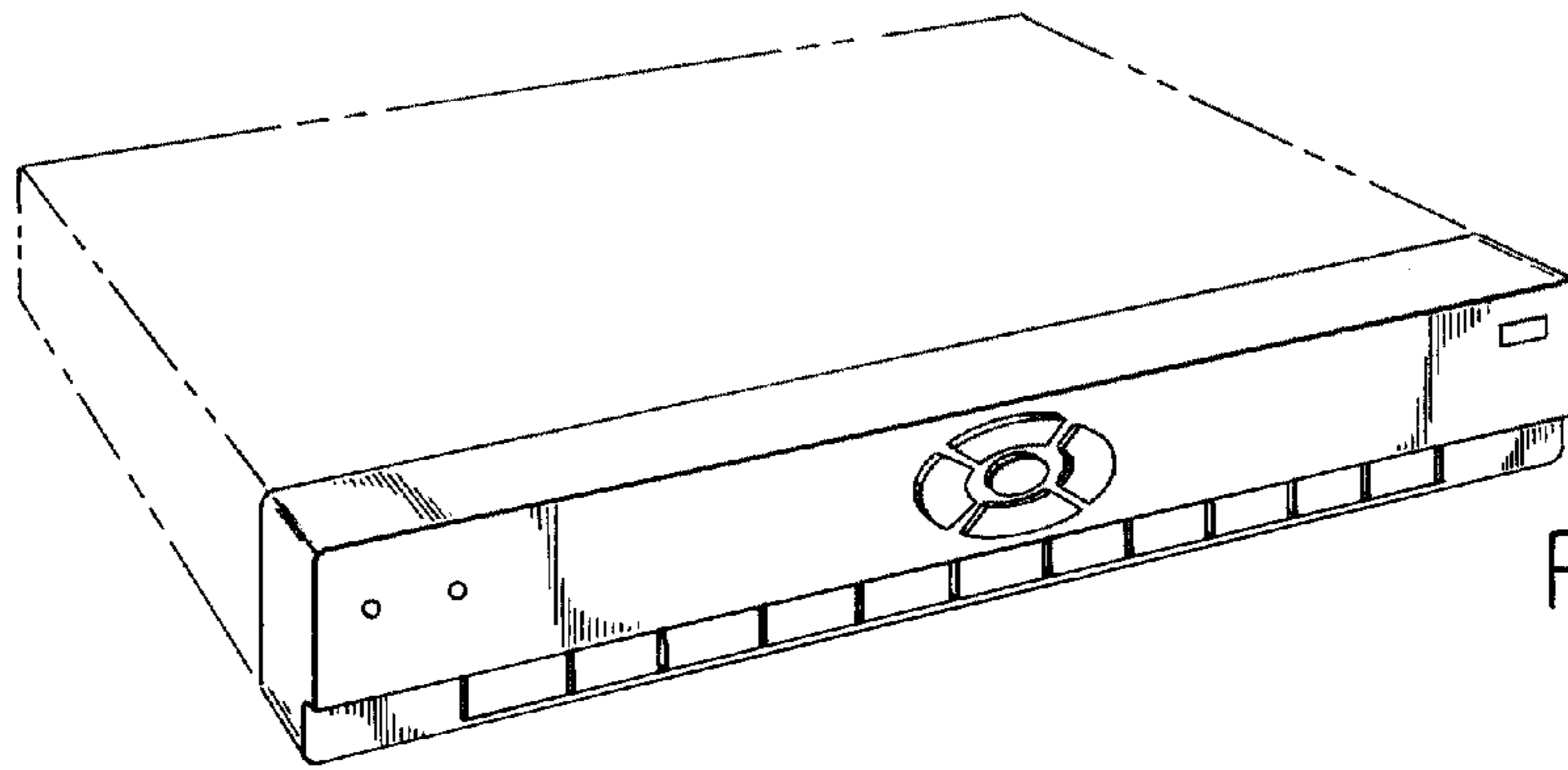


FIG. 1



FIG. 2



FIG. 3

FIG. 4

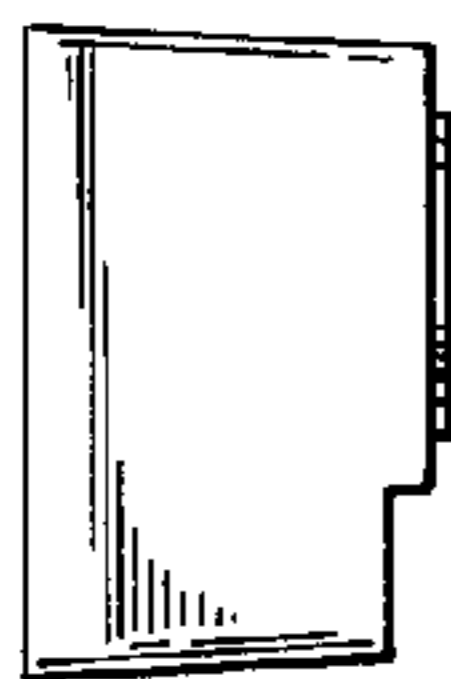


FIG. 5

