



US00D646675S

(12) **United States Design Patent**
Elias et al.

(10) **Patent No.:** **US D646,675 S**
(45) **Date of Patent:** **** Oct. 11, 2011**

(54) **AUDIO PLAYER**

(75) Inventors: **Aleix Ingles Elias**, Surrey (GB);
Hiroaki Yokota, Tokyo (JP)

(73) Assignee: **Sony Corporation**, Tokyo (JP)

(**) Term: **14 Years**

(21) Appl. No.: **29/347,628**

(22) Filed: **Mar. 19, 2010**

(30) **Foreign Application Priority Data**

Dec. 25, 2009 (JP) D2009-030254
Dec. 25, 2009 (JP) D2009-030255
Dec. 25, 2009 (JP) D2009-030256

(51) **LOC (9) Cl.** **14-01**

(52) **U.S. Cl.** **D14/257**

(58) **Field of Classification Search** D13/177,
D13/182; D14/168, 157, 188, 197-198,
D14/257-258, 496, 498-511, 348, 356, 365,
D14/367-368; 360/99.02; 369/75.11, 75.21,
369/77.11, 77.21; 455/344, 347-351
See application file for complete search history.

(56) **References Cited**

U.S. PATENT DOCUMENTS

D373,589 S * 9/1996 Peterson et al. D14/257
D416,557 S 11/1999 Matsuoka
D423,006 S 4/2000 Matsuoka
D423,009 S 4/2000 Tejima
D435,840 S * 1/2001 Ishibashi et al. D14/168

D441,351 S 5/2001 Ito et al.
D509,209 S 9/2005 Hibino
D512,045 S 11/2005 Motoishi
D516,537 S 3/2006 Katsuraku
D516,539 S 3/2006 Masui
D536,699 S * 2/2007 Silva et al. D14/257
D538,255 S * 3/2007 Matsuoka D14/506
D547,300 S 7/2007 Hibino
D599,747 S * 9/2009 Vigil D13/177

FOREIGN PATENT DOCUMENTS

JP D1278173 S 8/2006
JP D1278627 S 8/2006
JP D1278718 S 8/2006

* cited by examiner

Primary Examiner — Nanda Bondade

(74) *Attorney, Agent, or Firm* — Rader, Fishman & Grauer
PLLC

(57) **CLAIM**

The ornamental design for an audio player, as shown and described.

DESCRIPTION

FIG. 1 is a perspective view of an audio player showing our new design;
FIG. 2 is a front elevational view thereof;
FIG. 3 is a left side elevational view thereof;
FIG. 4 is a right side elevational view thereof;
FIG. 5 is a top plan view thereof; and,
FIG. 6 is a bottom plan view thereof.
Portions in broken lines are for illustrative purpose only and form no part of the claimed design.

1 Claim, 6 Drawing Sheets

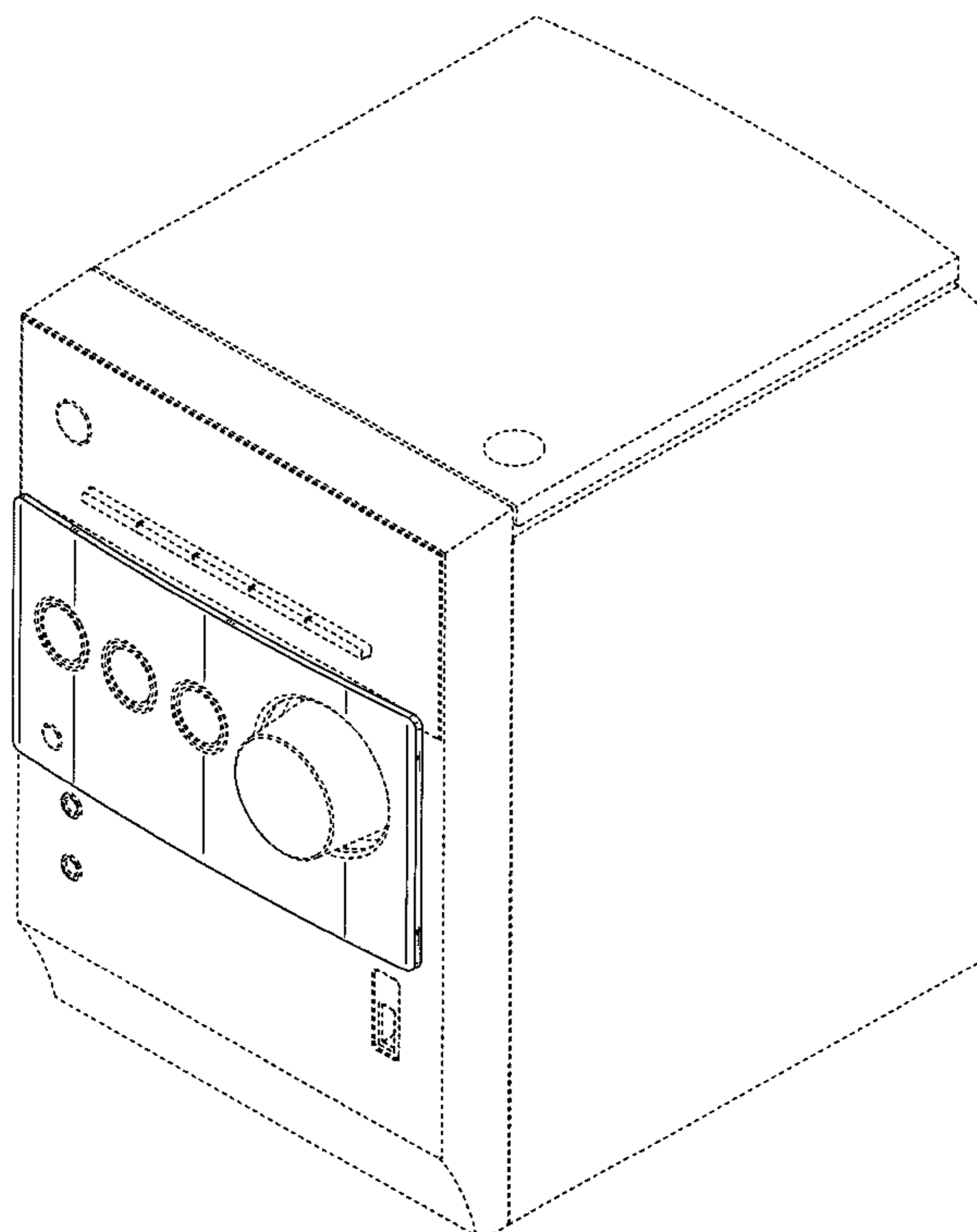


FIG.1

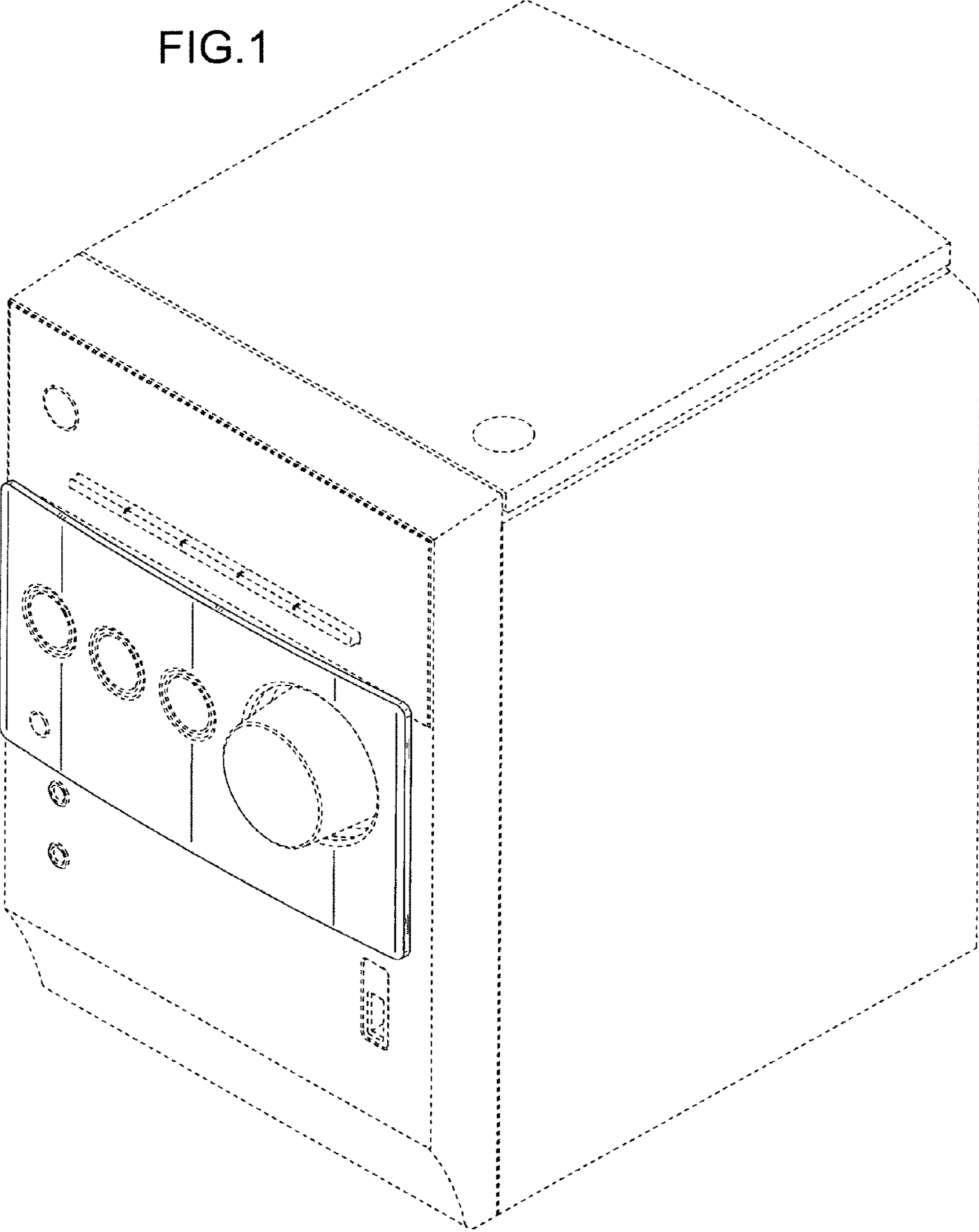


FIG.2

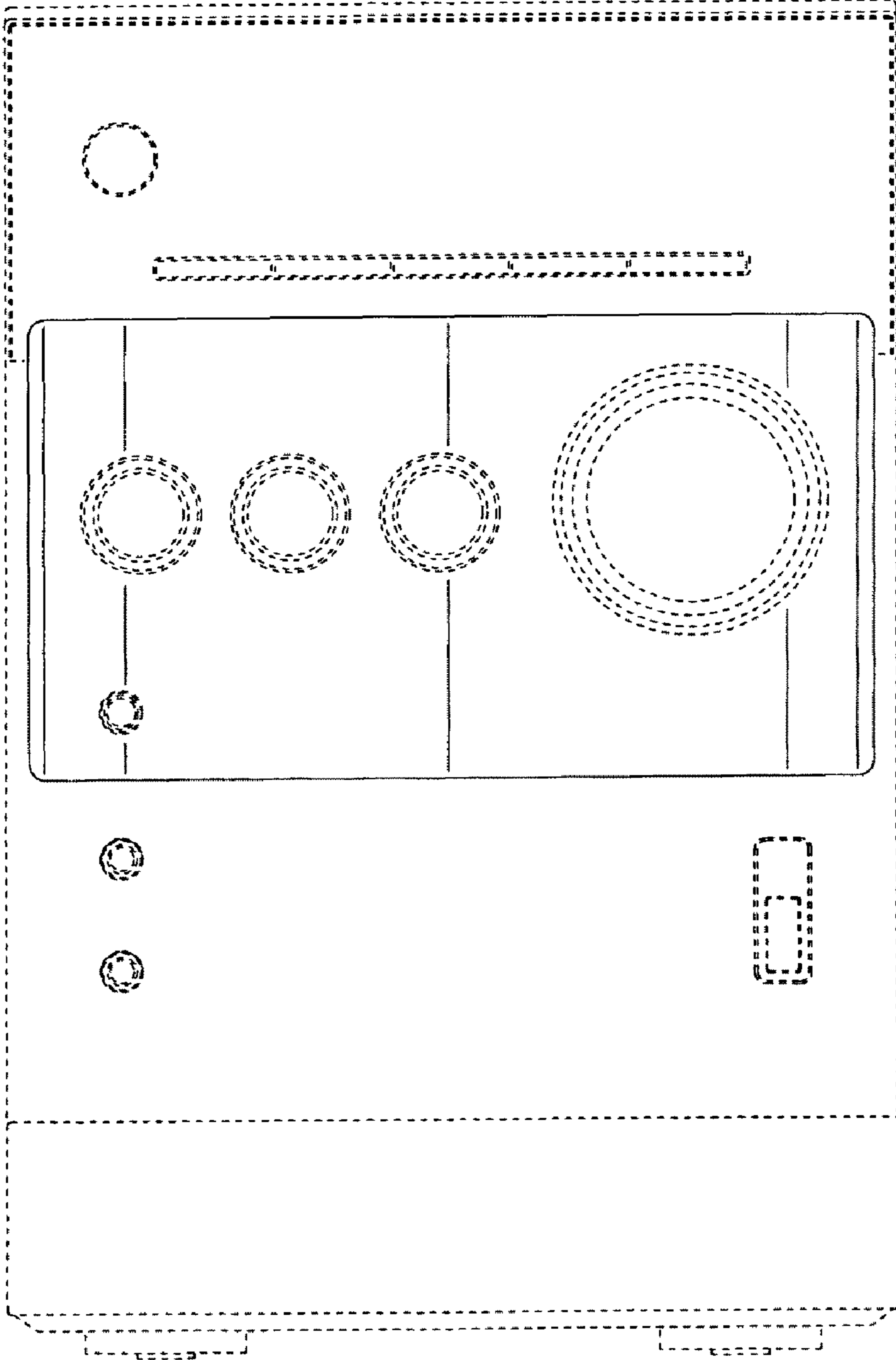


FIG.3

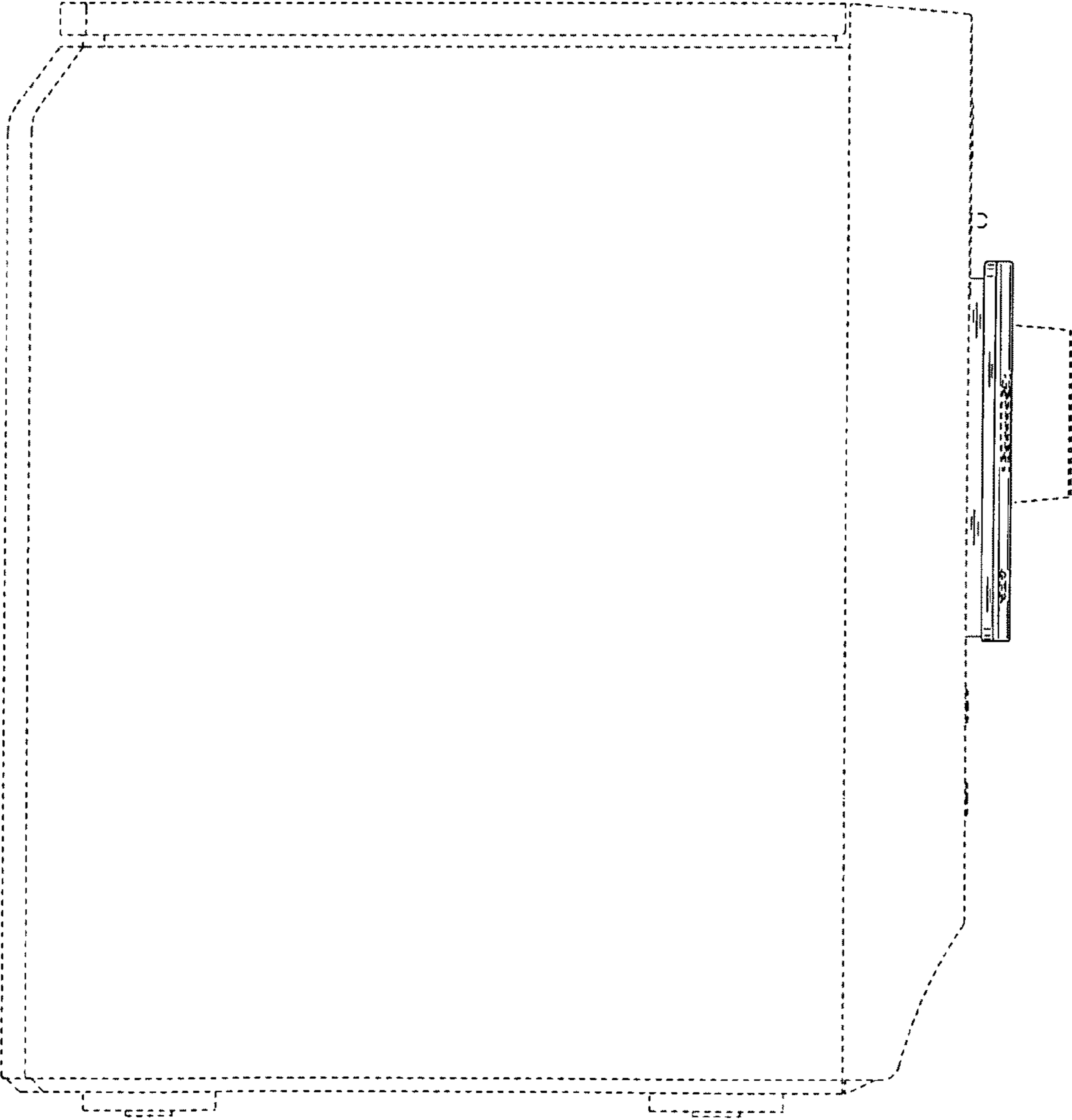


FIG.4

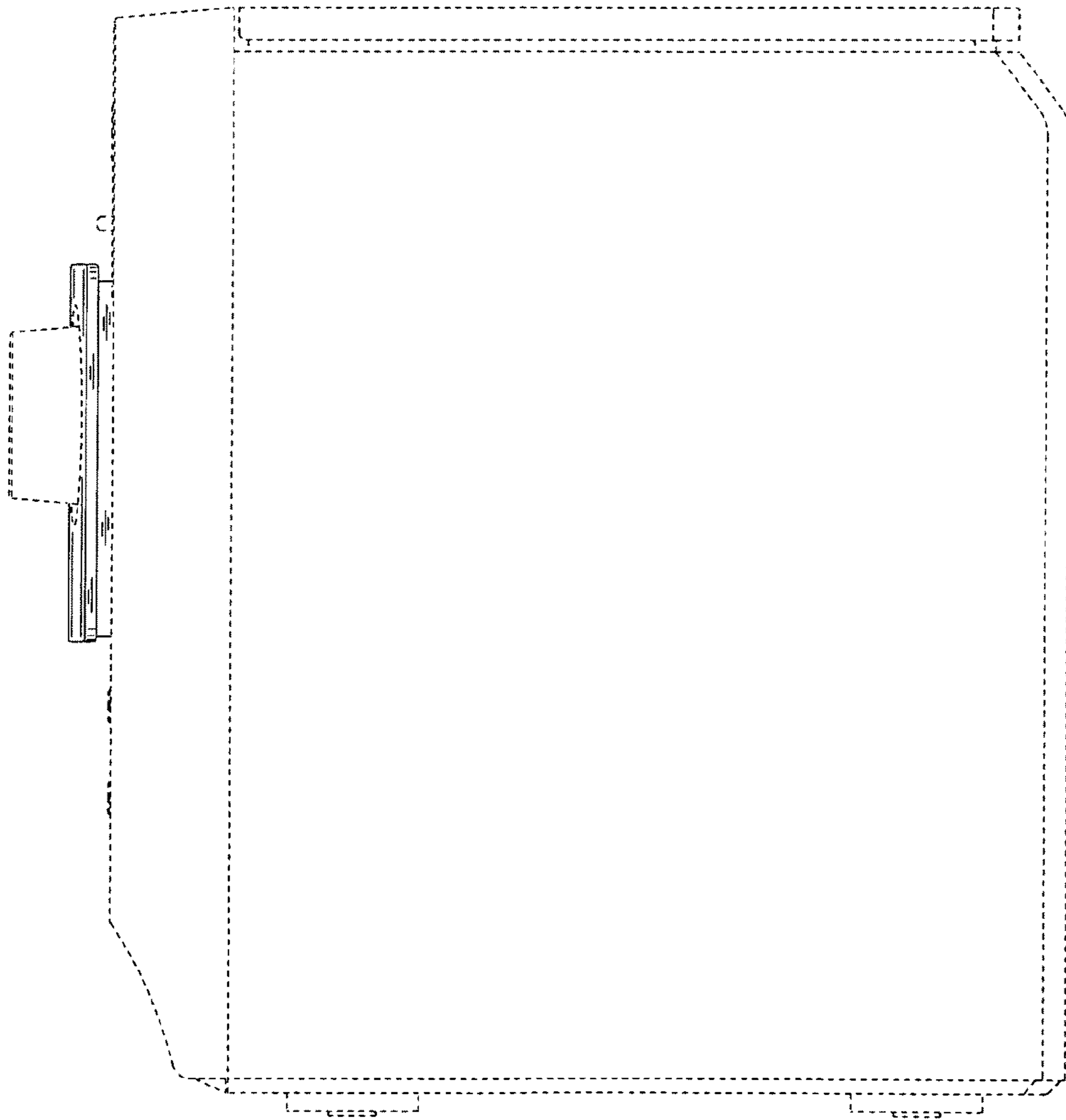


FIG.5

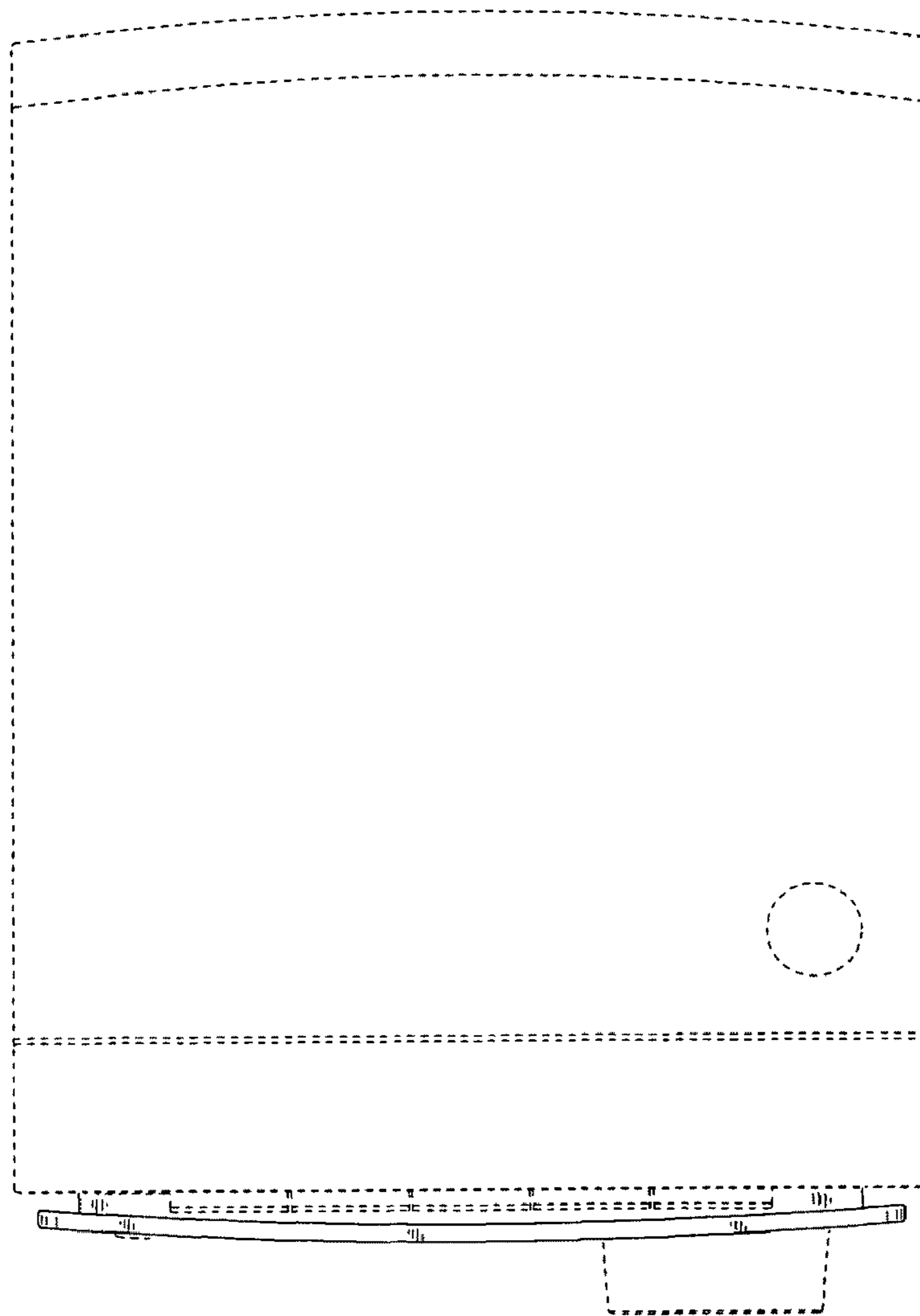


FIG.6

