



US00D646674S

(12) **United States Design Patent**
Liao

(10) **Patent No.:** **US D646,674 S**

(45) **Date of Patent:** **** Oct. 11, 2011**

(54) **HOLDER**

(75) Inventor: **Gordon Liao**, Tainan Hsien (TW)

(73) Assignee: **Unique Product & Design Co., Ltd.**,
Yung Kang, Tainan Hsian (TW)

(**) Term: **14 Years**

(21) Appl. No.: **29/364,709**

(22) Filed: **Jun. 28, 2010**

(51) **LOC (9) Cl.** **14-01**

(52) **U.S. Cl.** **D14/253**

(58) **Field of Classification Search** D14/149,
D14/250-253, 299, 452, 454, 447; D8/355,
D8/363, 373, 380; D19/85; D12/415, 425;
248/206.2, 220.21, 279.1, 121, 131, 157;
379/426, 446, 454, 455, 449; 224/571; D6/466,
D6/467

See application file for complete search history.

(56) **References Cited**

U.S. PATENT DOCUMENTS

D605,645 S * 12/2009 Kettula D14/253
D606,065 S * 12/2009 Rihu D14/253

D614,613 S * 4/2010 Kim et al. D14/253
D634,315 S * 3/2011 Nousiainen D14/253
D637,593 S * 5/2011 Zanetti D14/253
D641,044 S * 7/2011 Rubio et al. D19/85

* cited by examiner

Primary Examiner — Susan Bennett Hattan

Assistant Examiner — Barbara B Lohr

(74) *Attorney, Agent, or Firm* — Alan Kamrath; Kamrath &
Associates PA

(57) **CLAIM**

The ornamental design for a holder, as shown and described.

DESCRIPTION

FIG. 1 is a perspective view of a holder showing my new design;

FIG. 2 is a front elevational view thereof;

FIG. 3 is a rear elevational view thereof;

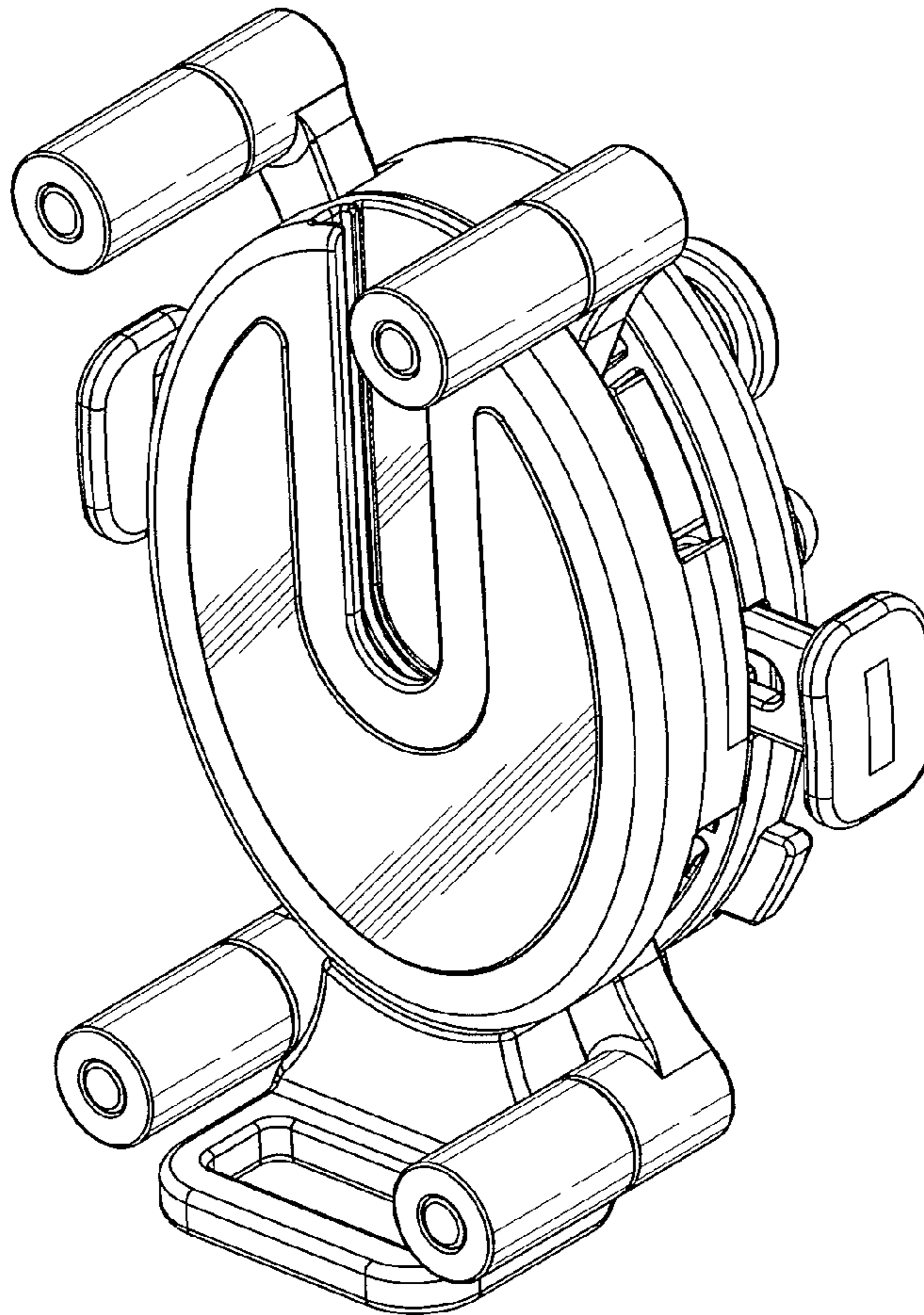
FIG. 4 is a left side elevational view thereof;

FIG. 5 is a right side elevational view thereof;

FIG. 6 is a top plan view thereof; and,

FIG. 7 is a bottom plan view thereof.

1 Claim, 6 Drawing Sheets



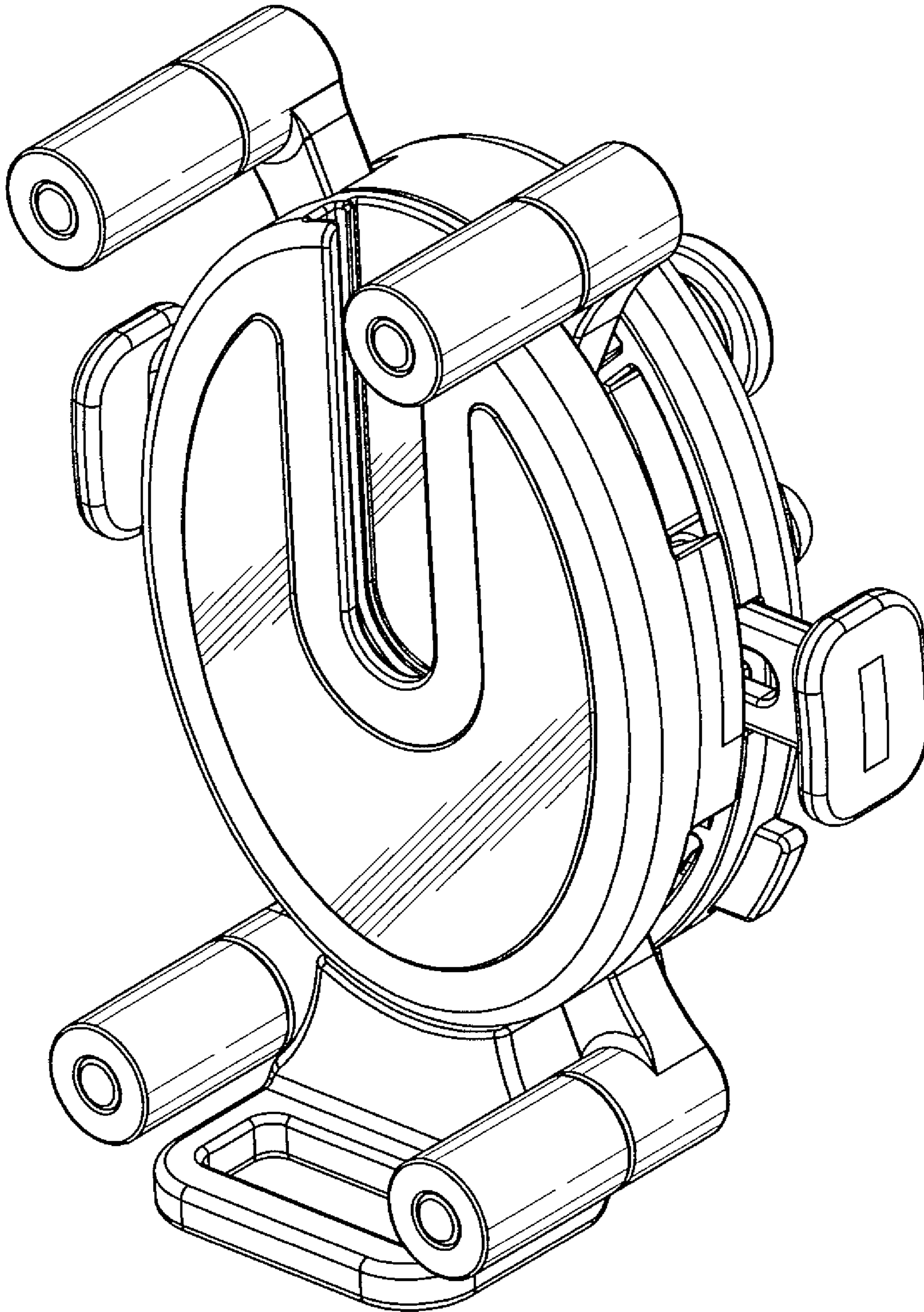


FIG. 1

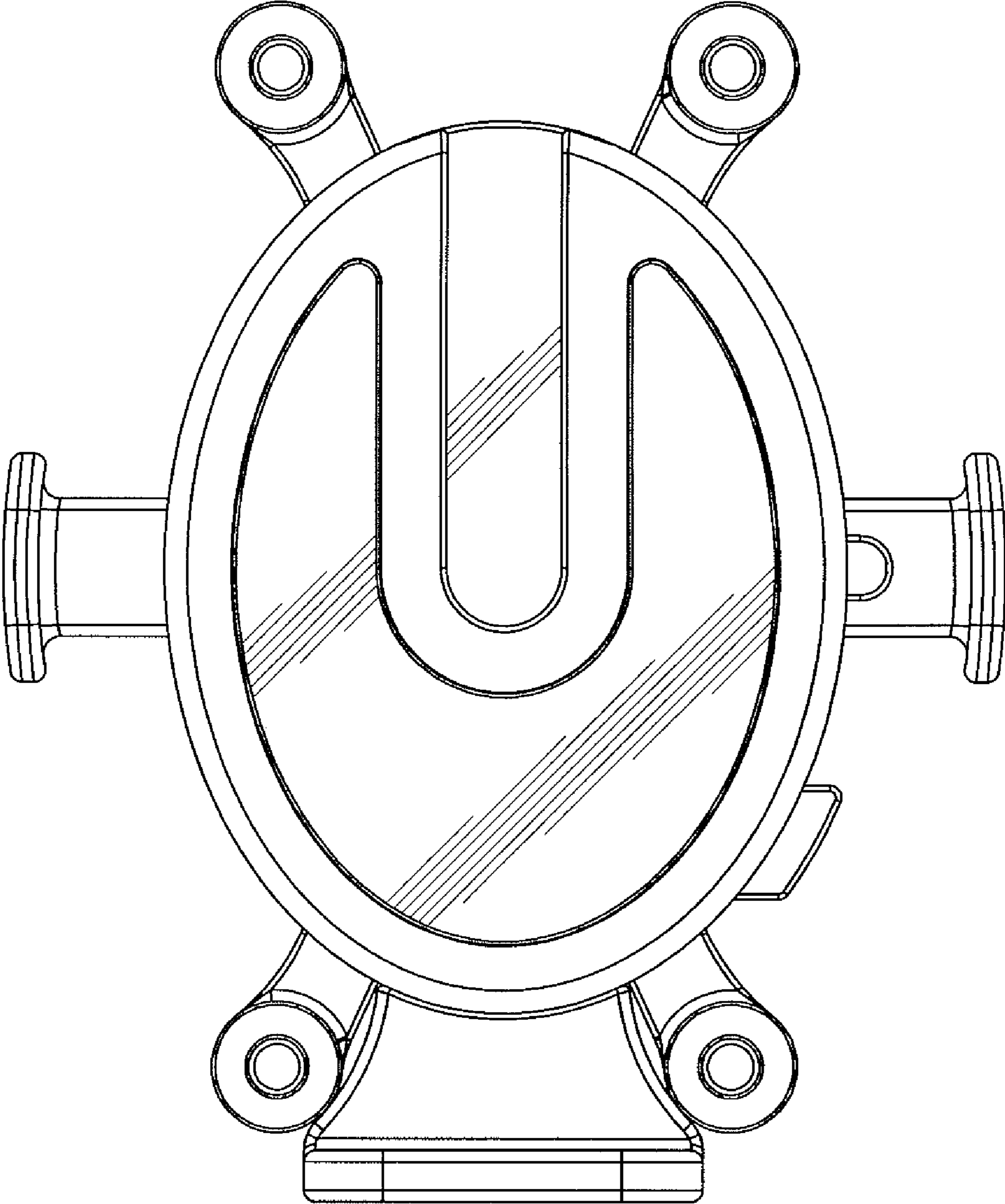


FIG. 2

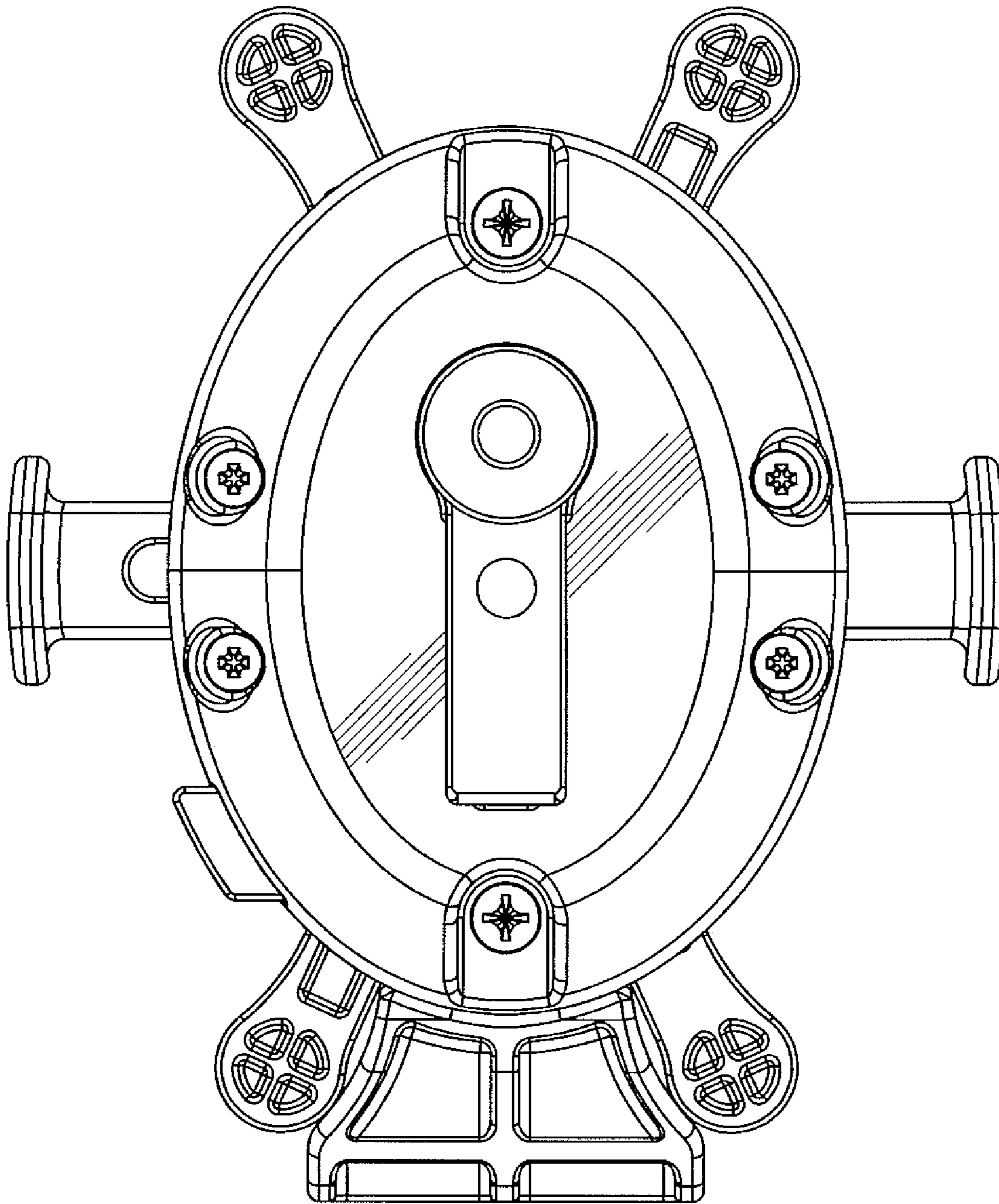


FIG. 3

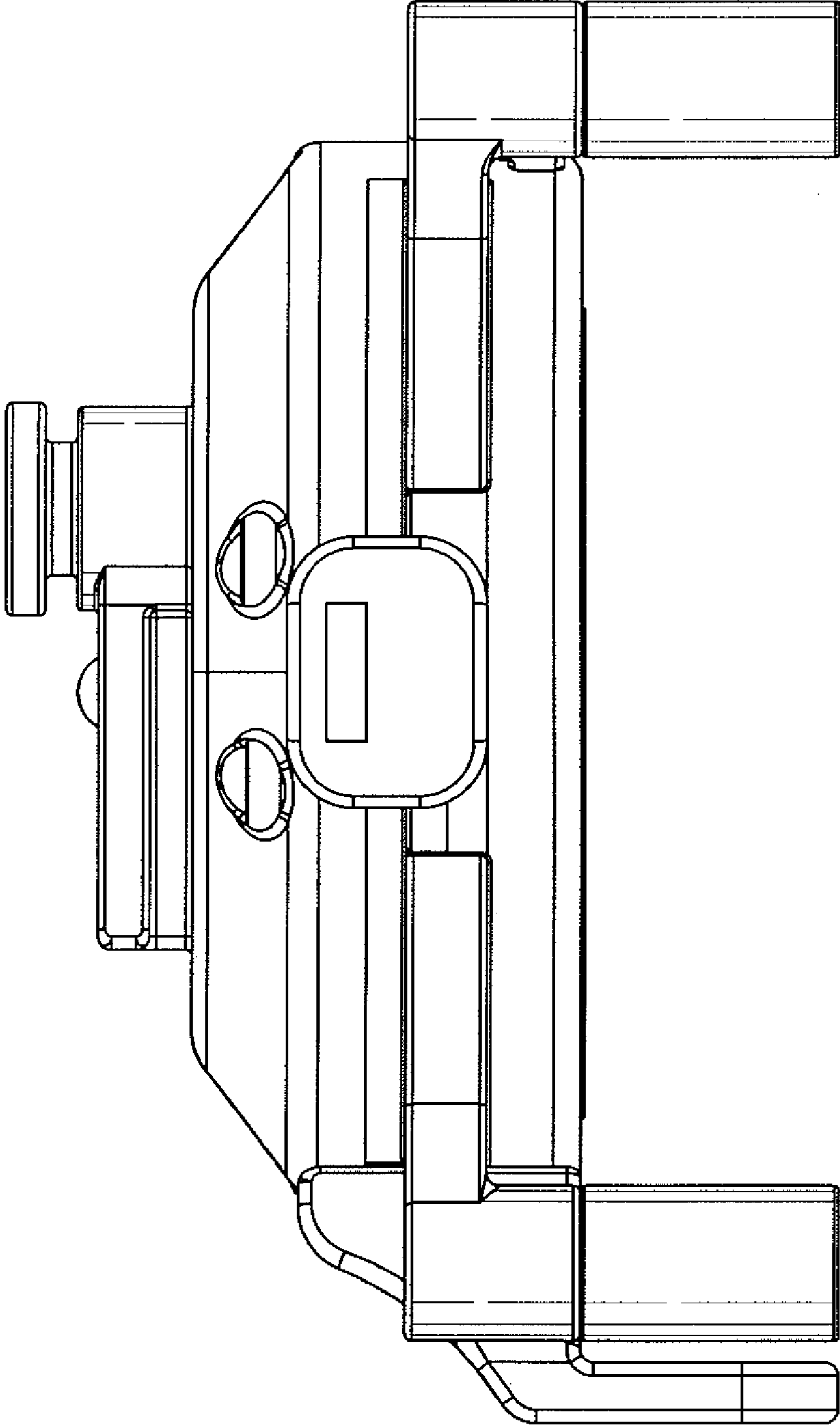


FIG. 4

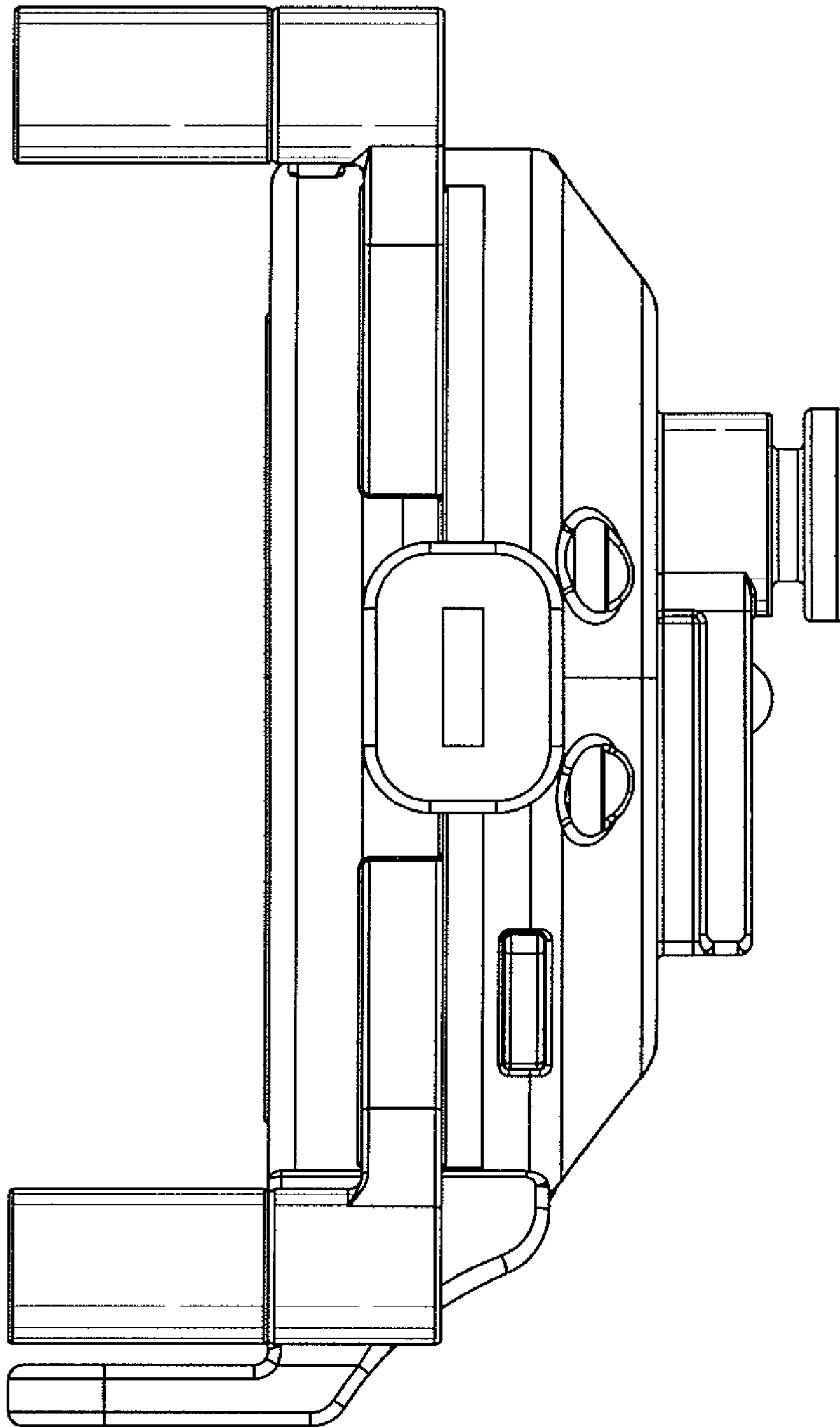


FIG. 5

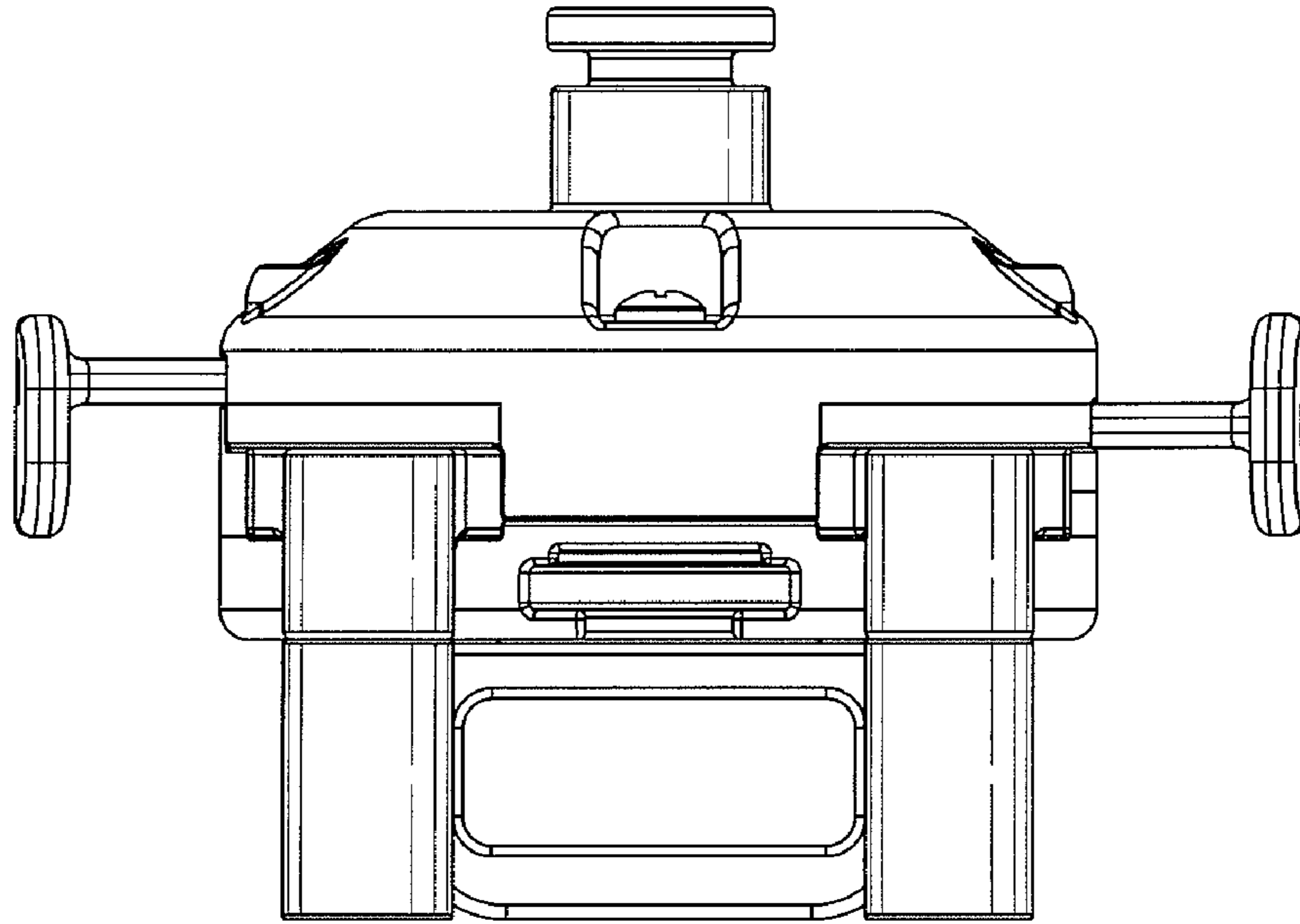


FIG. 6

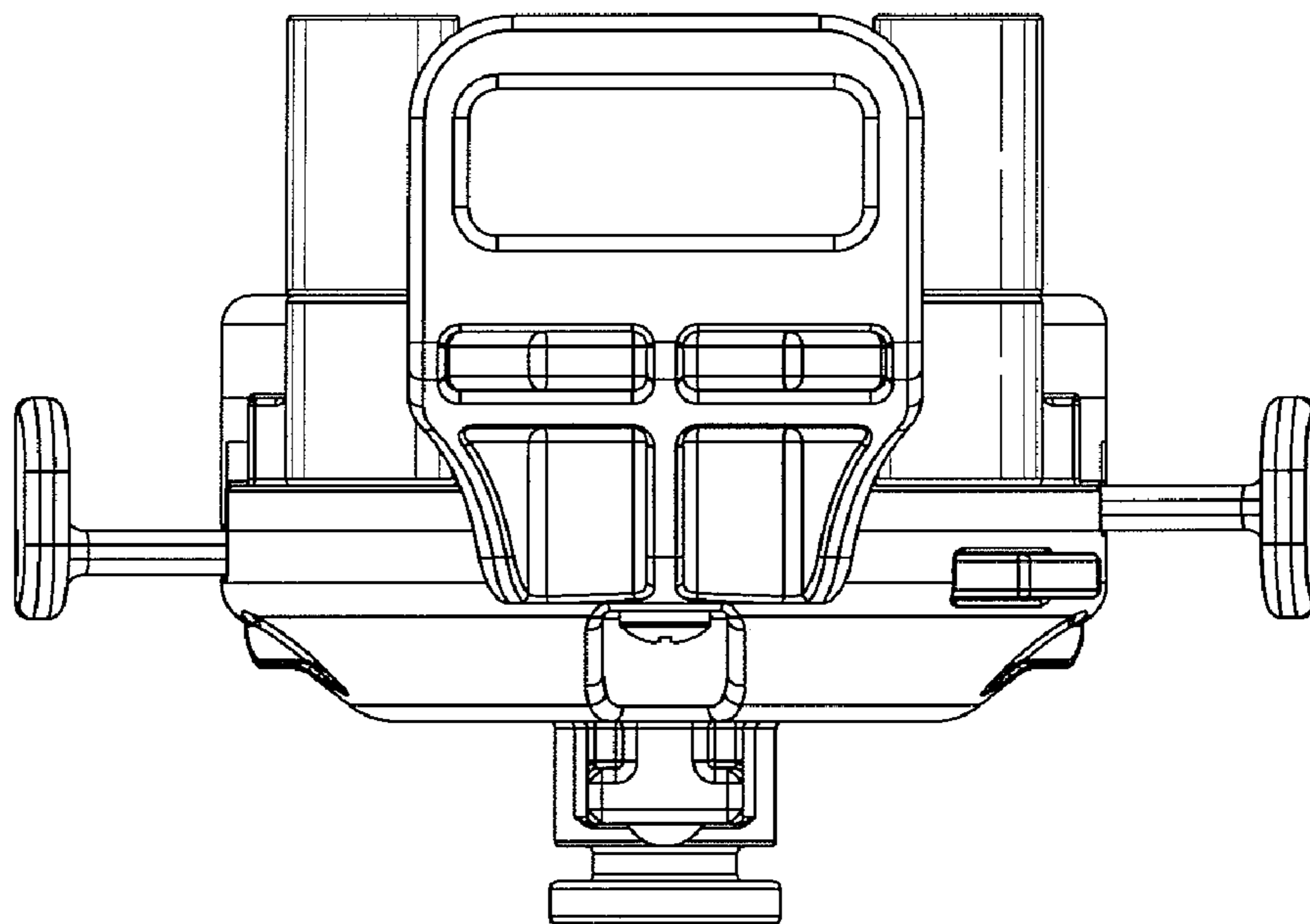


FIG. 7