



US00D646673S

(12) **United States Design Patent**
Fathollahi

(10) **Patent No.:** **US D646,673 S**

(45) **Date of Patent:** **** *Oct. 11, 2011**

(54) **CASE**

(75) Inventor: **Andy Fathollahi**, Irvine, CA (US)

(73) Assignee: **Incipio Technologies, Inc.**, Irvine, CA (US)

(*) Notice: This patent is subject to a terminal disclaimer.

(**) Term: **14 Years**

(21) Appl. No.: **29/356,886**

(22) Filed: **Mar. 3, 2010**

(51) **LOC (9) Cl.** **14-03**

(52) **U.S. Cl.** **D14/250**

(58) **Field of Classification Search** D3/201, D3/215, 218, 269, 273, 294; D14/140, 142, D14/203.3, 217, 218, 240, 242, 250-253, D14/299, 358, 440, 450; D13/103, 107, D13/108.119; 220/4.02; 224/119, 191, 240, 224/241, 245, 682, 683; 248/309.1; 361/679.3, 361/679.56; 379/454, 455; 455/575.1, 575.6, 455/575.7, 575.8, 575.9; 190/100; 206/305, 206/320

See application file for complete search history.

(56) **References Cited**

U.S. PATENT DOCUMENTS

D107,221 S	11/1937	Dewsbury
2,967,714 A	1/1961	Rosario
3,192,978 A	7/1965	William-Horvath
D287,905 S	1/1987	Oyamada
D317,255 S	6/1991	Turk
D320,992 S	10/1991	Jondelius
D339,690 S	9/1993	Takahashi et al.
D346,275 S	4/1994	Hayasaka et al.
D371,137 S	6/1996	Kriegh
D387,199 S	12/1997	Nagele et al.
D389,641 S	1/1998	McCutcheon et al.
D392,097 S	3/1998	Pottala et al.

5,755,367 A	5/1998	Yamada
D400,209 S	10/1998	Williams et al.
D400,497 S	11/1998	Sabag et al.
D406,191 S	3/1999	Phillips et al.
D419,290 S	1/2000	Treyer et al.
D434,898 S	12/2000	Jokinen et al.
6,239,968 B1	5/2001	Kim et al.

(Continued)

FOREIGN PATENT DOCUMENTS

WO DM/058570 11/2001

OTHER PUBLICATIONS

BlackBerry Storm Computer Series Case, URL:<http://www.otterbox.com/blackberry-storm-commuter-case/>> Mar. 24, 2010.

(Continued)

Primary Examiner — Raphael Barkai

Assistant Examiner — Randall Gholson

(74) *Attorney, Agent, or Firm* — Knobbe, Martens, Olson & Bear, LLP

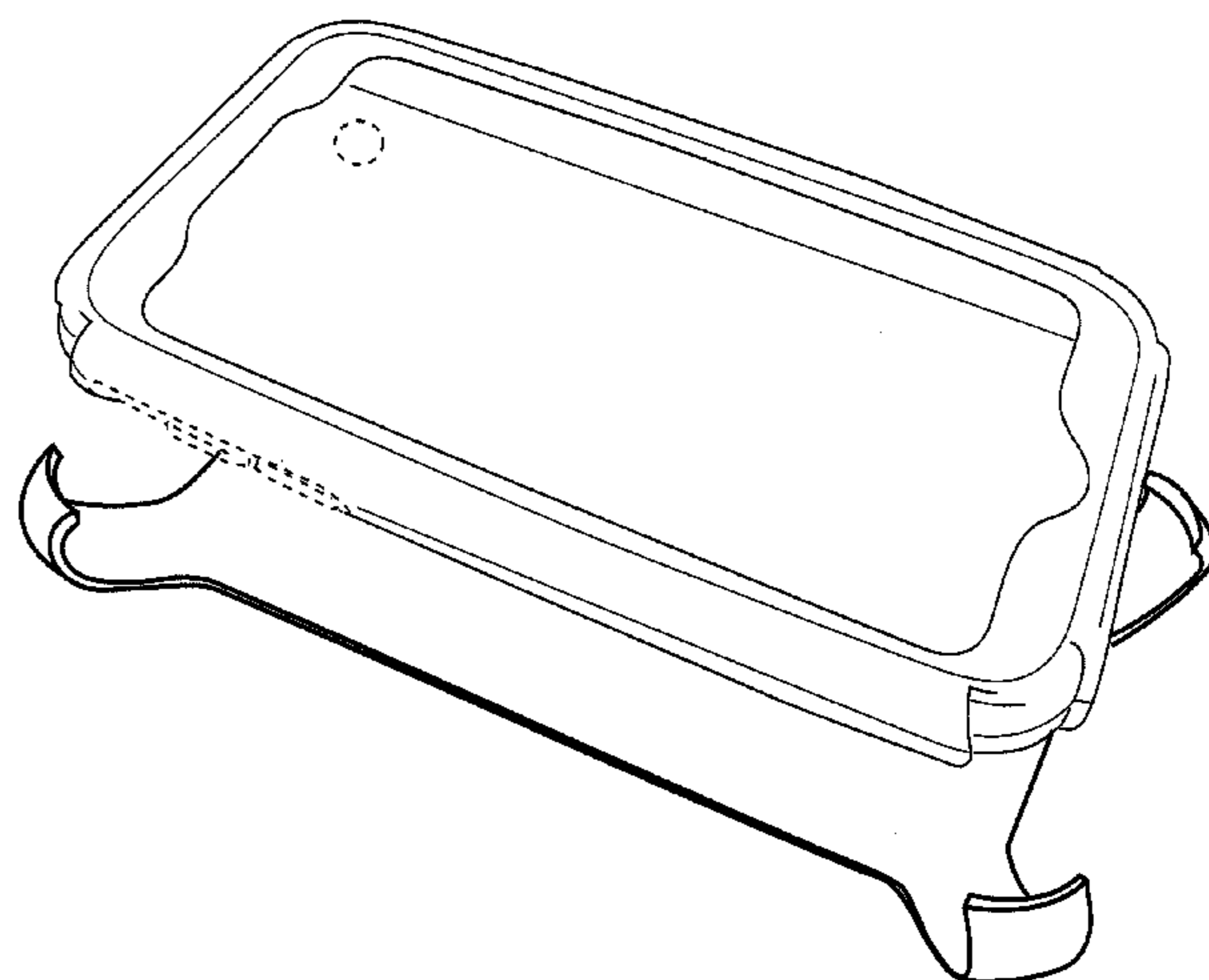
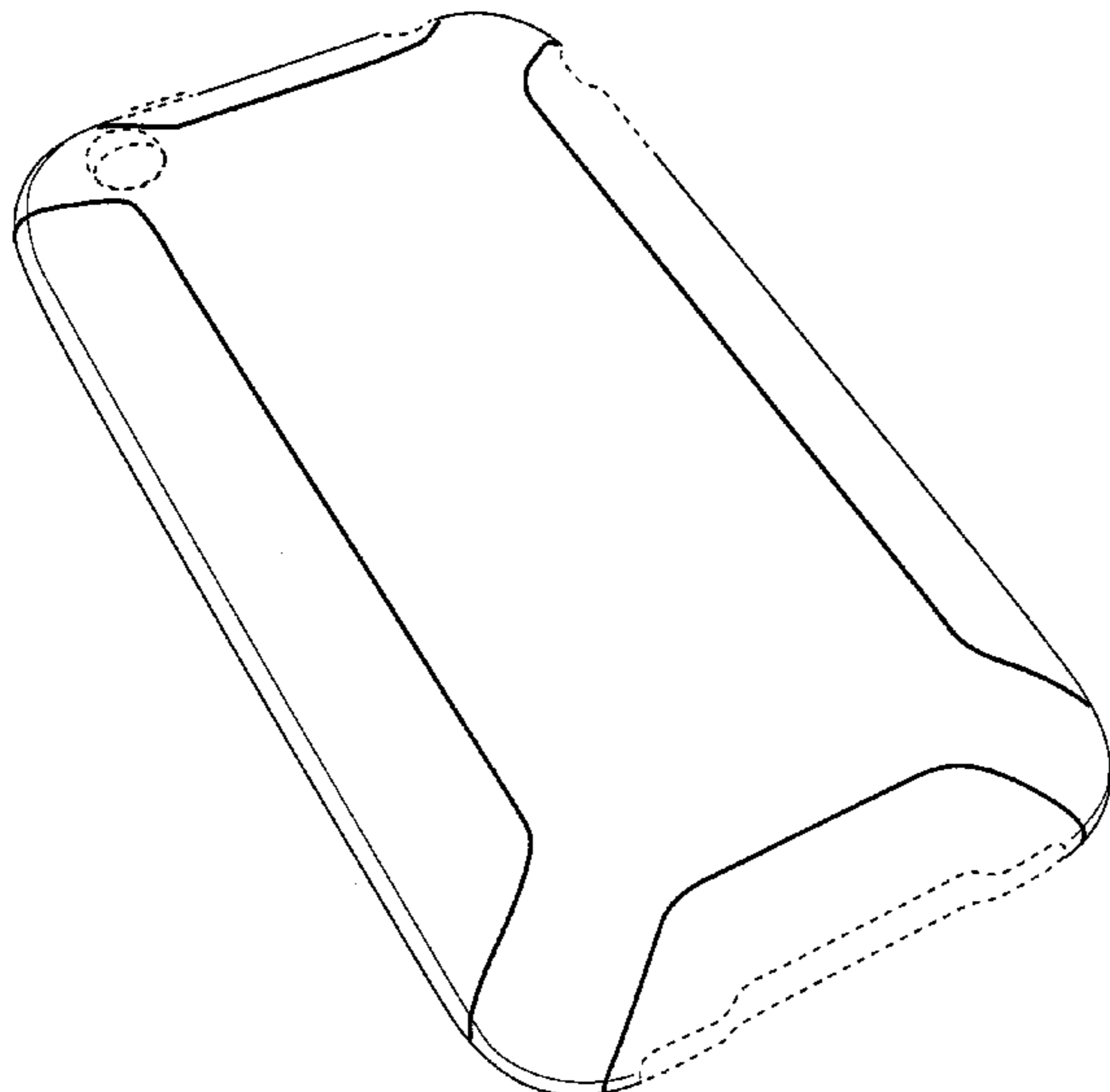
(57) **CLAIM**

I claim the ornamental design for a case, as shown and described.

DESCRIPTION

FIG. 1 is a top end view of a case showing our new design; FIG. 2 is a bottom end view of the case; FIG. 3 is a left side view of the case; FIG. 4 is a right side view of the case; FIG. 5 is a front view of the case; FIG. 6 is a back view of the case; FIG. 7 is a back perspective view of the case; and, FIG. 8 is a front perspective separated view of the case. The broken lines in the FIGURES showing the accessory holes are for illustrative purposes only and form no part of the claimed design.

1 Claim, 6 Drawing Sheets



U.S. PATENT DOCUMENTS

6,273,252 B1 8/2001 Mitchell
D462,514 S 9/2002 Rivera et al.
6,445,577 B1 9/2002 Madsen et al.
6,456,487 B1 9/2002 Hetterick
6,471,056 B1 10/2002 Tzeng
D466,287 S 12/2002 Tanaka
6,519,141 B2 2/2003 Tseng et al.
6,536,589 B2 3/2003 Chang
6,646,864 B2 11/2003 Richardson
D495,871 S 9/2004 Moffitt et al.
D499,546 S 12/2004 Smithers
6,995,976 B2 2/2006 Richardson
D516,554 S 3/2006 Richardson et al.
D521,232 S 5/2006 Andre et al.
D526,780 S 8/2006 Richardson et al.
D529,713 S 10/2006 Guyot et al.
D530,079 S 10/2006 Thomas et al.
7,158,376 B2 1/2007 Richardson et al.
7,180,735 B2 2/2007 Thomas et al.
D541,296 S 4/2007 Kim
D542,524 S 5/2007 Richardson et al.
D543,541 S 5/2007 Chung et al.
7,230,823 B2 6/2007 Richardson et al.
7,261,204 B2 8/2007 Zaidi et al.
D553,352 S 10/2007 Allen
D553,357 S 10/2007 Zimmerman
7,312,984 B2 12/2007 Richardson et al.
D561,724 S 2/2008 Kim et al.
D565,290 S 4/2008 Brandenburg et al.
D570,593 S 6/2008 Justiss
D575,056 S 8/2008 Tan
D581,151 S 11/2008 Aipa
D581,155 S 11/2008 Richardson et al.
D581,421 S 11/2008 Richardson et al.
D587,008 S 2/2009 Richardson et al.
D589,016 S 3/2009 Richardson et al.
D593,319 S 6/2009 Richardson et al.
D593,746 S 6/2009 Richardson et al.
D597,089 S 7/2009 Khan et al.
D597,301 S 8/2009 Richardson et al.
D598,407 S 8/2009 Richardson et al.
D600,908 S 9/2009 Richardson et al.
7,609,512 B2 10/2009 Richardson et al.
D603,602 S 11/2009 Richardson et al.

D603,603 S 11/2009 Laine et al.
D605,850 S 12/2009 Richardson et al.
D606,529 S 12/2009 Ferrari et al.
D607,446 S 1/2010 Ferrari et al.
D609,463 S 2/2010 Bullen
D609,464 S 2/2010 Bullen
7,663,879 B2 2/2010 Richardson et al.
D610,807 S 3/2010 Bau
D611,042 S 3/2010 Ferrari et al.
D611,478 S 3/2010 Richardson et al.
7,688,580 B2 3/2010 Richardson et al.
D615,536 S 5/2010 Richardson et al.
D616,361 S 5/2010 Huang
2003/0151890 A1 8/2003 Huang et al.
2004/0057199 A1 3/2004 Azuchi
2005/0247584 A1 11/2005 Lu
2006/0231713 A1 10/2006 Crain et al.
2007/0165367 A1 7/2007 Chung
2008/0316687 A1 12/2008 Richardson et al.
2009/0009945 A1 1/2009 Johnson et al.
2009/0034169 A1 2/2009 Richardson et al.
2009/0080153 A1 3/2009 Richardson et al.
2009/0111543 A1 4/2009 Tai et al.
2009/0154095 A1 6/2009 Would
2010/0008028 A1 1/2010 Richardson et al.
2010/0096284 A1 4/2010 Bau

OTHER PUBLICATIONS

Incipio Holster for Motorola RAZR, URL:http://www.myincipio.com/product/RAZR_HOLSTER_ID-279/Incipio-Ultra-Light-weight-Motorola-V3,v3m-v3i-v3c-RAZR-Magnesium-Play-Thru-Holster-Belt-Carrying-Case--Pink.html, Mar. 24, 2010.
Black dotties™ Silicone Case for Apple iPhone 3G 3GS, <URL:http://www.myincipio.com/product/iPhone_3G-IPH-450, retrieved from internet May 9, 2010.
The OtterBox Commuter Series 3GS for iPhone, <URL:<http://www.otterbox.com/iphone-cases/iphone-3g-3gs-cases>, retrieved from internet May 9, 2010.
Seidio FlexArmor, <URL:<http://www.seidioonline.com/PhotoGallery.asp?>, retrieved from internet May 9, 2010.
Silicylic Polycarbonate Case with Silicone Core for iPhone 3G 3GS—Olive Green, <URL:http://www.myincipio.com/product/IPHONE_3G_IPH-617, retrieved from internet May 9, 2010.

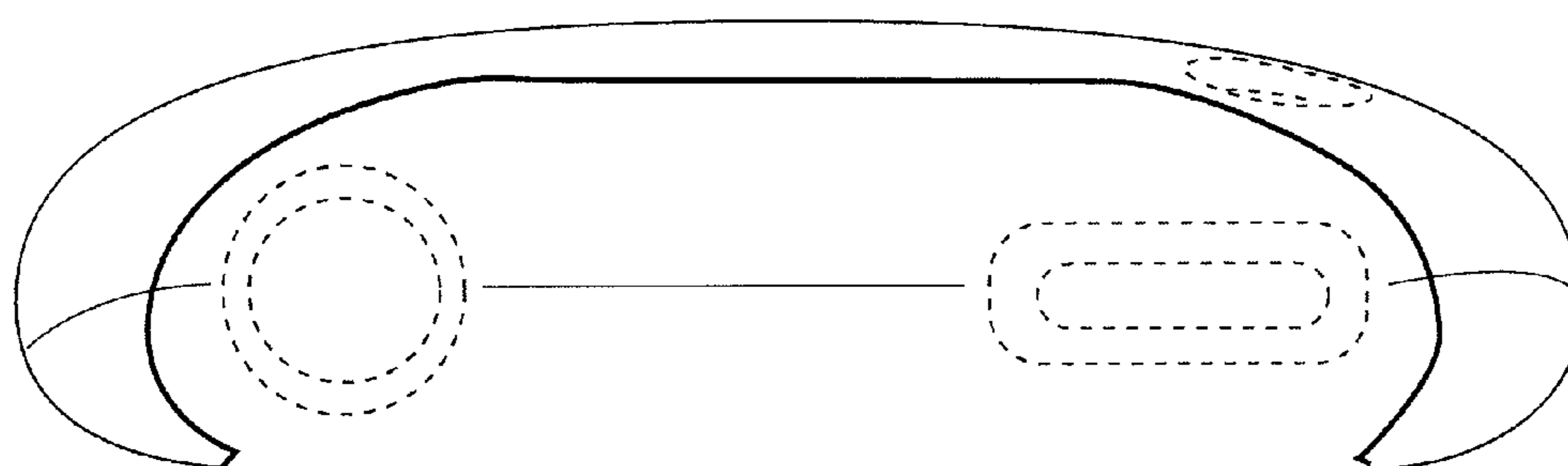


FIG. 1

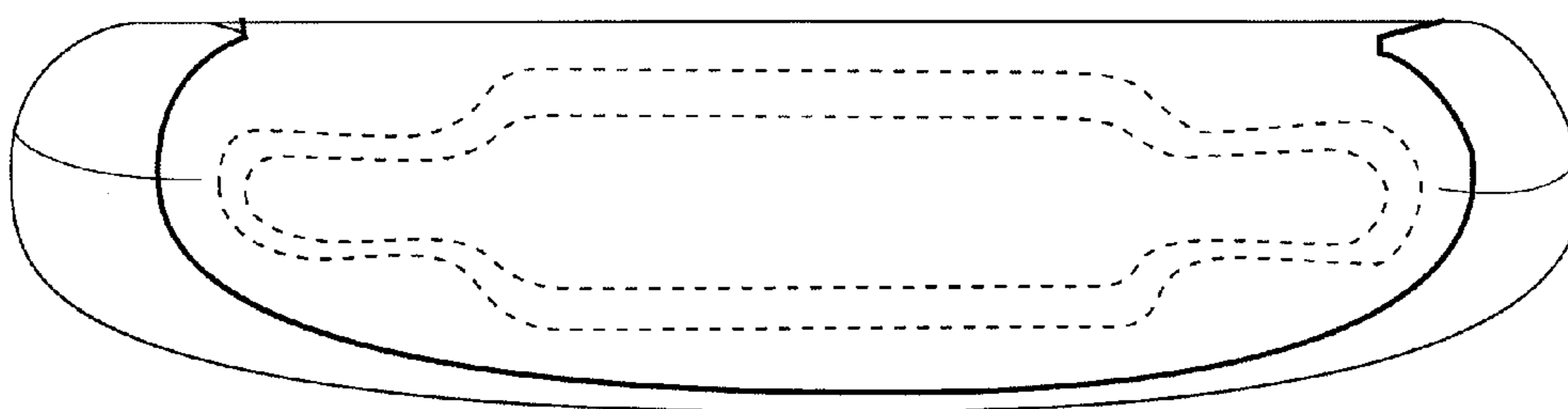


FIG. 2

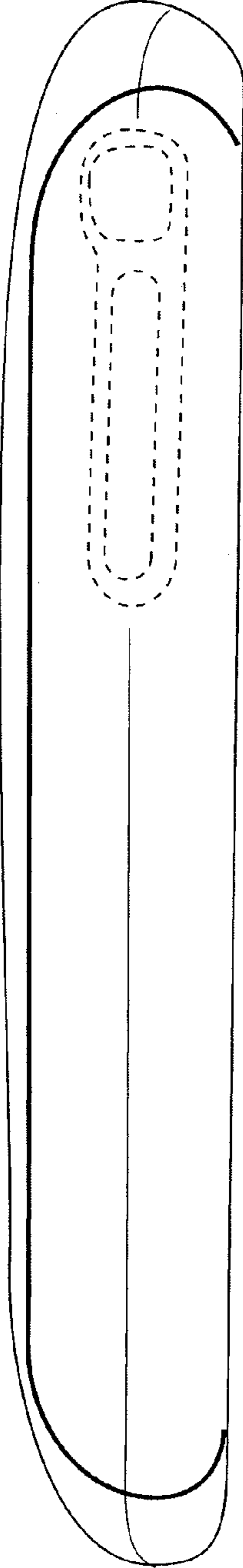


FIG. 3

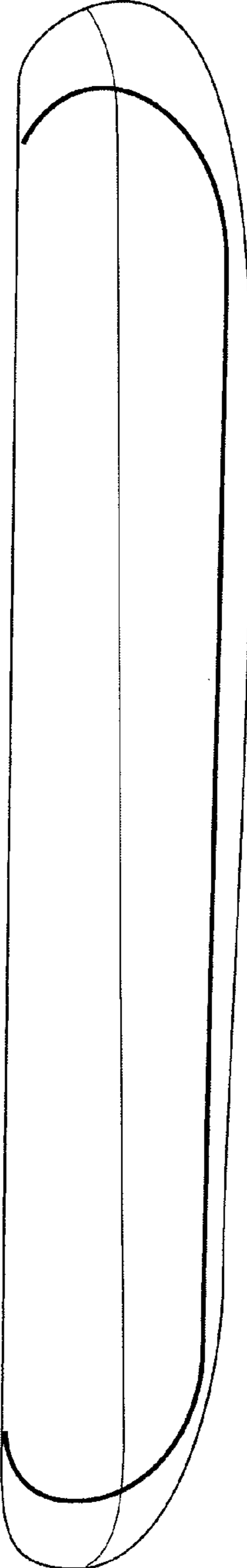


FIG. 4

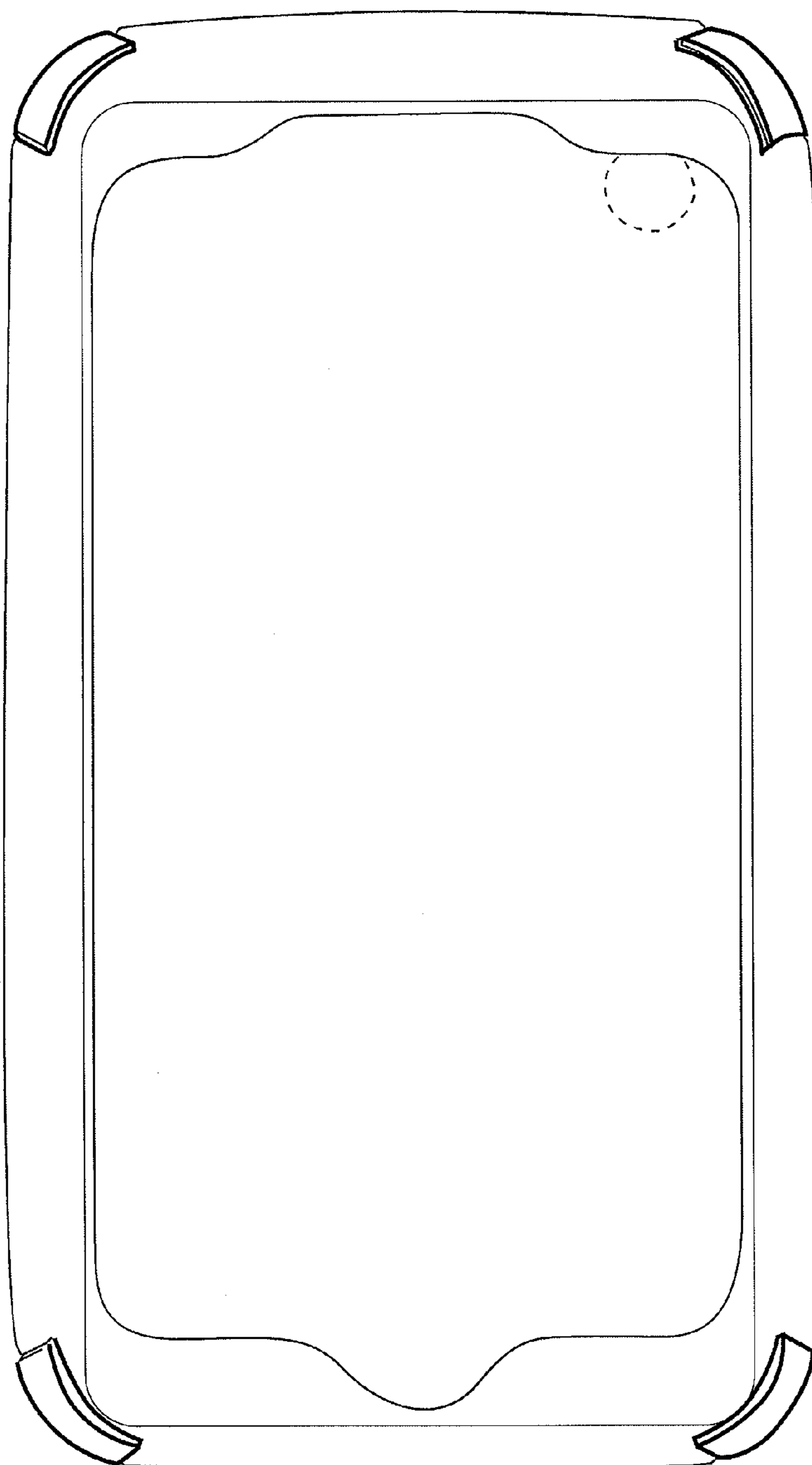


FIG. 5

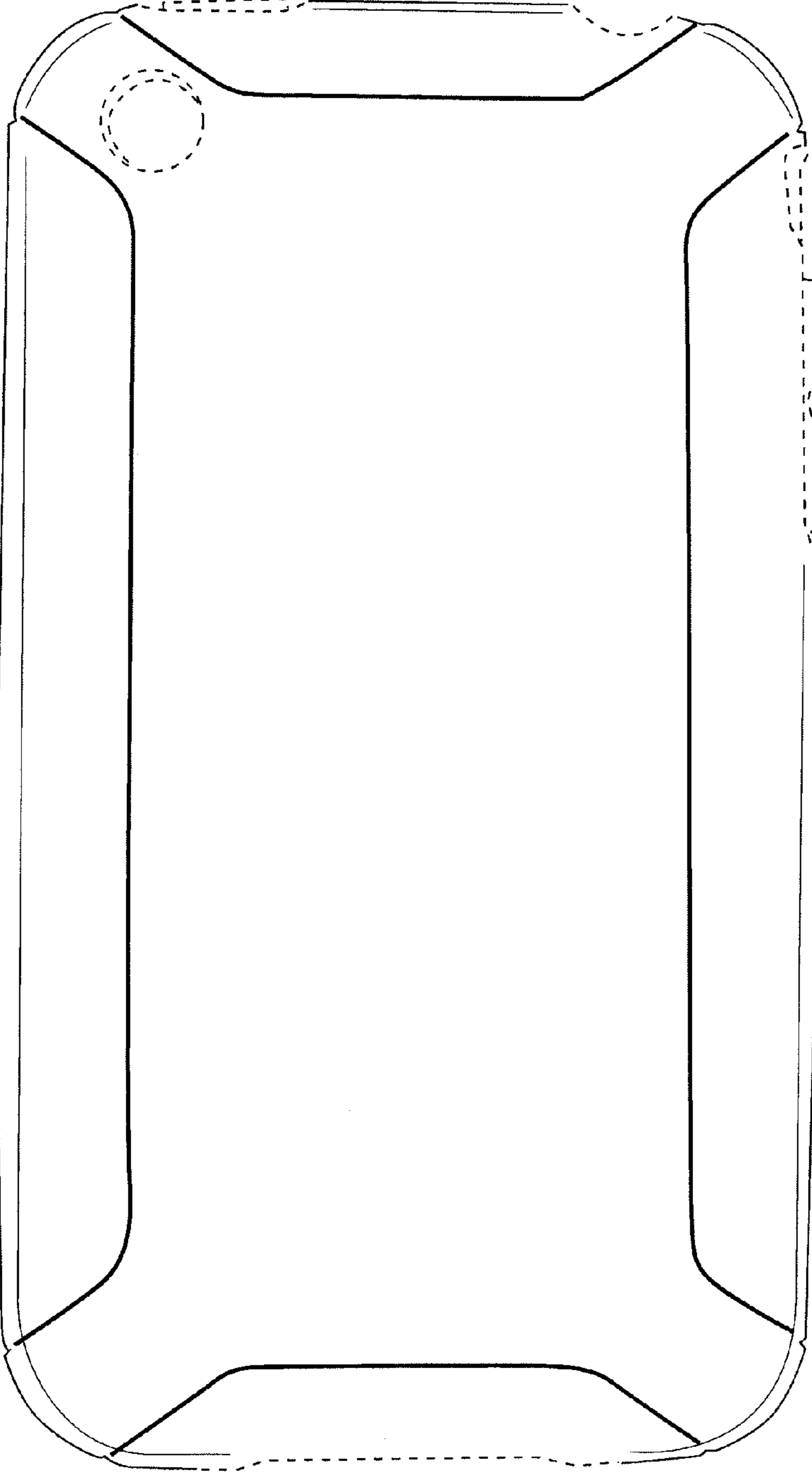


FIG. 6

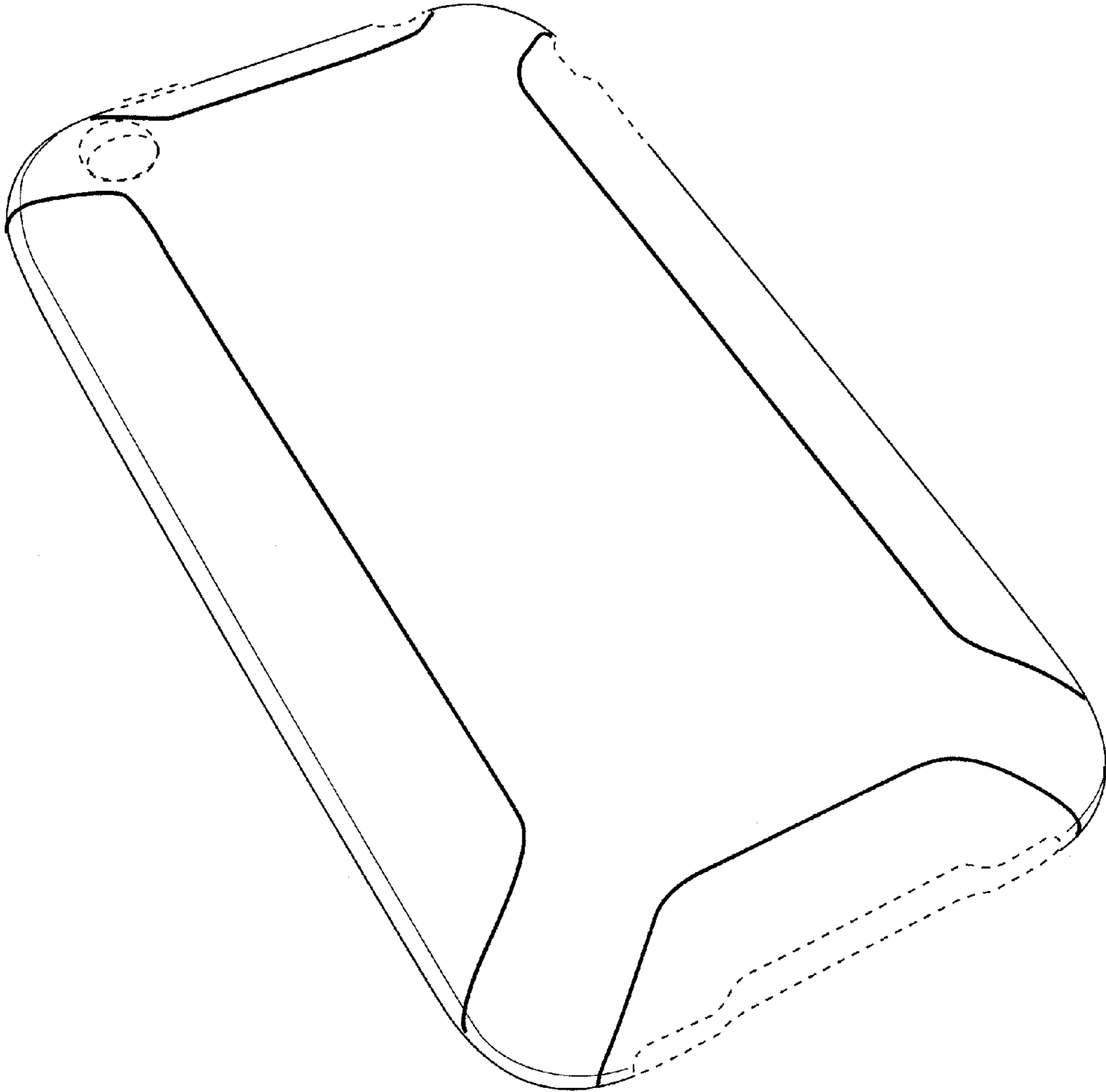


FIG. 7

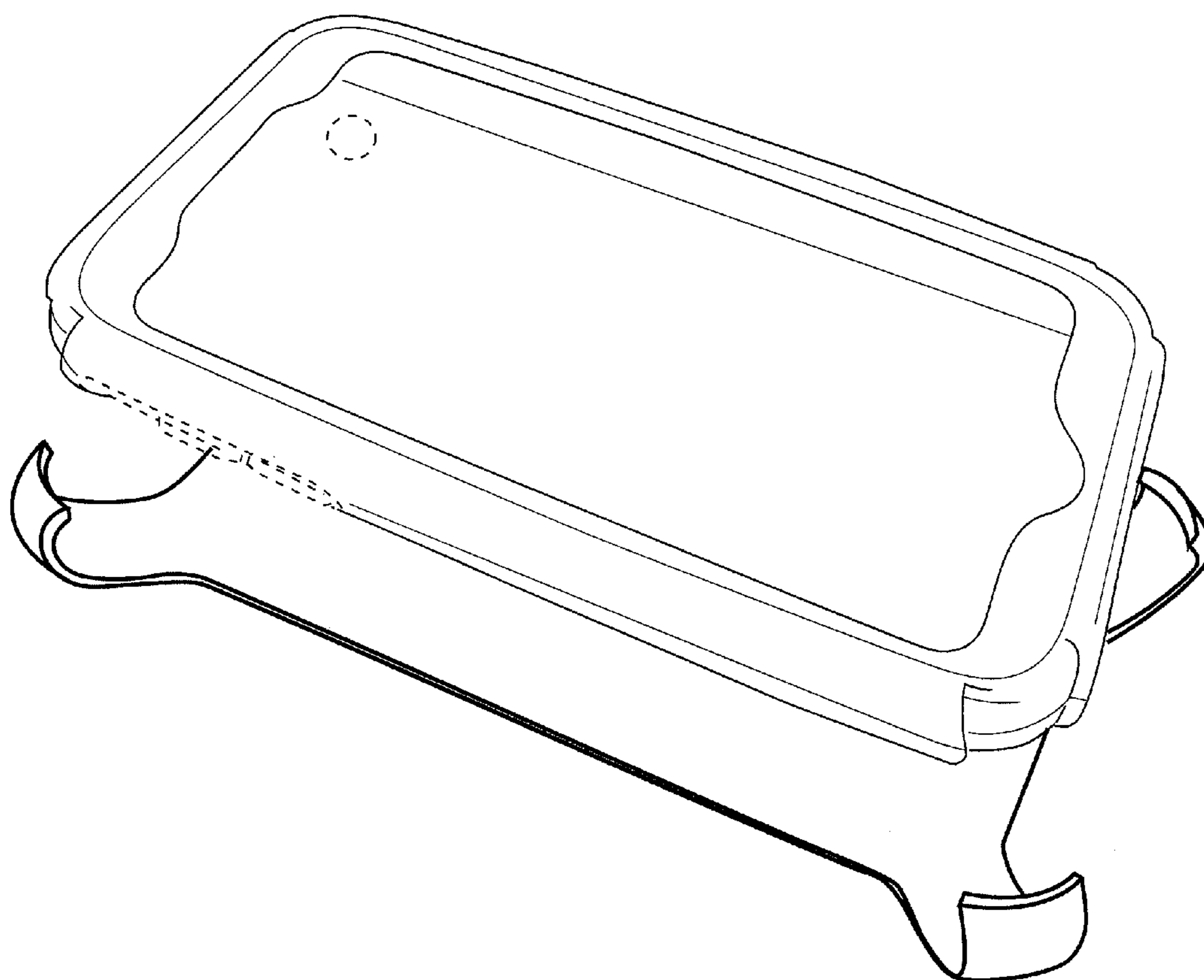


FIG. 8