



US00D646668S

(12) **United States Design Patent**
Birger

(10) **Patent No.:** **US D646,668 S**

(45) **Date of Patent:** **** Oct. 11, 2011**

(54) **HEADSET**

(75) **Inventor:** **Johan Birger**, Malmö (SE)

(73) **Assignee:** **GN Netcom A/S** (DK)

(**) **Term:** **14 Years**

(21) **Appl. No.:** **29/365,687**

(22) **Filed:** **Jul. 13, 2010**

(30) **Foreign Application Priority Data**

Jan. 14, 2010 (EM) 01189492-0001

(51) **LOC (9) Cl.** **14-01**

(52) **U.S. Cl.** **D14/223**

(58) **Field of Classification Search** D14/205,
D14/206, 223, 191, 192, 240, 242, 138 AB,
D14/168, 188, 218; D13/168; 379/420.04,
379/430, 431; 455/575.2, 575.1, 90.1; 381/380,
381/381; 181/129, 130

See application file for complete search history.

(56) **References Cited**

U.S. PATENT DOCUMENTS

D489,052 S * 4/2004 Shiraki et al. D14/203.3
D516,576 S * 3/2006 Ive et al. D14/203.7

7,046,230 B2 * 5/2006 Zadesky et al. 345/156
D549,686 S * 8/2007 Leung D14/168
D556,155 S * 11/2007 Andre et al. D13/168
D597,986 S * 8/2009 Millora D14/138 AB
D606,521 S * 12/2009 Birger D14/223
D608,767 S * 1/2010 Liner D14/225
D611,935 S * 3/2010 Wikel et al. D14/223
D613,273 S * 4/2010 Liner et al. D14/223
7,856,258 B2 * 12/2010 Misawa 455/575.3

* cited by examiner

Primary Examiner — Paula Greene

(74) *Attorney, Agent, or Firm* — Altera Law Group, LLC

(57) **CLAIM**

The ornamental design for a headset, as shown and described.

DESCRIPTION

FIG. 1 is a front perspective view of the headset.

FIG. 2 is a rear perspective view thereof.

FIG. 3 is a front plan view thereof.

FIG. 4 is a side view thereof.

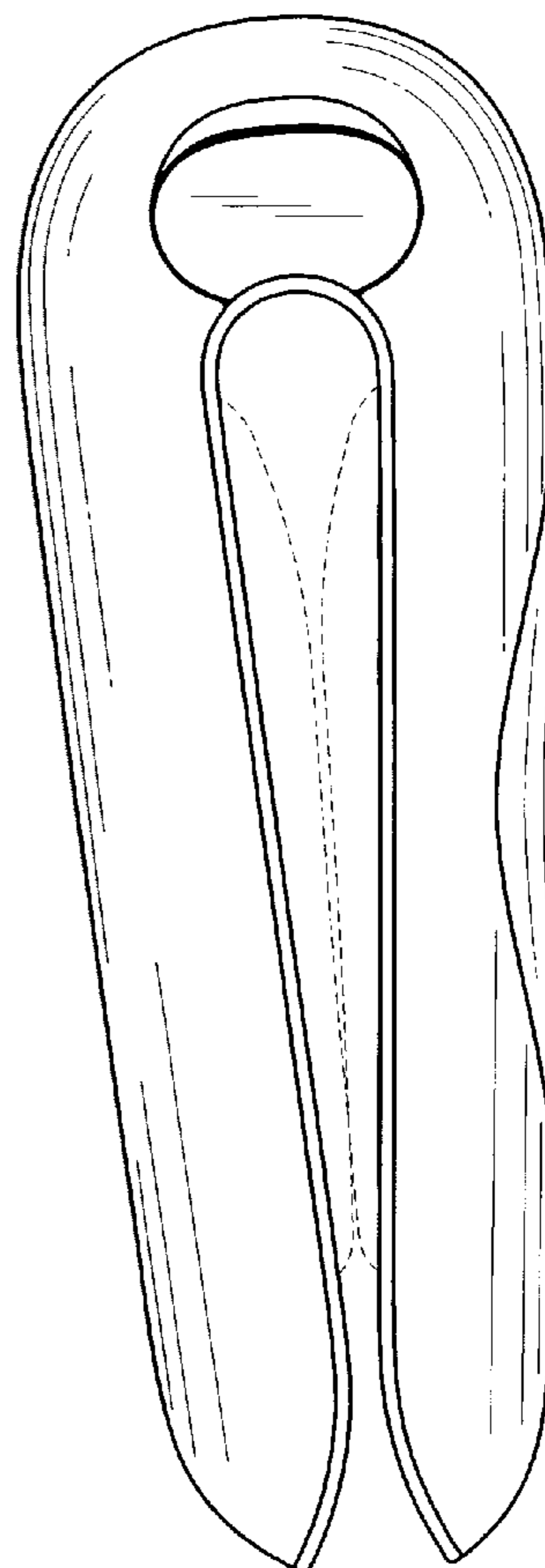
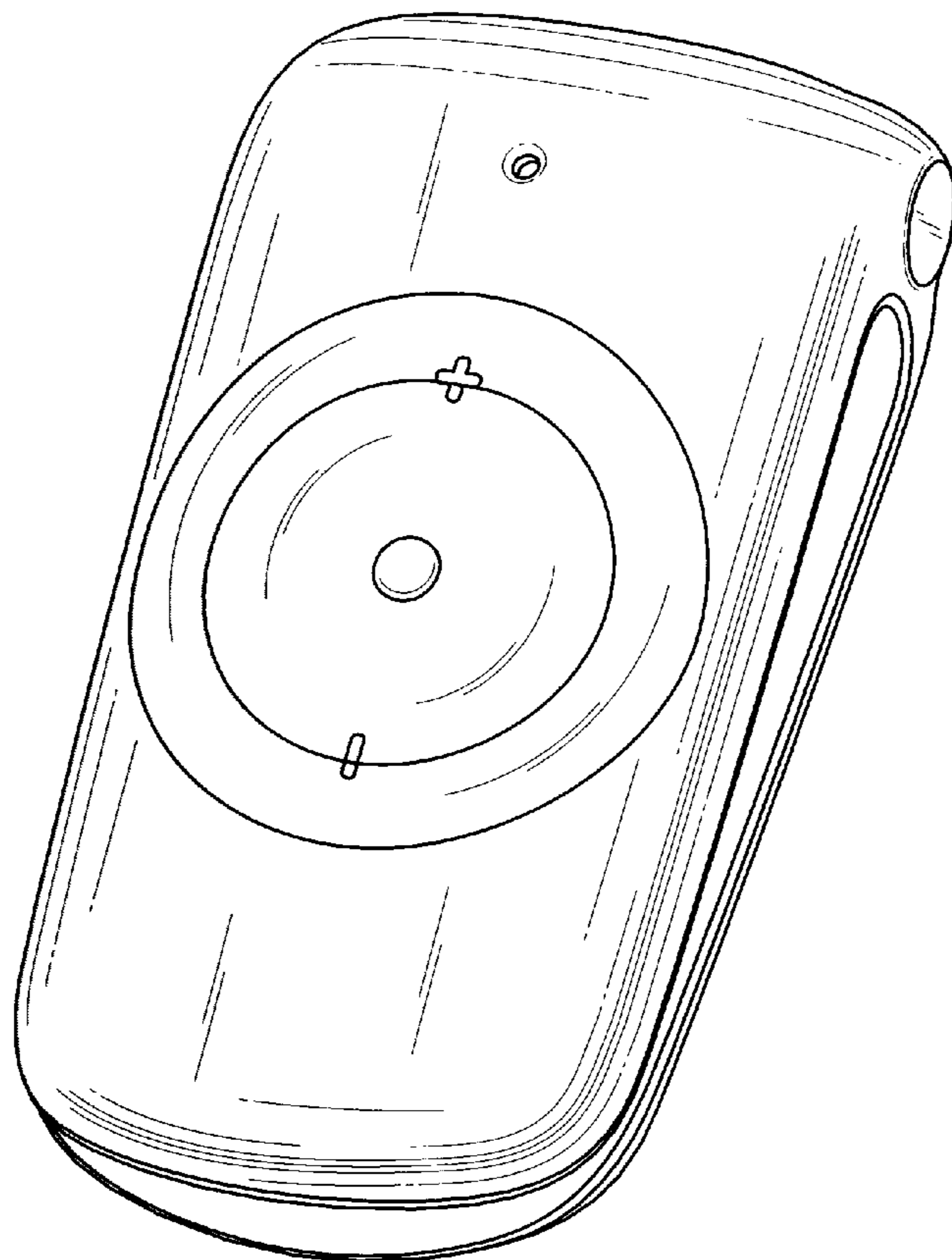
FIG. 5 is the other side view thereof.

FIG. 6 is a bottom view thereof; and,

FIG. 7 is a top view thereof.

The broken lines form no part of the claimed design.

1 Claim, 7 Drawing Sheets



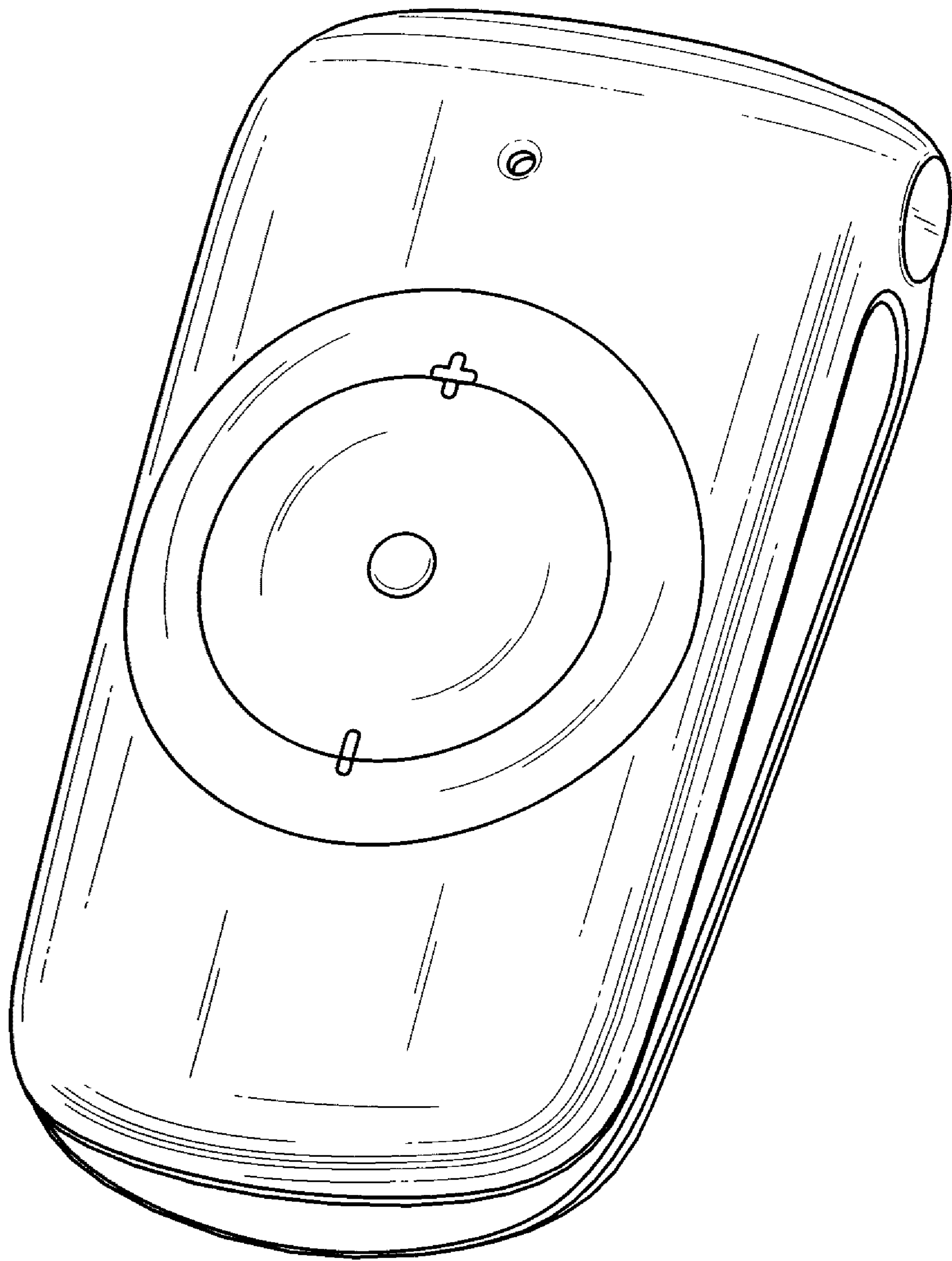


Fig. 1

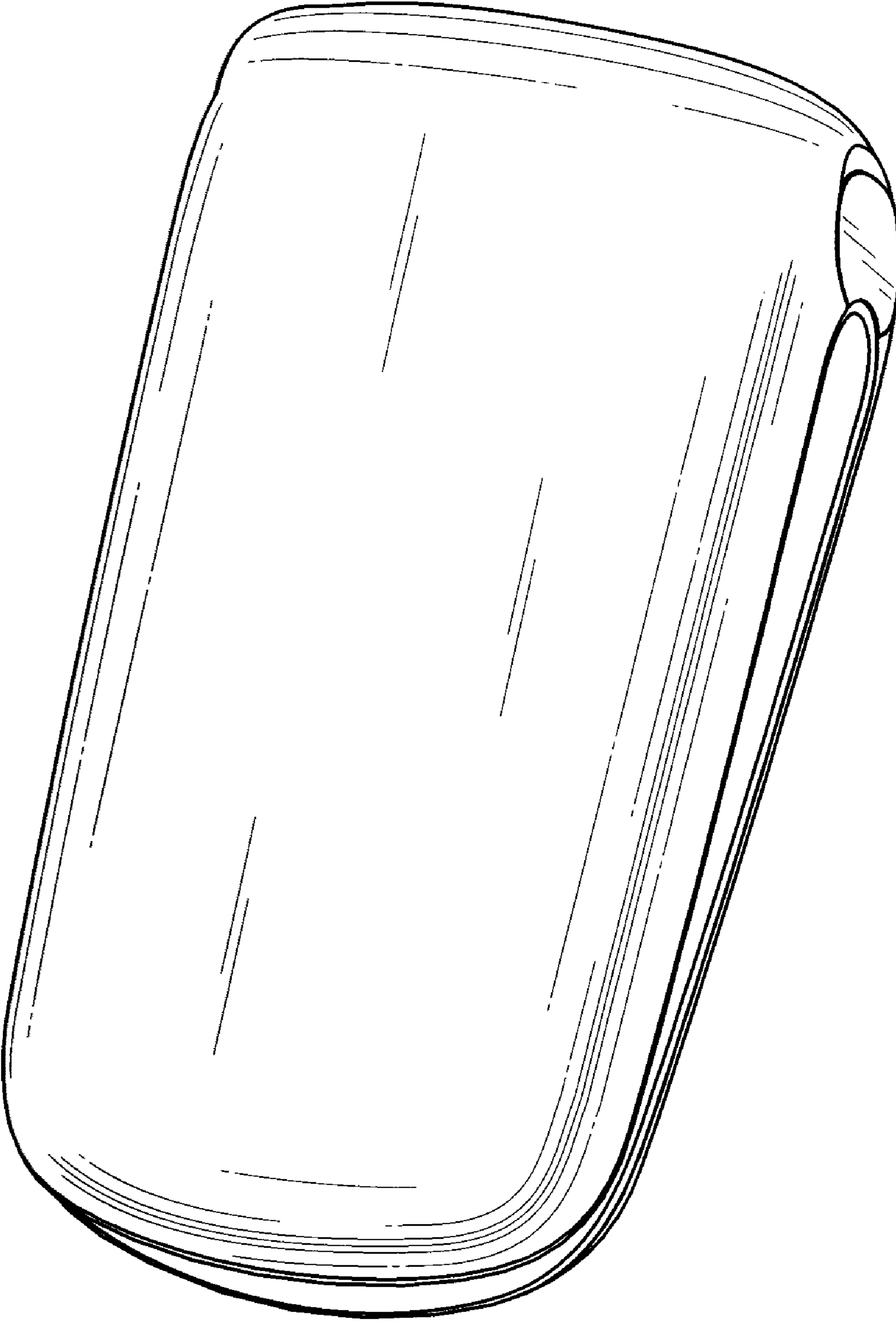


Fig. 2

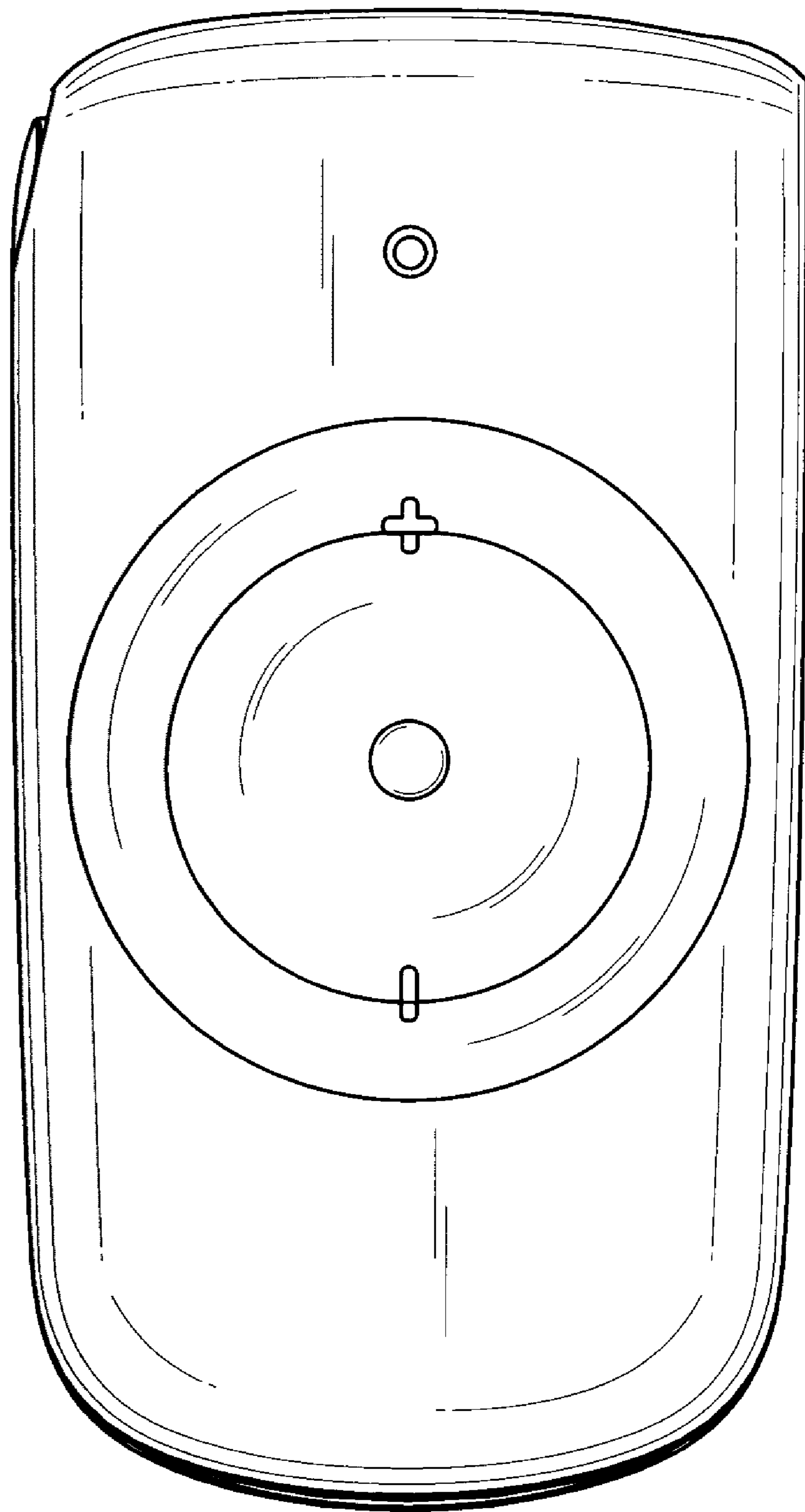


Fig. 3



Fig. 4

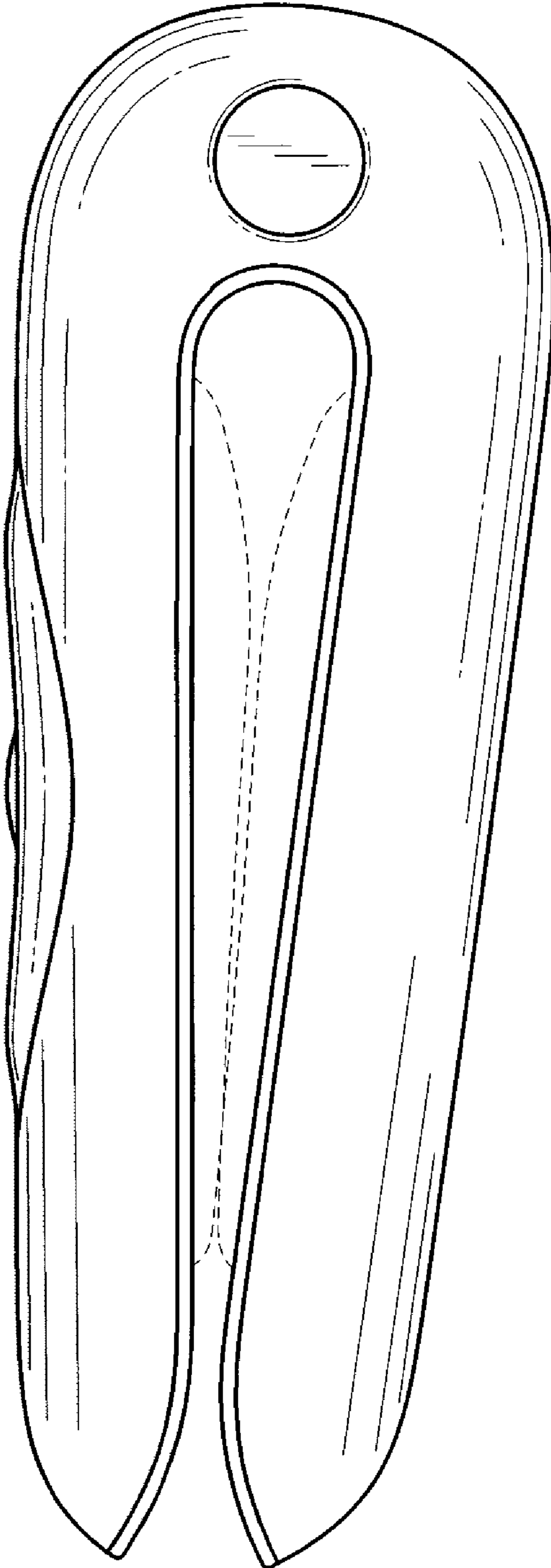


Fig. 5

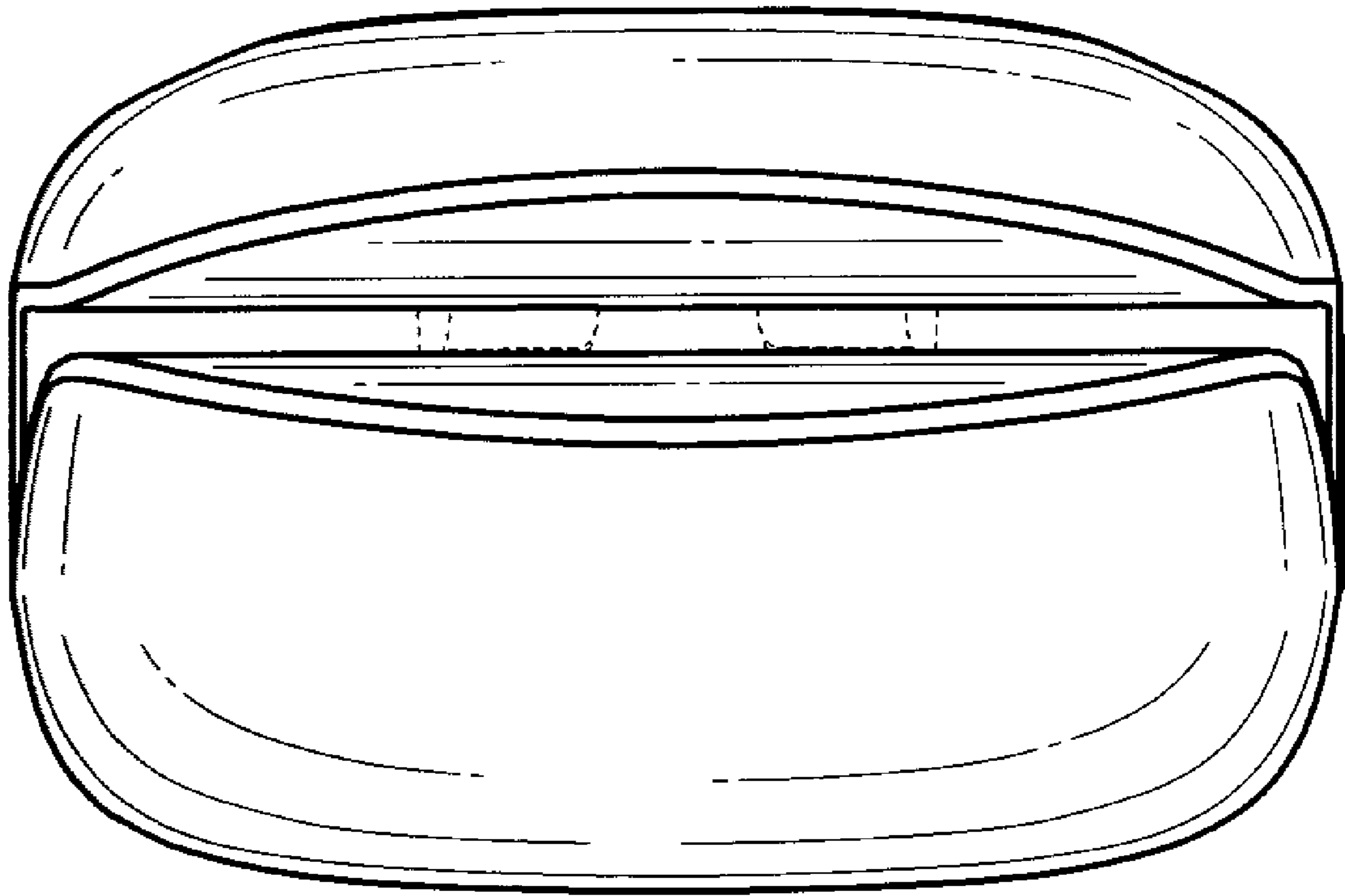


Fig. 6

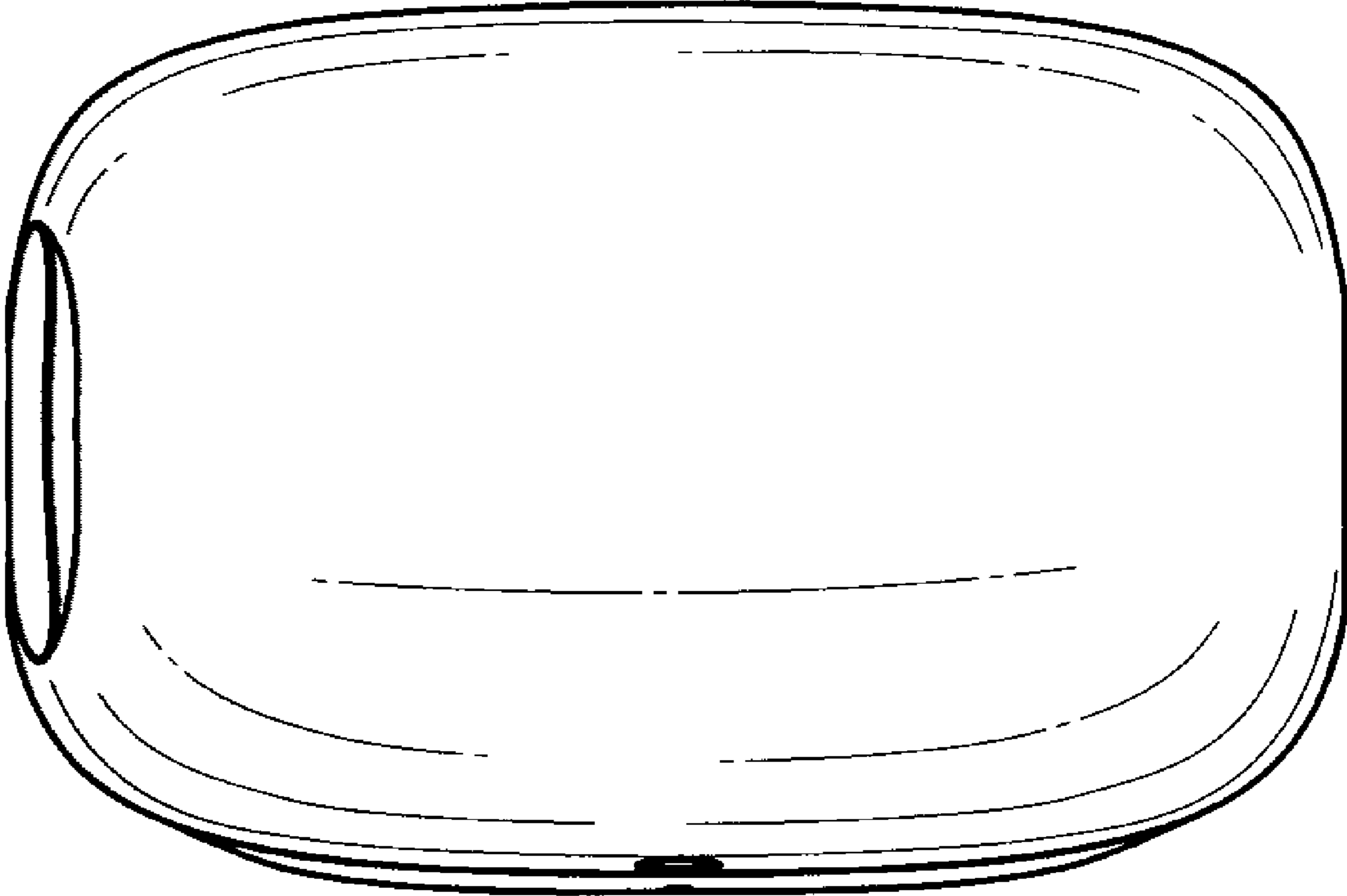


Fig. 7