

US00D646666S

(12) **United States Design Patent**  
**Maeyama**

(10) **Patent No.:** **US D646,666 S**

(45) **Date of Patent:** **\*\* Oct. 11, 2011**

(54) **SPEAKER**

(75) Inventor: **Koichi Maeyama**, Tokyo (JP)

(73) Assignee: **Sony Corporation**, Tokyo (JP)

(\*\*) Term: **14 Years**

(21) Appl. No.: **29/347,808**

(22) Filed: **Jun. 10, 2010**

(51) **LOC (9) Cl.** ..... **14-01**

(52) **U.S. Cl.** ..... **D14/216**

(58) **Field of Classification Search** ..... D14/216,  
D14/221, 222, 223, 224, 224.1, 218, 172,  
D14/168, 194, 195, 217, 207, 304, 356; 181/144,  
181/145, 147, 148, 150, 153, 157, 198, 199;  
381/300–302, 306, 333, 345, 343, 361–364,  
381/386–388

See application file for complete search history.

(56) **References Cited**

**U.S. PATENT DOCUMENTS**

2,896,737	A *	7/1959	Gellman	181/153
5,218,176	A *	6/1993	Meyer, Jr.	181/199
D393,642	S *	4/1998	Yuyama	D14/216
6,504,938	B1 *	1/2003	Anderson et al.	381/335
D519,490	S	4/2006	Komiyama	
D536,693	S	2/2007	Komiyama	
D542,279	S *	5/2007	Chan	D14/216
D571,359	S *	6/2008	Chang	D14/216
D585,423	S	1/2009	Yoneda	

D585,424	S	1/2009	Yoneda	
D602,912	S *	10/2009	Wang et al.	D14/216
7,639,478	B2 *	12/2009	Wu et al.	361/679.01
D619,119	S *	7/2010	Graber	D14/216
D632,672	S *	2/2011	Choi	D14/216
D633,898	S *	3/2011	Seo et al.	D14/216
D635,552	S *	4/2011	Yokoyama	D14/216

\* cited by examiner

*Primary Examiner* — Prabhakar Deshmukh

(74) *Attorney, Agent, or Firm* — Rader, Fishman & Grauer PLLC

(57) **CLAIM**

The ornamental design for a speaker, as shown and described.

**DESCRIPTION**

FIG. 1 is a perspective view of a speaker showing my new design;

FIG. 2 is a front elevational view thereof;

FIG. 3 is a rear elevational view thereof;

FIG. 4 is a left side elevational view thereof;

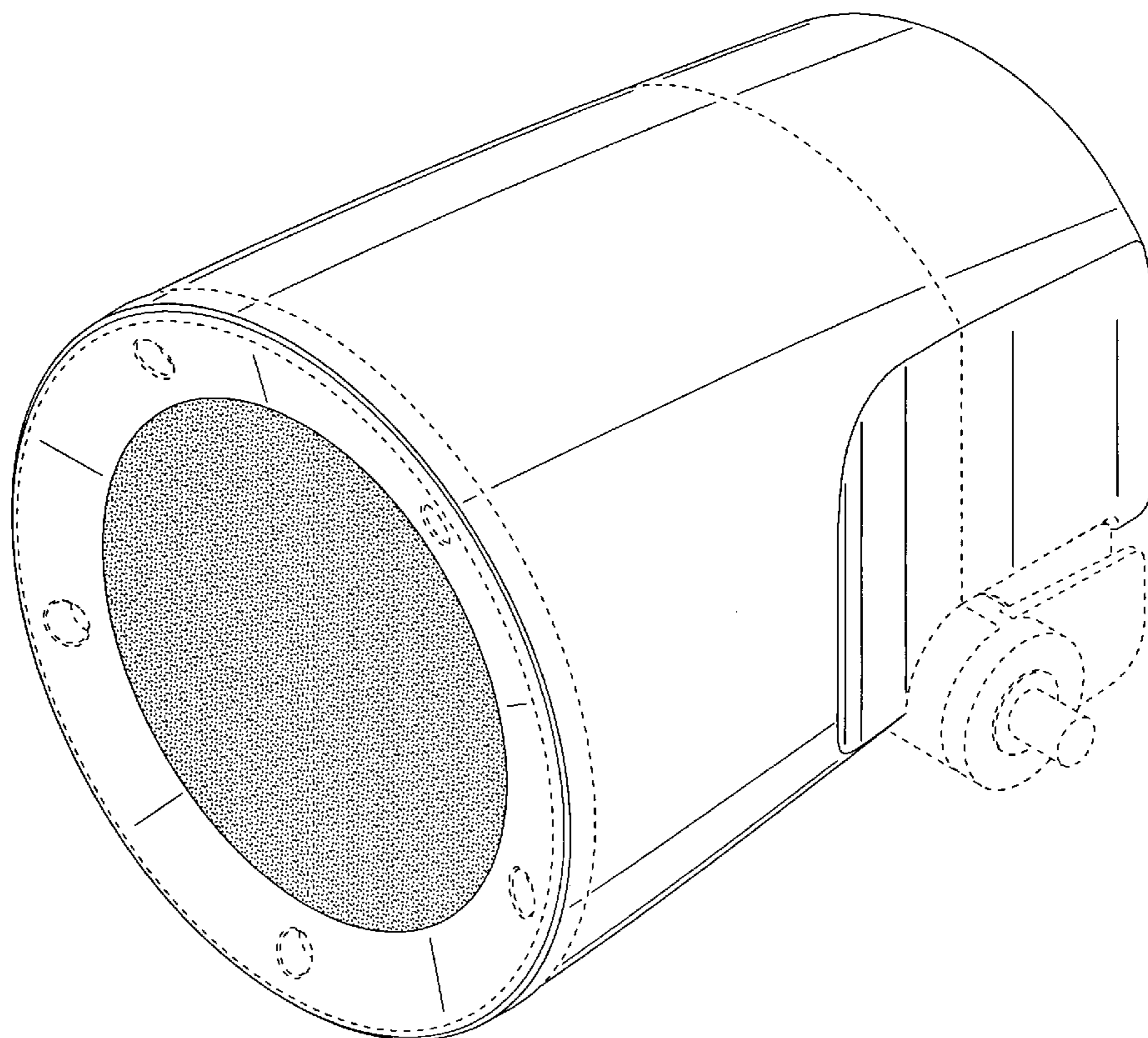
FIG. 5 is a right side elevational view thereof;

FIG. 6 is a top plan view thereof; and,

FIG. 7 is a bottom plan view thereof.

The broken lines adjacent to the shade lines form the boundary of the claimed design. All other broken lines are shown for illustrated purpose only. None of the broken lines form part of the claimed design.

**1 Claim, 7 Drawing Sheets**



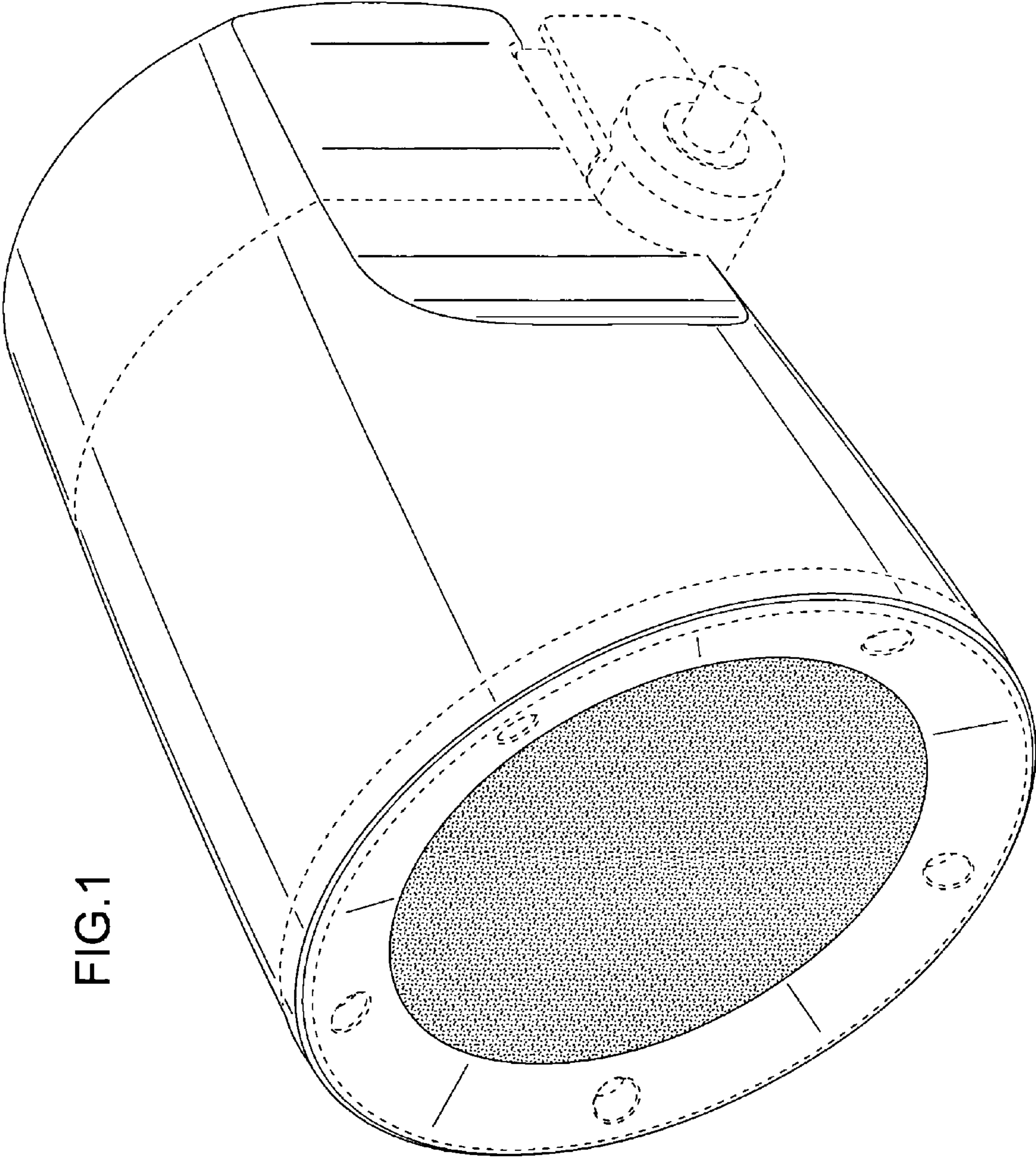


FIG.1

FIG.2

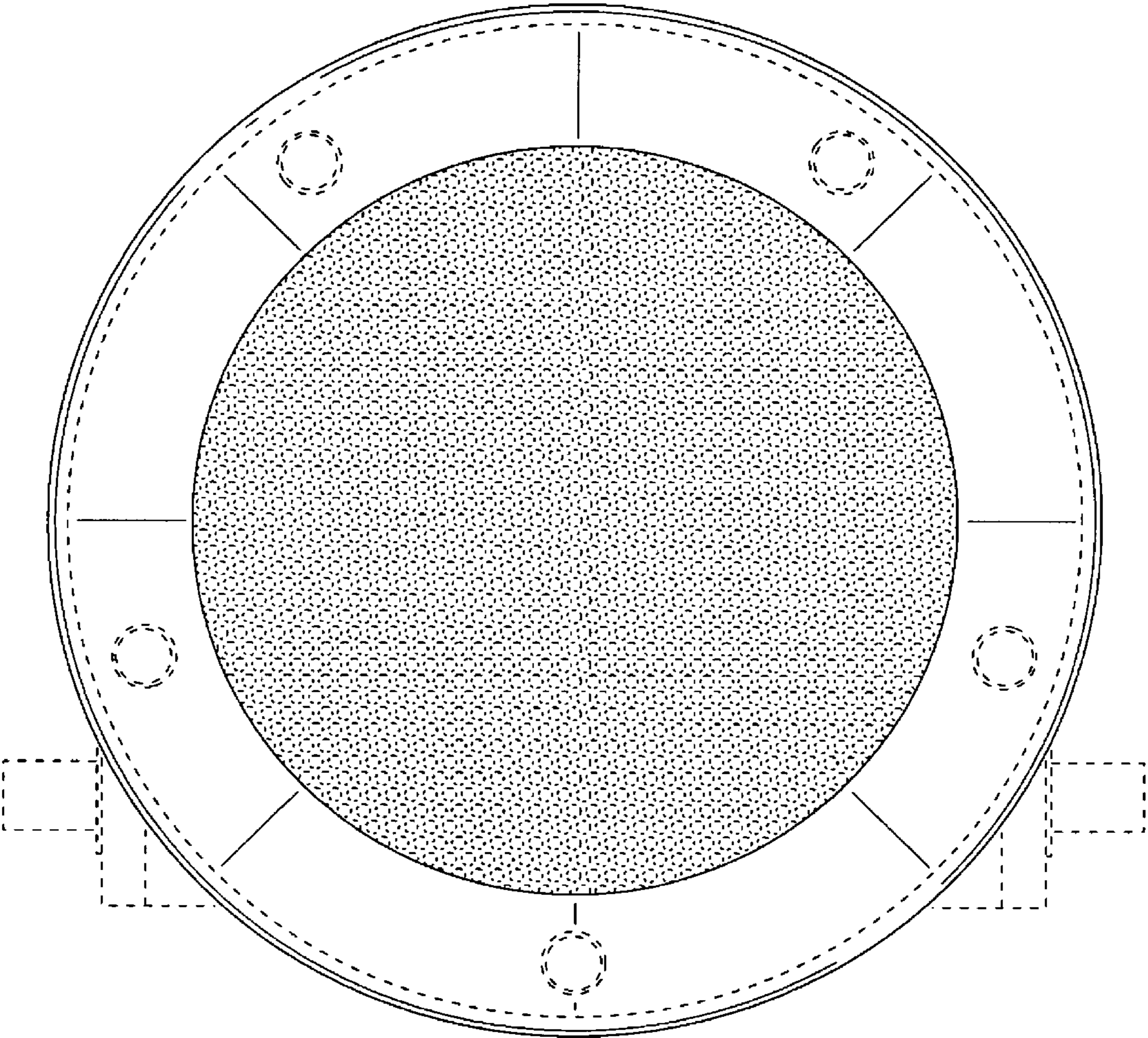


FIG.3

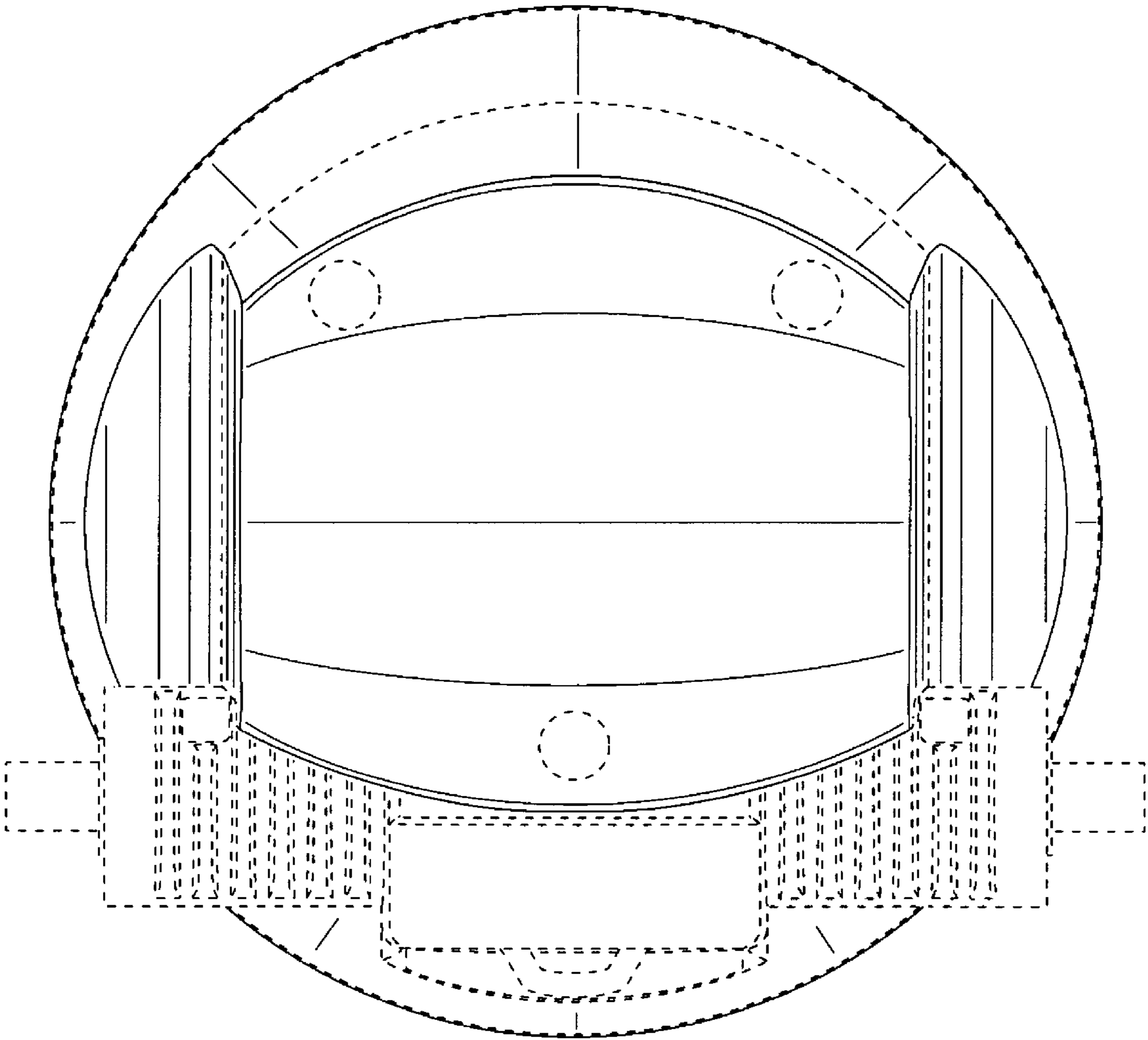


FIG.4

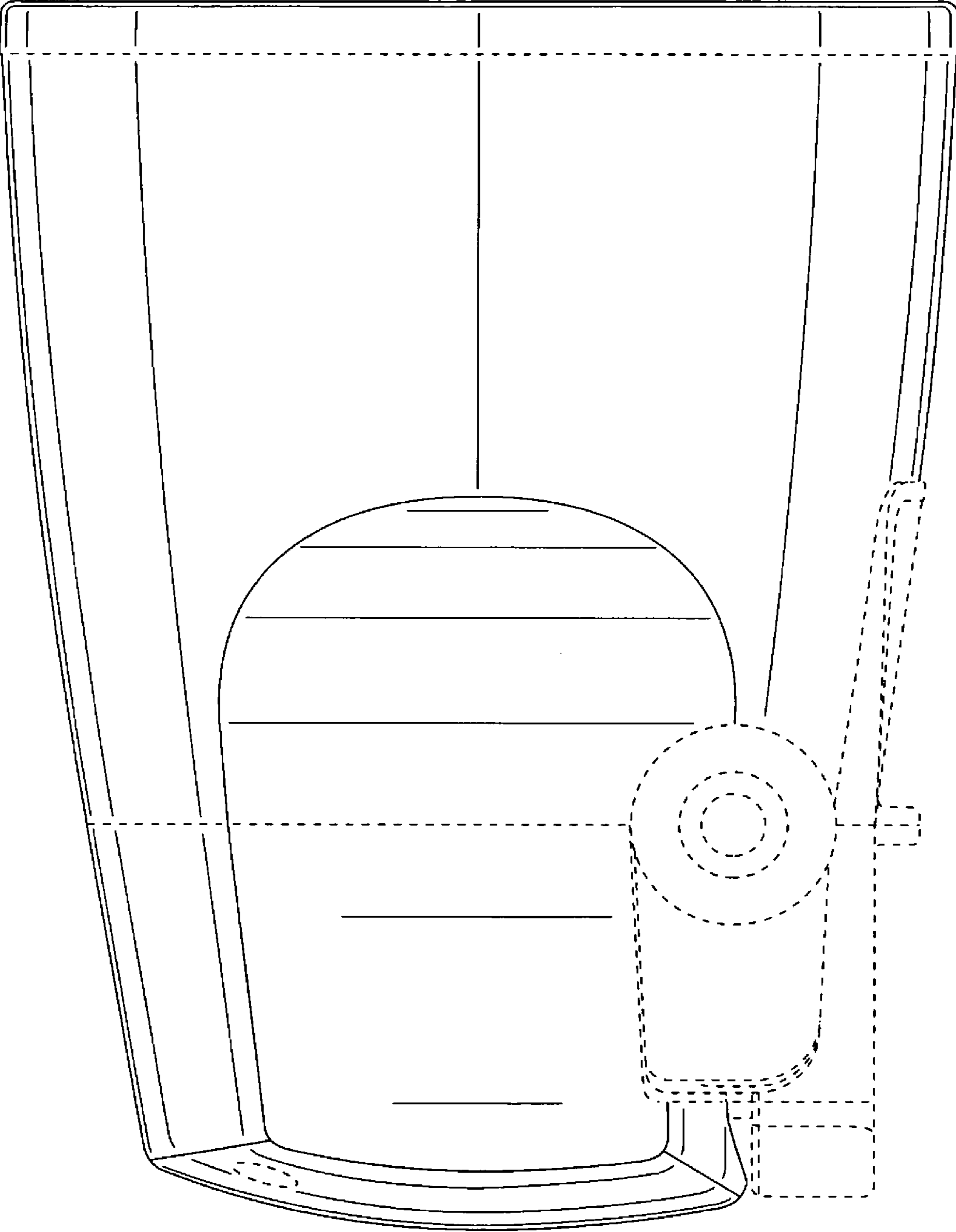


FIG.5

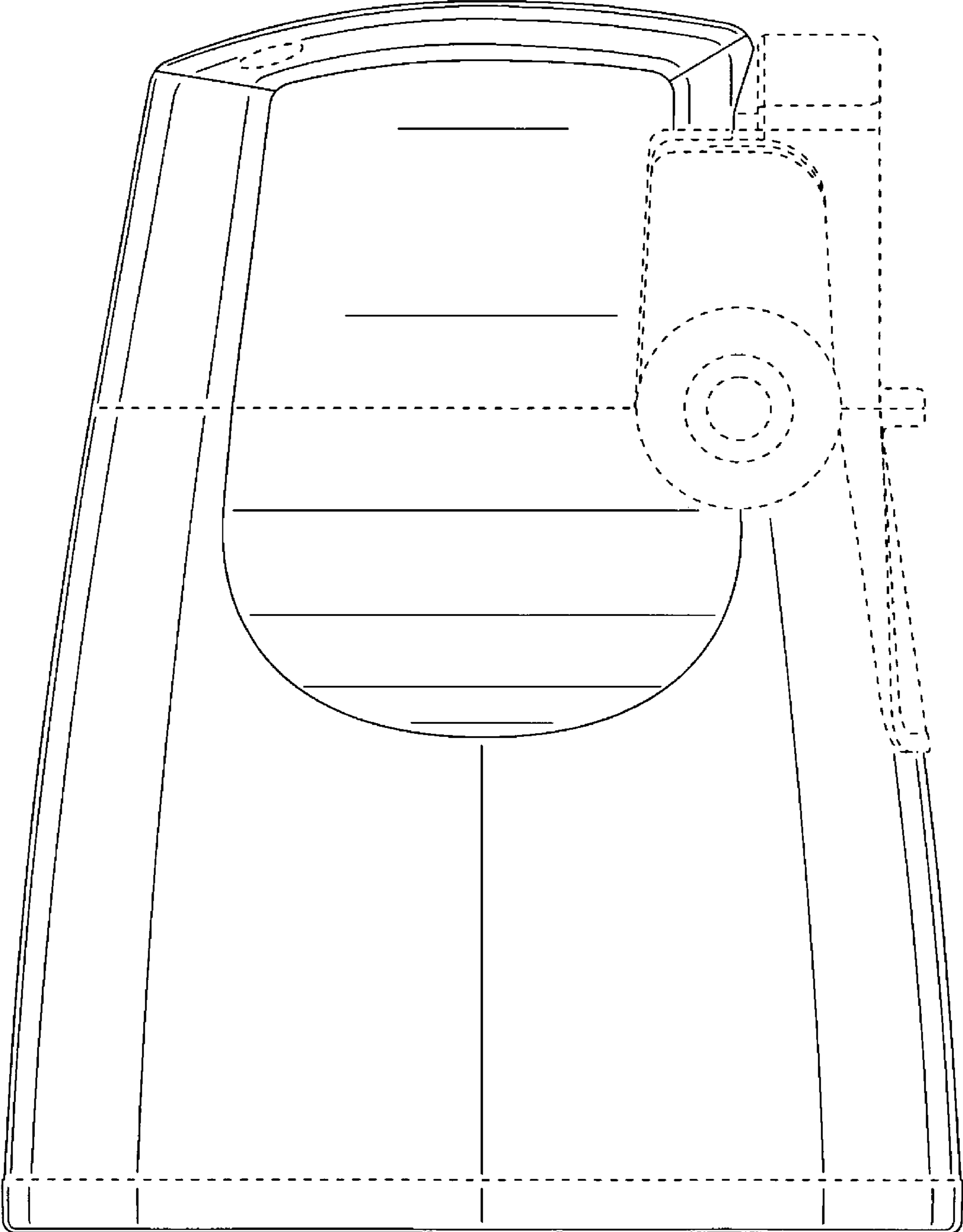


FIG.6

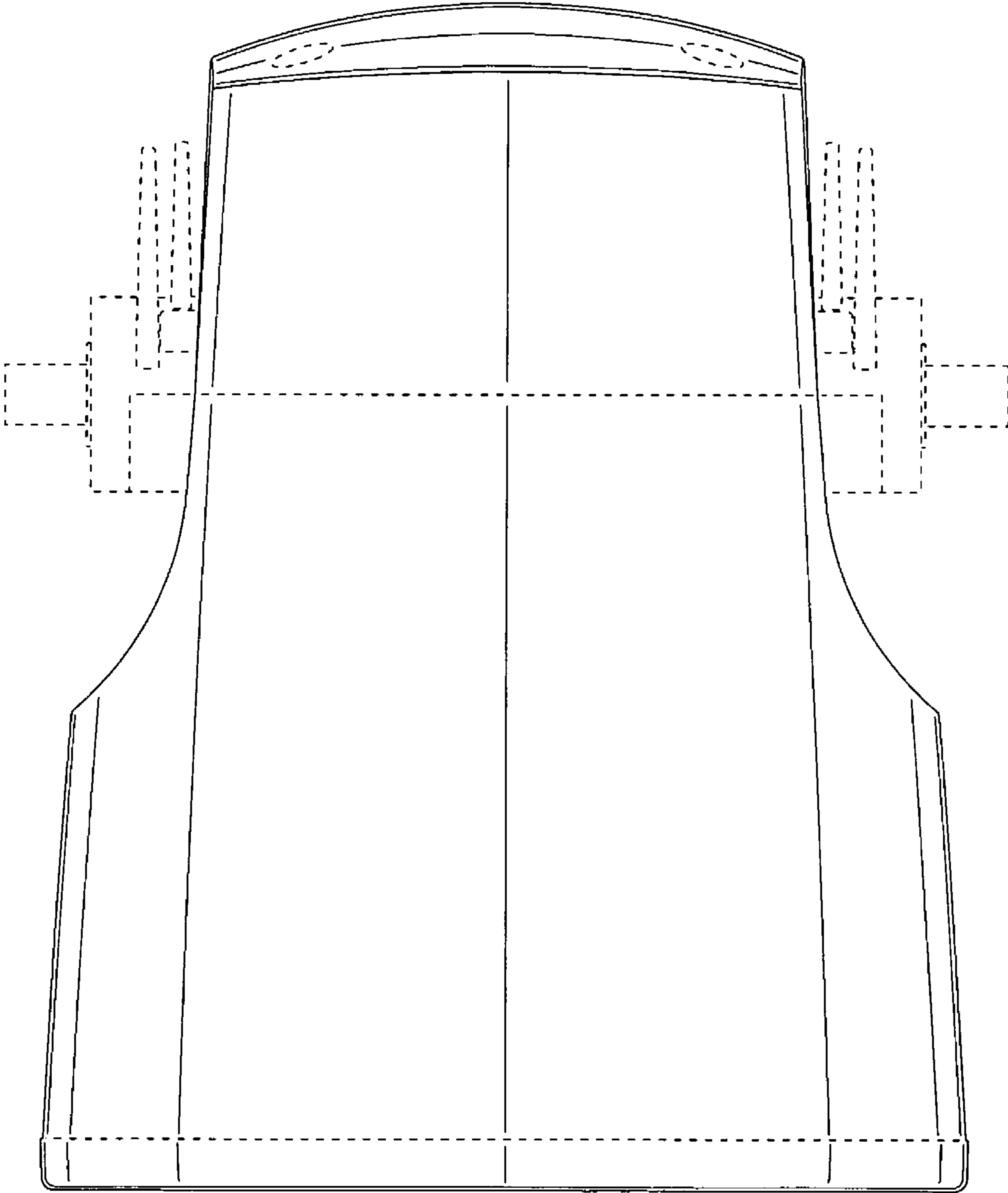


FIG.7

