



US00D646665S

(12) **United States Design Patent**  
**Iijima**

(10) **Patent No.:** **US D646,665 S**

(45) **Date of Patent:** **\*\* Oct. 11, 2011**

(54) **SPEAKER BOX**

(75) Inventor: **Yoshimune Iijima**, Tokyo (JP)

(73) Assignee: **Sony Corporation**, Tokyo (JP)

(\*\*) Term: **14 Years**

(21) Appl. No.: **29/371,312**

(22) Filed: **Dec. 28, 2010**

(51) **LOC (9) Cl.** ..... **14-01**

(52) **U.S. Cl.** ..... **D14/214**

(58) **Field of Classification Search** ..... D14/204,  
D14/210–216, 172; 181/143–144, 147–148,  
181/150–153, 157, 198–199; 381/300–303,  
381/306, 332–333, 336, 345, 361–364, 386–388  
See application file for complete search history.

(56) **References Cited**

**U.S. PATENT DOCUMENTS**

D230,489 S *	2/1974	Everett	.....	D14/214
4,281,738 A *	8/1981	Jackson	.....	181/151
D376,149 S *	12/1996	Moose	.....	D14/215
D442,942 S	5/2001	Tsuge		
D471,534 S	3/2003	Suzuki et al.		
D508,690 S	8/2005	Hioki		
D553,120 S	10/2007	Yano		
D570,829 S	6/2008	Matsuoka		
D578,105 S	10/2008	Komiyama		

D578,107 S	10/2008	Shimizu		
D585,424 S	1/2009	Yoneda		
D587,239 S *	2/2009	Raisanen et al.	.....	D14/214
D619,995 S	7/2010	Jha		

**FOREIGN PATENT DOCUMENTS**

JP D1143808 S 6/2002

\* cited by examiner

*Primary Examiner* — Nanda Bondade

(74) *Attorney, Agent, or Firm* — Rader, Fishman & Grauer PLLC

(57) **CLAIM**

The ornamental design for a speaker box, as shown and described.

**DESCRIPTION**

FIG. 1 is a perspective view of a speaker box showing my new design;

FIG. 2 is a front elevational view thereof;

FIG. 3 is a rear elevational view thereof;

FIG. 4 is a left side elevational view thereof;

FIG. 5 is a right side elevational view thereof;

FIG. 6 is a top plan view thereof; and,

FIG. 7 is a bottom plan view thereof.

Portions in broken lines are for illustrative purposes only and form no part of the claimed design.

**1 Claim, 7 Drawing Sheets**

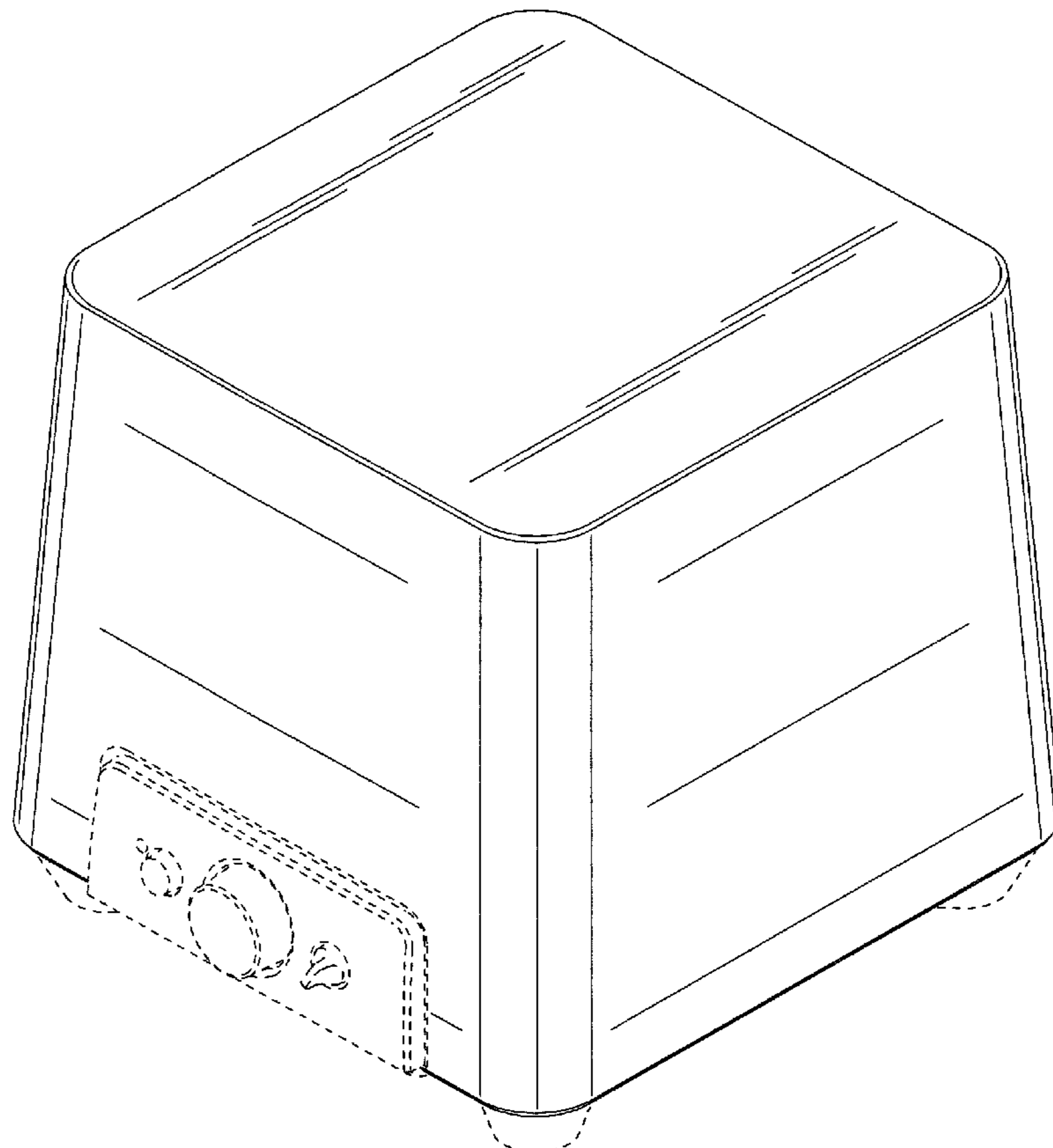


FIG. 1

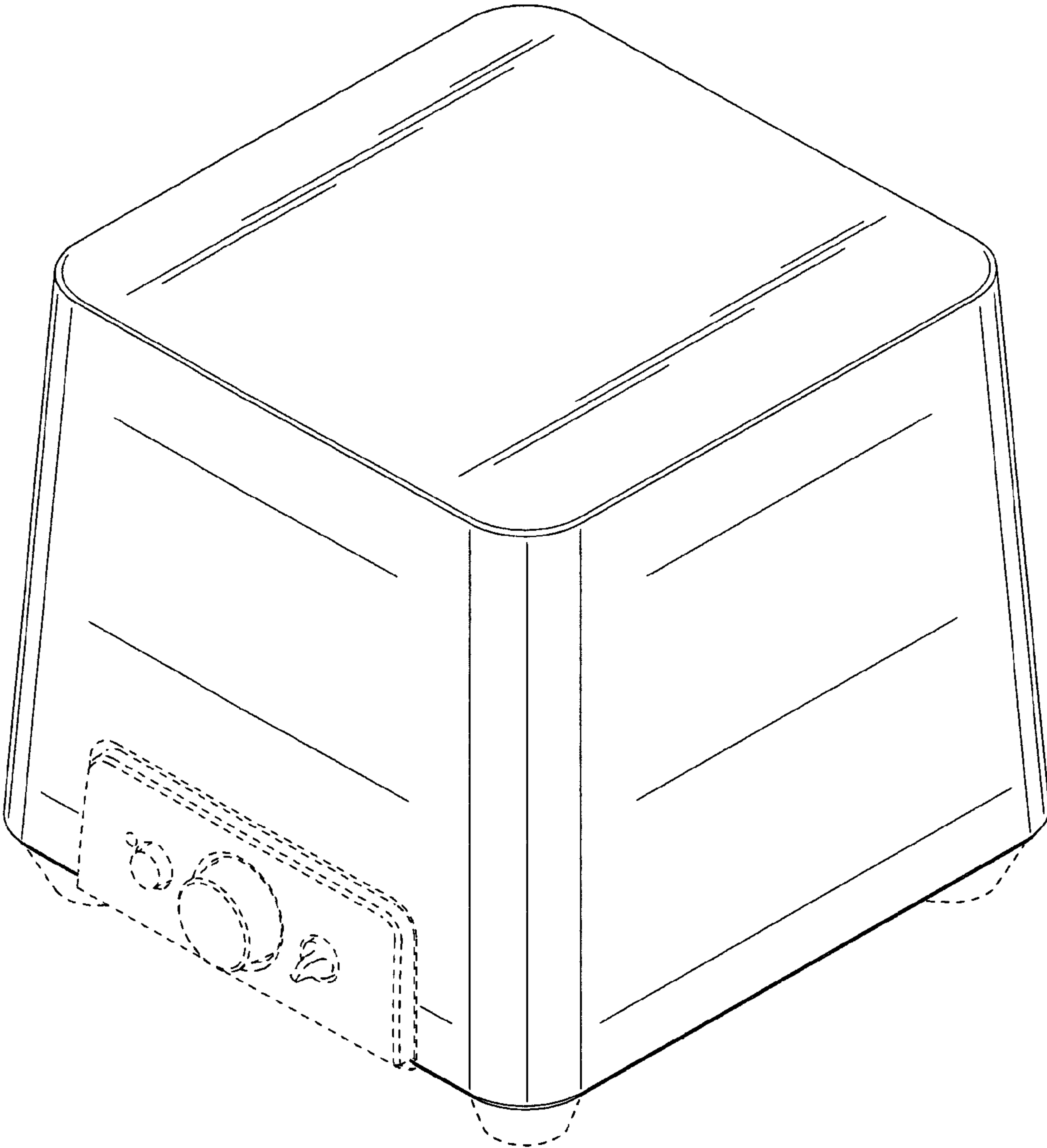


FIG.2

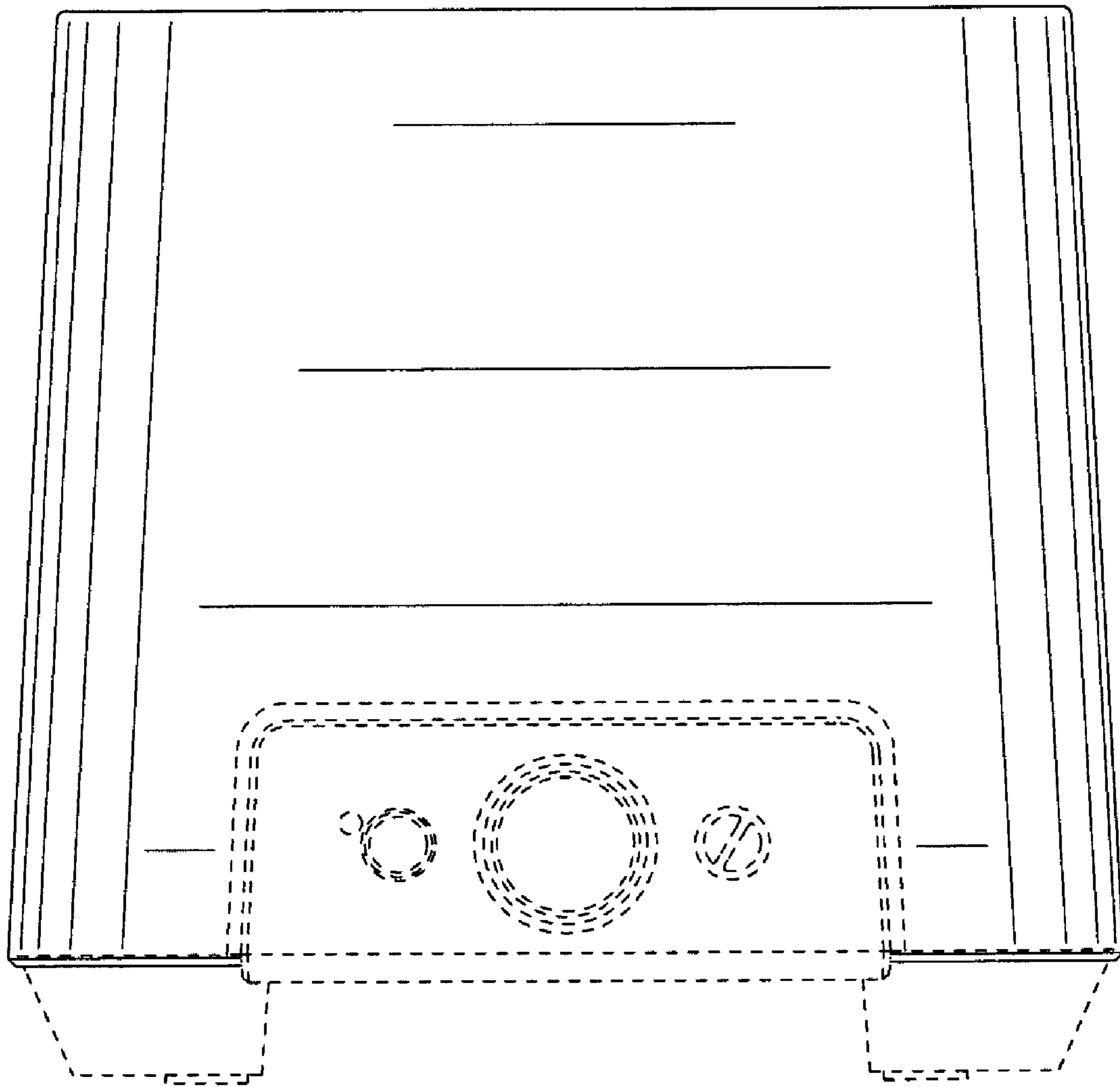


FIG.3

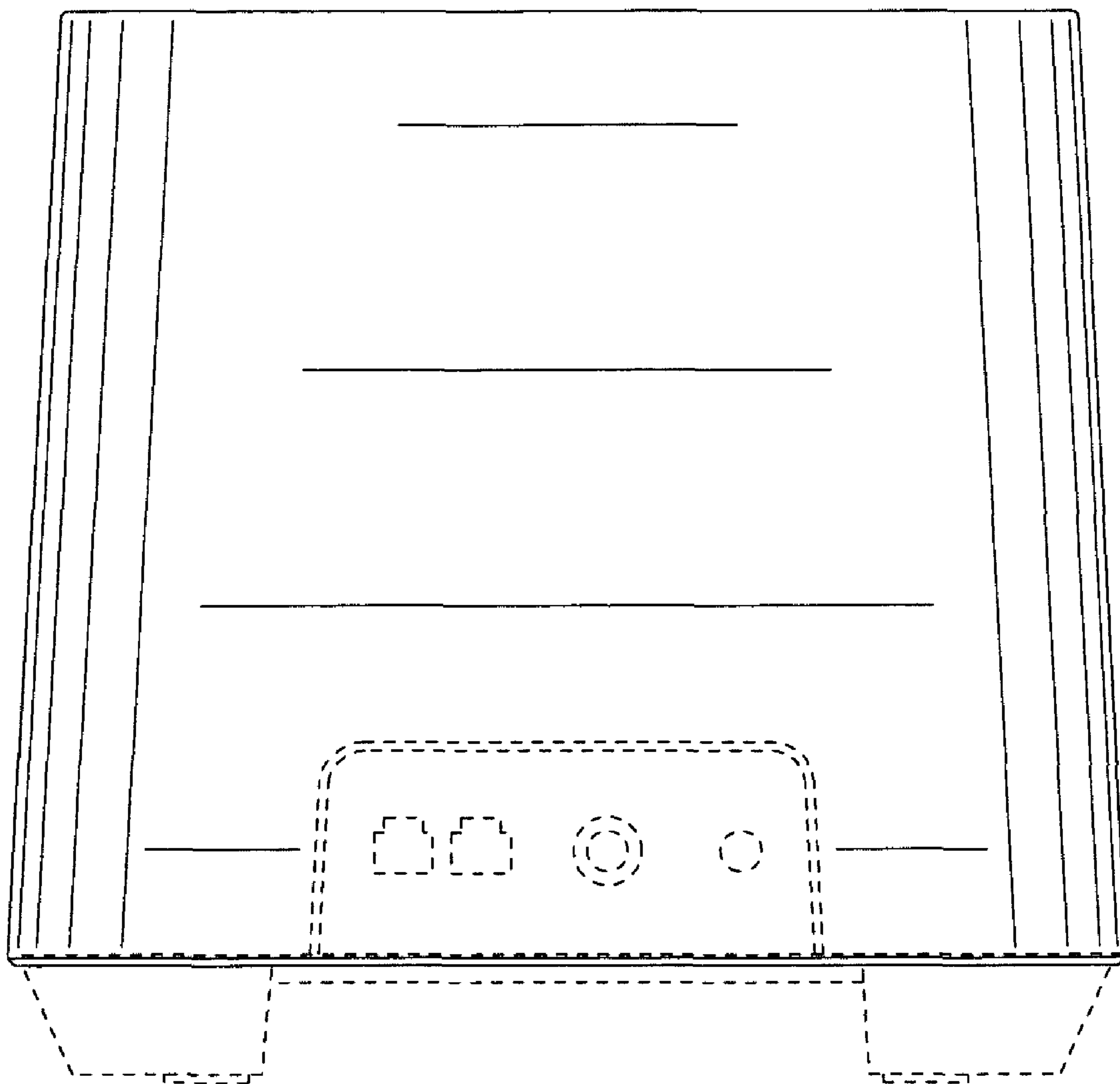


FIG.4

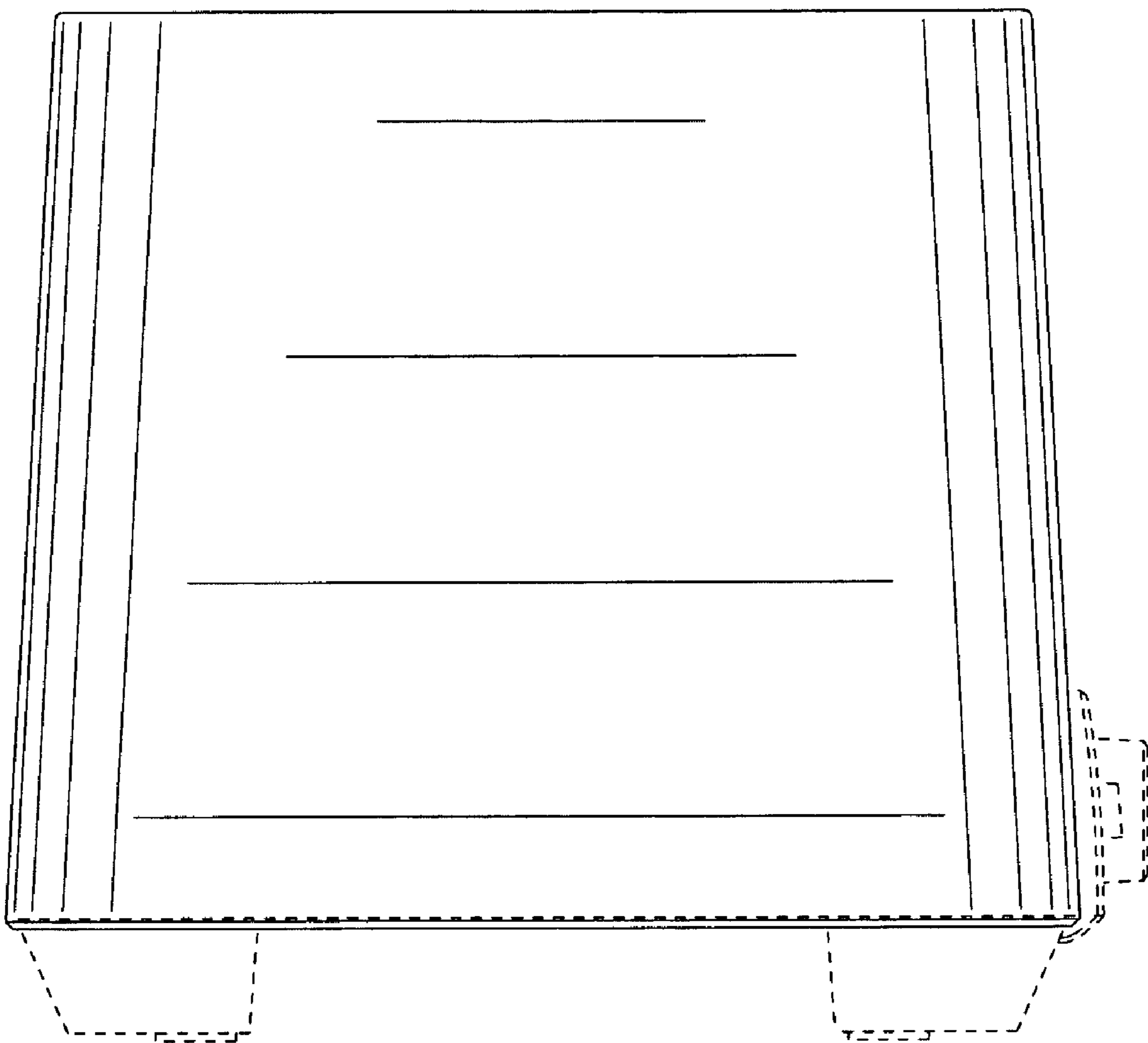


FIG.5

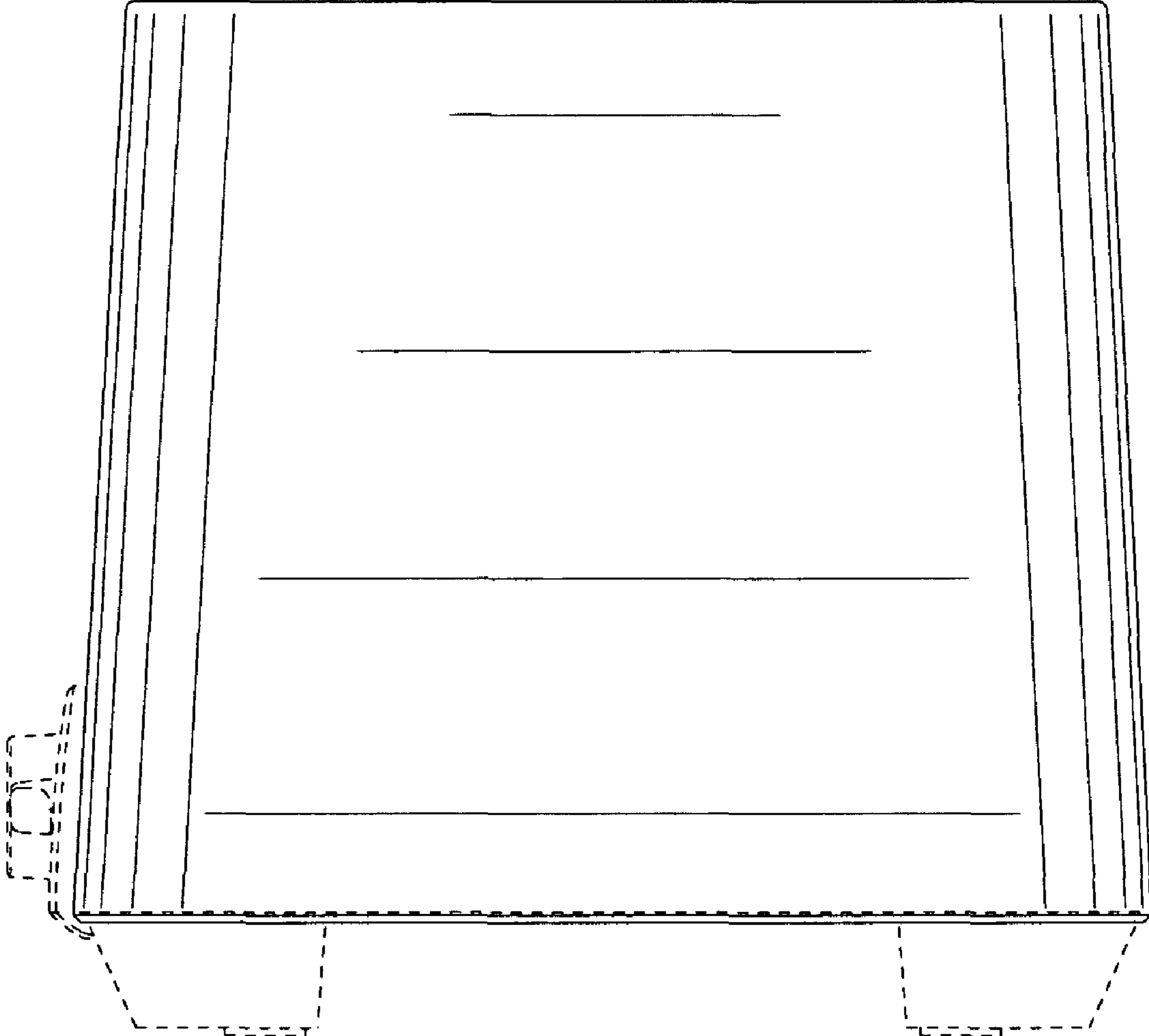


FIG.6

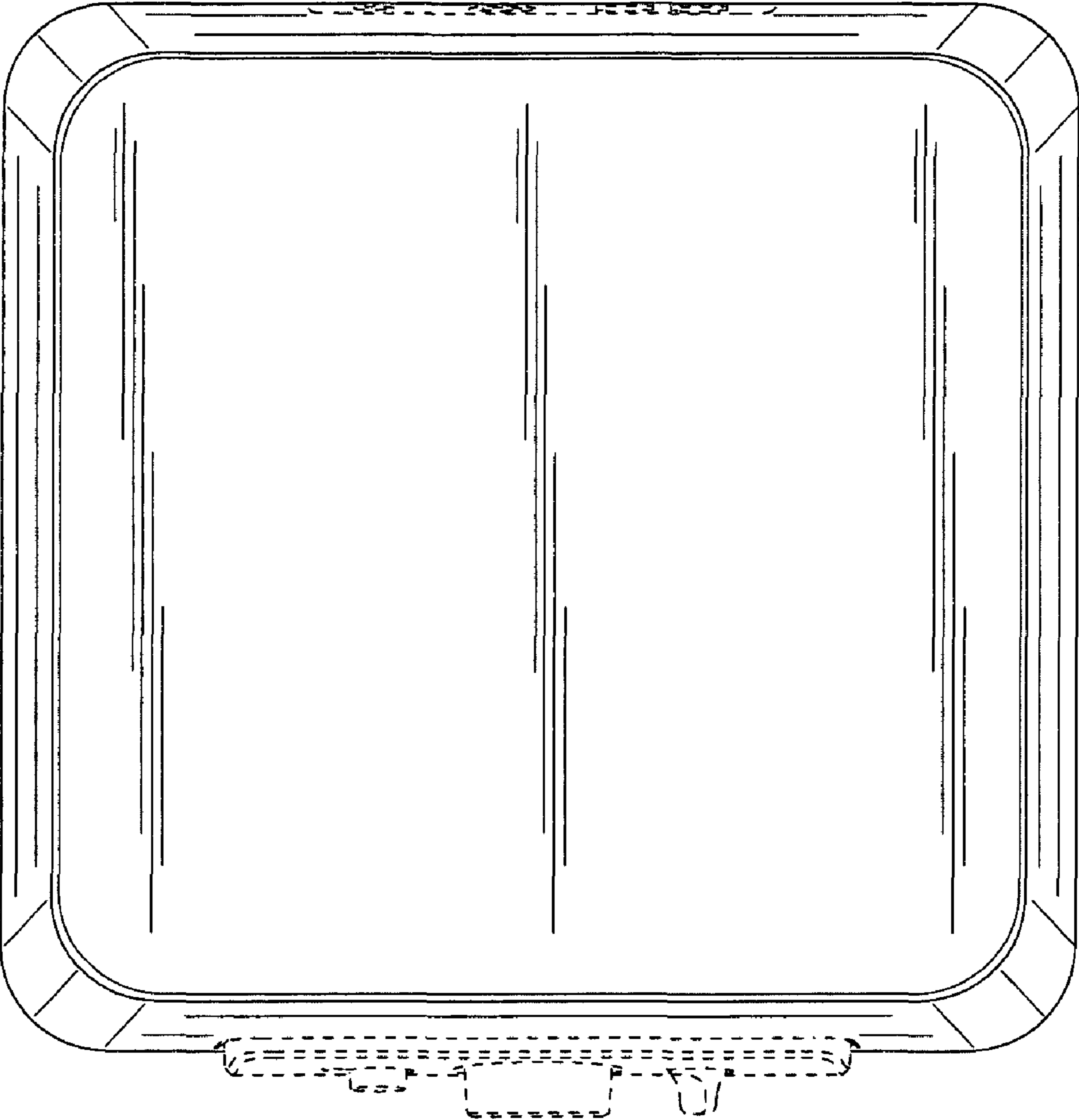


FIG.7

