

US00D646660S

(12) **United States Design Patent**
Chung

(10) **Patent No.:** **US D646,660 S**

(45) **Date of Patent:** **** Oct. 11, 2011**

(54) **MOBILE PHONE**

(75) Inventor: **Jin-Man Chung**, Goyang-Si (KR)

(73) Assignee: **Samsung Electronics Co., Ltd.** (KR)

(**) Term: **14 Years**

(21) Appl. No.: **29/379,780**

(22) Filed: **Nov. 24, 2010**

(30) **Foreign Application Priority Data**

Oct. 14, 2010 (KR) 30-2010-0044583

(51) **LOC (9) Cl.** **14-03**

(52) **U.S. Cl.** **D14/138 G**

(58) **Field of Classification Search** D14/138 R,
D14/138 AD, 138 AC, 138 C, 138 G, 191,
D14/203.1-203.8, 496, 138 AA, 138 AB,
D14/137, 147, 218, 341-347, 247-248; D10/65,
D10/78, 104; D13/168; D18/7; 455/566,
455/575.1, 575.3, 575.4

See application file for complete search history.

(56) **References Cited**

U.S. PATENT DOCUMENTS

D534,516 S *	1/2007	Lheem	D14/138 AD
7,181,256 B2 *	2/2007	Hyun et al.	455/575.3
D559,220 S *	1/2008	Lee et al.	D14/138 AD
D560,192 S *	1/2008	Lee et al.	D14/138 AD
D563,938 S *	3/2008	Kim et al.	D14/138 AD
D574,807 S *	8/2008	Lee et al.	D14/138 AD
D577,349 S *	9/2008	Choi et al.	D14/138 AD
D578,099 S *	10/2008	Park et al.	D14/138 AD
D578,985 S *	10/2008	Kim et al.	D14/138 AD
D579,435 S *	10/2008	Han et al.	D14/138 AD
D579,439 S *	10/2008	Chung et al.	D14/138 AD
D583,346 S *	12/2008	Jung et al.	D14/138 AD
D589,021 S *	3/2009	Millora	D14/138 AD
D606,505 S *	12/2009	Seflic et al.	D14/138 G
D608,332 S *	1/2010	Huang et al.	D14/138 G
D609,210 S *	2/2010	Sohn et al.	D14/138 AD
D610,568 S *	2/2010	Yu	D14/203.7

D615,948 S *	5/2010	Park et al.	D14/138 AD
D624,042 S *	9/2010	Lee et al.	D14/138 AD
D626,937 S *	11/2010	Yeo et al.	D14/203.7
D629,781 S *	12/2010	Song et al.	D14/138 G
D629,799 S *	12/2010	Andre et al.	D14/341
D630,629 S *	1/2011	Seifert et al.	D14/341
D631,031 S *	1/2011	Chen et al.	D14/138 G
D633,460 S *	3/2011	Yi et al.	D14/138 G
2010/0245234 A1 *	9/2010	Park et al.	345/156

OTHER PUBLICATIONS

Asus nuvifone A50, announced Feb. 2010, [online], [retrieved on Feb. 17, 2010]. Retrieved from Internet ,<URL: <http://www.gsmarena.com>>.*

LG GM310, announced Feb. 2009, [online], [retrieved on Feb. 20, 2009]. Retrieved from Internet ,<URL: <http://www.gsmarena.com>>.*

LG GM750, announced Sep. 2009, [online], [retrieved on Sep. 4, 2009]. Retrieved from Internet ,<URL: <http://www.gsmarena.com>>.*

LG KU2100, announced Jan. 2010, [online], [retrieved on Feb. 1, 2010]. Retrieved from Internet ,<URL: <http://www.gsmarena.com>>.*

ZTE Raise, announced 2009, [online], [retrieved on Feb. 1, 2010]. Retrieved from Internet ,<URL: <http://www.gsmarena.com>>.*

* cited by examiner

Primary Examiner — Bridget L Eland

(74) *Attorney, Agent, or Firm* — NSIP Law

(57) **CLAIM**

The ornamental design for a mobile phone, as shown and described.

DESCRIPTION

FIG. 1 is a perspective view of a mobile phone;
FIG. 2 is a front view of the mobile phone of FIG. 1;
FIG. 3 is a rear view of the mobile phone of FIG. 1;
FIG. 4 is a left-side view of the mobile phone of FIG. 1;
FIG. 5 is a right-side view of the mobile phone of FIG. 1;
FIG. 6 is a top plan view of the mobile phone of FIG. 1; and,
FIG. 7 is a bottom plan view of the mobile phone of FIG. 1.

1 Claim, 5 Drawing Sheets

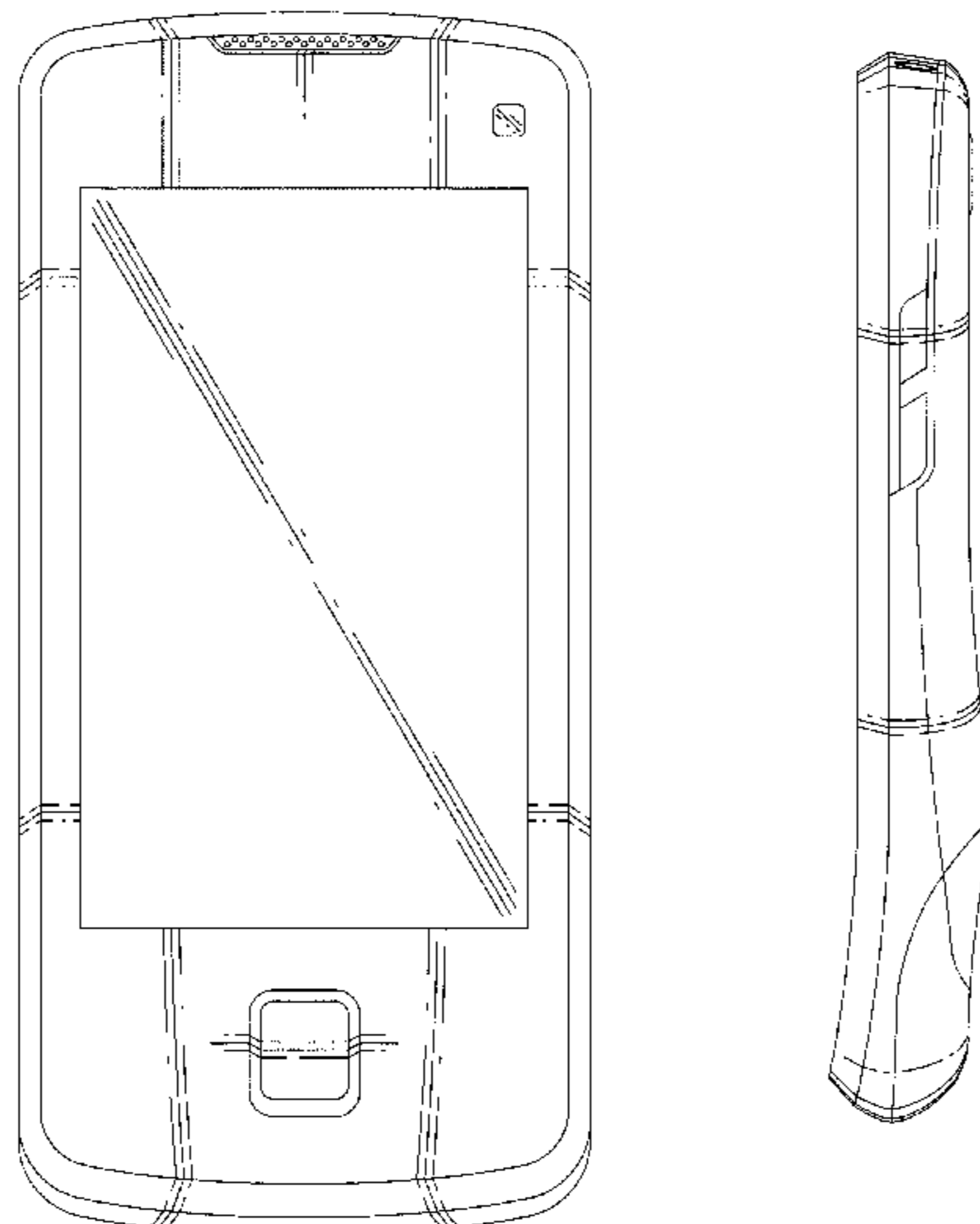


FIG. 1

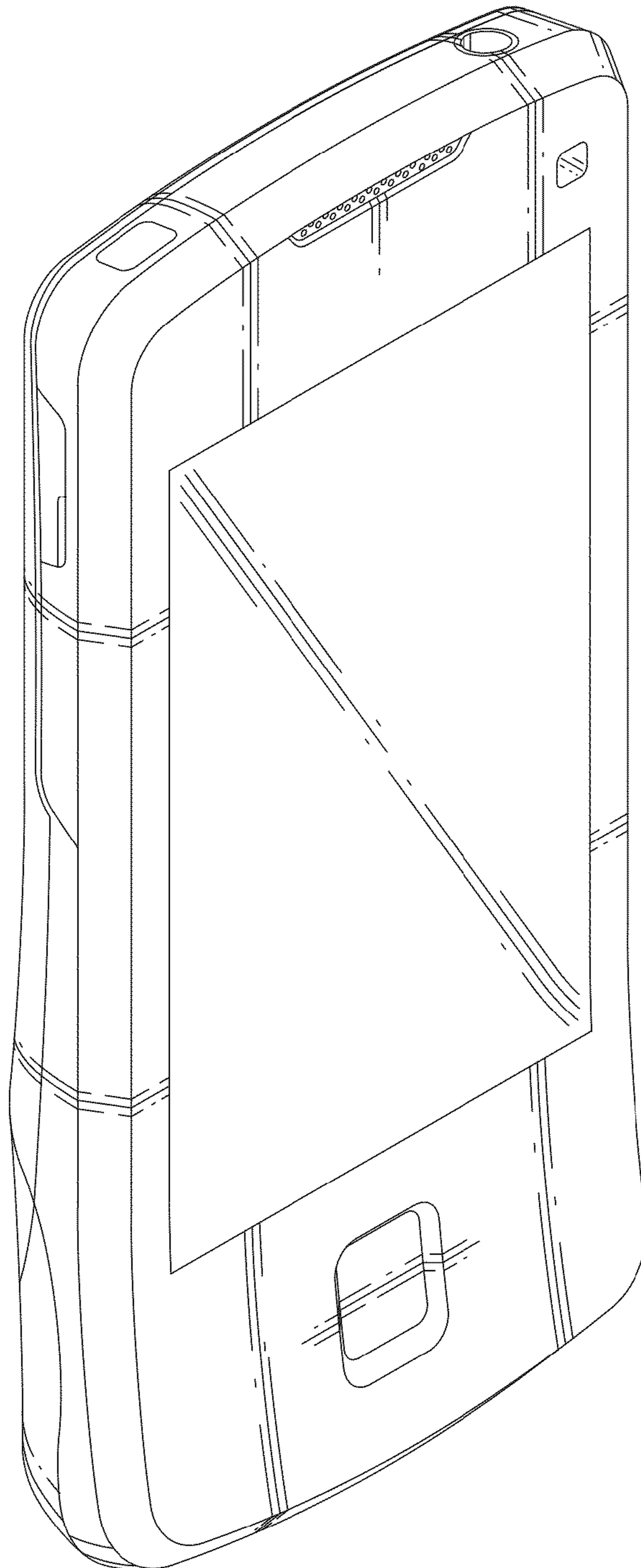


FIG. 2

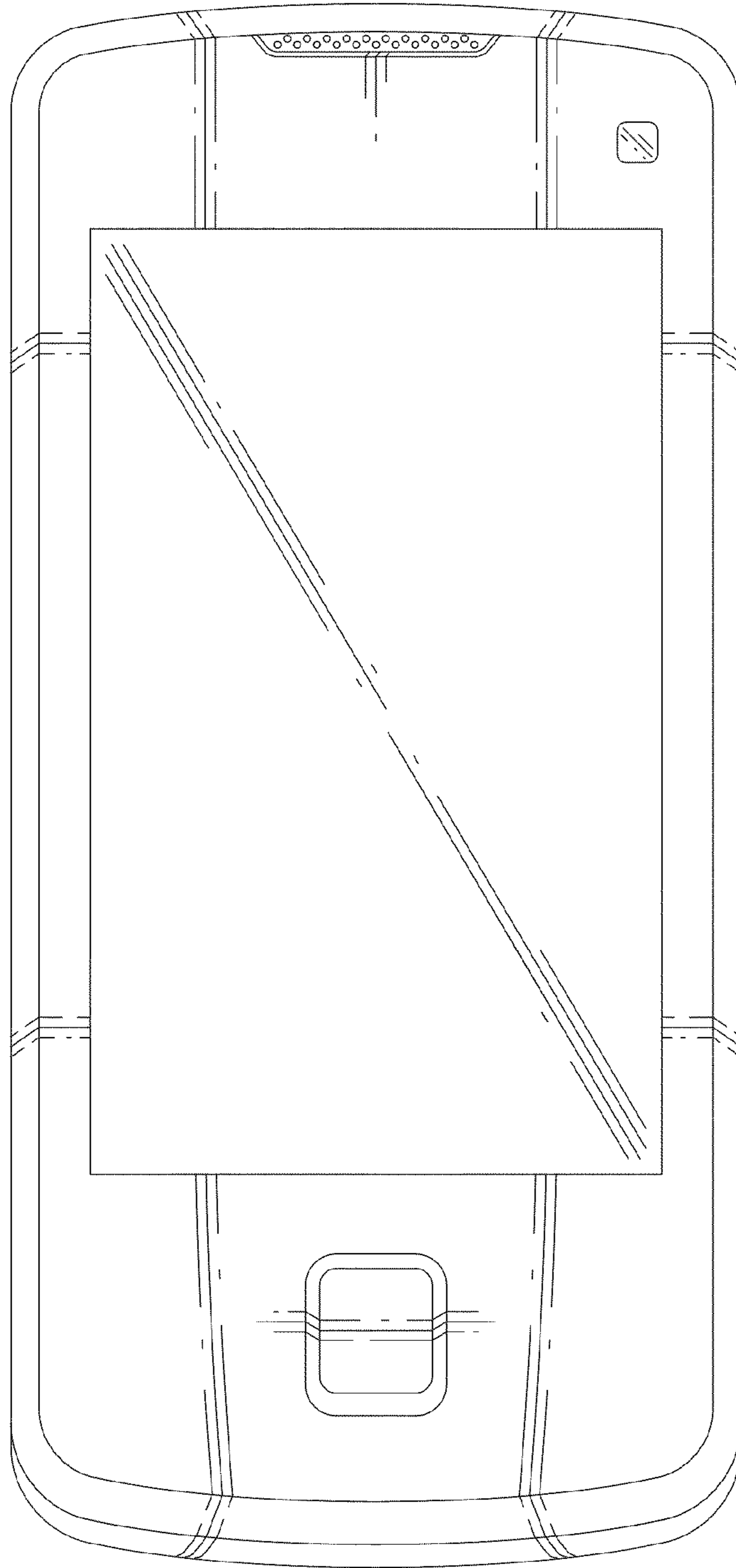


FIG. 3

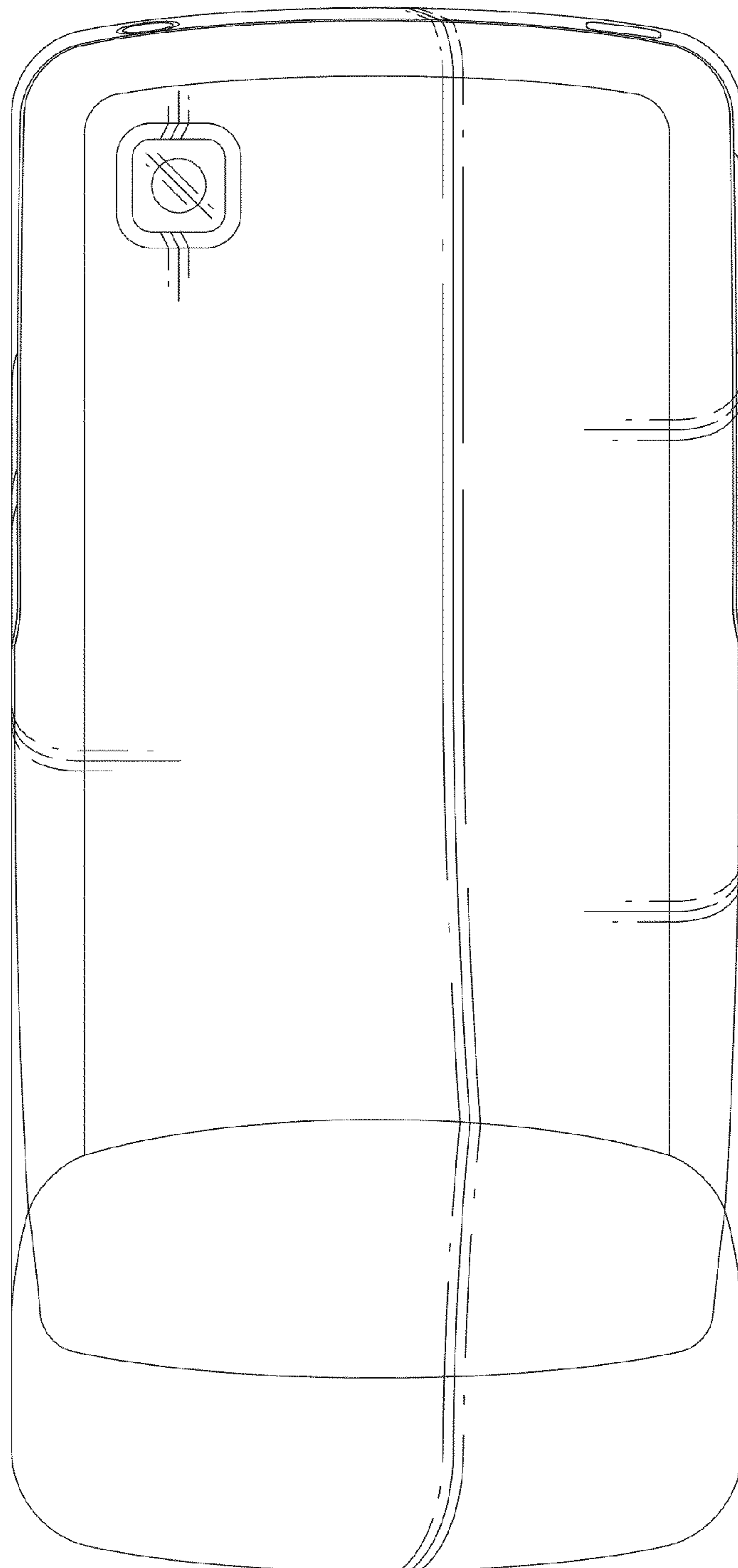


FIG. 4

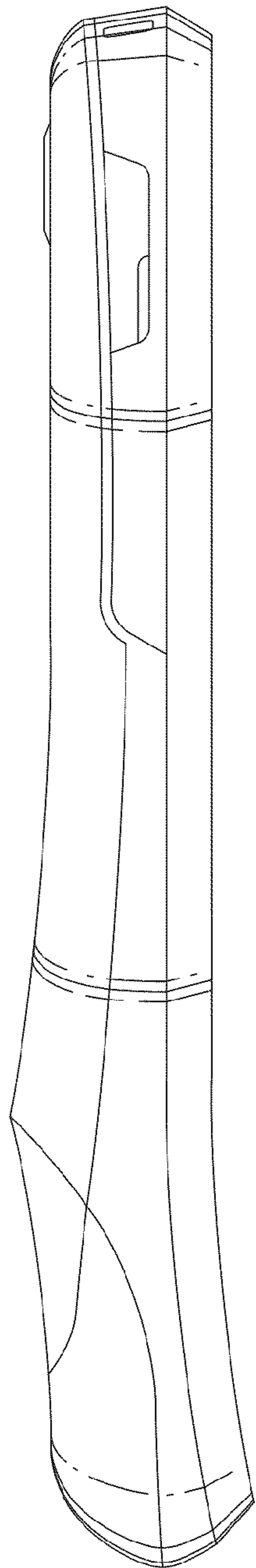


FIG. 5

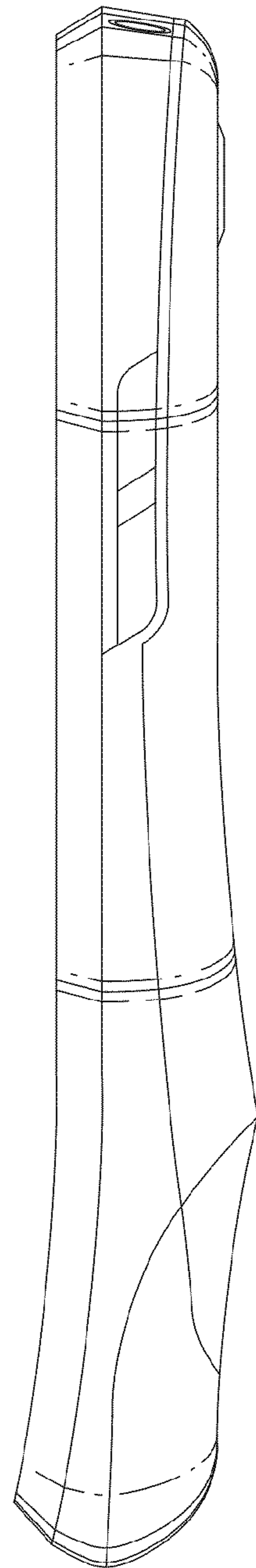


FIG. 6

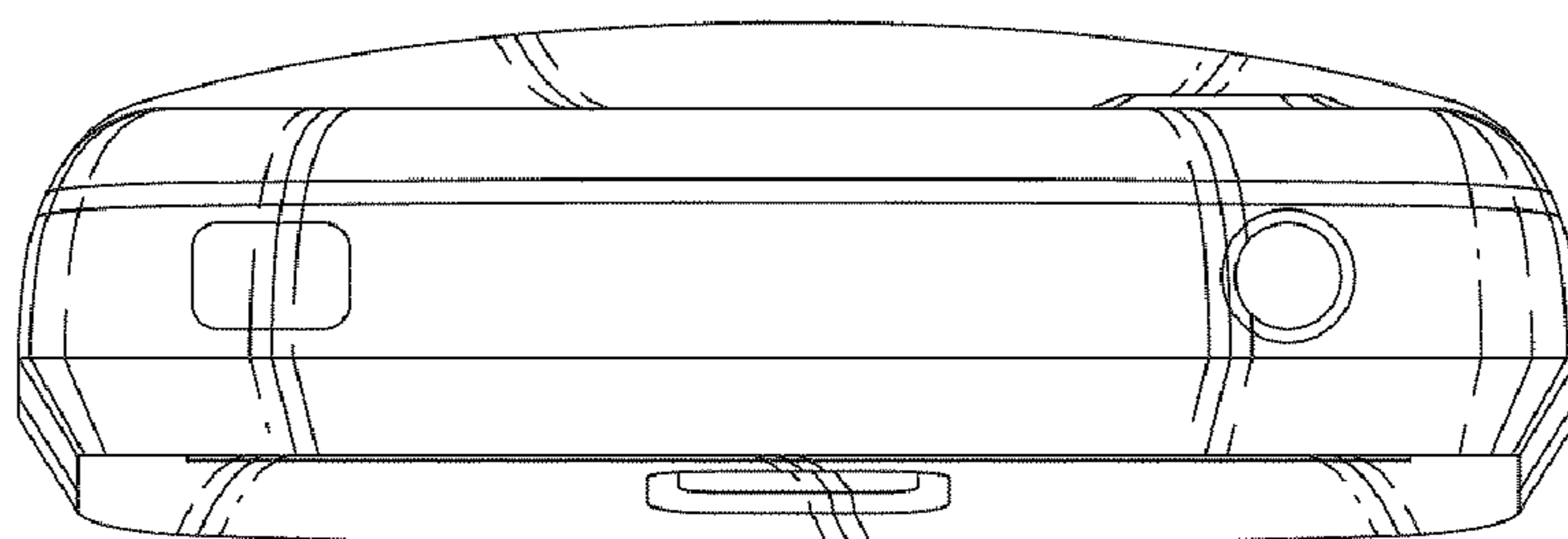


FIG. 7

