



US00D646659S

(12) **United States Design Patent**  
**Liberatore**

(10) **Patent No.:** **US D646,659 S**

(45) **Date of Patent:** **\*\* Oct. 11, 2011**

(54) **DIGITAL ALBUM OR BOOK**

FOREIGN PATENT DOCUMENTS

(75) Inventor: **Raymond A. Liberatore**, Bentonville, AR (US)

JP 03-129617 2/2007  
(Continued)

(73) Assignee: **Truview Digital, Inc.**, Bentonville, AR (US)

OTHER PUBLICATIONS

(\*\*) Term: **14 Years**

International Search Report and Written Opinion of the International Searching Authority with mail date of Aug. 28, 2009, for related International Application No. PCT/US2009/036781.

(21) Appl. No.: **29/353,256**

(Continued)

(22) Filed: **Jan. 6, 2010**

*Primary Examiner* — Cathron C Brooks

(51) **LOC (9) Cl.** ..... **14-03**

*Assistant Examiner* — Barbara Fox

(52) **U.S. Cl.** ..... **D14/132; D14/345**

(74) *Attorney, Agent, or Firm* — Myers Wolin, LLC

(58) **Field of Classification Search** ..... D14/341–347, D14/138, 454–456, 391, 218, 327, 338, 387, D14/390, 399, 426, 429, 432, 439, 137, 247, D14/496, 125, 126, 129, 318, 326, 248, 132, D14/299; D18/7; D13/168; D21/517, 329, D21/330, 331; D10/65, 104; D19/26; 455/556.1, 455/556.2, 566, 575.1; 361/680; 345/169; 379/433.04, 433.06, 433.07, 433.11, 433.12, 379/433.13; 348/14.02; D3/201  
See application file for complete search history.

(57) **CLAIM**

The ornamental design for a digital album or book, as shown and described.

**DESCRIPTION**

FIG. 1 is a front isometric view of a digital album or book showing the new design in a closed position; FIG. 2 is a front elevational view thereof, the rear elevational view being identical; FIG. 3 is a left side elevational view thereof; FIG. 4 is a right side elevation thereof; FIG. 5 is a top plan view thereof; FIG. 6 is a bottom plan view thereof; FIGS. 7-9 are bottom plan views thereof in various stages of an opened position; FIG. 10 is a bottom plan view thereof in a fully opened position; and, FIG. 11 is a front isometric view thereof in a fully opened position.

The broken lines depicted by equally spaced dashed lines represent stitching and form part of the claimed design, while the broken lines depicted by a “dash-dot-dash” configuration represent unclaimed portions of the digital album or book and form no part of the claimed design.

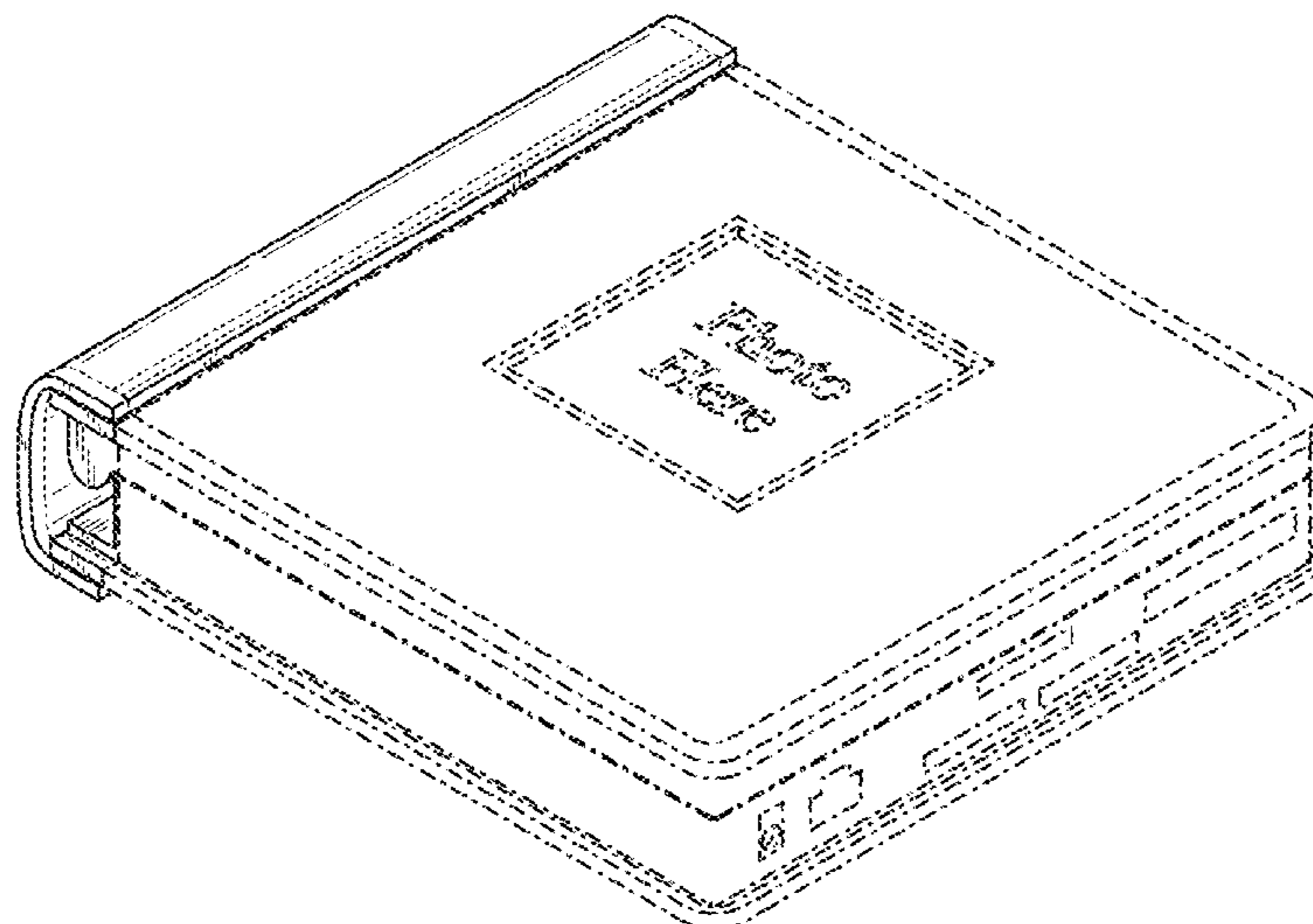
(56) **References Cited**

U.S. PATENT DOCUMENTS

4,159,417	A	6/1979	Rubincam	
4,855,725	A	8/1989	Fernandez	
5,109,354	A	4/1992	Yamashita et al.	
D338,455	S *	8/1993	Suge	D14/345
5,467,102	A	11/1995	Kuno et al.	
5,534,888	A *	7/1996	Lebby et al.	345/672
5,572,399	A	11/1996	Shirato et al.	
5,661,635	A	8/1997	Huffman et al.	
5,663,748	A	9/1997	Huffman et al.	
5,703,624	A	12/1997	van Kruistum	
5,761,485	A	6/1998	Munyan	
5,847,698	A	12/1998	Reavey et al.	
D410,028	S *	5/1999	Fyffe	D14/345
5,914,707	A	6/1999	Kono	

(Continued)

**1 Claim, 4 Drawing Sheets**



# US D646,659 S

Page 2

## U.S. PATENT DOCUMENTS

5,949,643 A 9/1999 Batio  
6,065,076 A 5/2000 Sorenson  
6,072,476 A 6/2000 Harada et al.  
6,229,502 B1 5/2001 Schwab  
6,252,602 B1 6/2001 Matsuda et al.  
D445,408 S \* 7/2001 Hwang ..... D14/132  
6,313,828 B1 \* 11/2001 Chombo ..... 345/169  
6,473,058 B1 10/2002 Hotomi et al.  
6,512,497 B1 \* 1/2003 Kondo et al. .... 345/1.1  
6,642,909 B1 11/2003 Oliva  
6,919,877 B2 7/2005 Hong  
6,972,752 B2 12/2005 Nako et al.  
7,019,871 B2 3/2006 Risheq  
7,079,293 B2 7/2006 Risheq  
7,138,982 B2 11/2006 Sugimoto  
7,215,441 B2 5/2007 Silverbrook et al.  
7,295,343 B2 11/2007 Silverbrook et al.  
D557,698 S \* 12/2007 Lye ..... D14/447  
D580,432 S \* 11/2008 Yun et al. .... D14/345  
D582,661 S \* 12/2008 Katsof ..... D3/201  
D589,014 S \* 3/2009 Zhan ..... D14/132

D610,794 S \* 3/2010 Chiu ..... D3/201  
2003/0090457 A1 5/2003 Hong  
2004/0027442 A1 2/2004 Silverbrook et al.  
2004/0095481 A1 5/2004 Silverbrook et al.  
2004/0201778 A1 10/2004 Risheq  
2004/0205646 A1 10/2004 Sachs et al.  
2005/0060636 A1 3/2005 Mathe  
2007/0133055 A1 6/2007 Johnson  
2007/0168883 A1 7/2007 Sugimoto  
2008/0076103 A1 \* 3/2008 Wallace ..... 434/317  
2009/0102807 A1 \* 4/2009 Kashiwa et al. .... 345/173

## FOREIGN PATENT DOCUMENTS

JP 2007-333797 12/2007  
KR 10-2003-0073501 9/2003

## OTHER PUBLICATIONS

International Search Report and Written Opinion of the International Searching Authority with mail date of Aug. 3, 2010, for related International Application No. PCT/US2010/026960.

\* cited by examiner

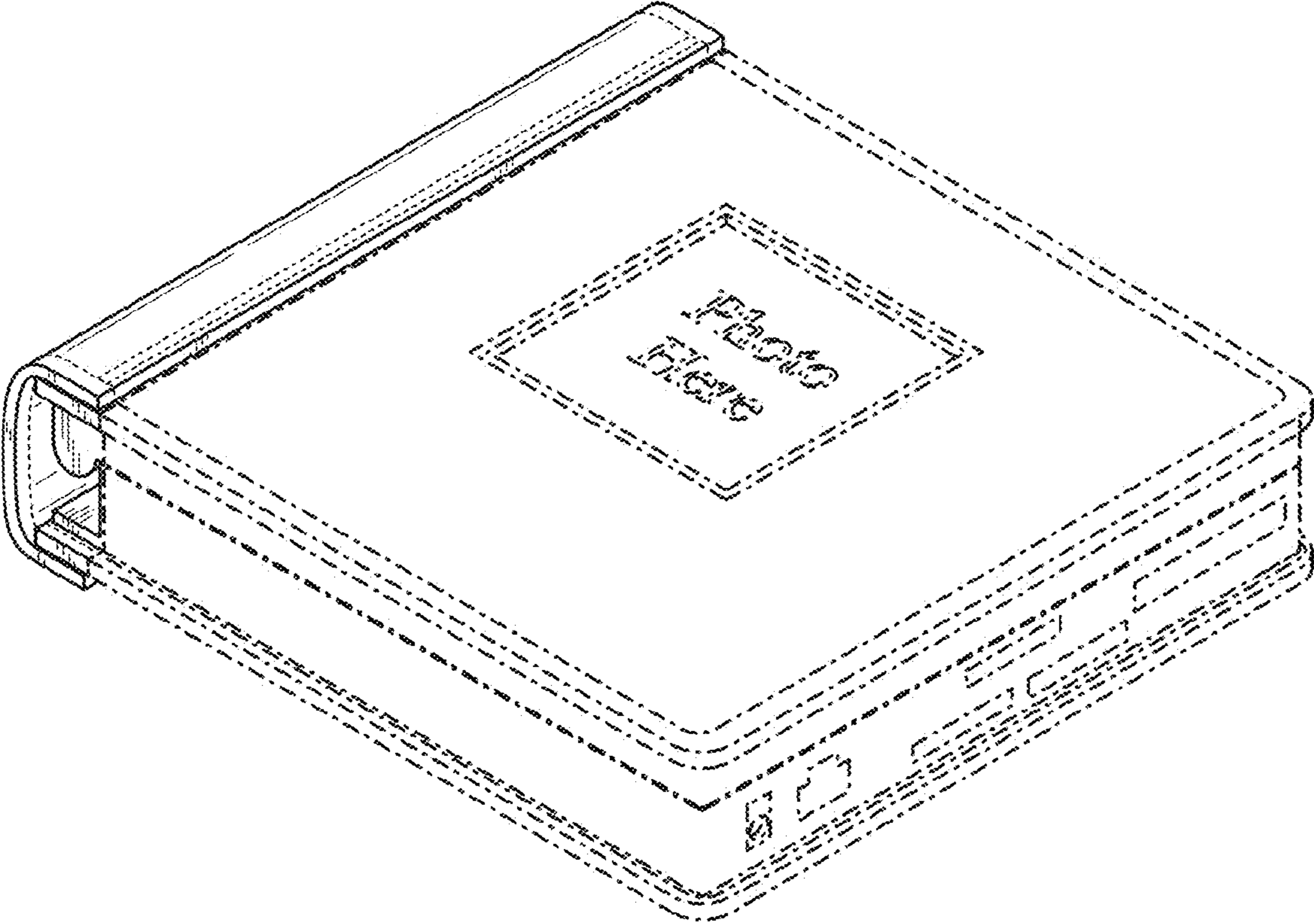
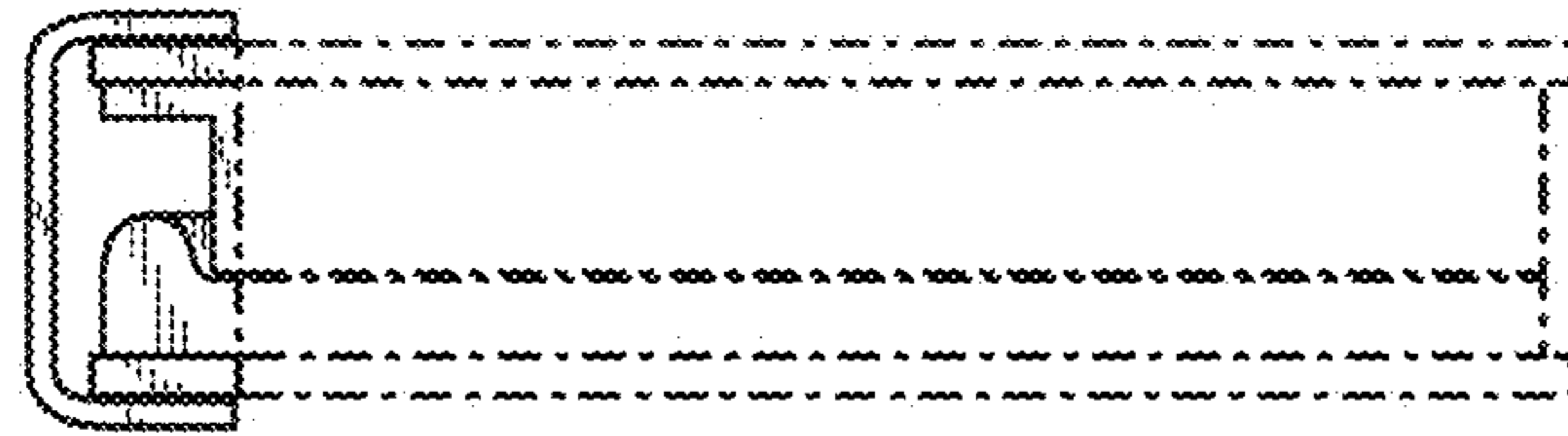
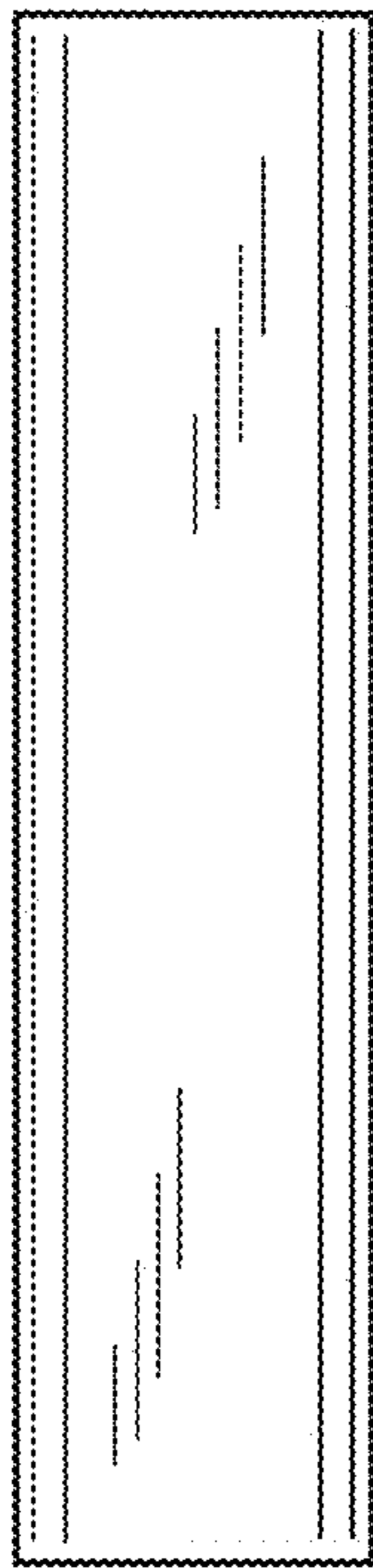


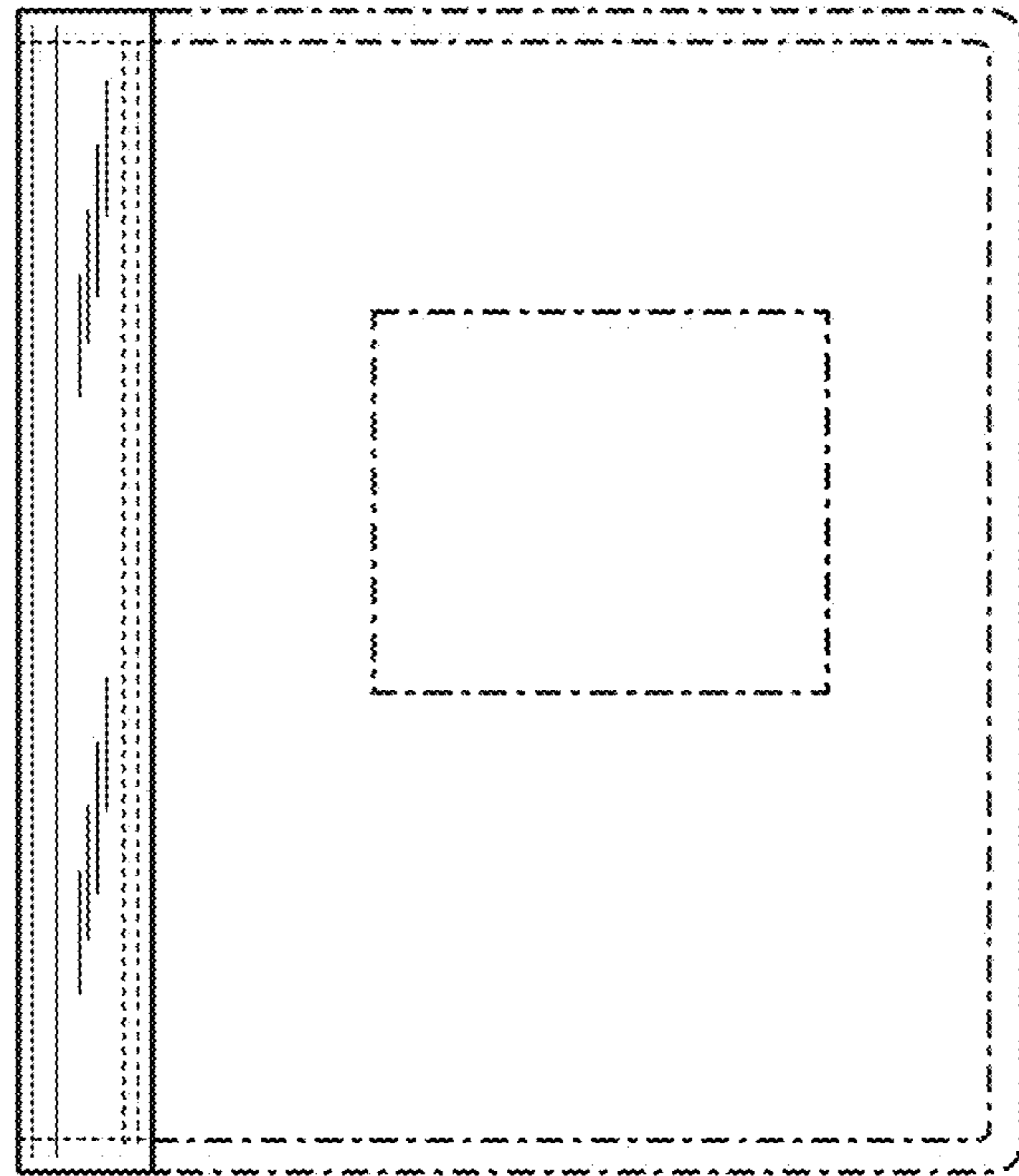
FIG. 1



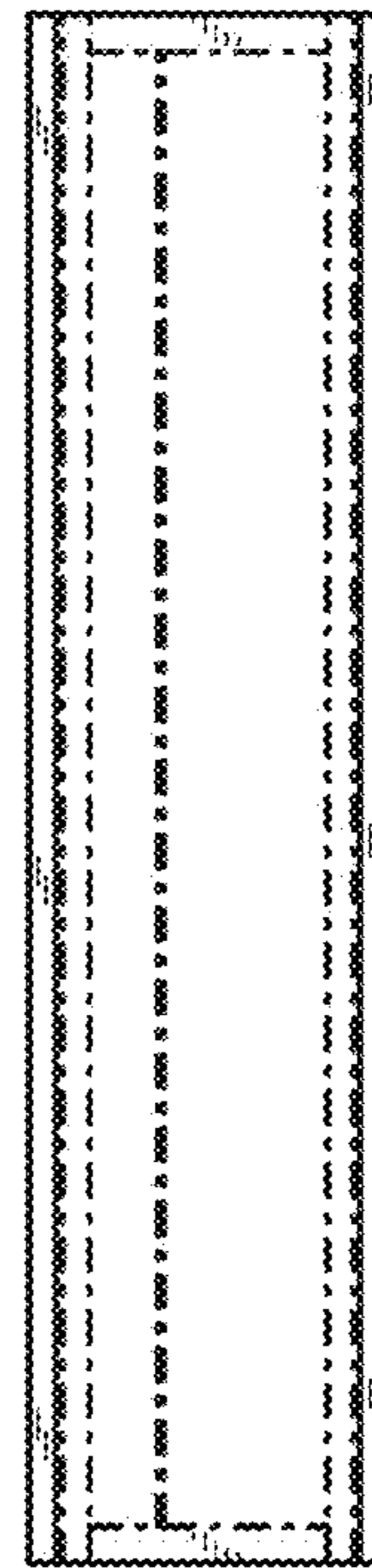
*FIG. 5*



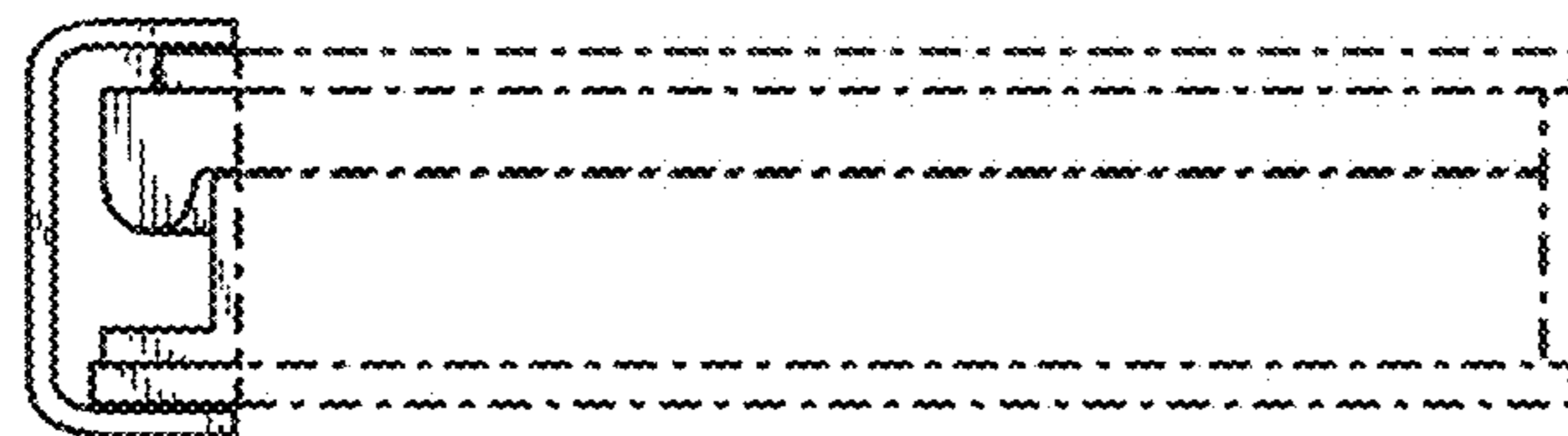
*FIG. 3*



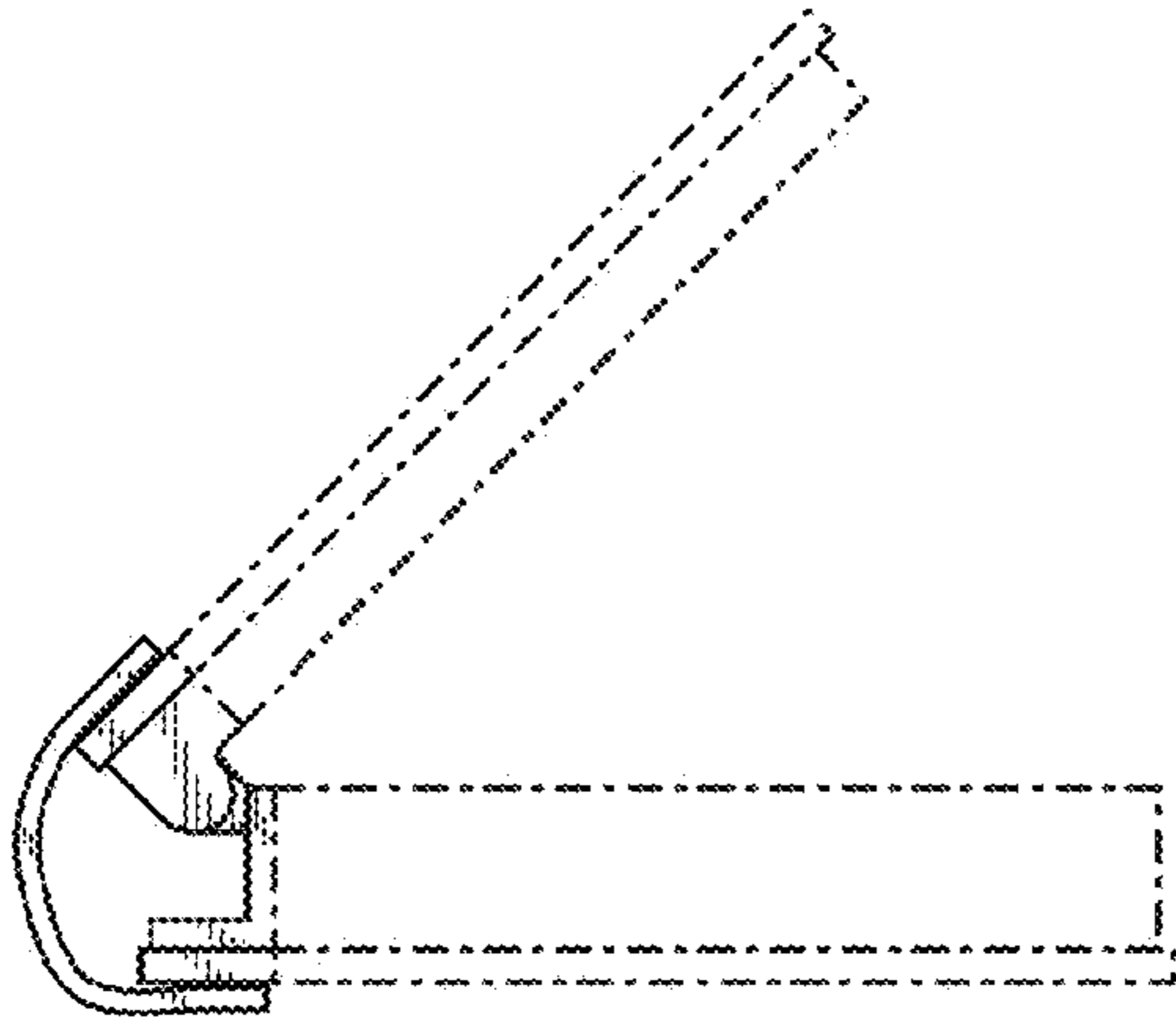
*FIG. 2*



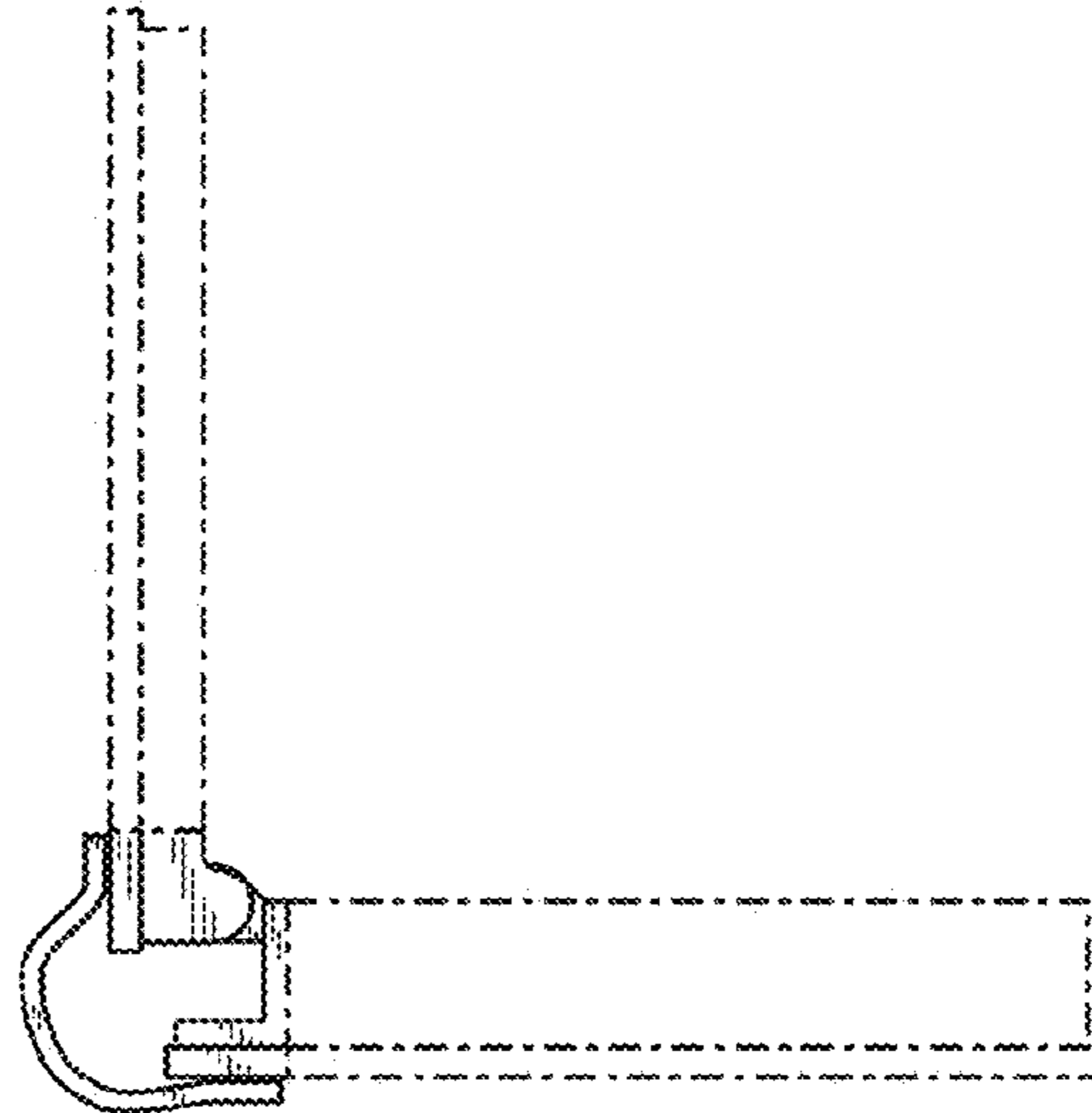
*FIG. 4*



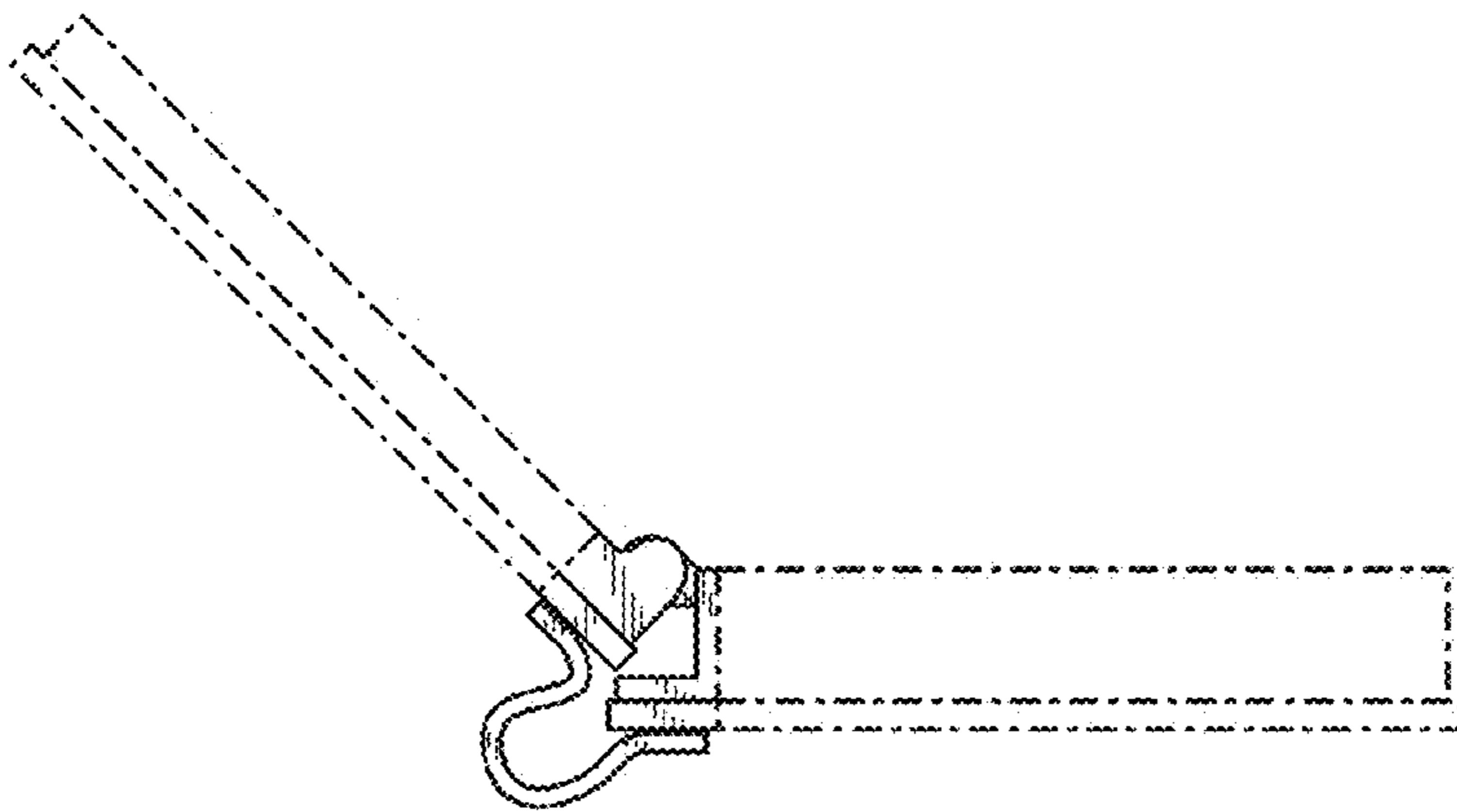
*FIG. 6*



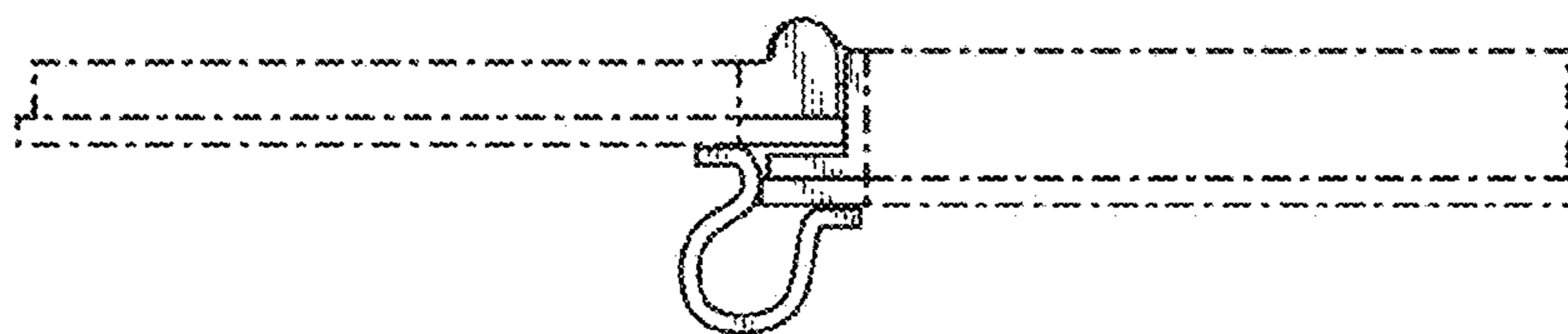
*FIG. 7*



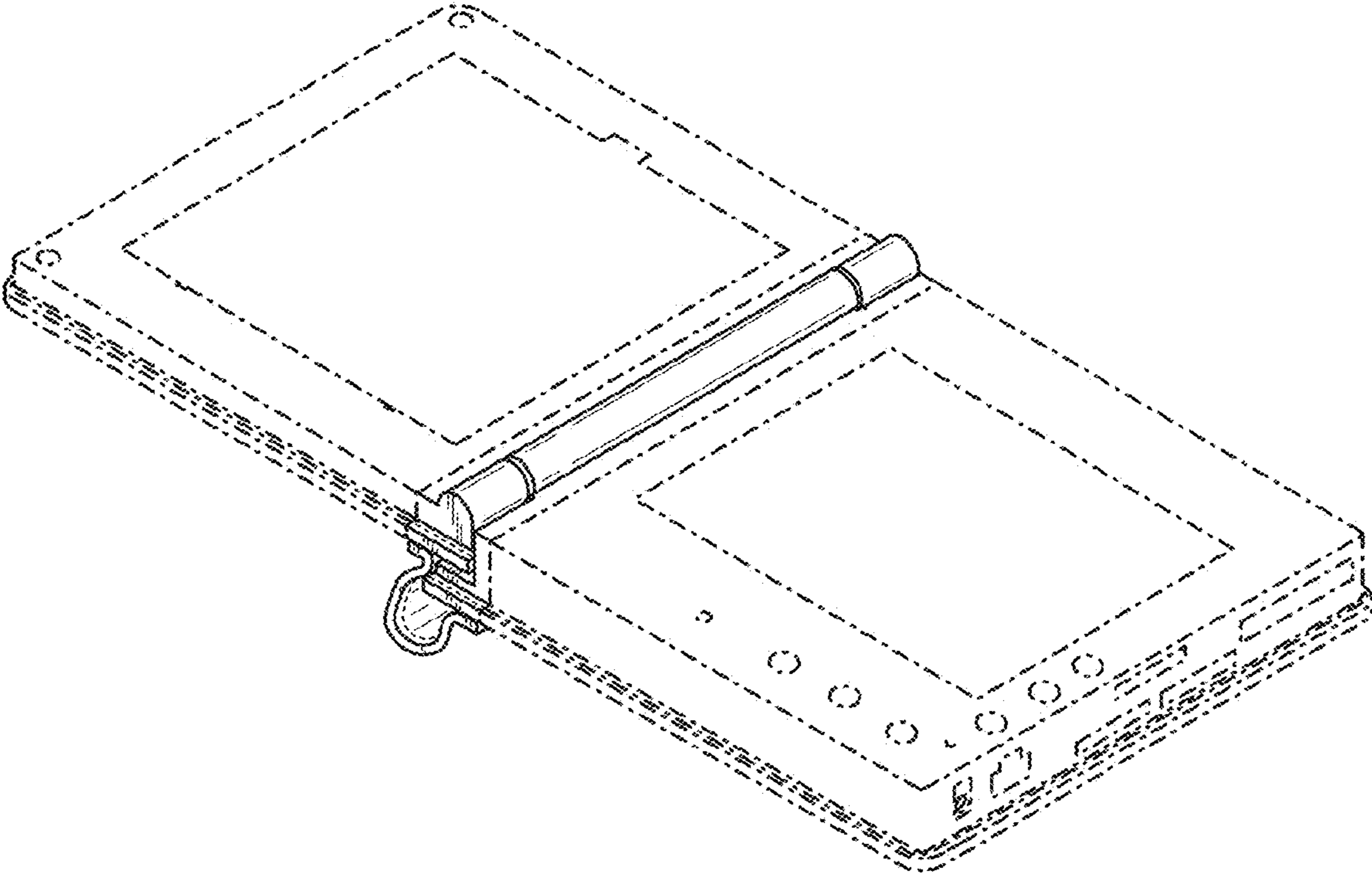
*FIG. 8*



*FIG. 9*



*FIG. 10*



*FIG. 11*