



US00D646640S

(12) **United States Design Patent**
Clymer et al.

(10) **Patent No.:** **US D646,640 S**
(45) **Date of Patent:** **** Oct. 11, 2011**

(54) **IN-CORD LOAD CONTROL DEVICE**

(75) Inventors: **Erica L. Clymer**, Nazareth, PA (US);
Alexandre François Ledoux, Lower
Gwynedd, PA (US); **Elliot G. Jacoby**,
Glenside, PA (US); **Noel Mayo**,
Philadelphia, PA (US)

(73) Assignee: **Lutron Electronics Co., Inc.**,
Coopersburg, PA (US)

(**) Term: **14 Years**

(21) Appl. No.: **29/389,439**

(22) Filed: **Apr. 12, 2011**

Related U.S. Application Data

(62) Division of application No. 29/360,336, filed on Apr. 23, 2010, now Pat. No. Des. 638,372.

(51) **LOC (9) Cl.** **13-03**

(52) **U.S. Cl.** **D13/160; D13/162**

(58) **Field of Classification Search** D13/123,
D13/125, 158, 160, 162, 164, 171; 439/417-419,
439/395-404, 465, 695, 696, 701; D32/60,
D32/61; 338/179, 198; 174/50, 66, 65 R,
174/67, 70 R, 77 R, 77 S, 92; 200/5 R, 43.11,
200/43.14, 50.01, 50.15, 293, 293.1, 303,
200/401; 361/42, 44, 45, 50, 71, 115, 118,
361/119, 679; 335/374, 68, 132, 202; 15/230.11;
401/121, 127, 137, 146, 197; D4/122, 123;
D8/373-386

See application file for complete search history.

(56) **References Cited**

U.S. PATENT DOCUMENTS

D307,579 S * 5/1990 Layne et al. D13/137.3
D313,971 S * 1/1991 Rosenbaum et al. D13/160
D358,368 S * 5/1995 Howard et al. D13/160
5,499,930 A * 3/1996 Cieri 439/417

D391,922 S * 3/1998 Aromin D13/160
D439,220 S * 3/2001 Mayo et al. D13/125
D484,405 S 12/2003 Morin
D519,937 S * 5/2006 Laurent et al. D13/160
D560,618 S 1/2008 Hewson et al.
D561,115 S 2/2008 Hewson et al.
D567,185 S * 4/2008 Mayo et al. D13/158
D570,298 S 6/2008 Hewson et al.
D576,564 S * 9/2008 Hewson et al. D13/162
D626,921 S * 11/2010 Pang D13/158
D630,593 S 1/2011 Clymer et al.
D638,372 S 5/2011 Clymer et al.

OTHER PUBLICATIONS

Crestron Electronics, Inc., Crestron CLF-DIMRFB infinET Lamp Dimmer Specification Sheet, Dec. 2007, 1 sheet.

Colorado Vnet, LLC, Wireless Wall Plug Dimmer and Wall Plug Switch Data Sheet, Sep. 18, 2008, 2 pages.

* cited by examiner

Primary Examiner — Thomas Johannes

(74) *Attorney, Agent, or Firm* — Mark E. Rose; Philip N. Smith; Bridget L. McDonough

(57) **CLAIM**

We claim the ornamental design for an in-cord load control device, as shown and described.

DESCRIPTION

FIG. 1 is a front perspective view of an in-cord load control device according to our new design.

FIG. 2 is a front elevation view thereof.

FIG. 3 is a left side elevation view thereof.

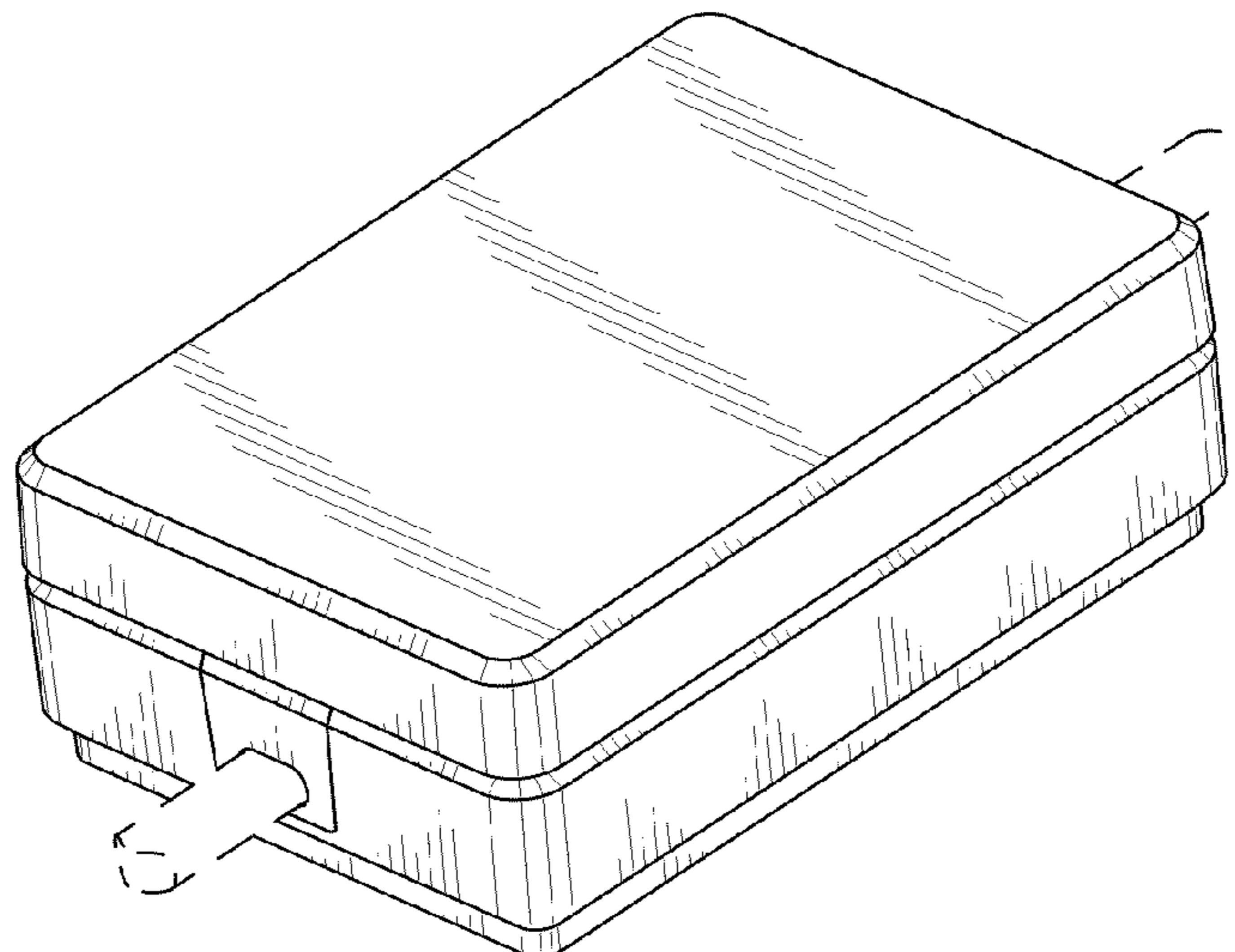
FIG. 4 is a right side elevation view thereof.

FIG. 5 is a top plan view thereof; and,

FIG. 6 is a bottom plan view thereof.

The rear view forms no part of the design and is omitted. The portions of the drawings appearing in broken line show unclaimed subject matter only and do not form a part of the claimed design.

1 Claim, 4 Drawing Sheets



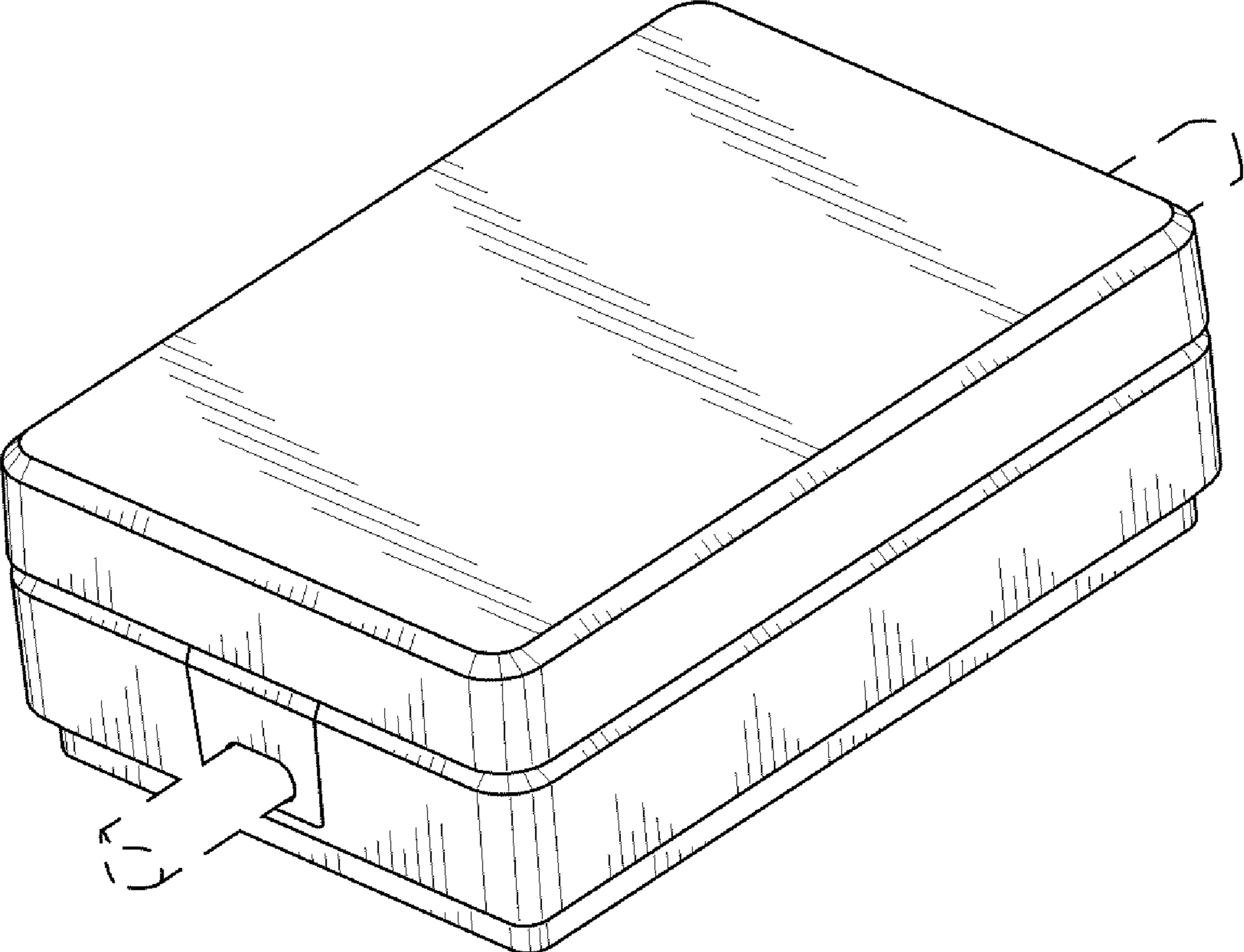


Fig. 1

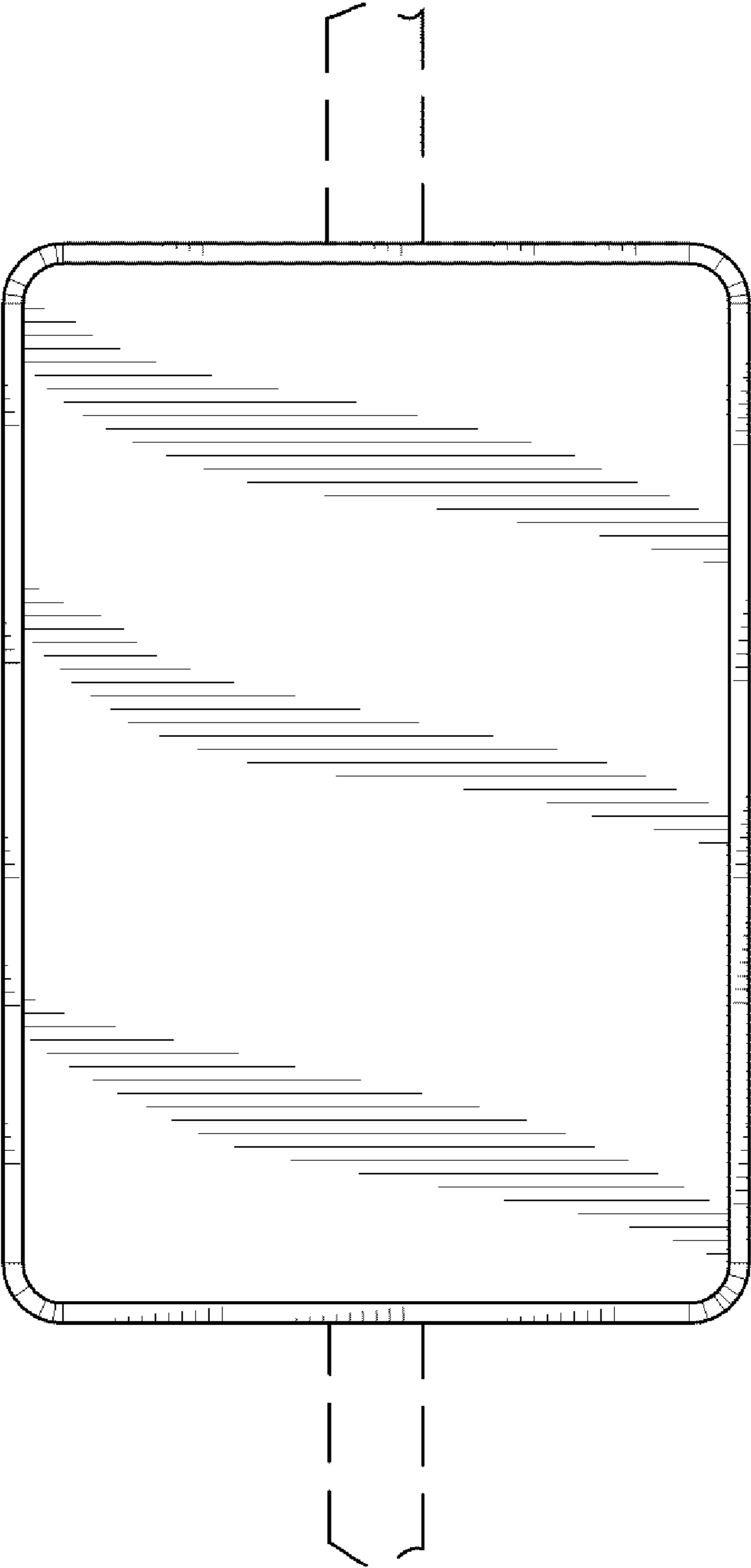


Fig. 2

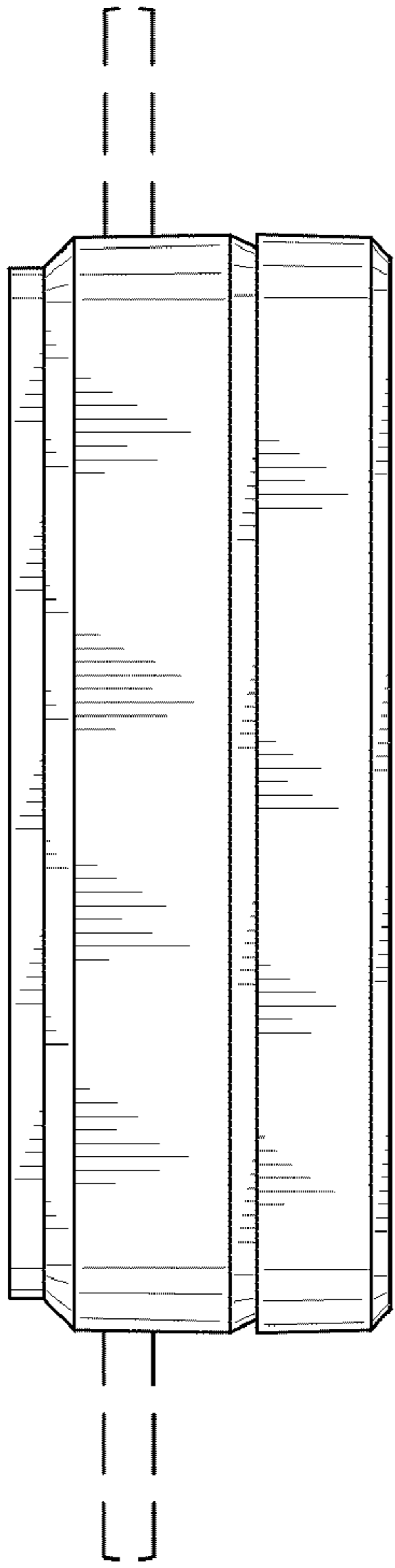


Fig. 3

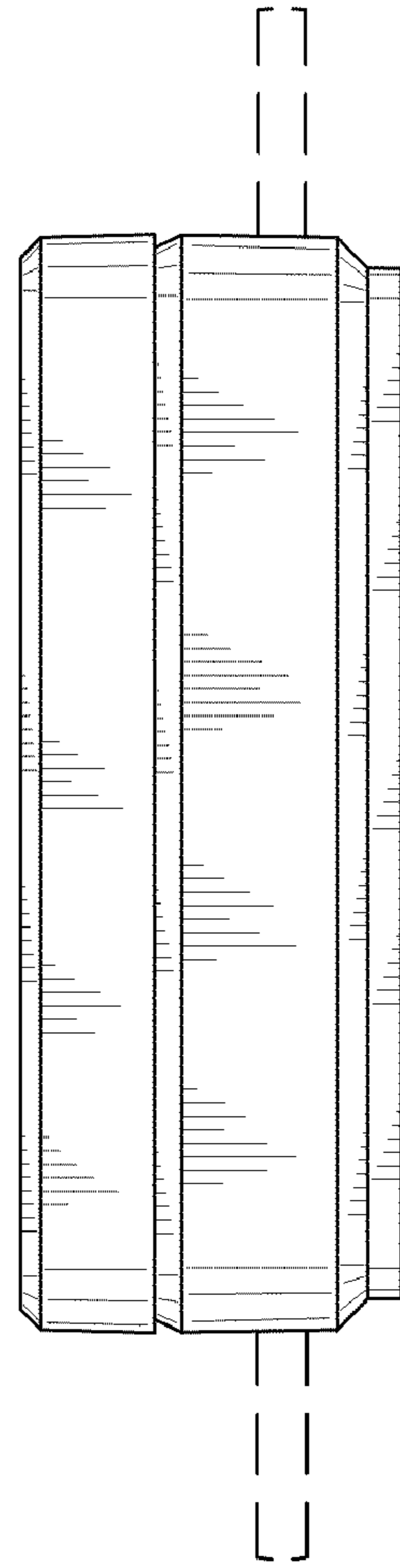


Fig. 4

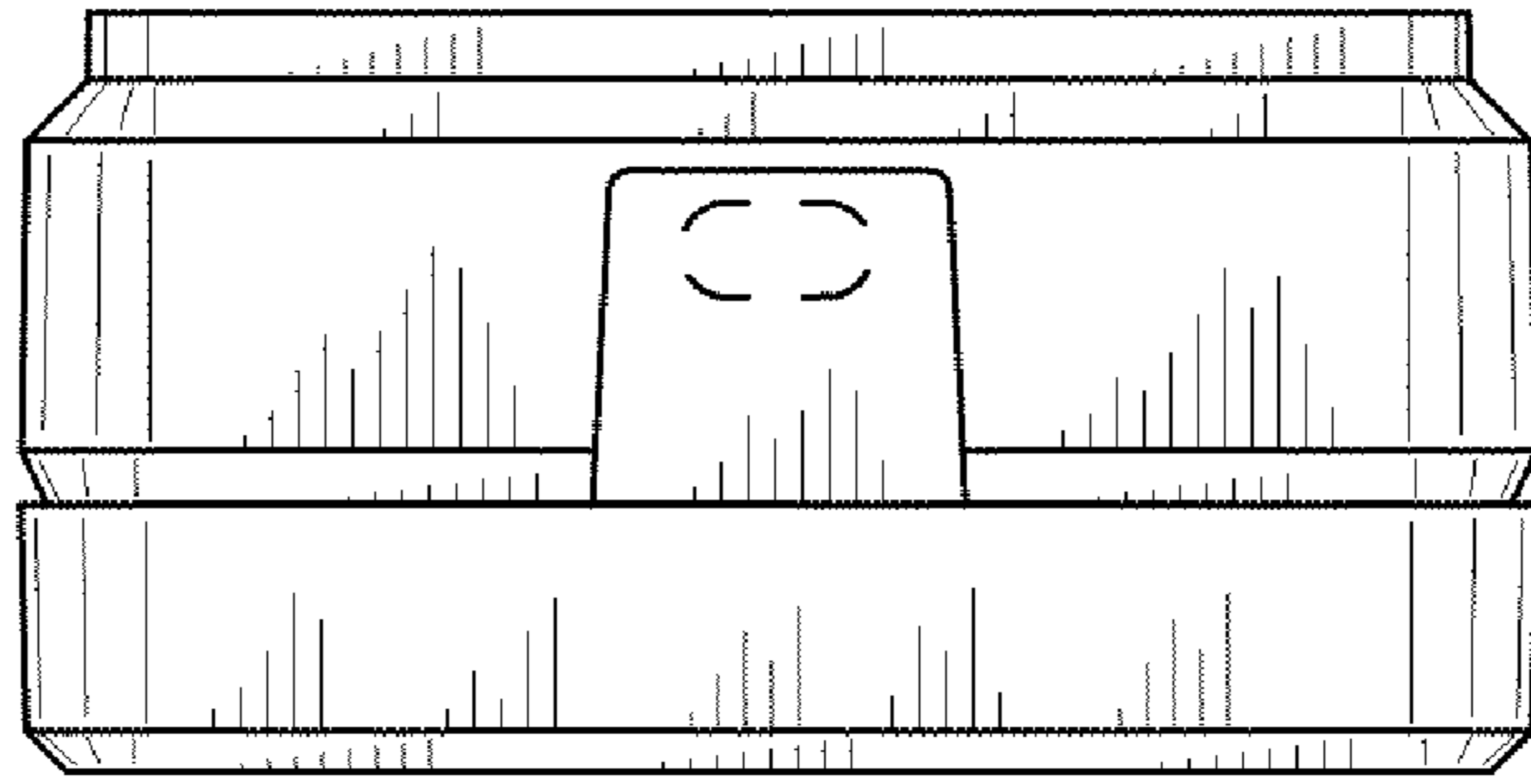


Fig. 5

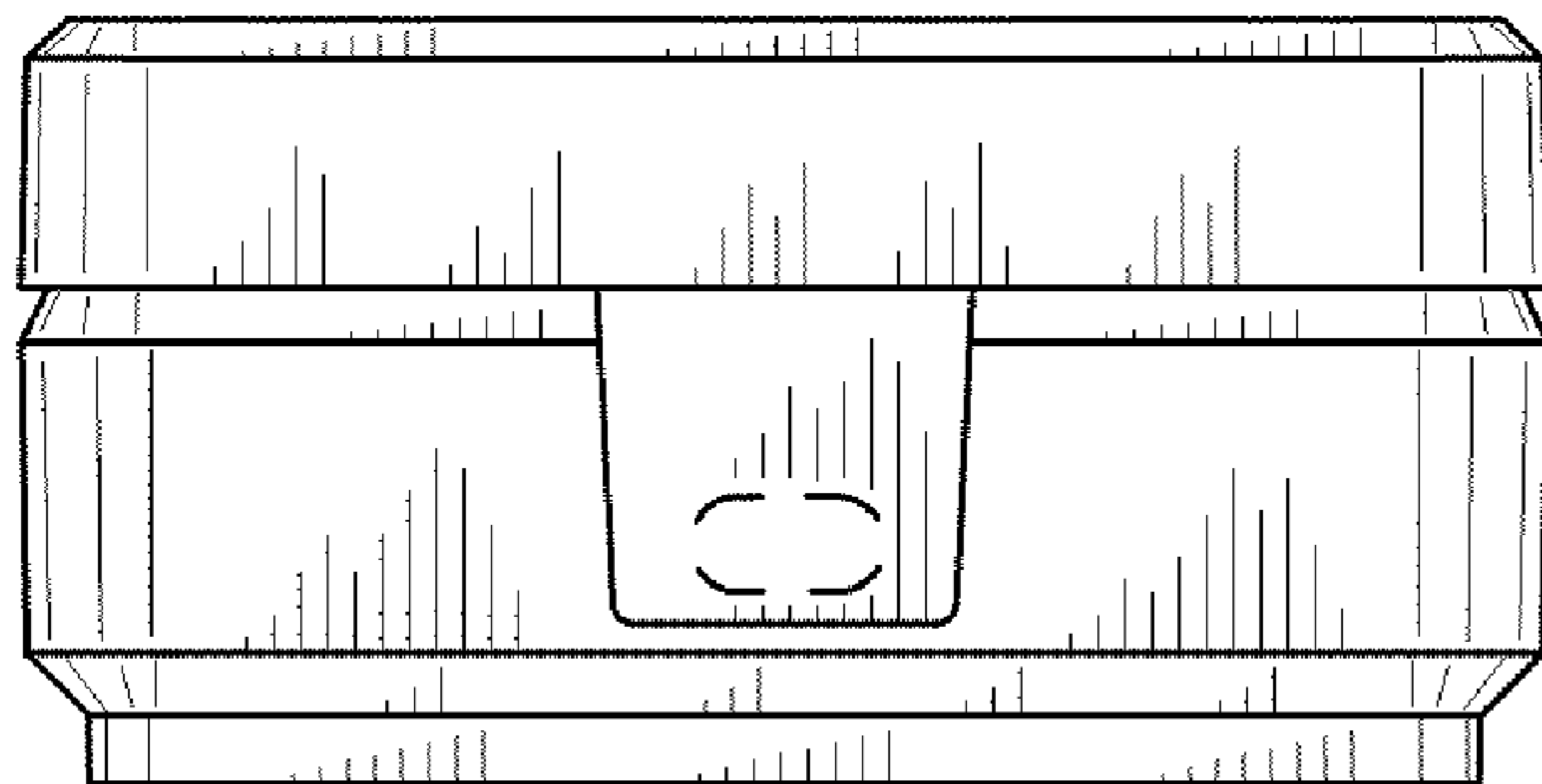


Fig. 6