



US00D646634S

(12) **United States Design Patent**  
**Kipka**

(10) **Patent No.:** **US D646,634 S**  
(45) **Date of Patent:** **\*\* Oct. 11, 2011**

(54) **GENSET**

(75) Inventor: **Shawn J. Kipka**, Saint Francis, MN  
(US)

(73) Assignee: **Cummins Power Generation IP, Inc.**,  
Minneapolis, MN (US)

(\*\*) Term: **14 Years**

(21) Appl. No.: **29/349,818**

(22) Filed: **May 5, 2010**

(51) **LOC (9) Cl.** ..... **13-01**

(52) **U.S. Cl.** ..... **D13/114**

(58) **Field of Classification Search** ..... D13/114,  
D13/112, 116, 122, 184, 199; 290/1 A, 1 B;  
307/150, 151, 153, 154; 322/1, 14, 16  
See application file for complete search history.

(56) **References Cited**

**U.S. PATENT DOCUMENTS**

- D244,385 S 5/1977 McCord
- D249,788 S \* 10/1978 Nanjo ..... D13/116
- 4,677,940 A 7/1987 Bracht et al.
- 4,733,750 A 3/1988 Poirier et al.
- D303,785 S 10/1989 Waltz et al.
- 4,871,922 A 10/1989 Heinrich et al.
- 4,900,282 A 2/1990 Takahashi et al.
- D309,288 S 7/1990 Haverly
- D309,597 S \* 7/1990 Higuchi et al. .... D13/116
- 5,078,627 A 1/1992 Anderson
- 5,626,105 A 5/1997 Locke et al.
- 5,778,832 A 7/1998 King et al.
- 5,850,061 A 12/1998 Klompenhouwer et al.
- 5,862,794 A 1/1999 Yoshioka
- 5,899,174 A \* 5/1999 Anderson et al. .... 123/2
- 5,911,610 A 6/1999 Fujimoto
- 5,929,394 A 7/1999 Westerbeke, Jr.
- D416,537 S \* 11/1999 Imai et al. .... D13/116
- 6,053,785 A 4/2000 Kato et al.

- 6,116,374 A 9/2000 Westerbeke, Jr.
- 6,309,268 B1 10/2001 Mabru
- 6,435,925 B1 8/2002 Mabru
- 6,474,290 B1 11/2002 Coffey et al.
- 6,511,355 B1 1/2003 Woodward
- 6,579,137 B2 6/2003 Mabru
- D480,359 S \* 10/2003 Yamada et al. .... D13/114
- 6,661,107 B2 \* 12/2003 Higuchi et al. .... 290/1 A
- 6,662,555 B1 12/2003 Ishii
- D488,442 S \* 4/2004 Fan ..... D13/112

(Continued)

**FOREIGN PATENT DOCUMENTS**

JP 61-25921 2/1986

(Continued)

**OTHER PUBLICATIONS**

Onan Corporation. Service Manual. DF Series Generator Sets. Minneapolis, MN. Sep. 1994.

(Continued)

*Primary Examiner* — Stella Reid

*Assistant Examiner* — Derrick Holland

(74) *Attorney, Agent, or Firm* — Krieg DeVault LLP

(57) **CLAIM**

The ornamental design for a genset, as shown and described.

**DESCRIPTION**

FIG. 1 is a perspective view of a genset showing my new design;

FIG. 2 is a plan view of the front panel of FIG. 1.

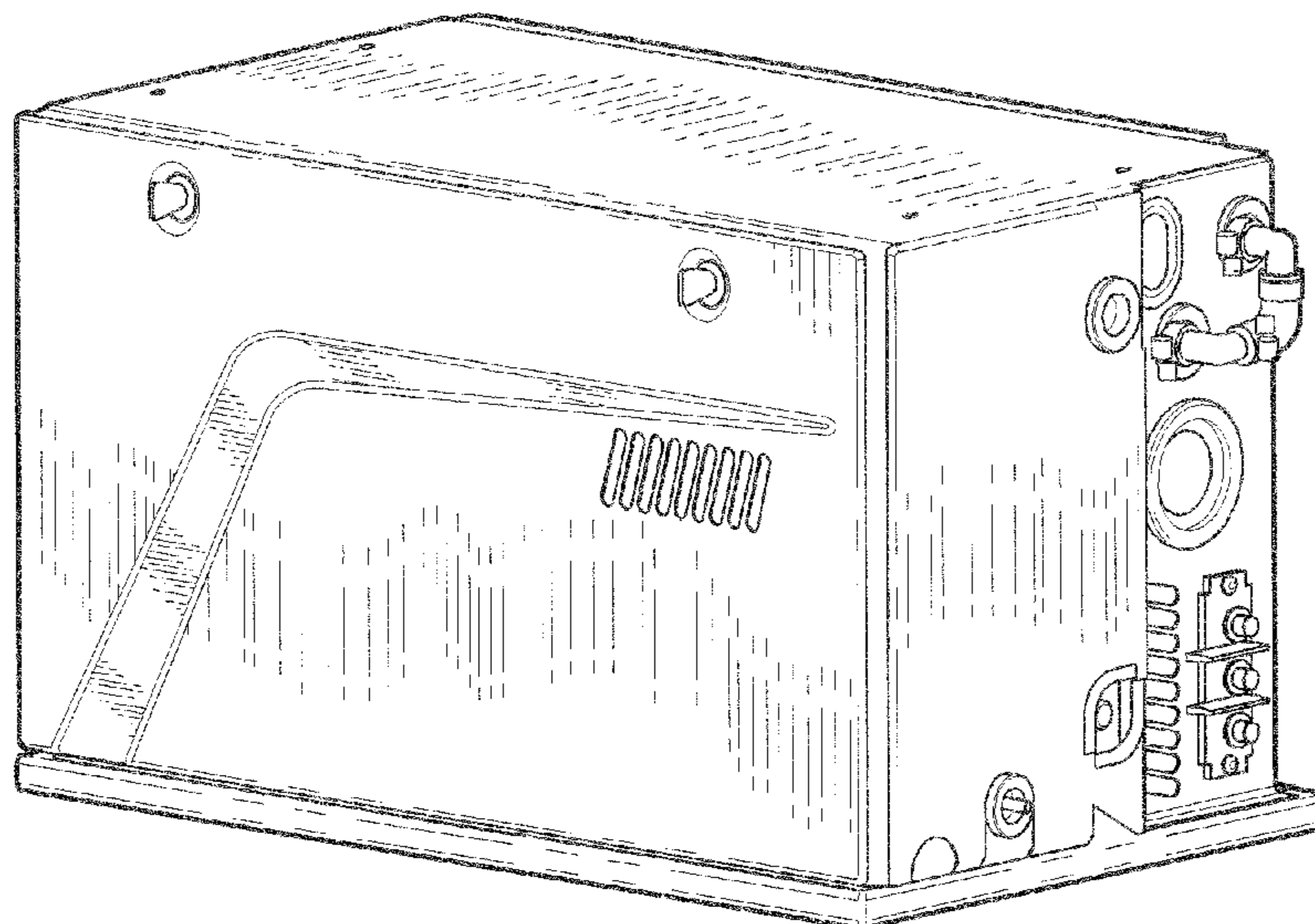
FIG. 3 is a plan view of the back panel of FIG. 1.

FIG. 4 is a perspective view of the right panel of FIG. 1;

FIG. 5 is a perspective view of the left panel of FIG. 1; and,

FIG. 6 is a plan view of the top panel of FIG. 1.

**1 Claim, 6 Drawing Sheets**



U.S. PATENT DOCUMENTS

7,309,927 B2 \* 12/2007 Sugiyama et al. .... 290/1 A  
 D569,796 S \* 5/2008 Snyder ..... D13/122  
 D575,733 S \* 8/2008 Murata et al. .... D13/114  
 2002/0000342 A1 \* 1/2002 Yamada et al. .... 181/204  
 2002/0072282 A1 6/2002 Mabru  
 2004/0021320 A1 \* 2/2004 Yamada et al. .... 290/1 B  
 2005/0161281 A1 7/2005 Klinkert et al.

FOREIGN PATENT DOCUMENTS

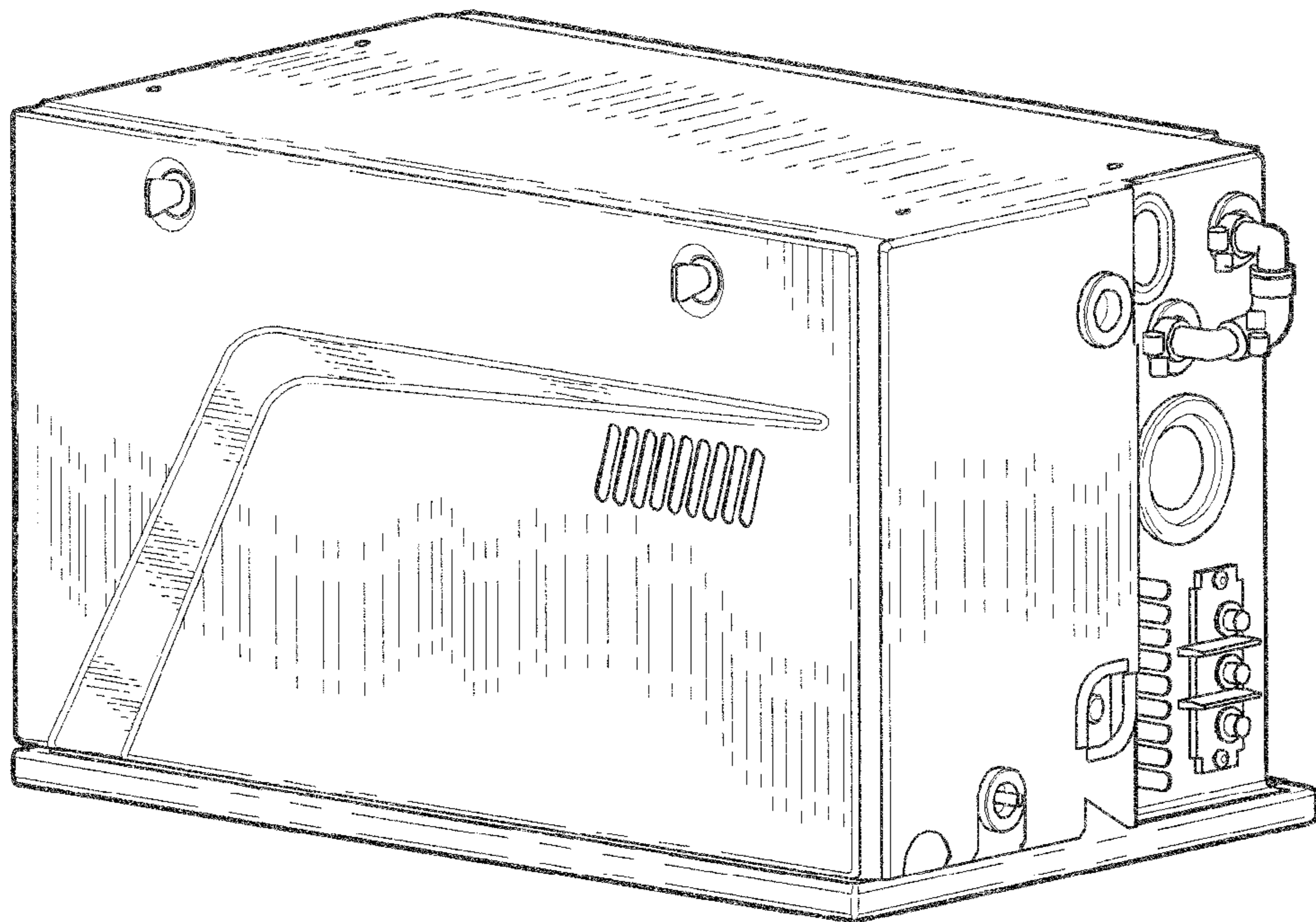
JP 63-302139 12/1988  
 JP 2004-60569 2/2004  
 WO WO 02/45189 6/2002  
 WO WO 2010/060481 6/2010  
 WO WO 2010/060482 6/2010

OTHER PUBLICATIONS

Diesel and Gas Generator Set, <http://www2.savoiapower.com/users/brawner/grupos1-en.html>. Mar. 2, 2000.  
 Earnest, G. Scott, Dunn, Kevin H., Hall, Ronald M., McCammon, Jane B., McCleery, Rob, and Jones, Aaron. An Evaluation of an Emission Control Device, Exhaust Stack, and Interlock to Prevent Carbon Monoxide Poisonings of Individuals on Houseboats, Report

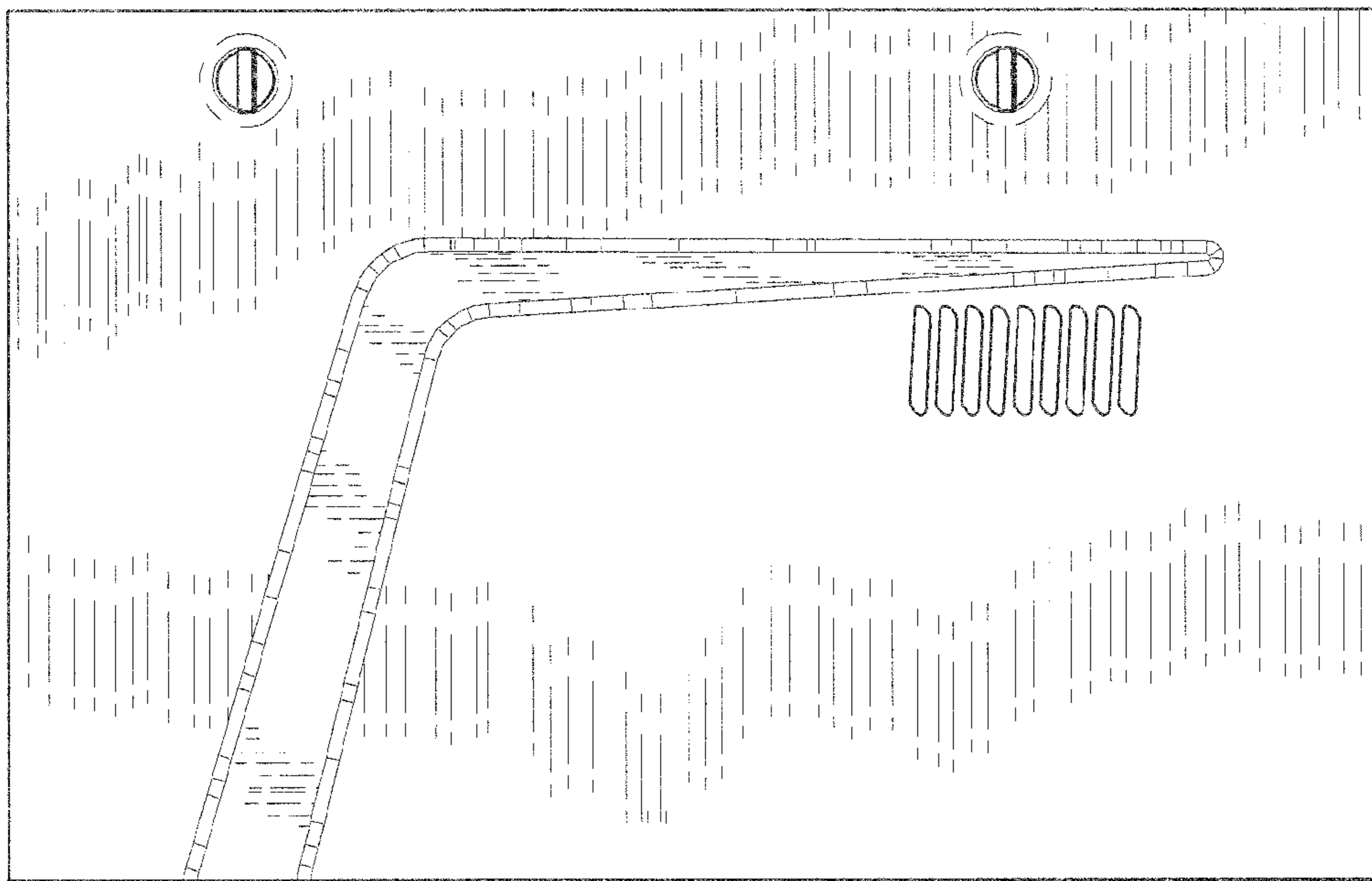
No. EPHB 171-27a, U.S. Dept. of Health and Human Services, Cincinnati, OH. Aug. 2001.  
 Kohler Co. Genset Kohler Power Systems. Kohler, WI., 2005 and 2006.  
 Northern Lights. IN/SEP for Northern Lights Generators. Seattle, WA. Dec. 2007.  
 Victron Energy. Marine Generator Test. At least as early as Apr. 28, 2008.  
[http://www.boattest.com/Resources/view\\_news.aspx?NewsID=840](http://www.boattest.com/Resources/view_news.aspx?NewsID=840). Kohler Only makes Low-CO Gas Gen Sets. At least as early as Apr. 30, 2008.  
 Kohler Genset Images. At least as early as Apr. 27, 2010.  
 DC Traveller 12-24 Volt. At least as early as Jun. 17, 2010.  
 Kohler 7.3 ECD Generator, at least as early as May 5, 2010.  
 Westerbeke Engines & Generators; Gasoline Generators; Houseboat Series, at least as May 5, 2010.  
 Kohler Power Systems; Gasoline; Model: 13EGD-Low CO 60 hz; 11 EFGD-Low Co 50 hz; Dec. 2006 and 2008.  
 Kohler Power Systems; Powerful Generator Control Solutions; 1983.  
 Earnest, G. Scott; Beamer, Bryan; Dunn, Kevin—An Eval. of Side Exhaust and Prototype and Production Emission . . . , Report No. EPHB 171-29a, Dept. of Health Human Srvs. May 2002.

\* cited by examiner

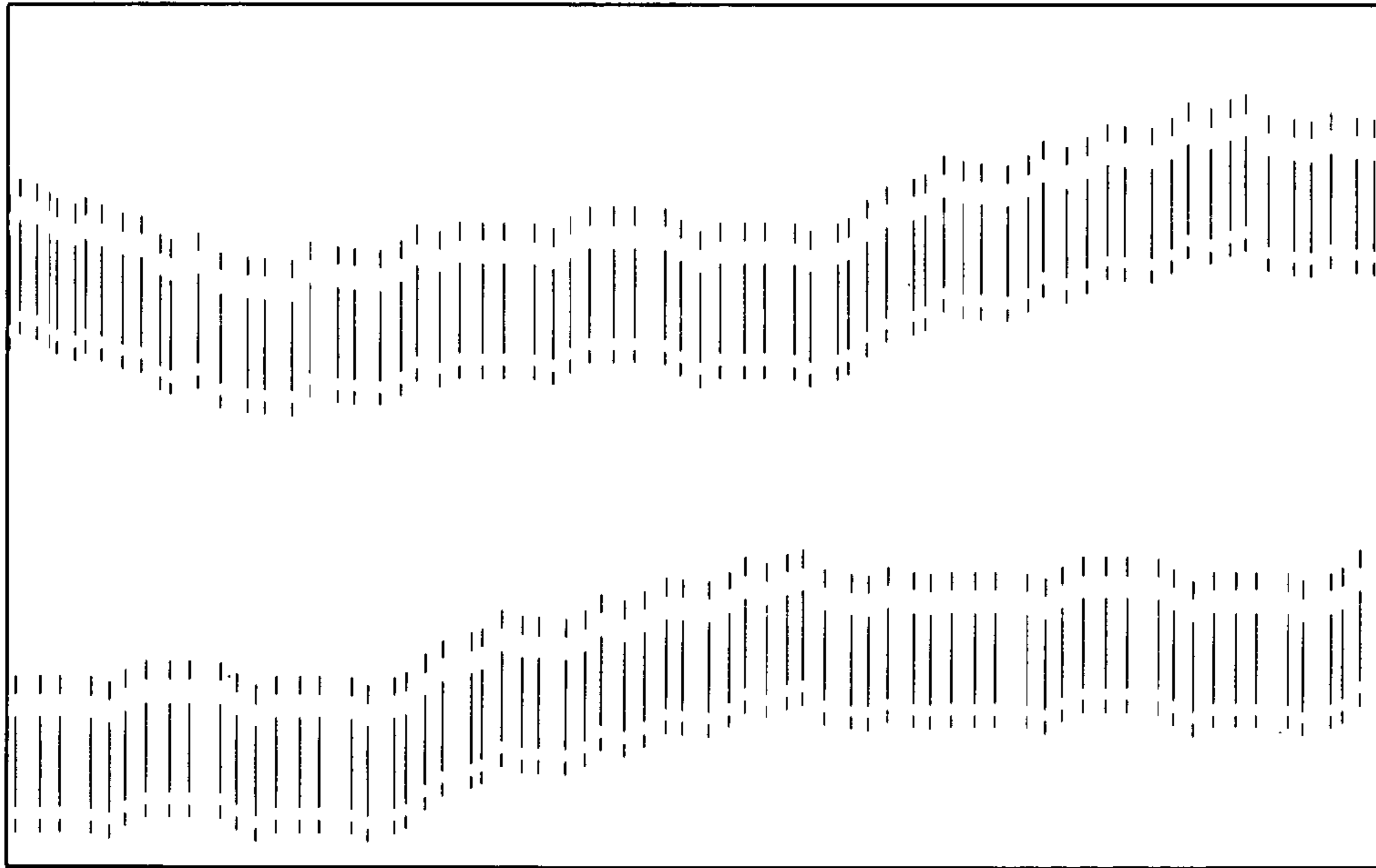


*Fig. 1*

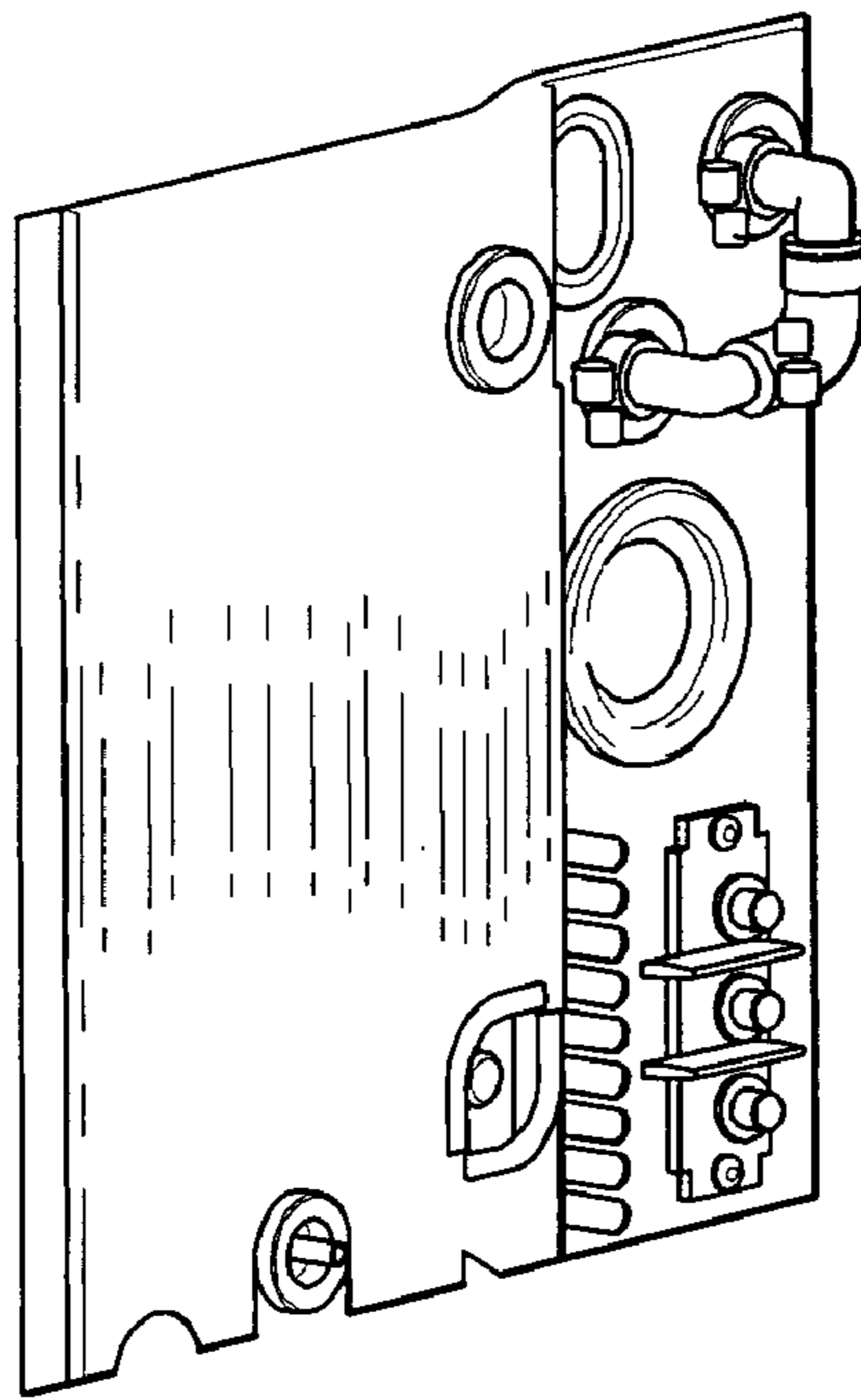




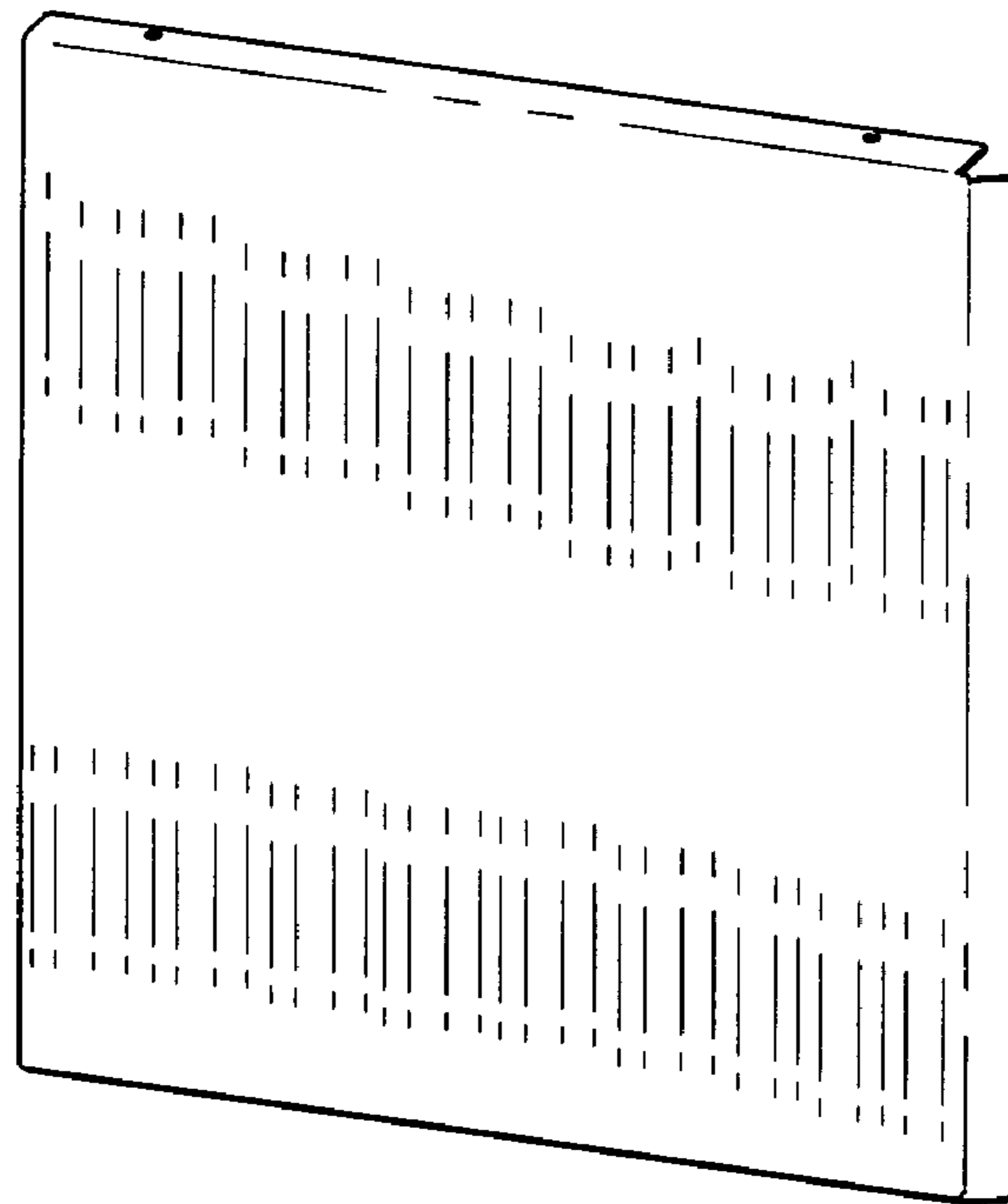
**Fig. 2**



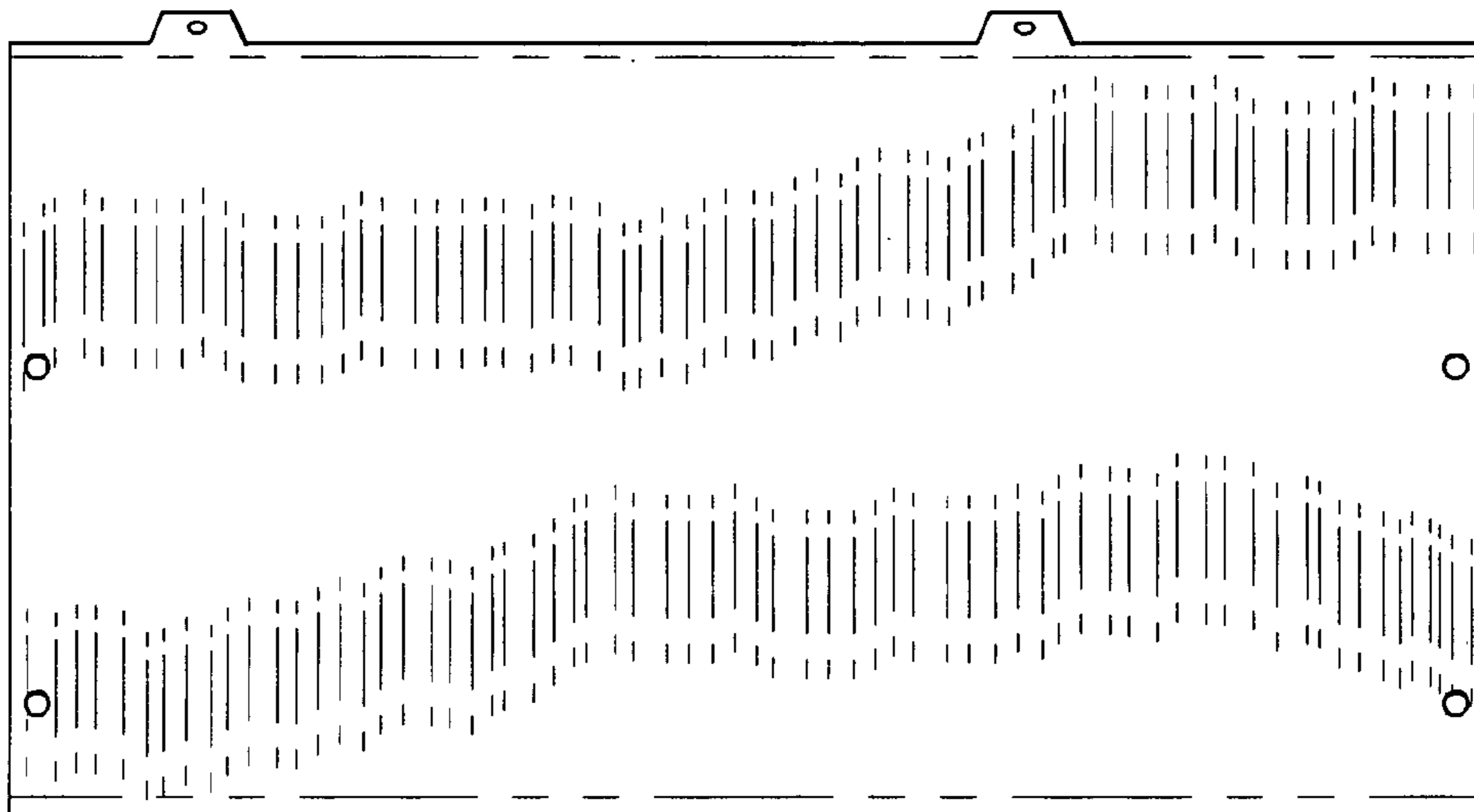
***Fig. 3***



**Fig. 4**



***Fig. 5***



**Fig. 6**