

US00D646632S

(12) **United States Design Patent**
Hogen

(10) **Patent No.:** **US D646,632 S**

(45) **Date of Patent:** **** *Oct. 11, 2011**

(54) **POWER ADAPTOR HOUSING**

(75) **Inventor:** **Gregory Michael Hogen**, Dublin, CA (US)

(73) **Assignee:** **2Wire, Inc.**, San Jose, CA (US)

(*) **Notice:** This patent is subject to a terminal disclaimer.

(**) **Term:** **14 Years**

(21) **Appl. No.:** **29/366,900**

(22) **Filed:** **Jul. 30, 2010**

(51) **LOC (9) Cl.** **13-02**

(52) **U.S. Cl.** **D13/110**

(58) **Field of Classification Search** D13/110,
D13/108, 123, 133, 137.1, 199; 174/53,
174/54, 57, 59, 61; 307/150, 151; 320/111,
320/114; 363/132, 146; 439/105, 131, 166,
439/170-173, 218, 518, 692, 956

See application file for complete search history.

(56) **References Cited**

U.S. PATENT DOCUMENTS

D338,188	S	*	8/1993	Lee et al.	D13/110
5,613,863	A	*	3/1997	Klaus et al.	439/131
5,973,948	A	*	10/1999	Hahn et al.	363/146
D416,226	S	*	11/1999	Lohrding et al.	D13/110
6,086,395	A	*	7/2000	Lloyd et al.	439/172
D449,030	S	*	10/2001	Baxter et al.	D13/110

D456,008	S	*	4/2002	Kawanobe et al.	D13/110
6,669,495	B2	*	12/2003	Philips et al.	439/170
6,845,023	B2	*	1/2005	Philips et al.	363/132
D519,922	S	*	5/2006	Andre et al.	D13/110
D554,058	S	*	10/2007	Yang et al.	D13/110
D562,766	S	*	2/2008	Yang	D13/110

* cited by examiner

Primary Examiner — Prabhakar Deshmukh

Assistant Examiner — Derrick Holland

(74) *Attorney, Agent, or Firm* — Blakely, Sokoloff, Taylor & Zafman LLP

(57) **CLAIM**

The ornamental design for a power adaptor housing, as shown and described.

DESCRIPTION

FIG. 1 is a front perspective view of a power adaptor housing showing my new design;

FIG. 2 is a front elevation view thereof;

FIG. 3 is a right side elevation view thereof;

FIG. 4 is a rear elevation view thereof;

FIG. 5 is a top plan view thereof;

FIG. 6 is a bottom plan view thereof;

FIG. 7 is a back perspective view thereof;

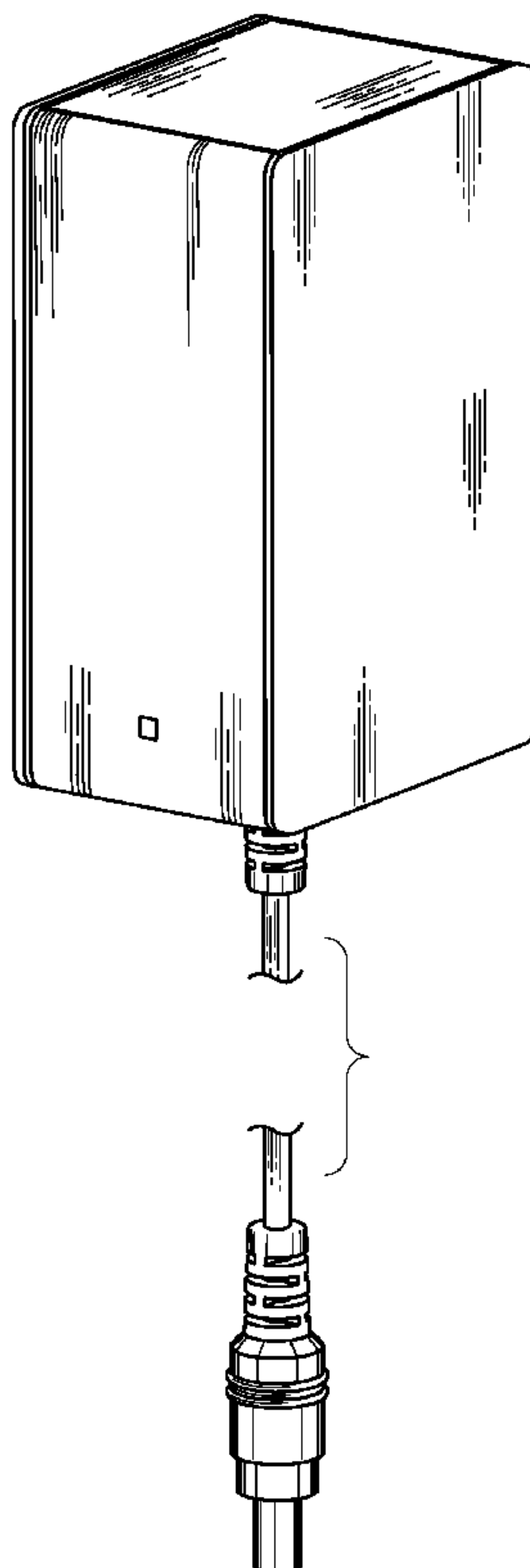
FIG. 8 is another back perspective view thereof, shown in environmental use;

FIG. 9 is another back perspective view thereof, shown in an alternate environmental use; and,

FIG. 10 is a left side elevation view thereof.

The broken line portion of the figure drawings is for illustrative purposes only and forms no part of the claimed design.

1 Claim, 9 Drawing Sheets



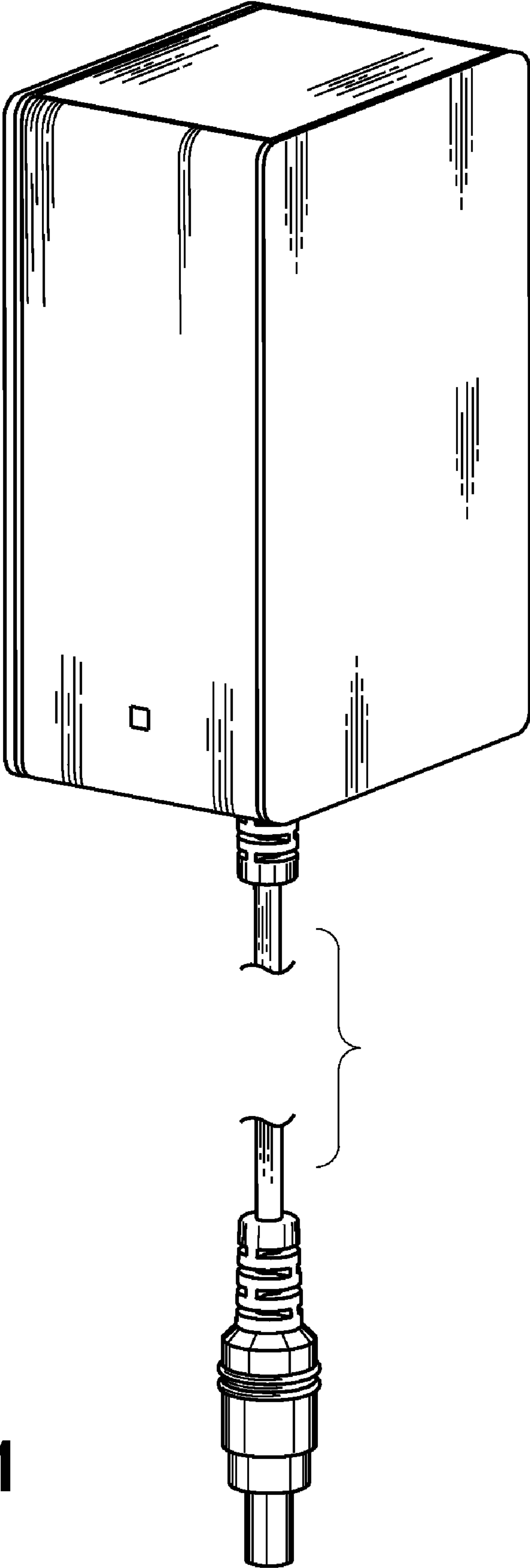


FIG. 1

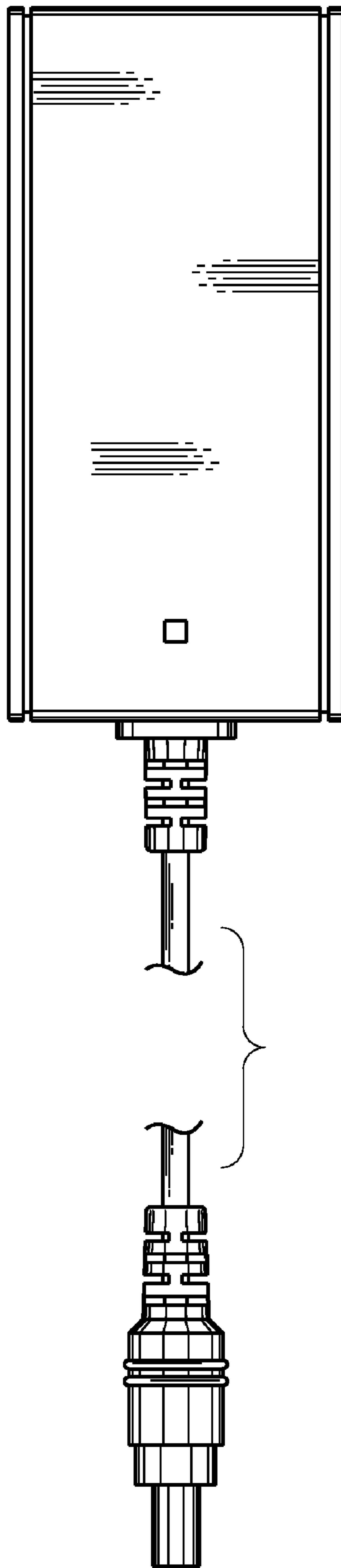


FIG. 2

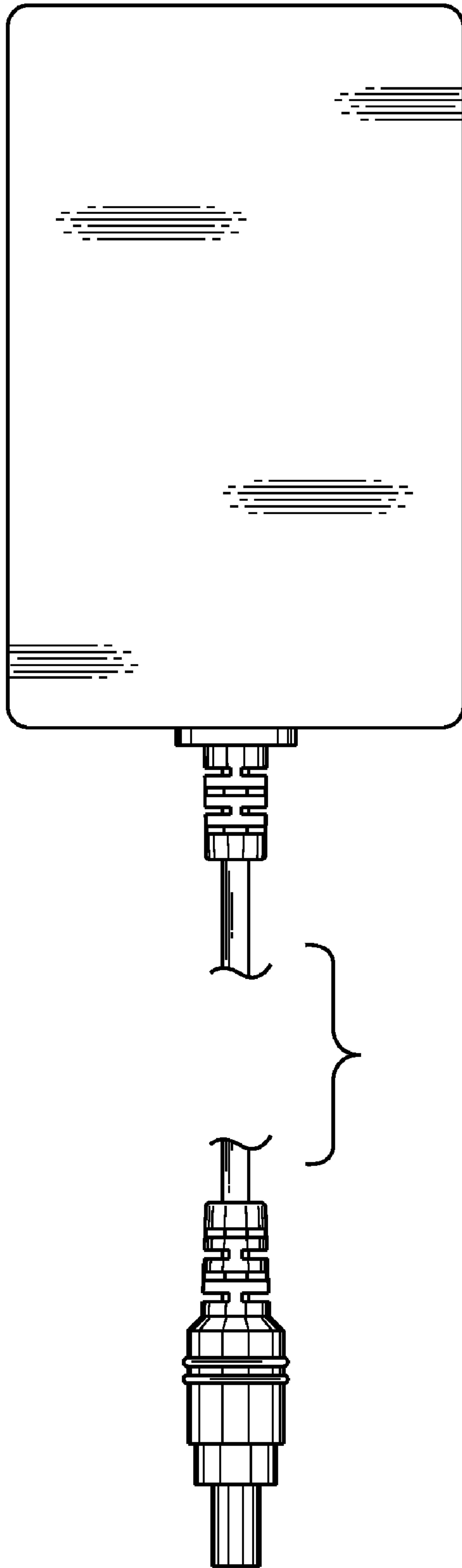


FIG. 3

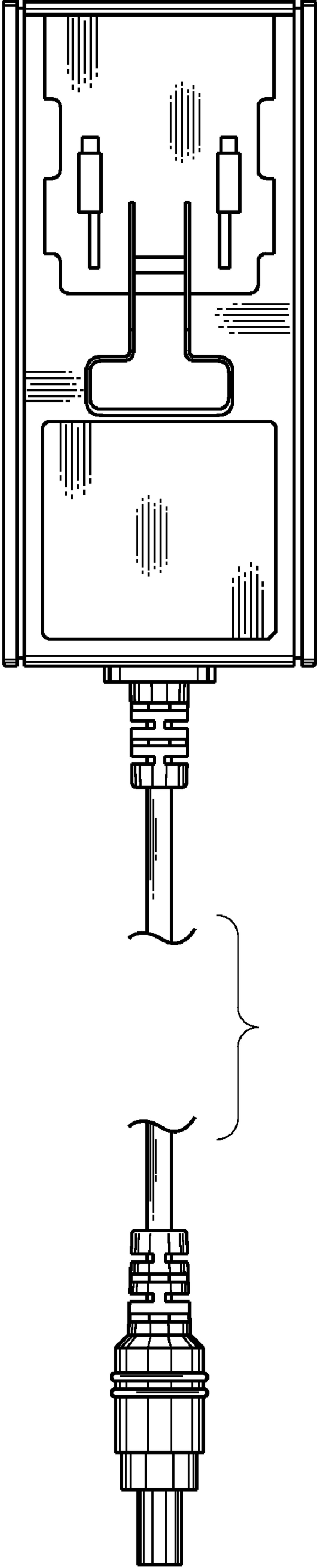


FIG. 4

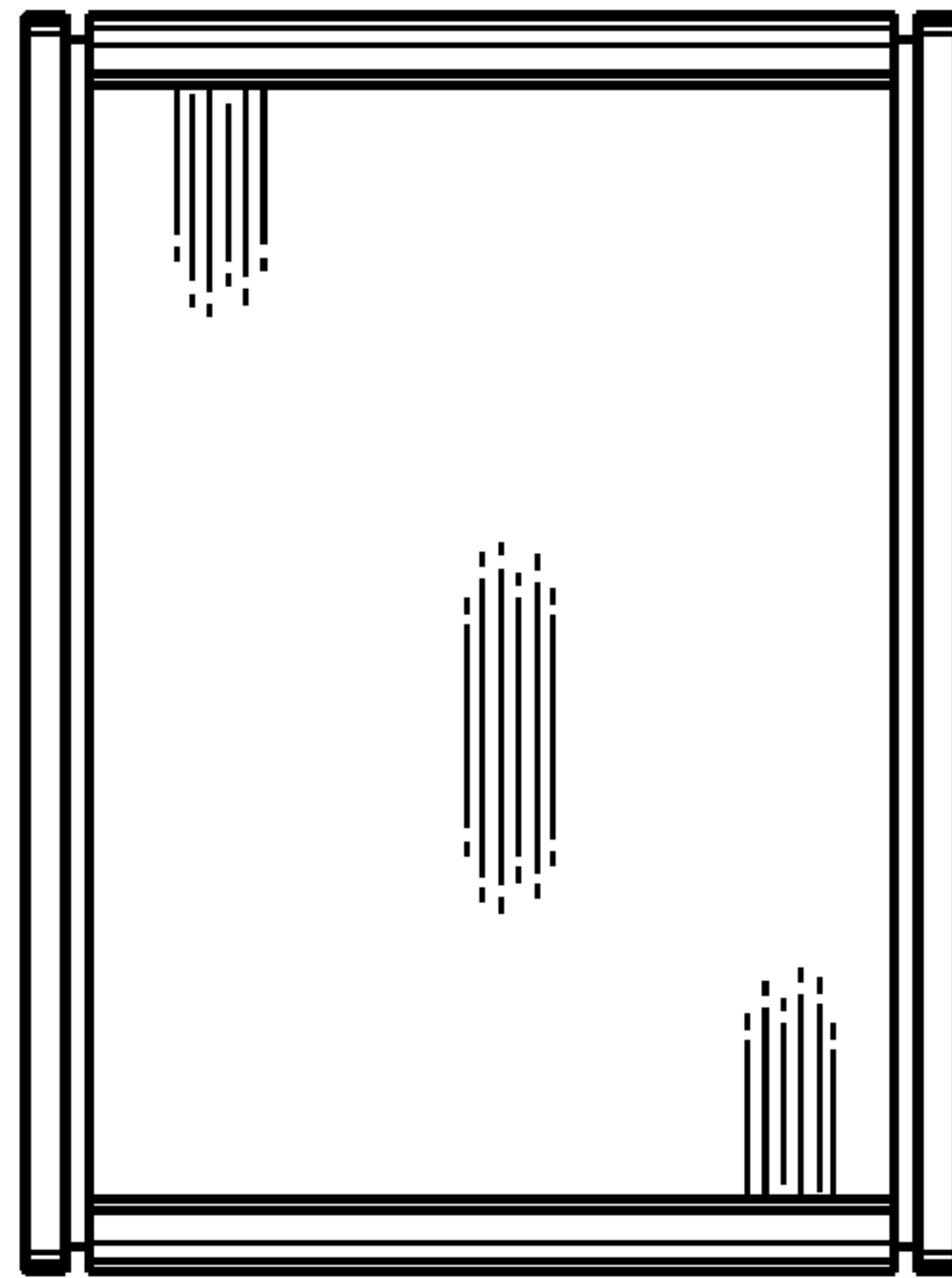


FIG. 5

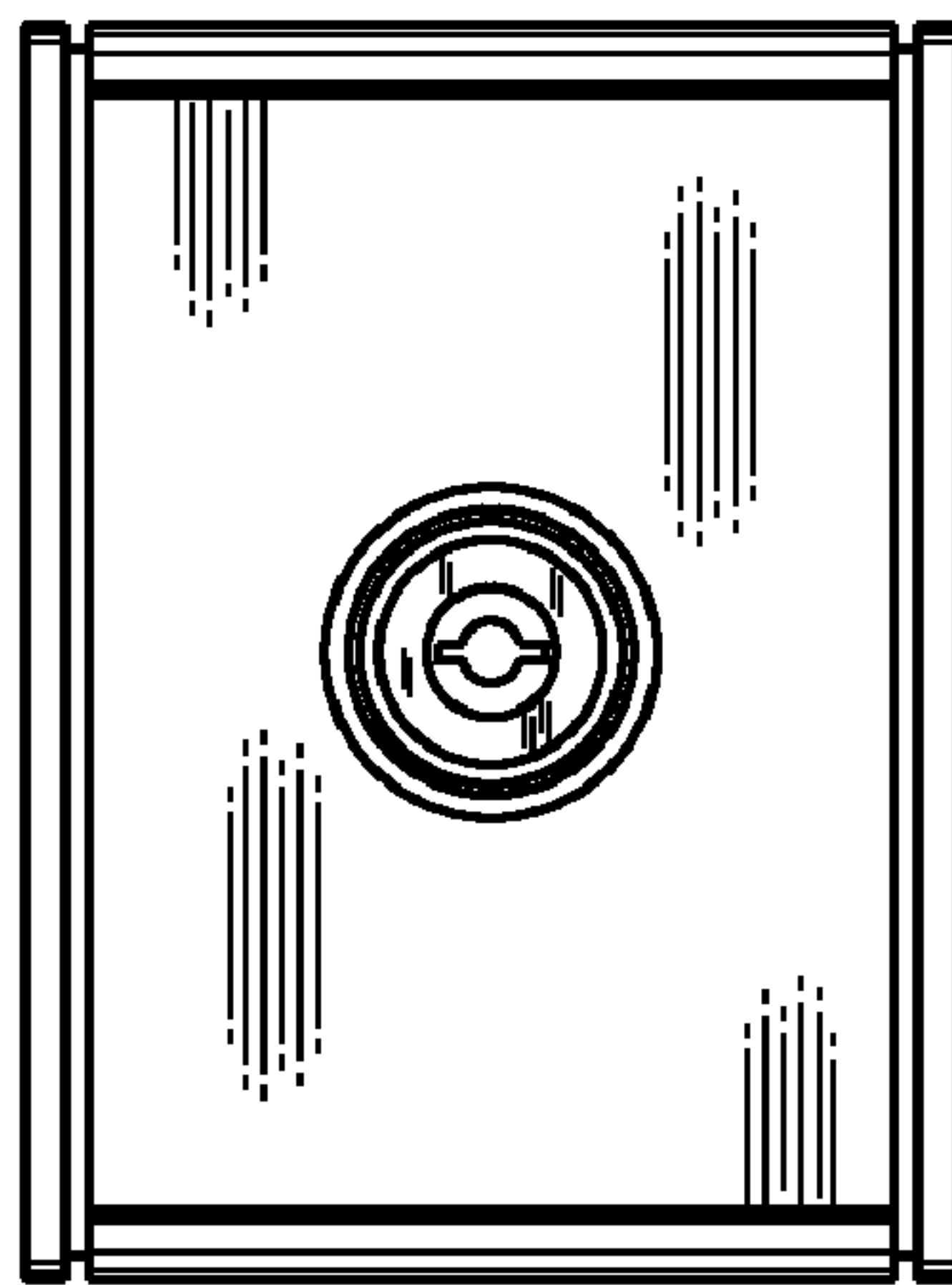


FIG. 6

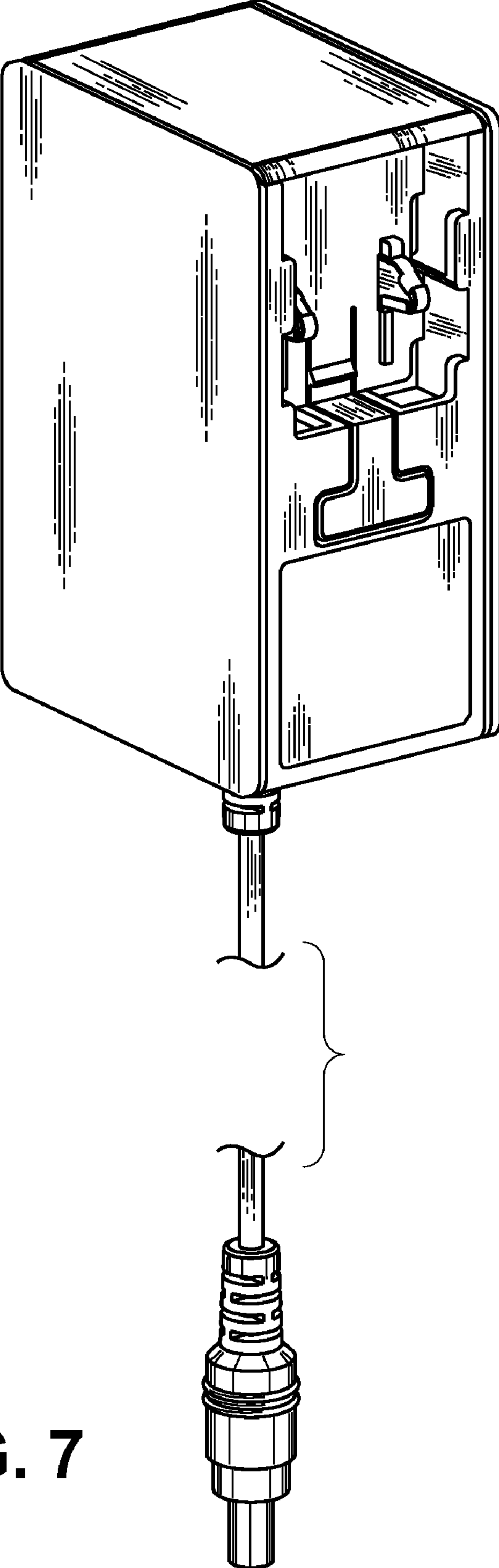


FIG. 7

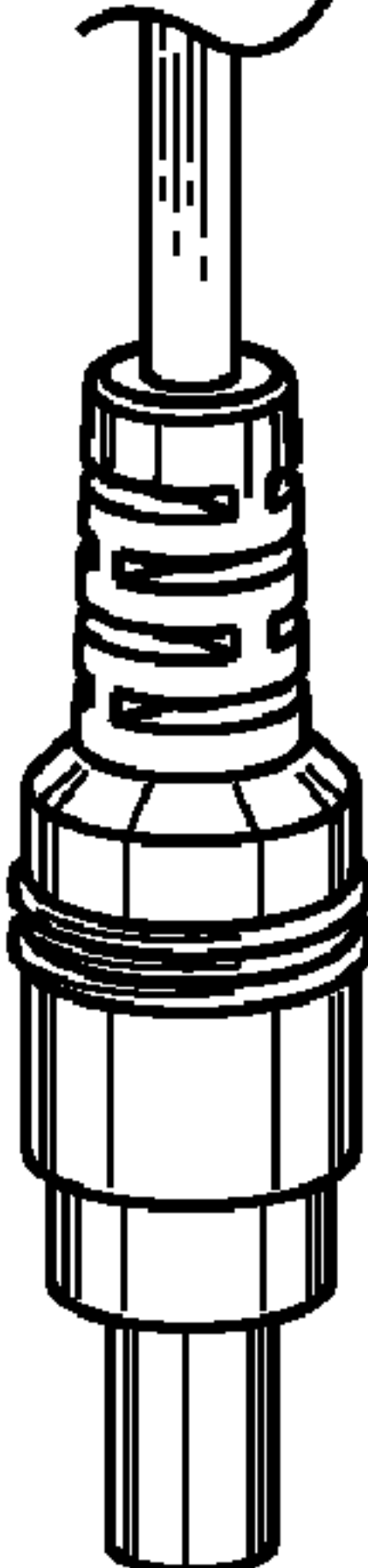
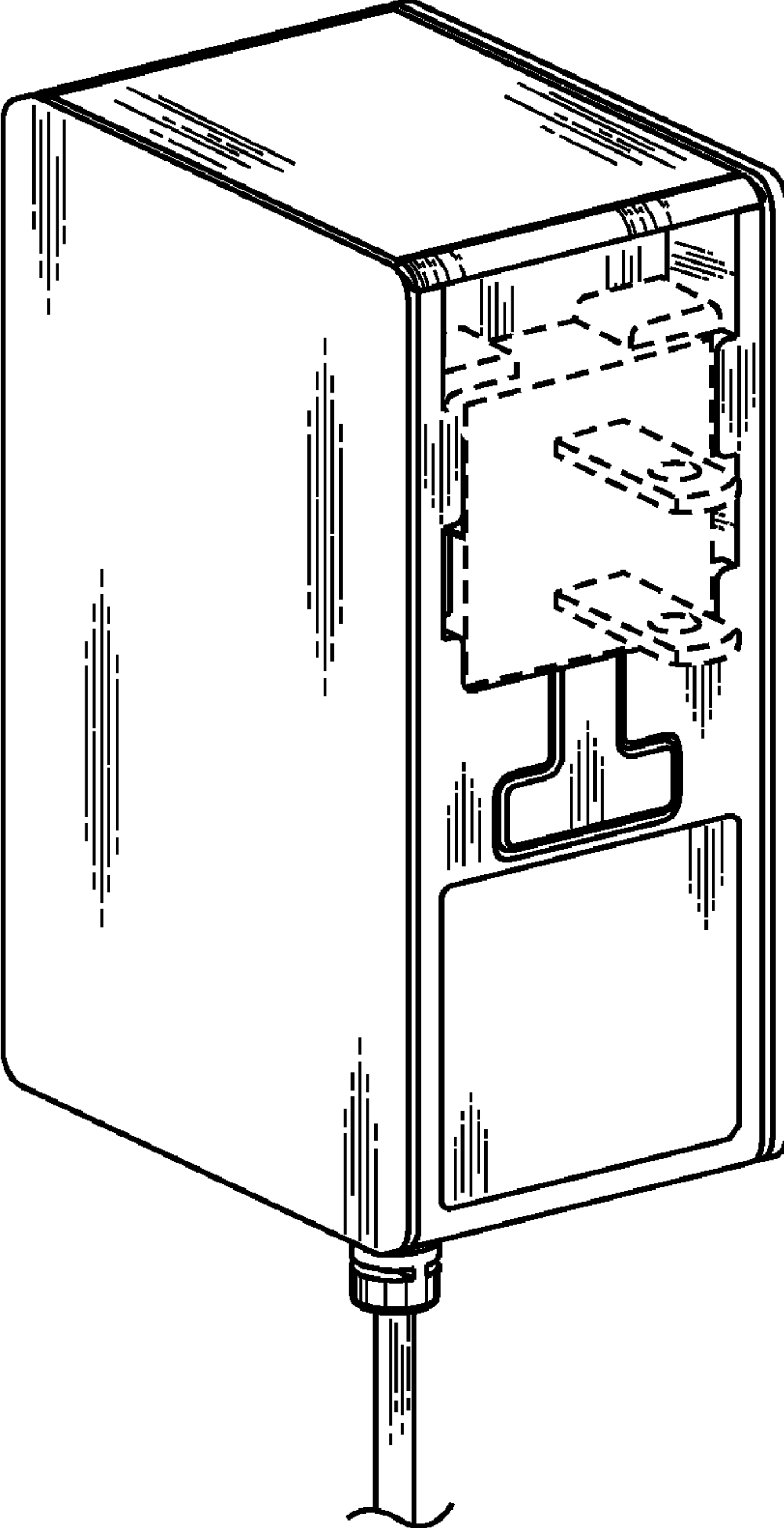


FIG. 8

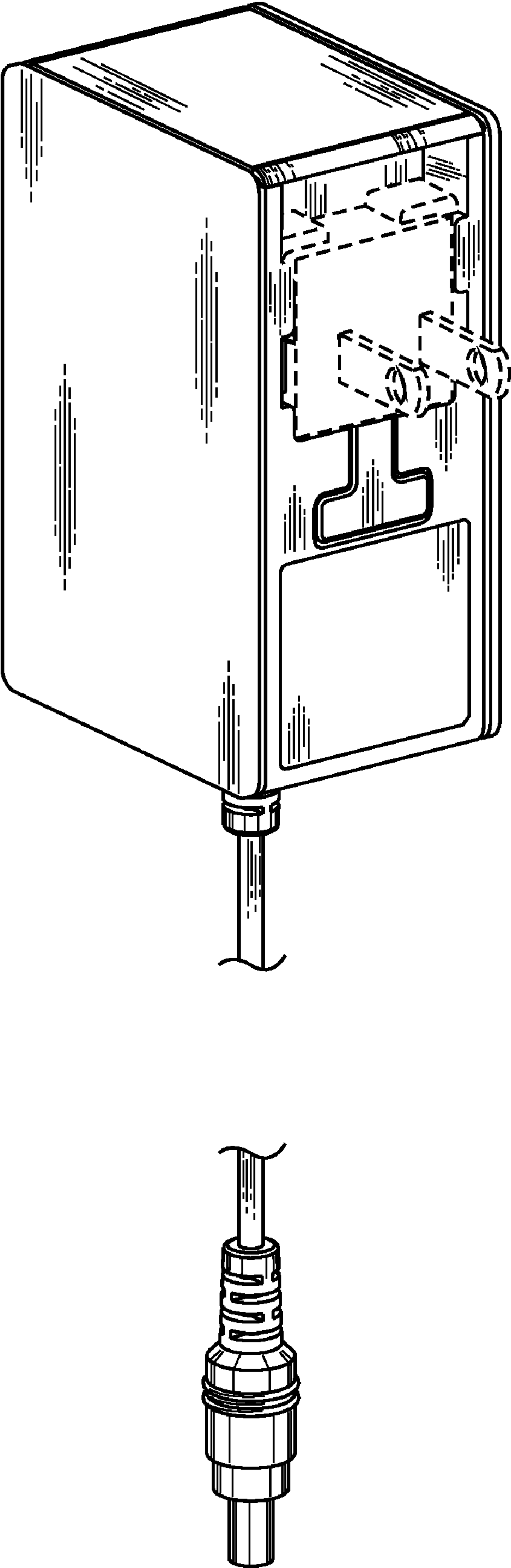


FIG. 9

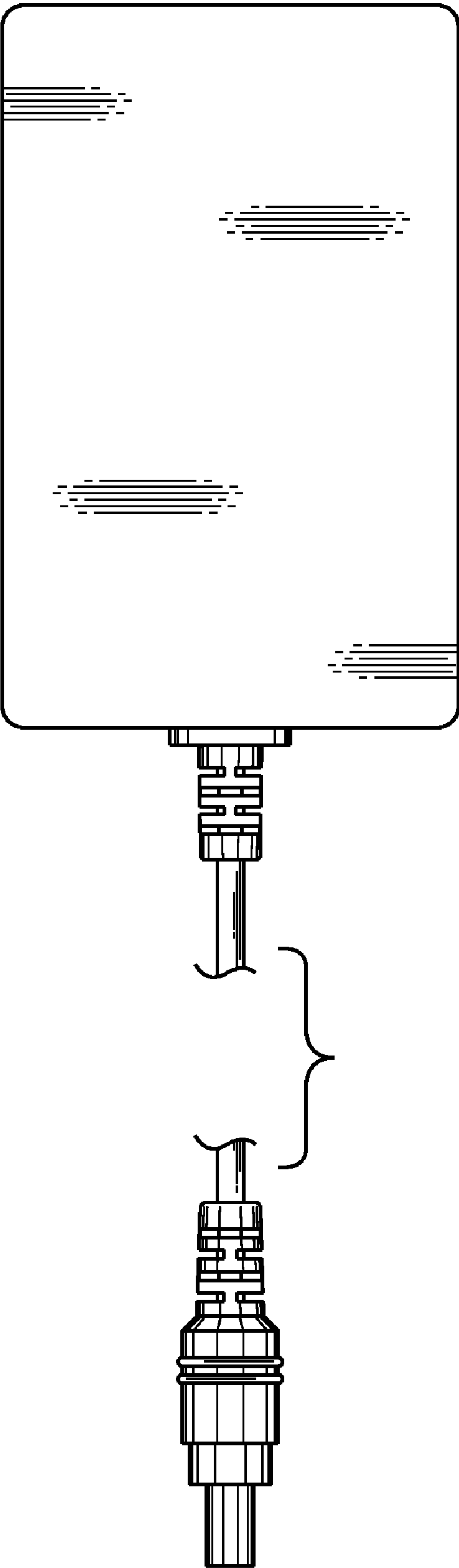


FIG. 10