

US00D646631S

(12) **United States Design Patent**
Gotou et al.

(10) **Patent No.:** **US D646,631 S**
(45) **Date of Patent:** **** Oct. 11, 2011**

(54) **OPERATION HOUSING FOR AUTOMOBILE BATTERY CHARGER**

(75) Inventors: **Kanna Gotou**, Wako (JP); **Kiyoshi Yajima**, Wako (JP)

(73) Assignee: **Honda Motor Co., Ltd.**, Tokyo (JP)

(**) Term: **14 Years**

(21) Appl. No.: **29/387,450**

(22) Filed: **Mar. 14, 2011**

(30) **Foreign Application Priority Data**

Oct. 21, 2010 (JP) 2010-025173

(51) **LOC (9) Cl.** **13-02**

(52) **U.S. Cl.** **D13/107**

(58) **Field of Classification Search** D13/107-110,
D13/118-119, 184, 199; 320/103-105, 107-115
See application file for complete search history.

(56) **References Cited**

U.S. PATENT DOCUMENTS

D358,951 S *	6/1995	Raynor	D6/421
5,461,299 A *	10/1995	Bruni	320/108
6,320,352 B2 *	11/2001	Terazoe	320/108
6,362,594 B2 *	3/2002	Kajiura	320/104
6,459,234 B2 *	10/2002	Kajiura	320/109
D597,937 S *	8/2009	Haw et al.	D13/107
D608,731 S *	1/2010	Amit	D13/107

D608,733 S *	1/2010	Smith	D13/107
D608,734 S *	1/2010	Smith	D13/107
D613,683 S *	4/2010	Baxter et al.	D13/107
D618,168 S *	6/2010	Baxter et al.	D13/107
D626,064 S *	10/2010	Cutter et al.	D13/107
D626,065 S *	10/2010	Cutter et al.	D13/107
D628,960 S *	12/2010	Shimizu et al.	D13/107
D629,747 S *	12/2010	Rajakaruna	D13/107
D632,645 S *	2/2011	Blain	D13/107
D634,267 S *	3/2011	Blain	D13/107

* cited by examiner

Primary Examiner — Rosemary K Tarcza

(74) *Attorney, Agent, or Firm* — Birch, Stewart, Kolasch & Birch, LLP

(57) **CLAIM**

The ornamental design for an operation housing for automobile battery charger, as shown and described.

DESCRIPTION

FIG. 1 is a perspective view from the front side of an operation housing for automobile battery charger.
FIG. 2 is a front elevation view thereof.
FIG. 3 is a rear elevation view thereof.
FIG. 4 is a top plan view thereof.
FIG. 5 is a left side elevation view thereof; and,
FIG. 6 is a referential view showing use thereof.
The portion of the article shown in broken lines is for the purpose of showing environmental structure only and forms no part of the claimed design.

1 Claim, 6 Drawing Sheets

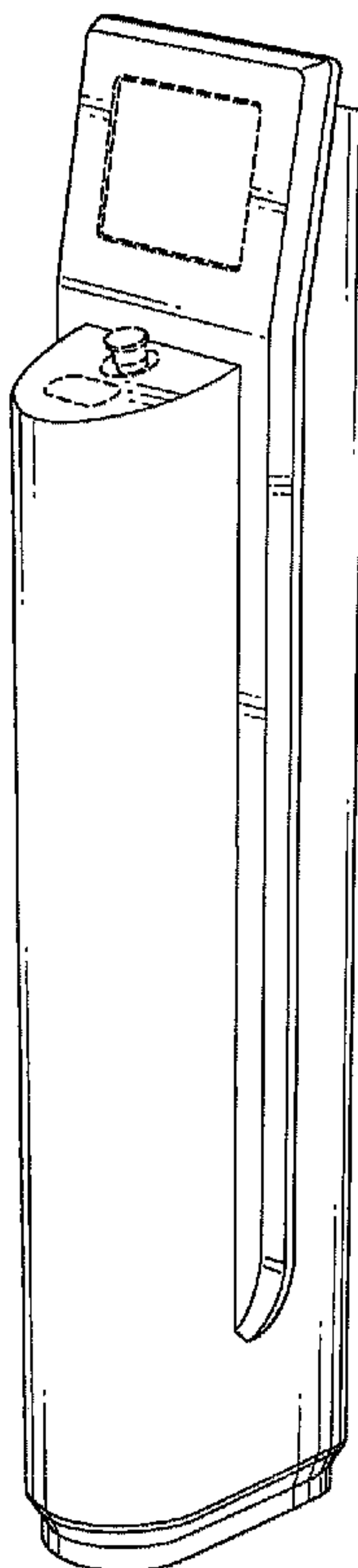


FIG. 1

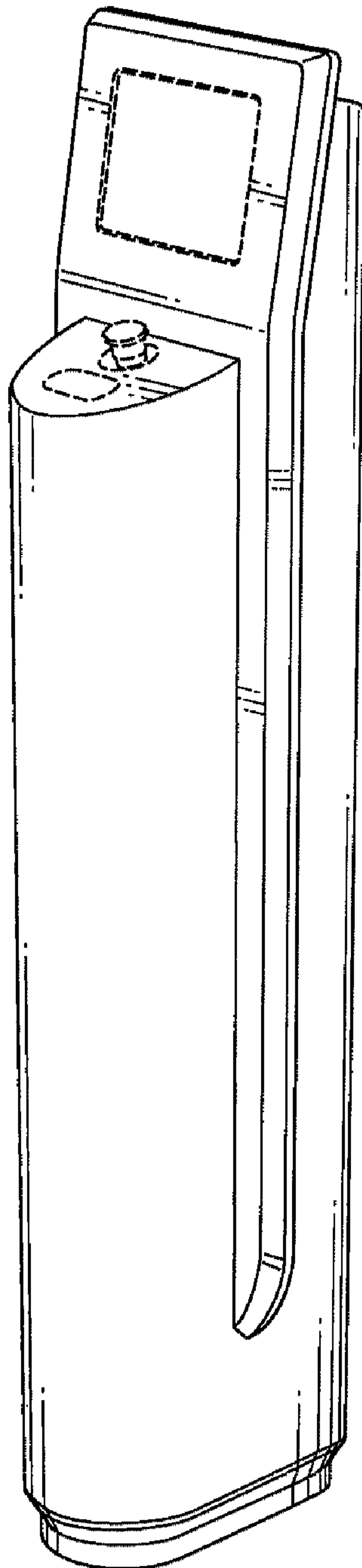


FIG. 2

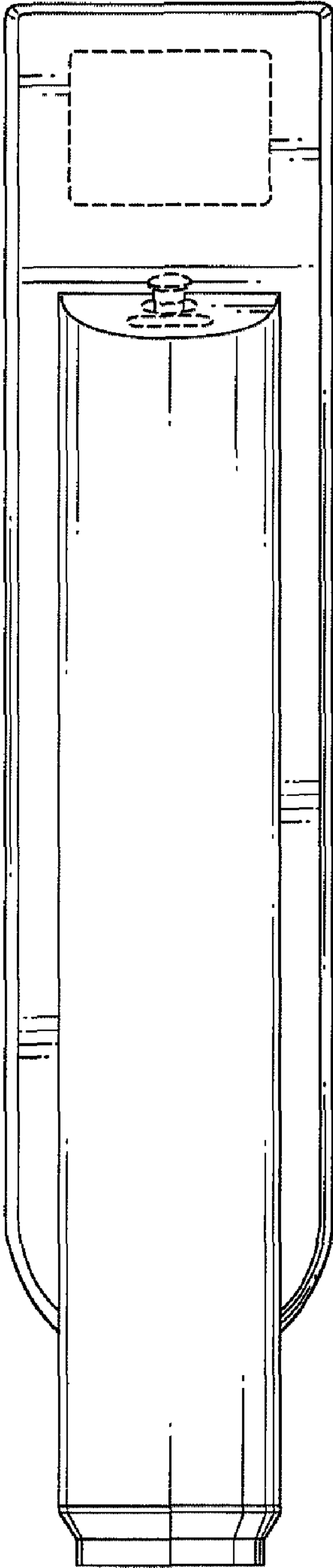


FIG. 3

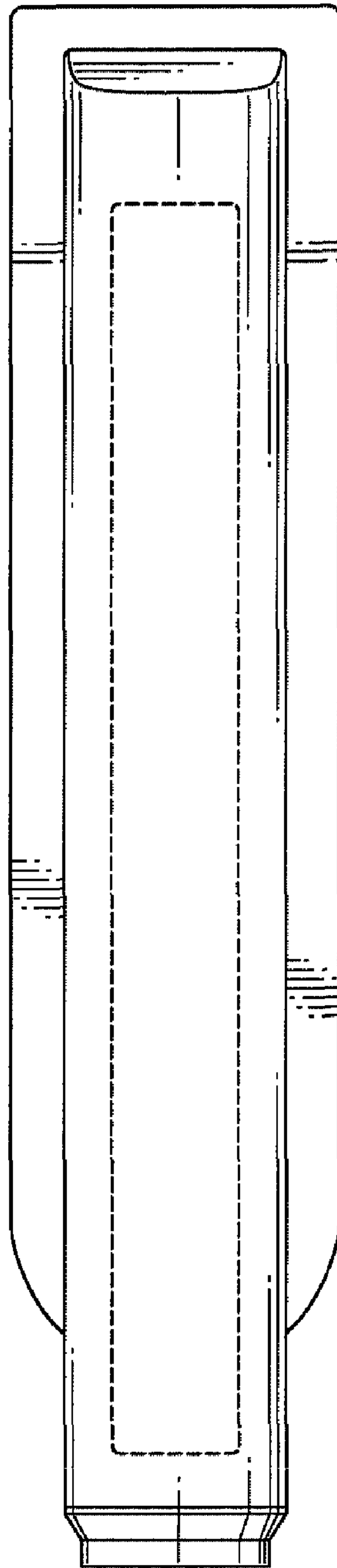


FIG. 4

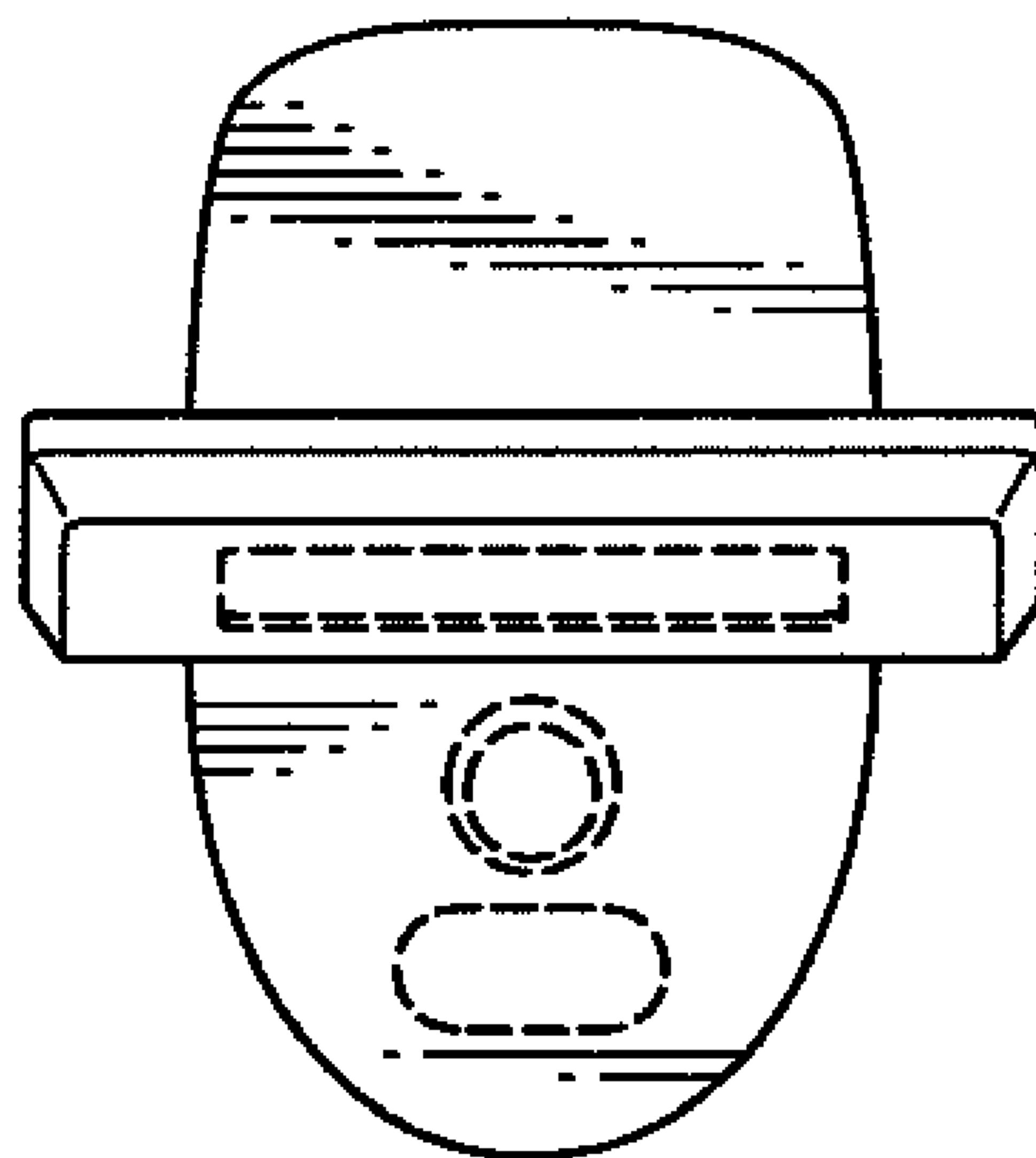


FIG. 5

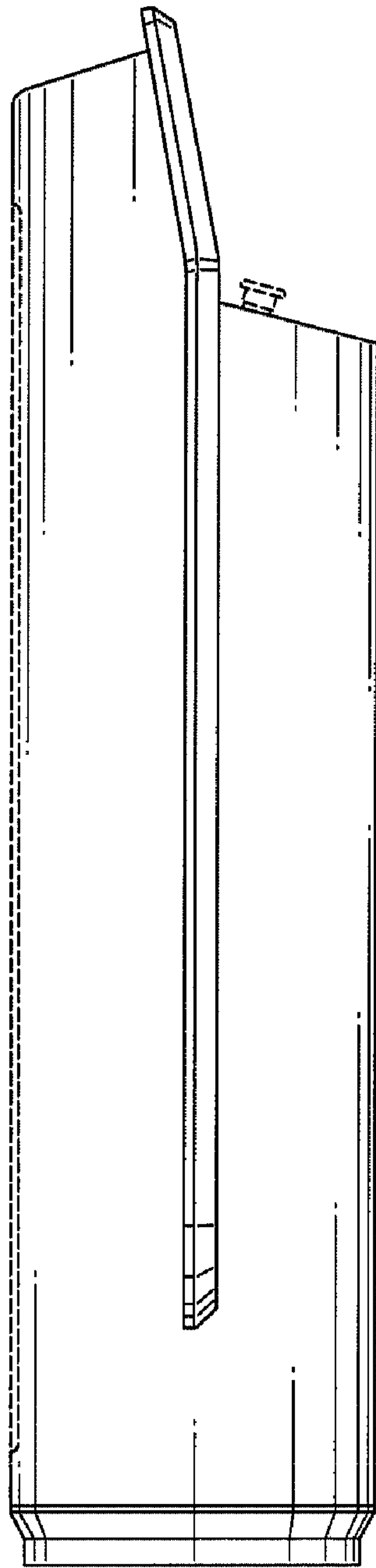


FIG. 6

