



US00D646630S

(12) **United States Design Patent**  
**Scharis et al.**

(10) **Patent No.:** **US D646,630 S**

(45) **Date of Patent:** **\*\* Oct. 11, 2011**

(54) **TIRE**

(75) Inventors: **Alexandre Andre Scharis**, Trois-Ponts (BE); **Peter Johann Cornelius Maus**, Büllingen (BE)

(73) Assignee: **The Goodyear Tire & Rubber Company**, Akron, OH (US)

(\*\*) Term: **14 Years**

(21) Appl. No.: **29/364,890**

(22) Filed: **Jun. 30, 2010**

(51) **LOC (9) Cl.** ..... **12-16**

(52) **U.S. Cl.** ..... **D12/600**

(58) **Field of Classification Search** ..... D12/586-591,  
D12/572, 599-603; 152/209.1, 209.12, 209.18,  
152/209.25

See application file for complete search history.

(56) **References Cited**

**U.S. PATENT DOCUMENTS**

D370,439 S	6/1996	Feider et al.	.....	D12/141
D423,422 S	4/2000	Selover et al.	.....	D12/146
D451,440 S	12/2001	Weber	.....	D12/146
D451,441 S	12/2001	Weber	.....	D12/146
D453,729 S	2/2002	Demagall et al.	.....	D12/523
D500,010 S	* 12/2004	Maziarka et al.	.....	D12/590
D534,484 S	1/2007	Feider et al.	.....	D12/584
D545,756 S	7/2007	Feider et al.	.....	D12/521
D554,053 S	10/2007	Feider et al.	.....	D12/588
D555,081 S	11/2007	Feider et al.	.....	D12/588
D581,347 S	11/2008	Feider et al.	.....	D12/523

D583,302 S	12/2008	Shavers et al.	.....	D12/518
D609,170 S	* 2/2010	Feider et al.	.....	D12/588
D611,893 S	* 3/2010	Iwabuchi et al.	.....	D12/601

\* cited by examiner

*Primary Examiner* — Caron D Veynar

*Assistant Examiner* — George D Kirschbaum

(74) *Attorney, Agent, or Firm* — Richard B. O'Planick

(57) **CLAIM**

The ornamental design for a tire, as shown and described.

**DESCRIPTION**

FIG. 1 is a perspective view of a tire showing our new design, it being understood that the pattern repeats uniformly throughout the circumference of the tread;

FIG. 2 is a front elevational view thereof;

FIG. 3 is a right side elevational view thereof; the opposite side elevational view being identical thereto;

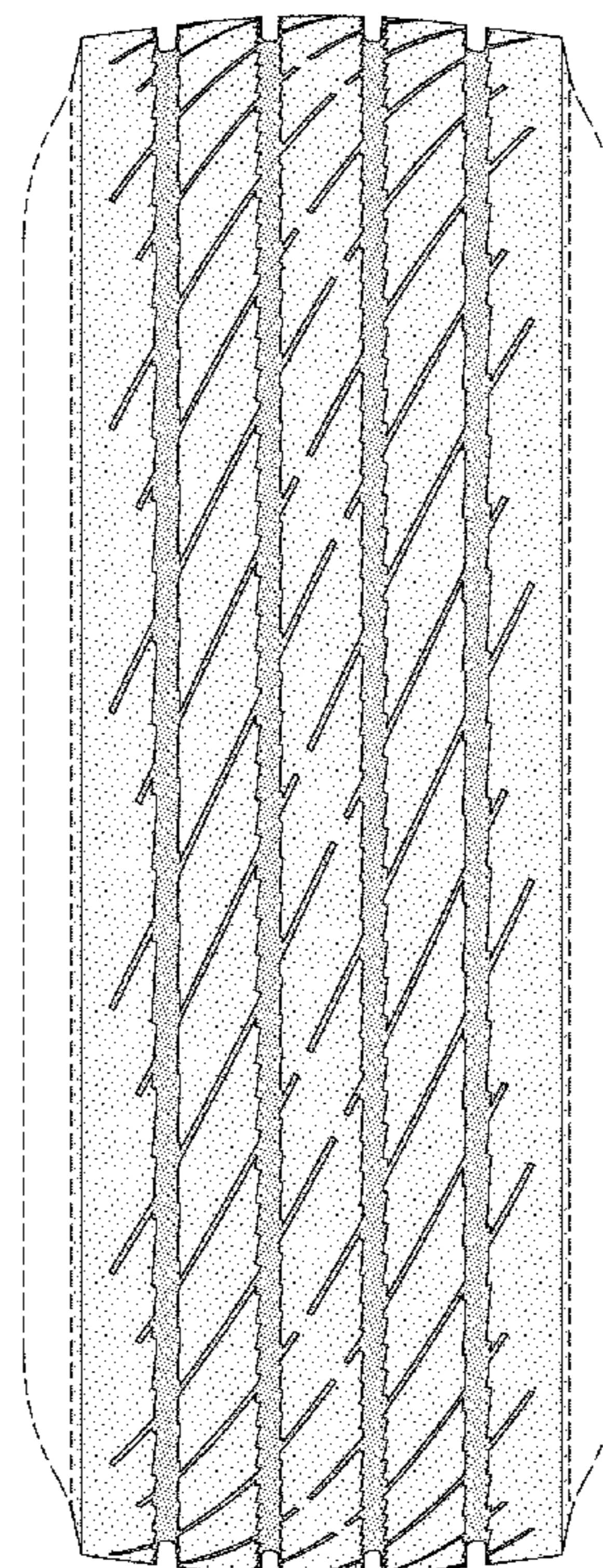
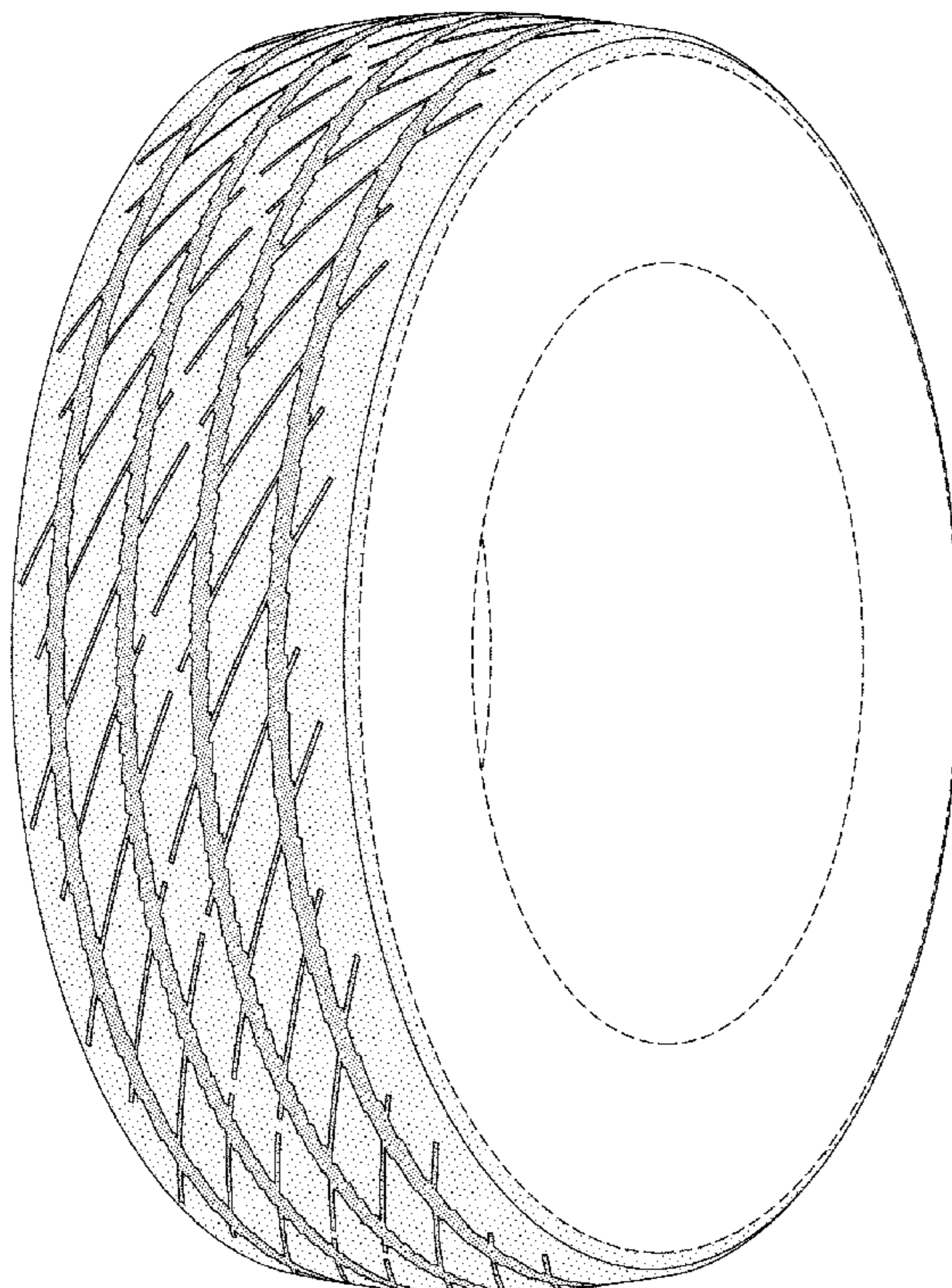
FIG. 4 is an enlarged fragmentary front elevational view thereof;

FIG. 5 is a perspective view of a second embodiment of a tire showing our new design, it being understood that the pattern repeats uniformly throughout the circumference of the tread and that the opposite side view is identical thereto; and,

FIG. 6 is a front elevational view of a second embodiment, it being understood that an enlarged fragmentary view thereof would be substantially identical to that shown in FIG. 4, with the exception of the inclusion of the sidewall in solid lines.

In the drawings, the broken lines showing of the sidewall, inner bead and the peripheral boundary between the tire tread and the sidewall in FIGS. 1 through 4 depict environmental subject matter and form no part of the claimed design.

**1 Claim, 6 Drawing Sheets**





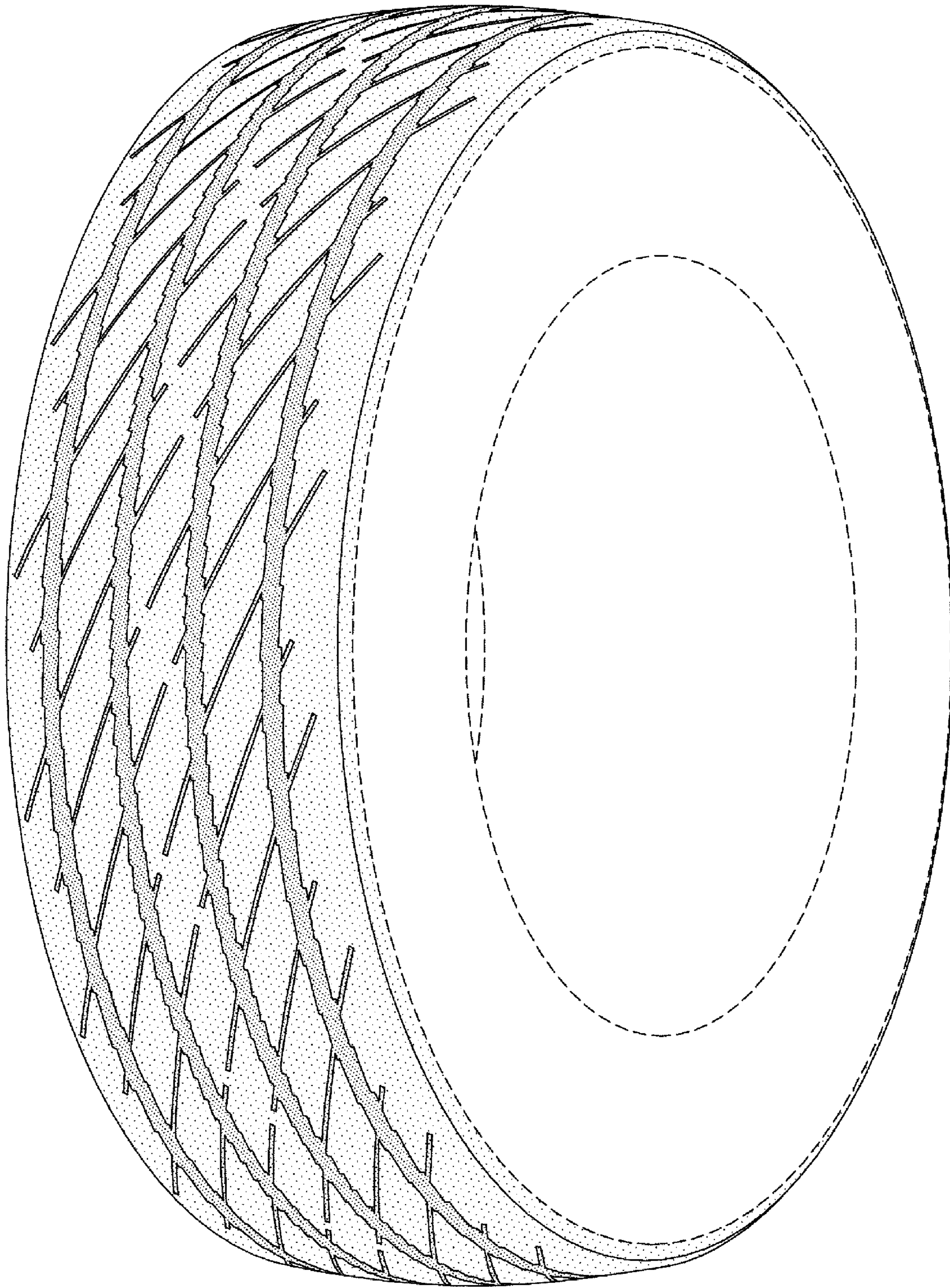


FIG-1

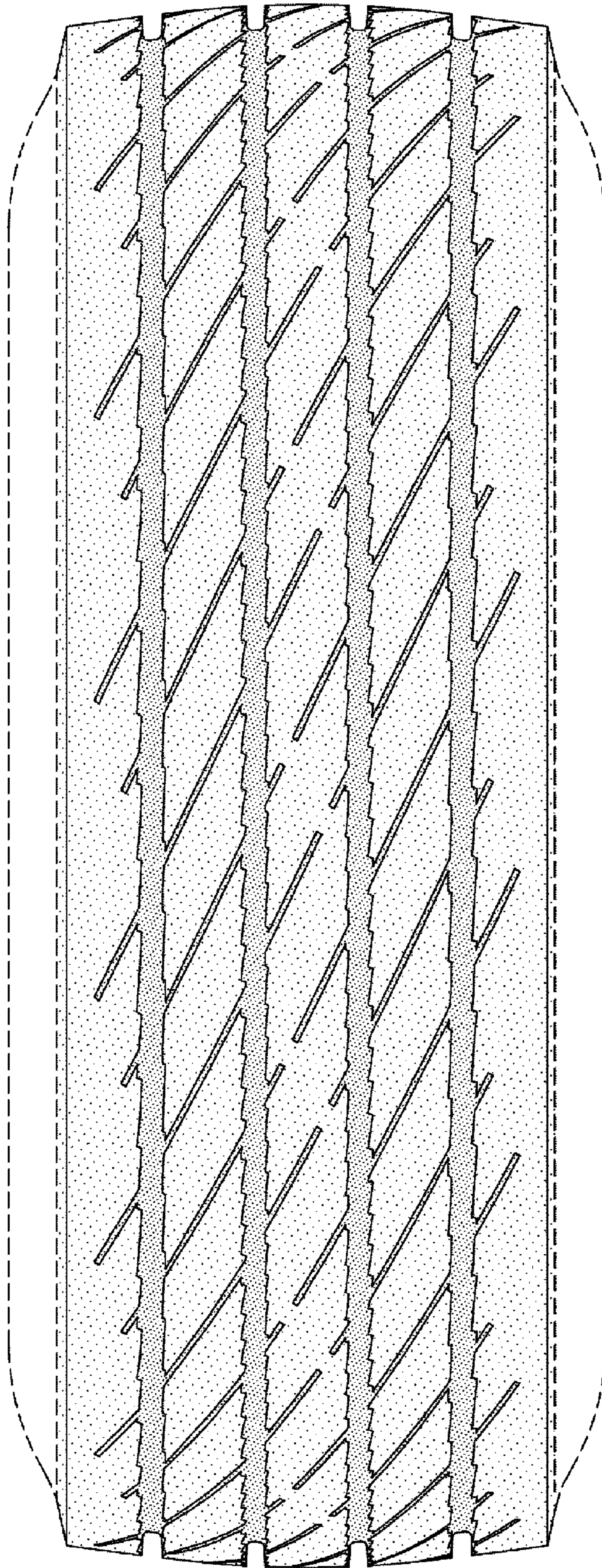


FIG-2



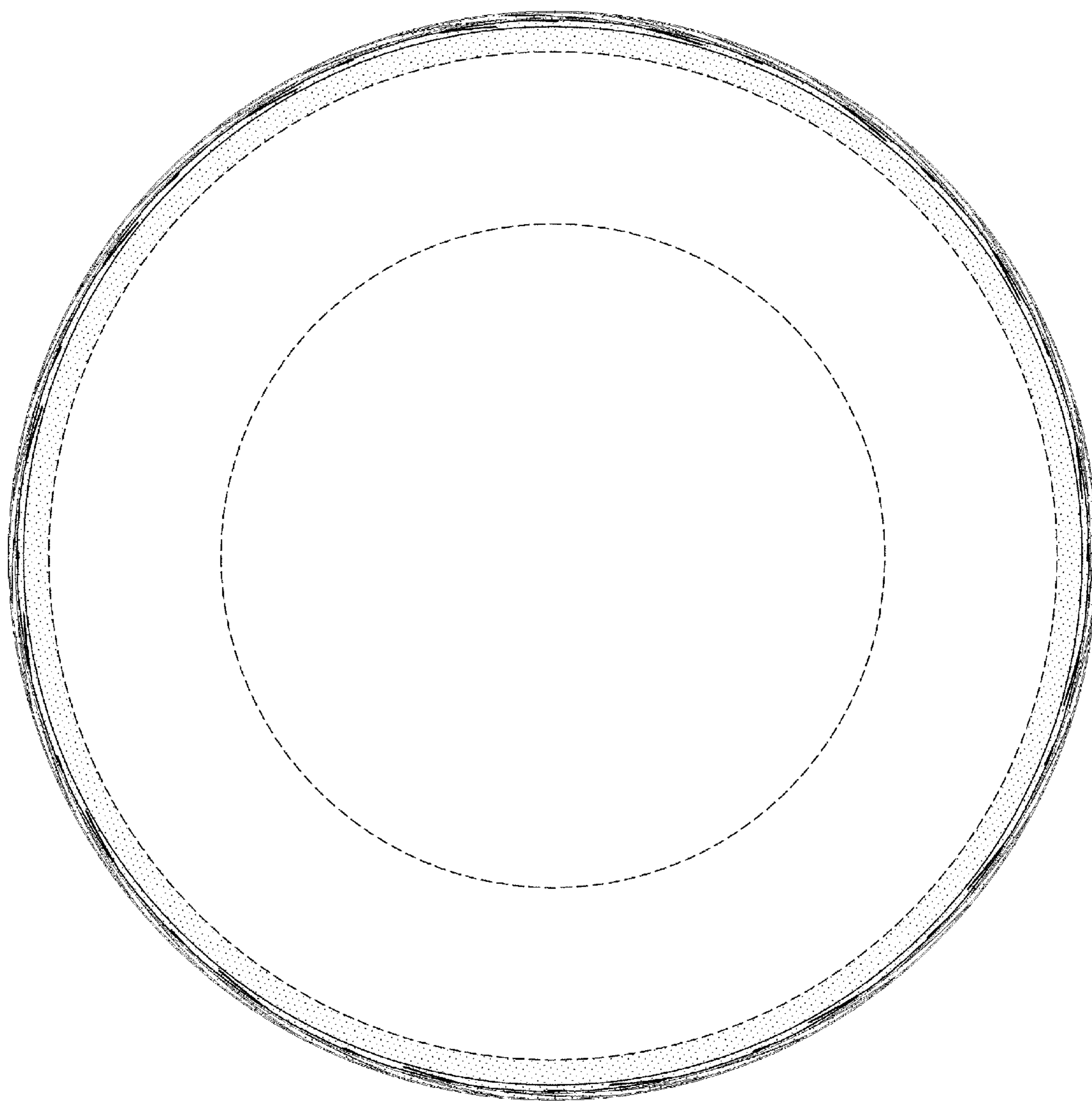


FIG-3

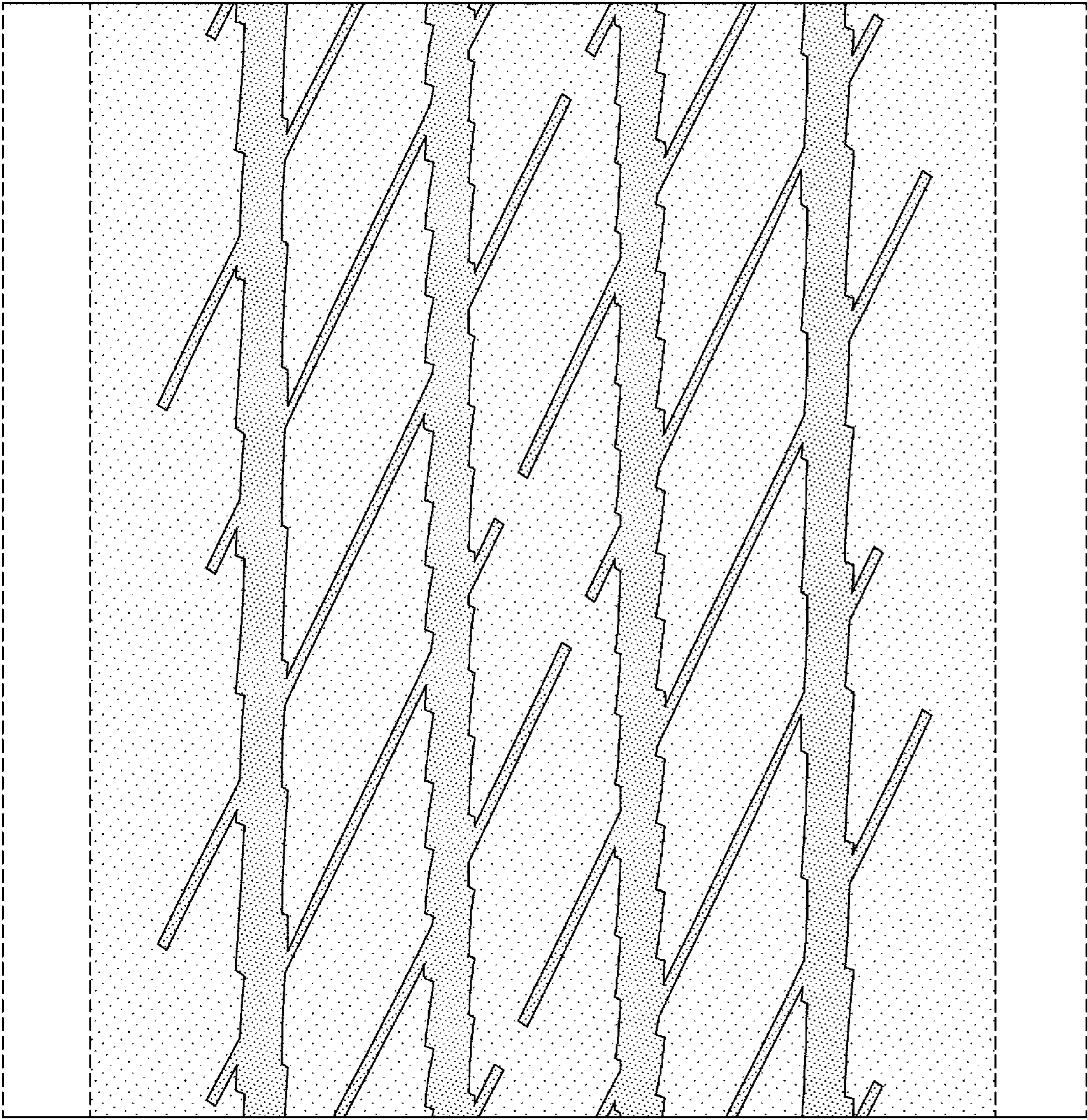


FIG-4



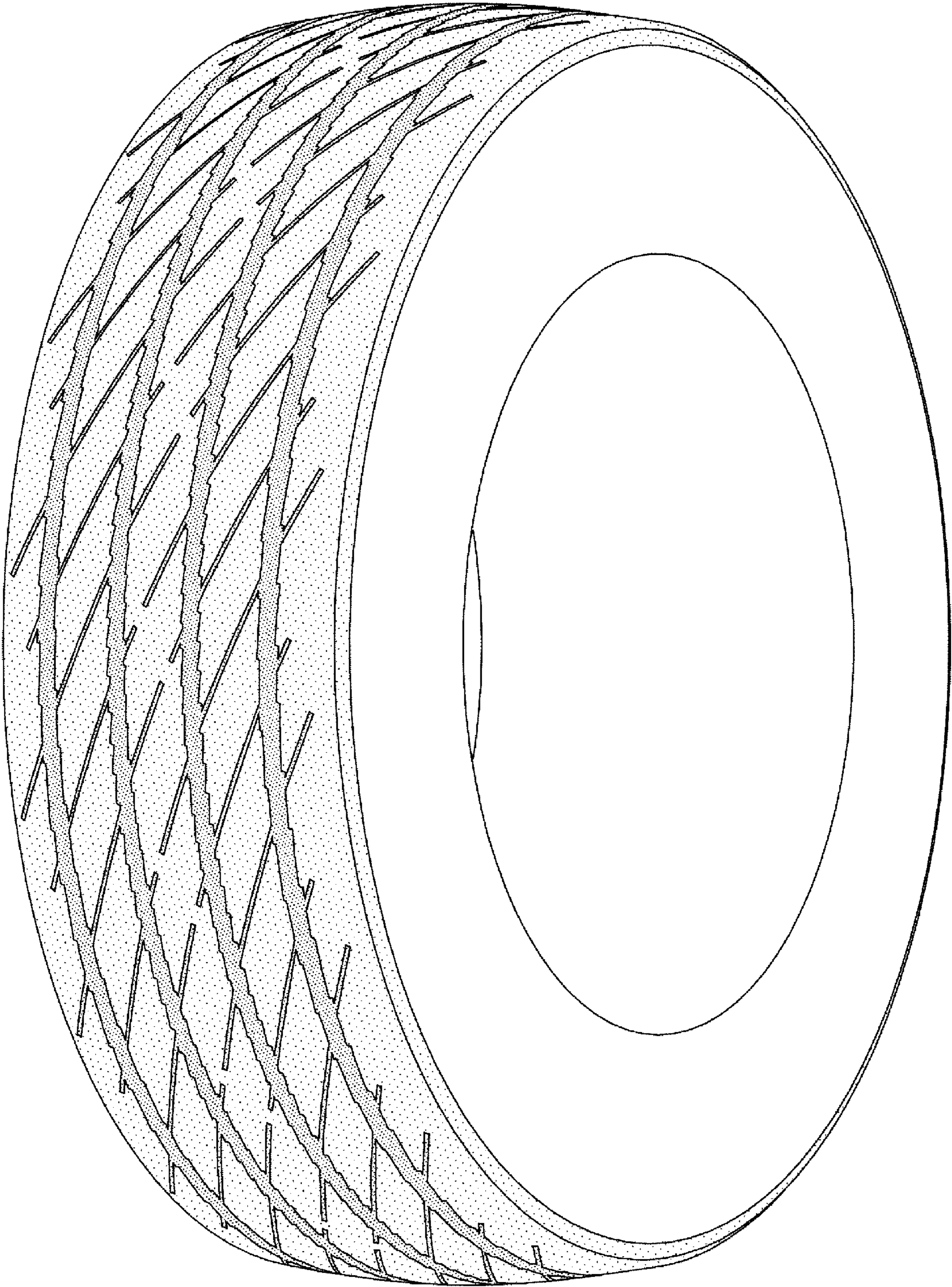


FIG-5

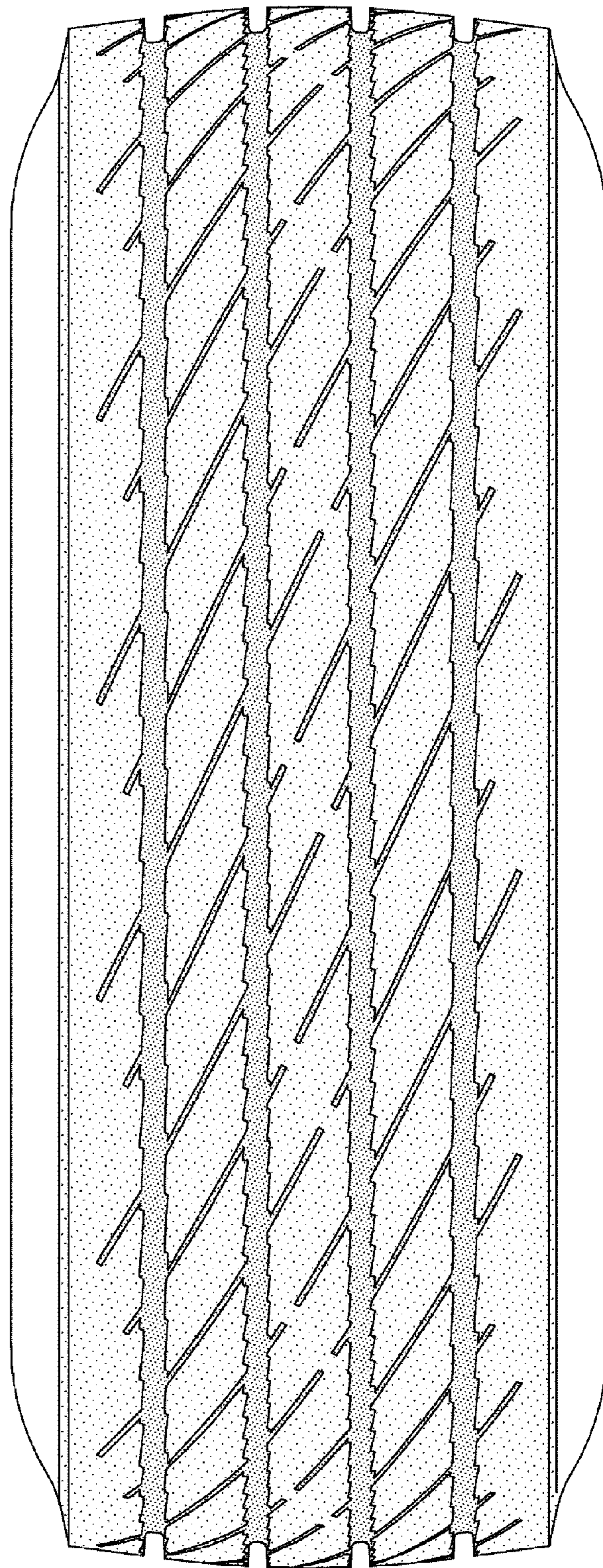


FIG-6