



US00D646626S

(12) **United States Design Patent**
Murata

(10) **Patent No.:** **US D646,626 S**

(45) **Date of Patent:** **** Oct. 11, 2011**

(54) **TIRE FOR AUTOMOBILE**
(75) Inventor: **Takehiko Murata**, Hyogo (JP)
(73) Assignee: **The Goodyear Tire & Rubber Company**, Akron, OH (US)

(**) Term: **14 Years**
(21) Appl. No.: **29/392,933**
(22) Filed: **May 27, 2011**

(30) **Foreign Application Priority Data**
Dec. 2, 2010 (JP) 2010-028782
(51) **LOC (9) Cl.** **12-15**
(52) **U.S. Cl.** **D12/586**
(58) **Field of Classification Search** D12/568-603,
D12/900-901, 551-556; 152/209.1-209.28,
152/455
See application file for complete search history.

(56) **References Cited**
U.S. PATENT DOCUMENTS
D368,687 S 4/1996 Hayashi D12/147
D426,502 S * 6/2000 O'Neill et al. D12/586
D427,551 S 7/2000 Weber D12/141
D458,897 S * 6/2002 Weber et al. D12/588
D470,101 S 2/2003 Heinen D12/584
D479,188 S 9/2003 Hutz et al. D12/603
D490,045 S 5/2004 Delu et al. D12/519
D513,402 S * 1/2006 Shirouzu D12/590
D537,406 S * 2/2007 Reim D12/590
D560,600 S 1/2008 Dixon et al. D12/588
D579,865 S 11/2008 Matsuyama et al. D12/586
D579,866 S 11/2008 Ohkubo D12/586
D580,348 S 11/2008 Fontaine et al. D12/591
D581,346 S 11/2008 Shondel et al. D12/521
D583,310 S 12/2008 Dixon et al. D12/588

D586,729 S	2/2009	Mukai	D12/550
D586,733 S	2/2009	Shinohara	D12/588
D595,220 S	6/2009	Maxwell	D12/590
D604,231 S *	11/2009	Hada	D12/589
D606,925 S	12/2009	Shavers et al.	D12/521
D610,970 S *	3/2010	You	D12/590

* cited by examiner

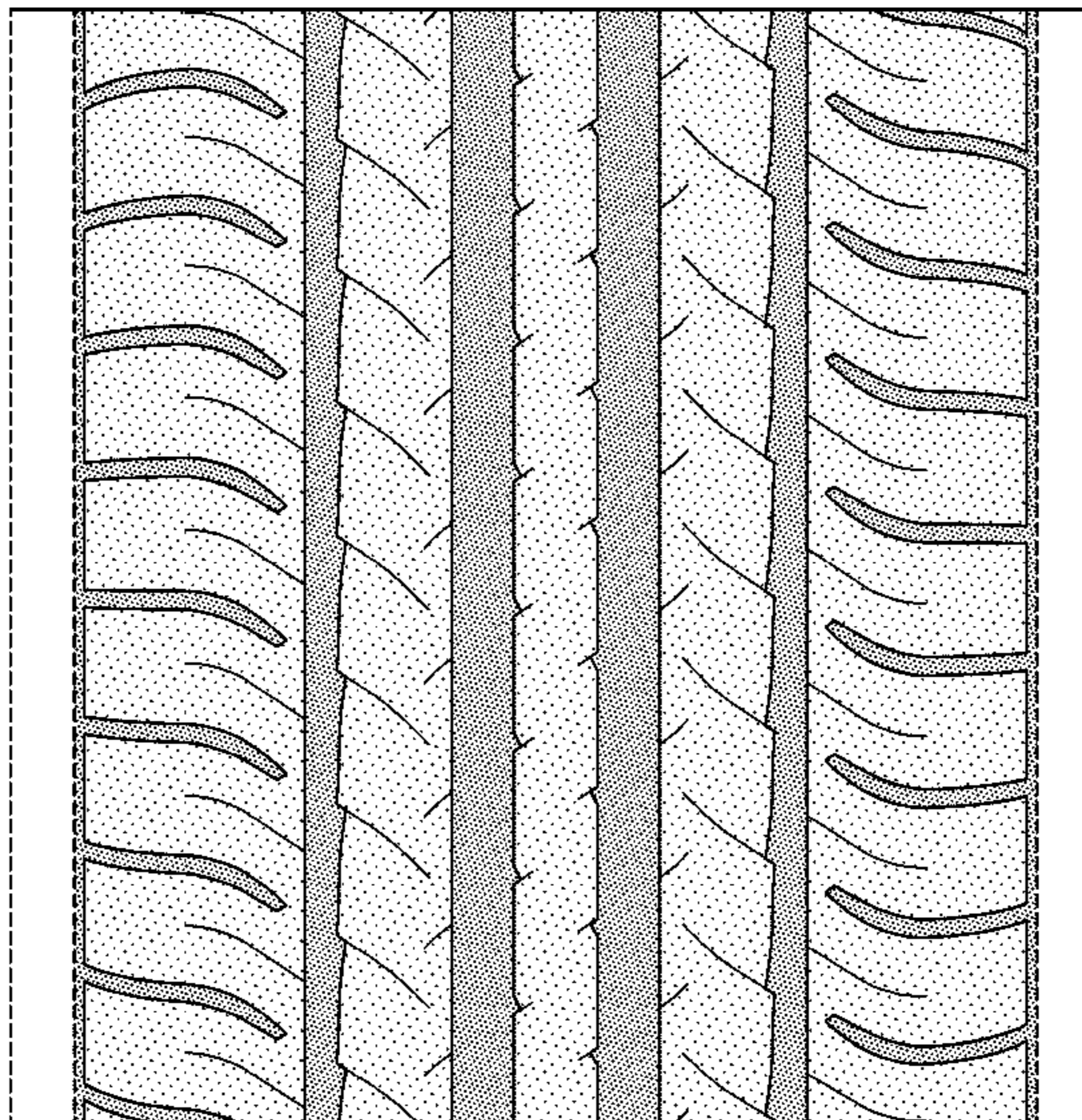
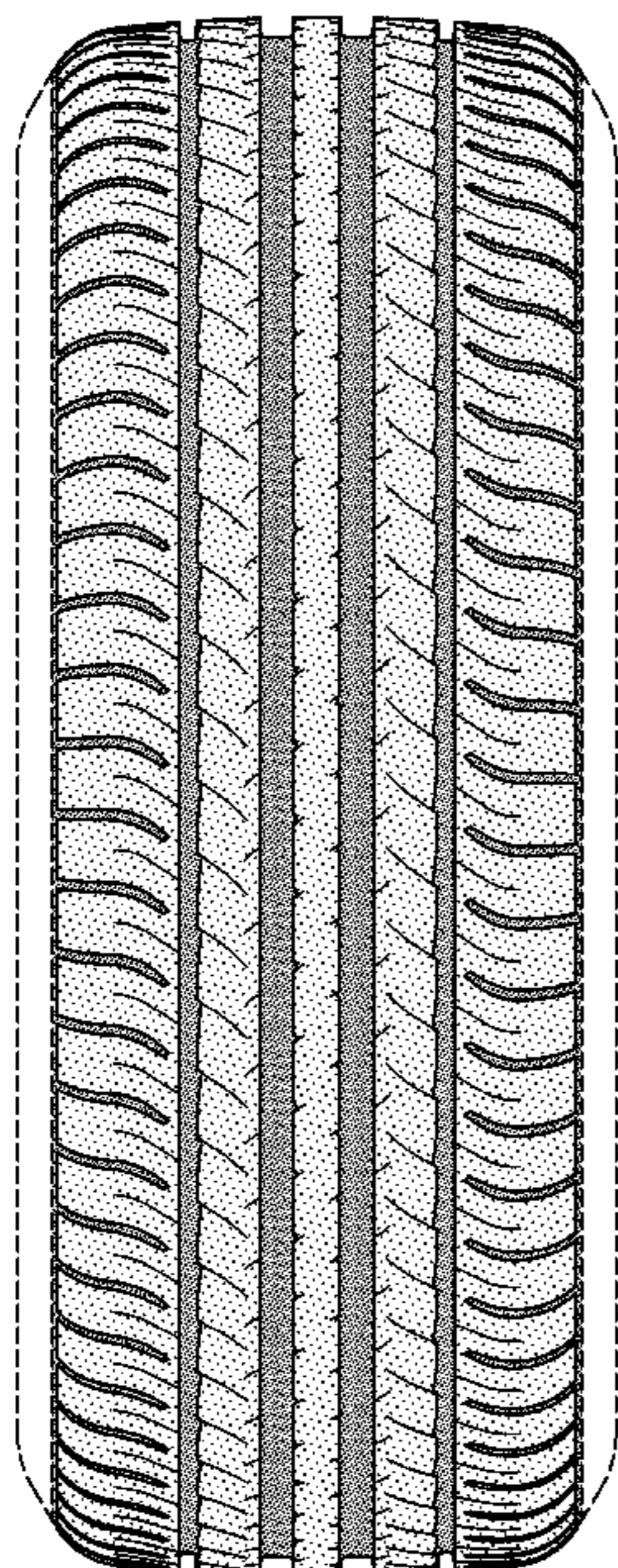
Primary Examiner — Stacia Cadmus
(74) *Attorney, Agent, or Firm* — Richard B. O'Planick

(57) **CLAIM**
The ornamental Design for a tire for automobile, as shown and described.

DESCRIPTION

FIG. 1 is a perspective view of a tire for automobile showing my new design, it being understood that the pattern repeats uniformly throughout the circumference of the tread; FIG. 2 is a front elevational view thereof; FIG. 3 is a right side elevational view thereof; the opposite side elevational view being identical thereto; FIG. 4 is an enlarged fragmentary front elevational view thereof; FIG. 5 is a perspective view of a second embodiment of a tire for automobile showing my new design, it being understood that the pattern repeats uniformly throughout the circumference of the tread and that the opposite side view is identical thereto; and, FIG. 6 is a front elevational view of a second embodiment, it being understood that an enlarged fragmentary view thereof would be substantially identical to that shown in FIG. 4, with the exception of the inclusion of the sidewall in solid lines. In the drawings, the broken lines showing of the sidewall, inner bead and the peripheral boundary between the tire tread and the sidewall in FIGS. 1 through 4 depict environmental subject matter and form no part of the claimed design.

1 Claim, 6 Drawing Sheets



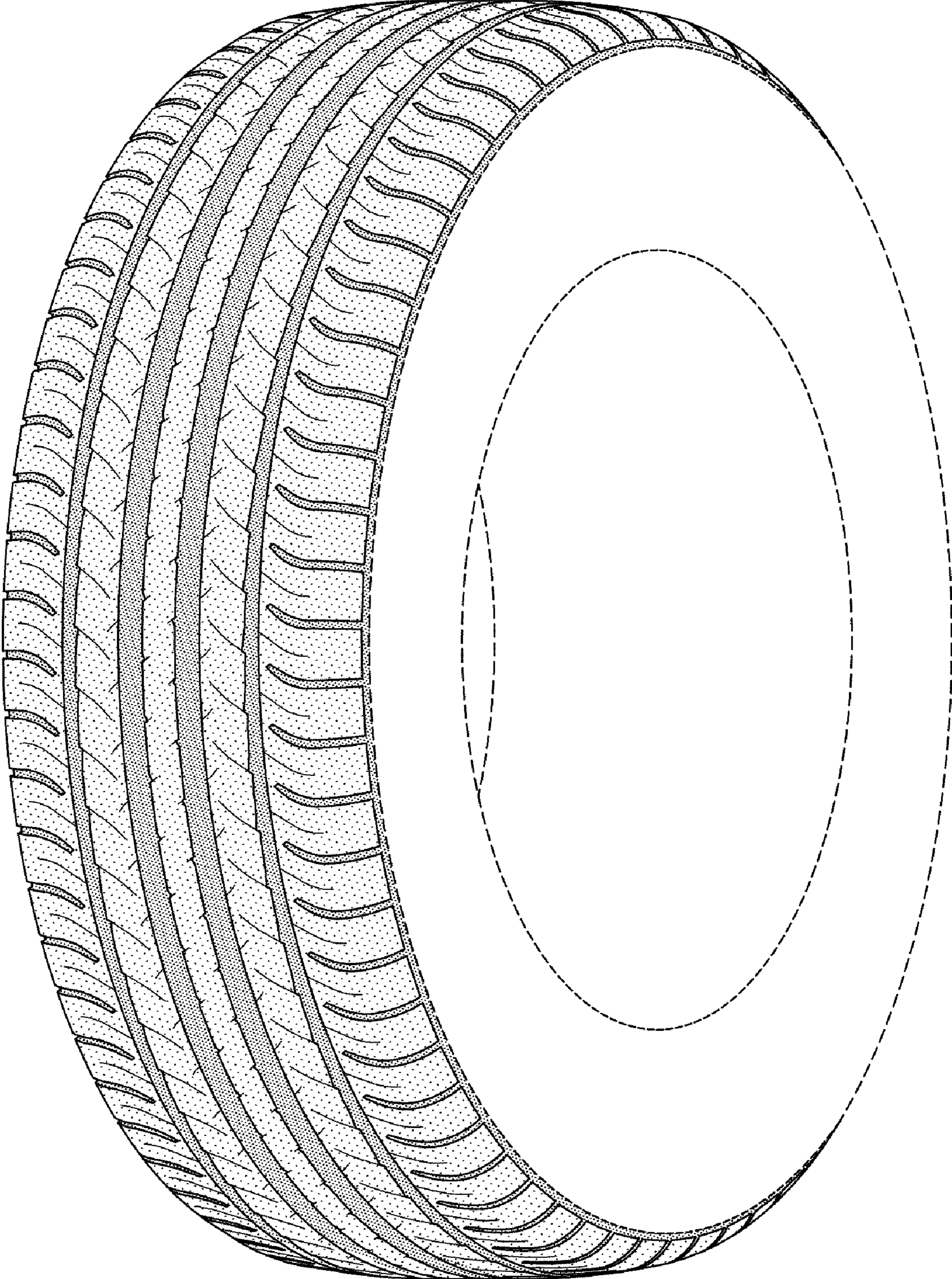


FIG-1

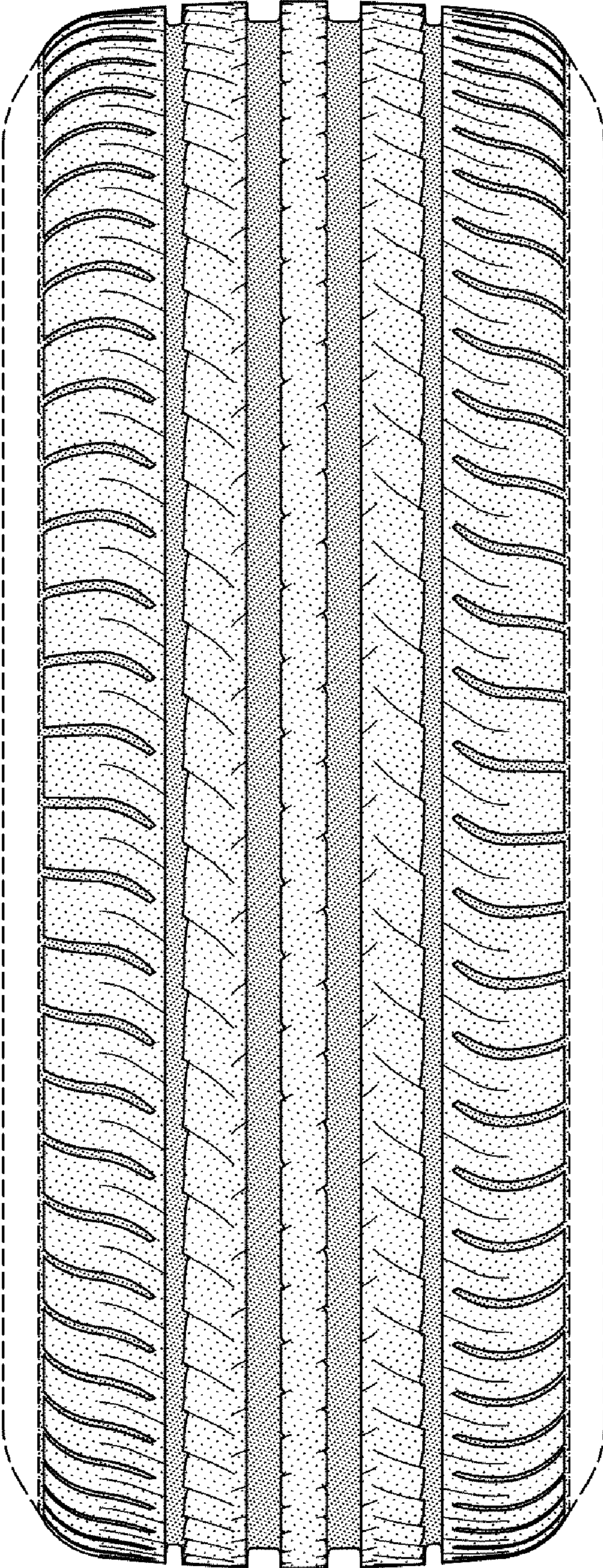


FIG-2

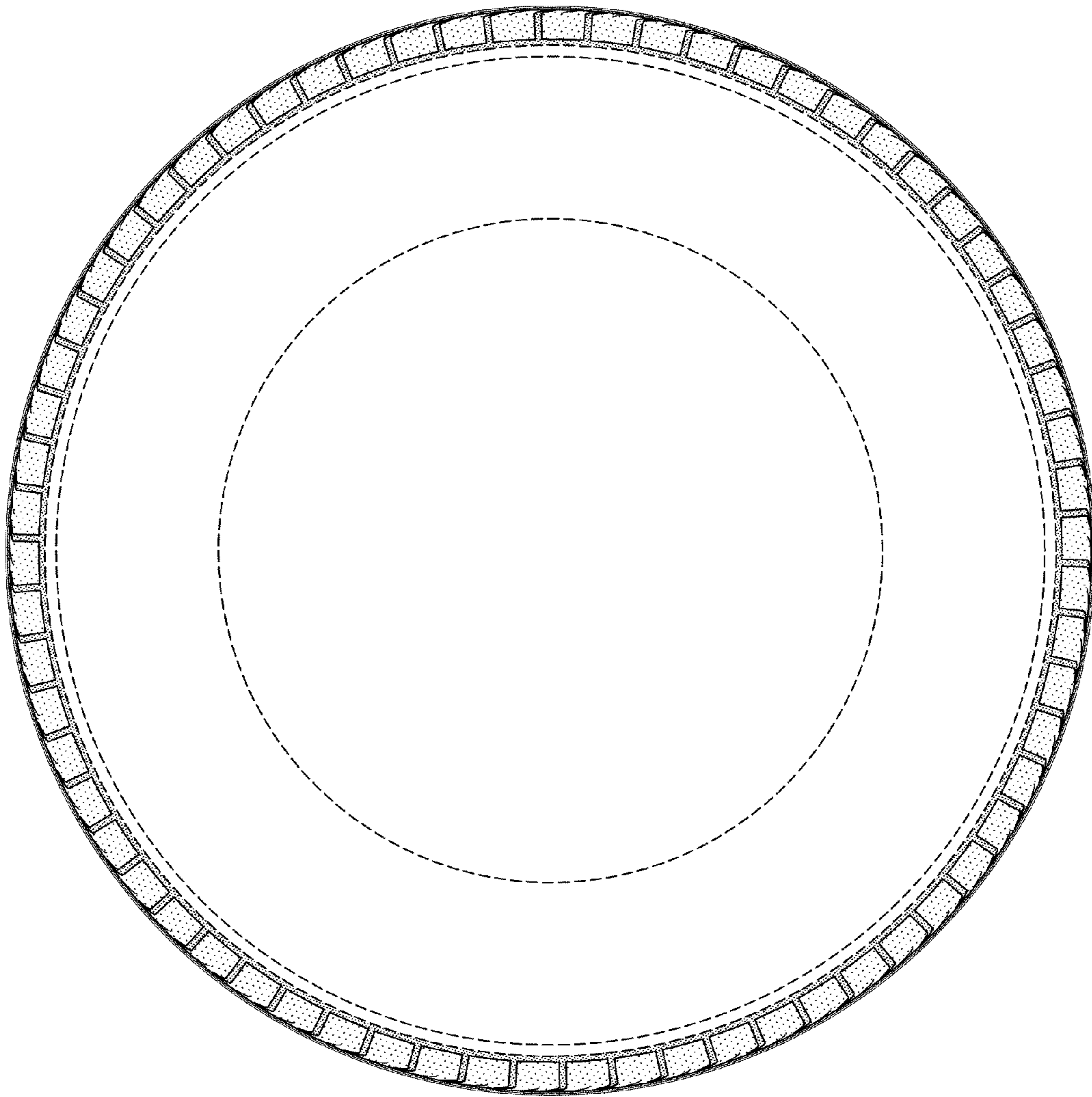


FIG-3

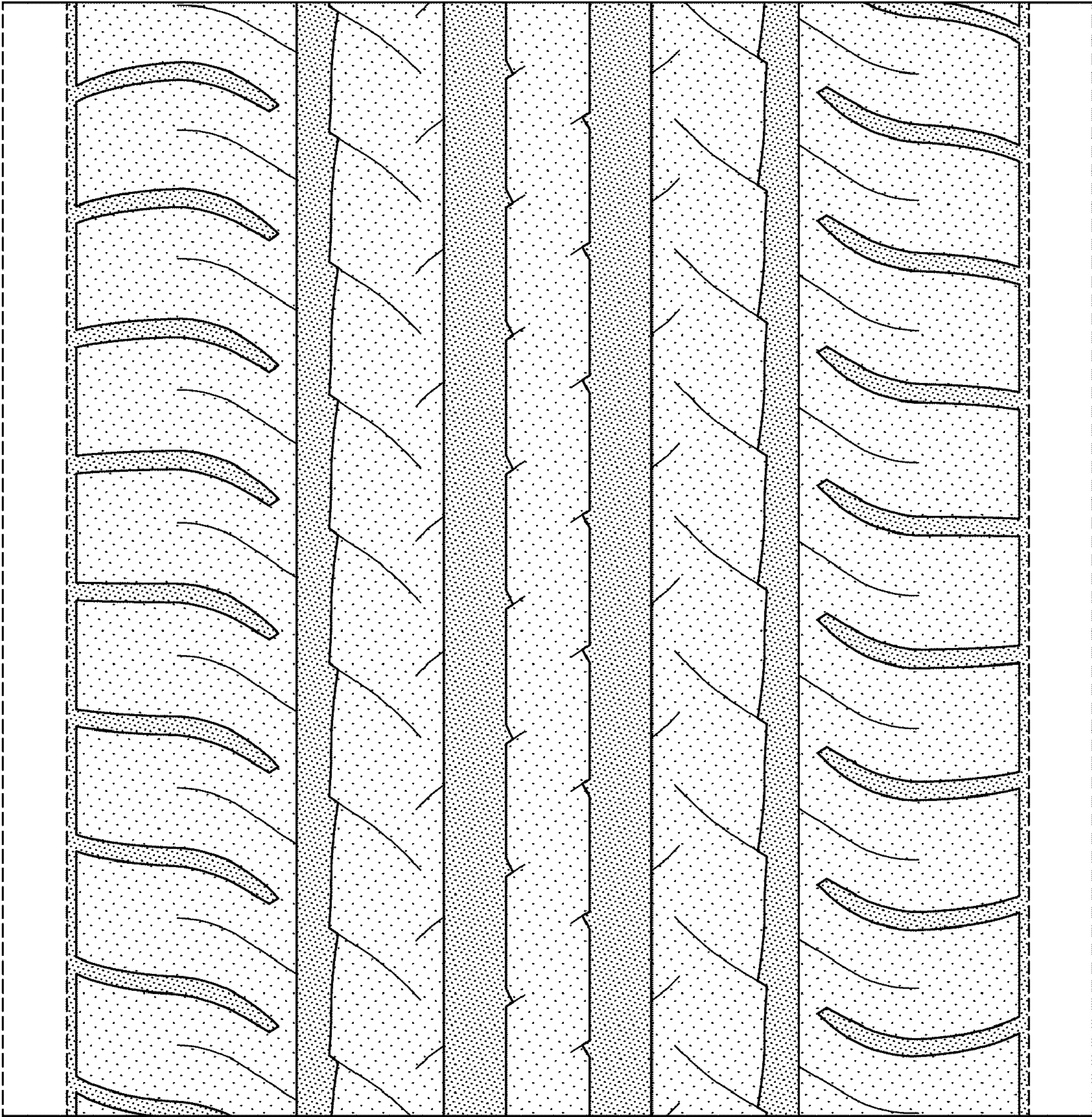


FIG-4

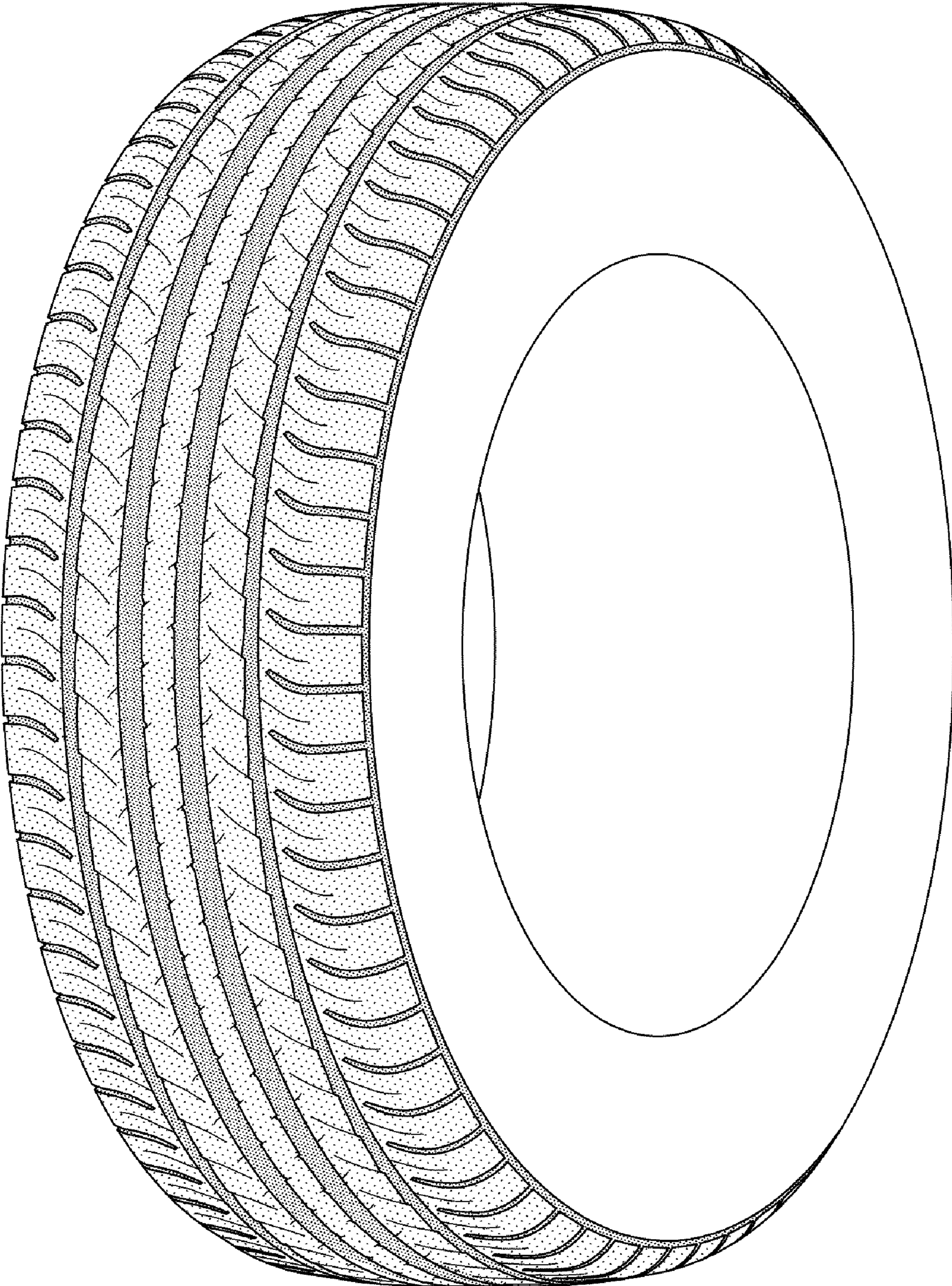


FIG-5

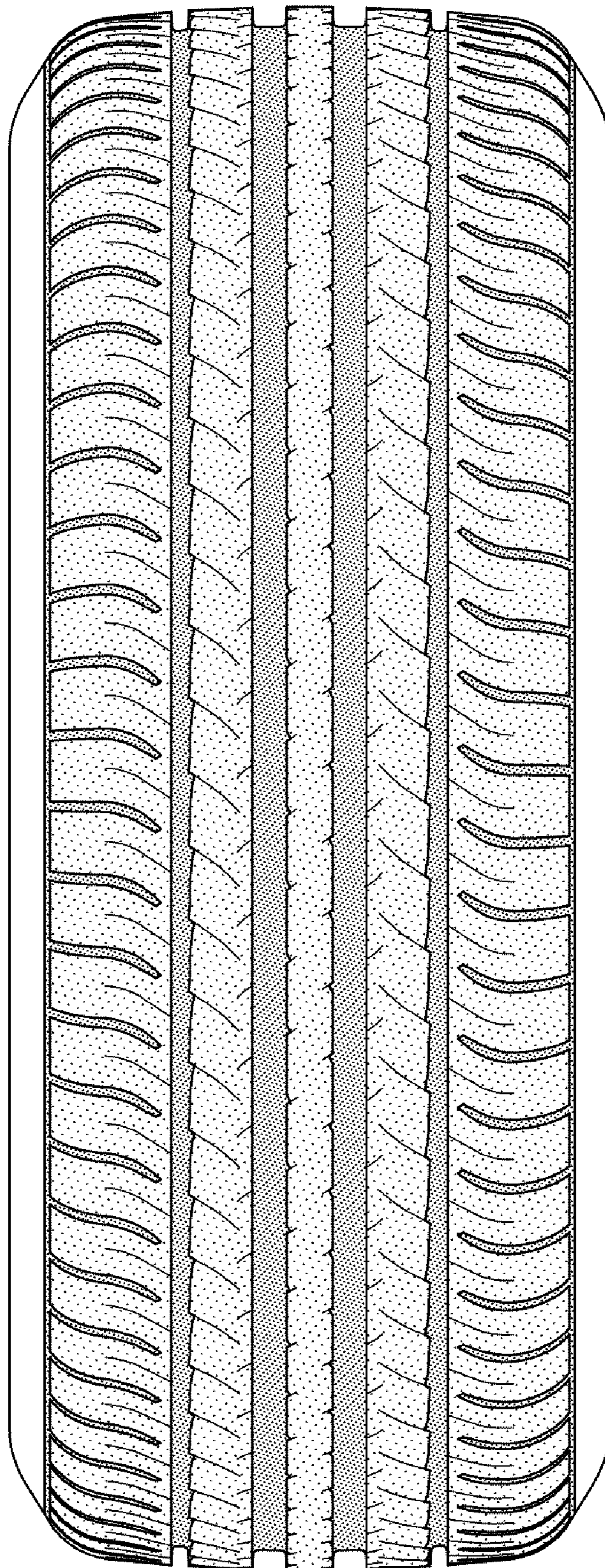


FIG-6