



US00D646621S

(12) **United States Design Patent**  
**Mulanon**

(10) **Patent No.:** **US D646,621 S**

(45) **Date of Patent:** **\*\* Oct. 11, 2011**

(54) **BRACKET DESIGN**

(75) Inventor: **Kasap Mulanon**, Bangkok (TH)

(73) Assignee: **Sammitr Green Power Co., Ltd.**,  
Bangkok (TH)

(\*\*) Term: **14 Years**

(21) Appl. No.: **29/373,270**

(22) Filed: **Mar. 23, 2011**

**Related U.S. Application Data**

(62) Division of application No. 29/349,220, filed on Mar. 16, 2010, now Pat. No. Des. 638,344.

(51) **LOC (9) Cl.** ..... **12-16**

(52) **U.S. Cl.** ..... **D12/406**

(58) **Field of Classification Search** ..... D12/413,  
D12/414, 406, 412, 414.1; 206/213, 8, 9,  
206/279, 290, 713, 335, 315.1-315.4; D32/35,  
D32/38; D6/317-319, 513-514, 552; 293/37.1,  
293/3, 100; 224/309-310, 315-316, 323-329,  
224/400; D3/304-306; 280/760-762, 848,  
280/727, 769; 296/99.1, 37.1, 100.01, 100.02,  
296/157

See application file for complete search history.

(56) **References Cited**

**U.S. PATENT DOCUMENTS**

4,298,151 A \* 11/1981 O'Connor ..... 224/329  
4,431,122 A \* 2/1984 Garmong ..... 224/268

5,067,641 A \* 11/1991 Johnson et al. .... 224/501  
5,282,555 A \* 2/1994 Muir et al. .... 224/532  
5,469,997 A \* 11/1995 Carlson ..... 224/521  
5,803,330 A \* 9/1998 Stack et al. .... 224/518  
D435,009 S \* 12/2000 McCoy et al. .... D12/406  
6,173,705 B1 \* 1/2001 DeWitt ..... 124/1  
D568,437 S \* 5/2008 McBurney et al. .... D22/108

\* cited by examiner

*Primary Examiner* — Caron D Veynar

*Assistant Examiner* — Katrina A Kile

(74) *Attorney, Agent, or Firm* — Fross Zelnick Lehrman &  
Zissu, P.C.; Charles T. J. Weigell, Esq.

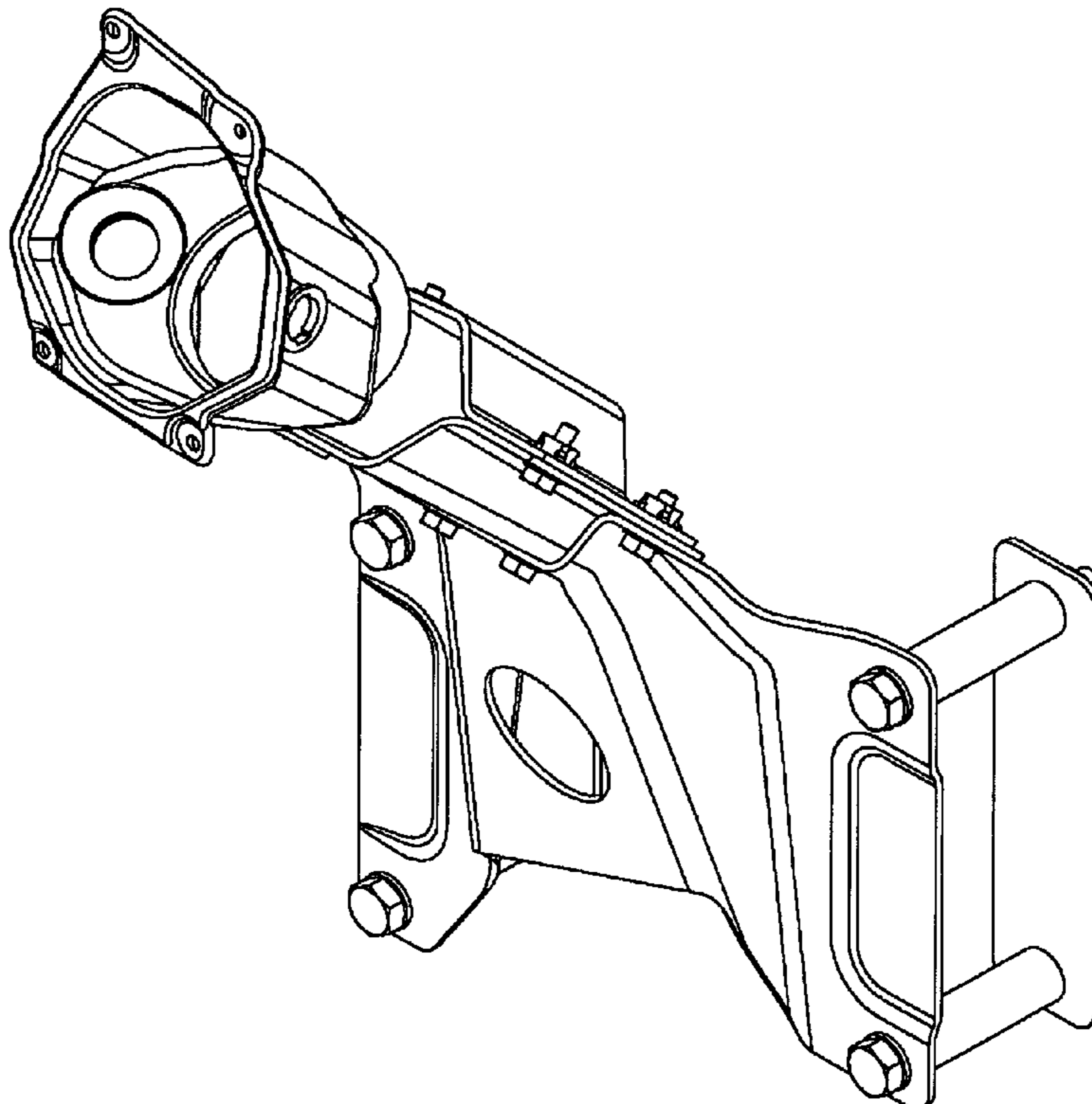
(57) **CLAIM**

The ornamental design for a bracket design, as shown and described.

**DESCRIPTION**

FIG. 1 is a front perspective view of a bracket design;  
FIG. 2 is a front view of the bracket design shown in FIG. 1;  
FIG. 3 is a right side view of the bracket design shown in FIG. 1;  
FIG. 4 is a rear view of the bracket design shown in FIG. 1;  
FIG. 5 is a top view of the bracket design shown in FIG. 1;  
FIG. 6 is a left side view of the bracket design shown in FIG. 1;  
FIG. 7 is a bottom view of the bracket design shown in FIG. 1; and,  
FIG. 8 is a rear perspective view of the bracket design shown in FIG. 1.

**1 Claim, 8 Drawing Sheets**



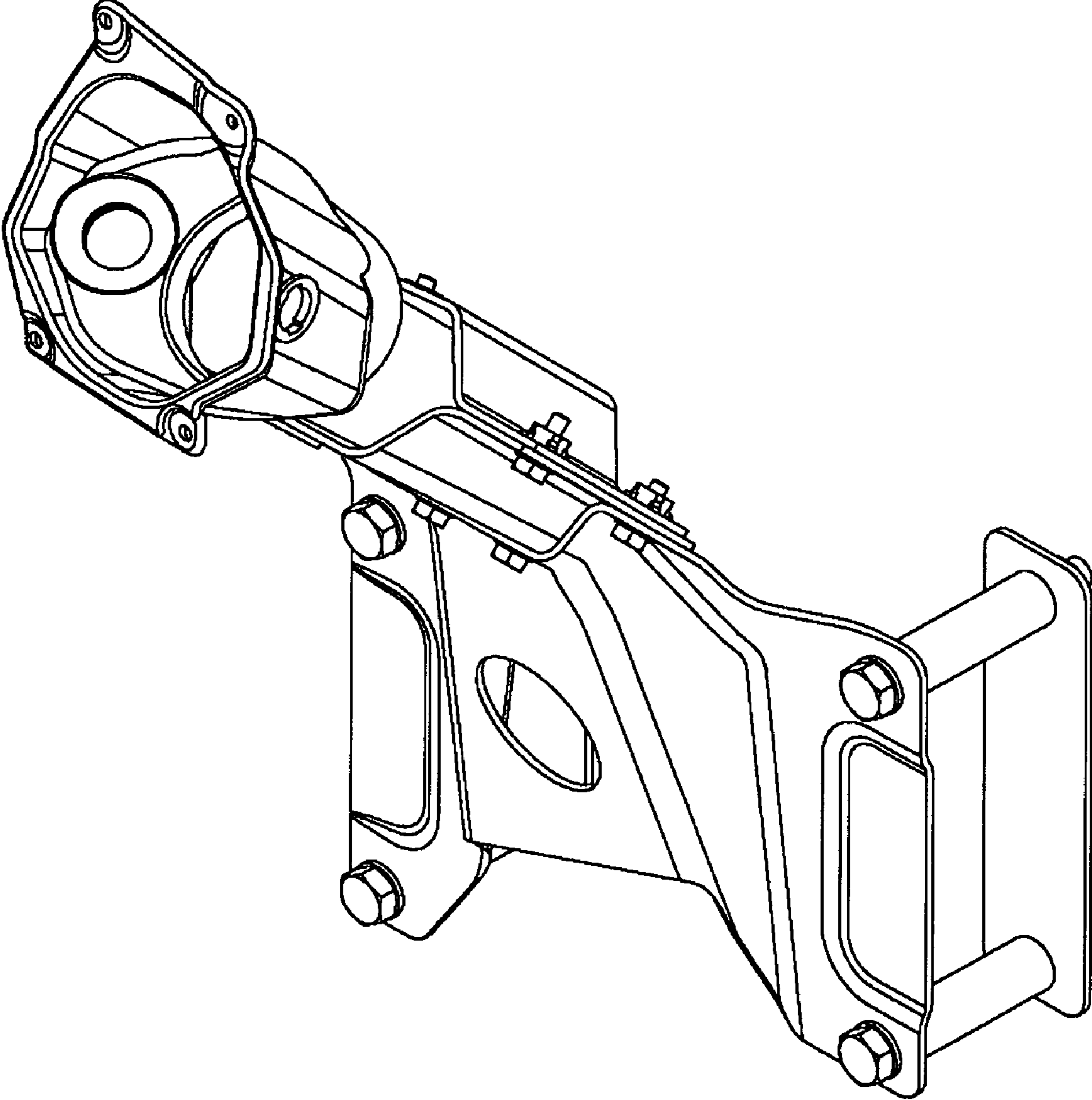


FIG. 1

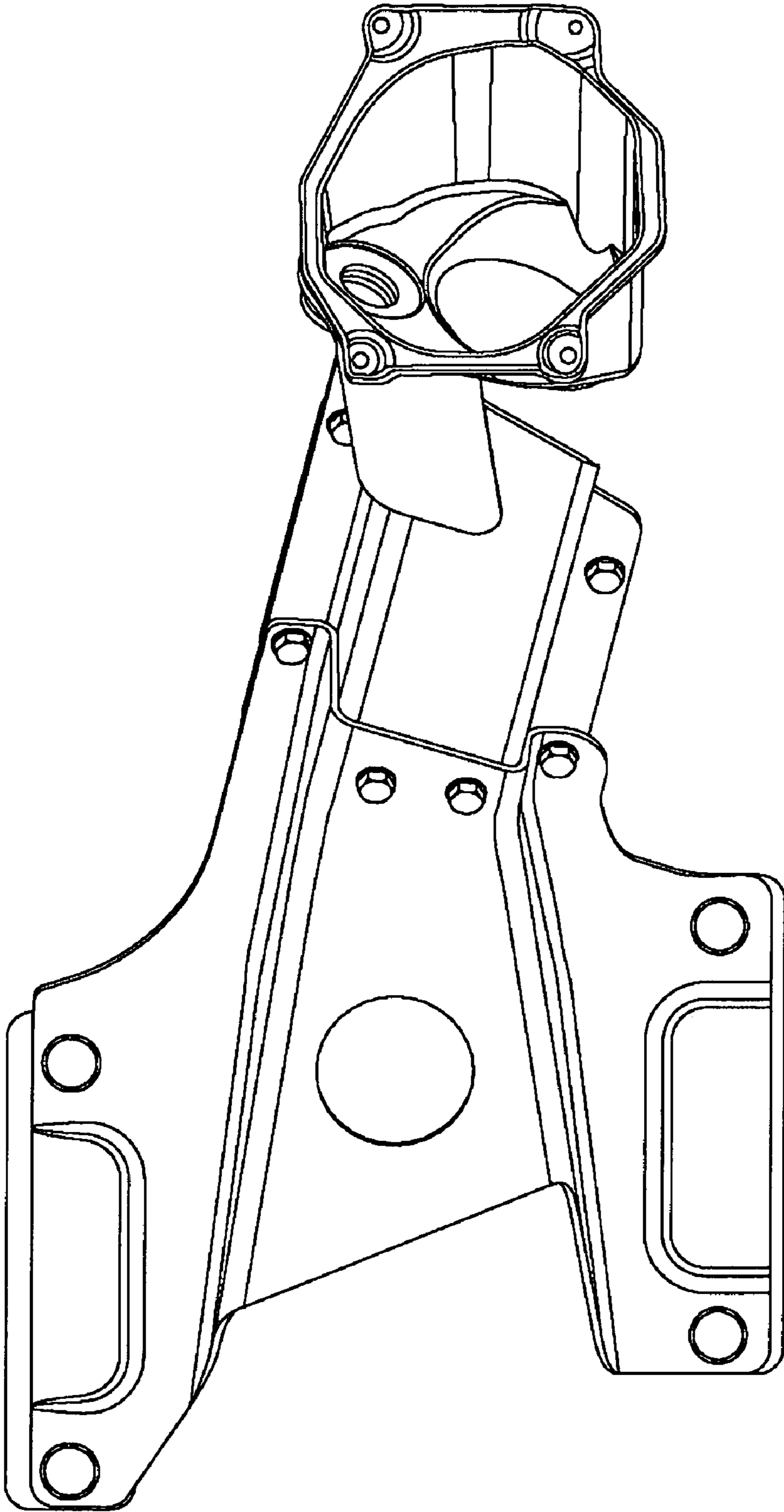


FIG. 2

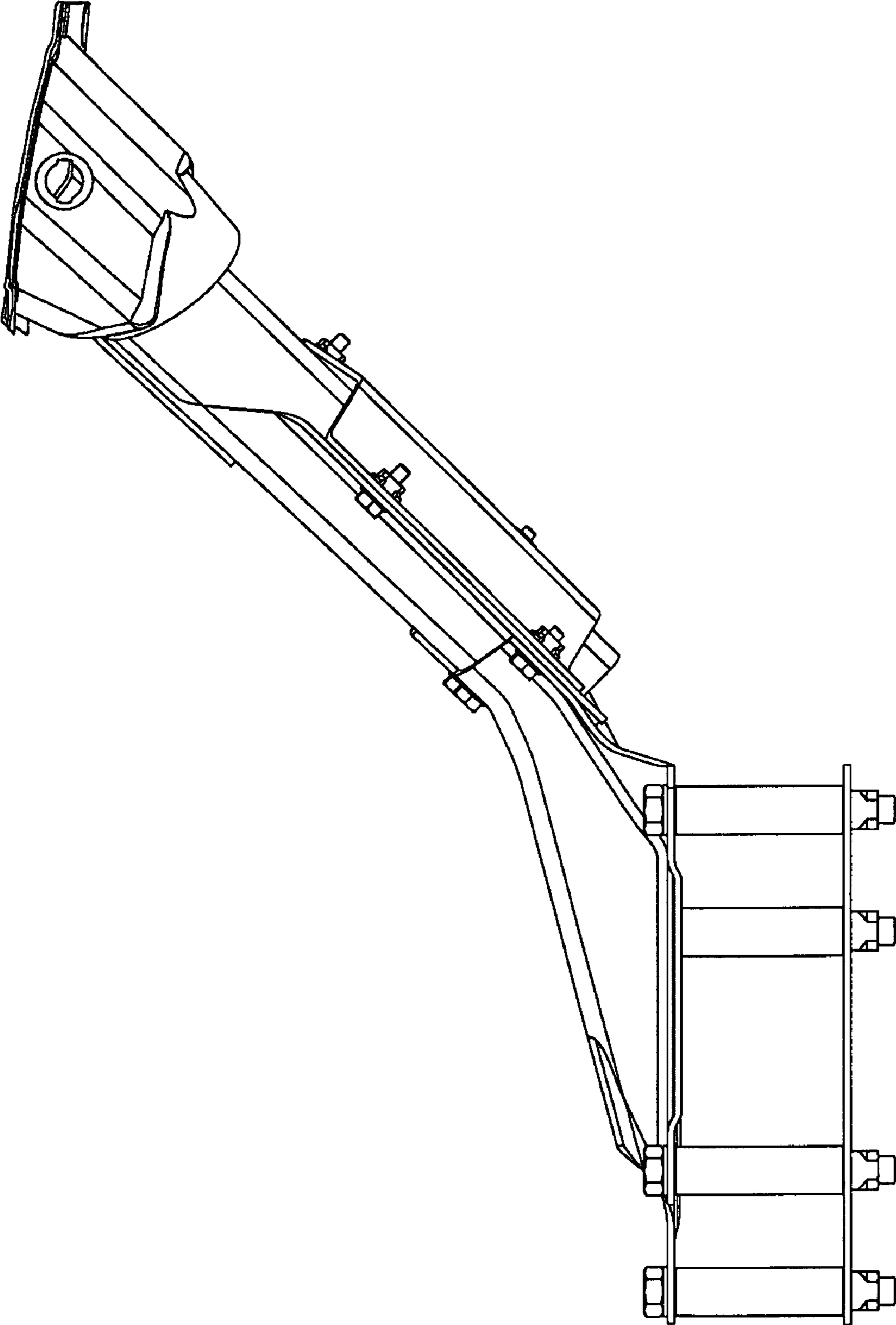


FIG. 3

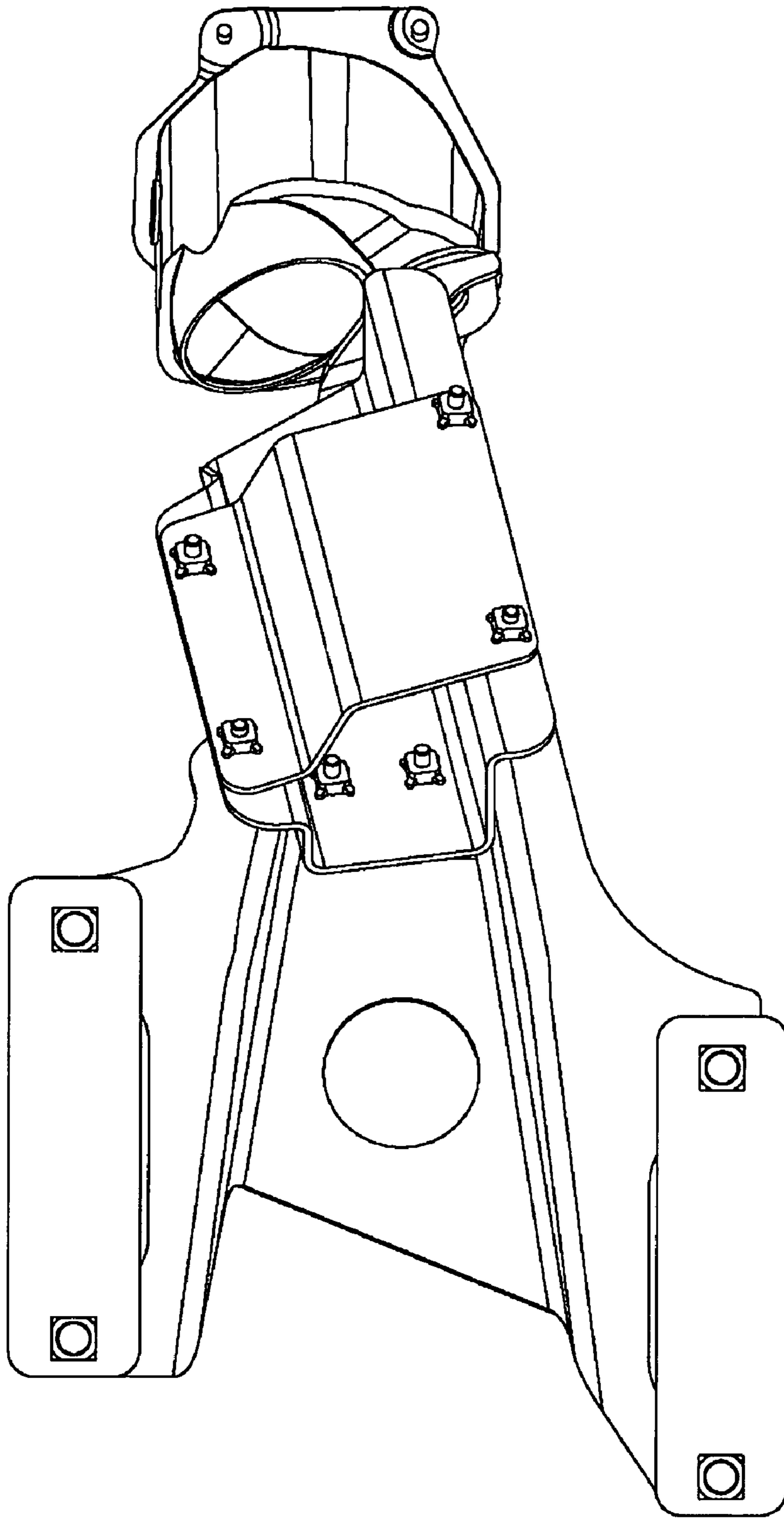
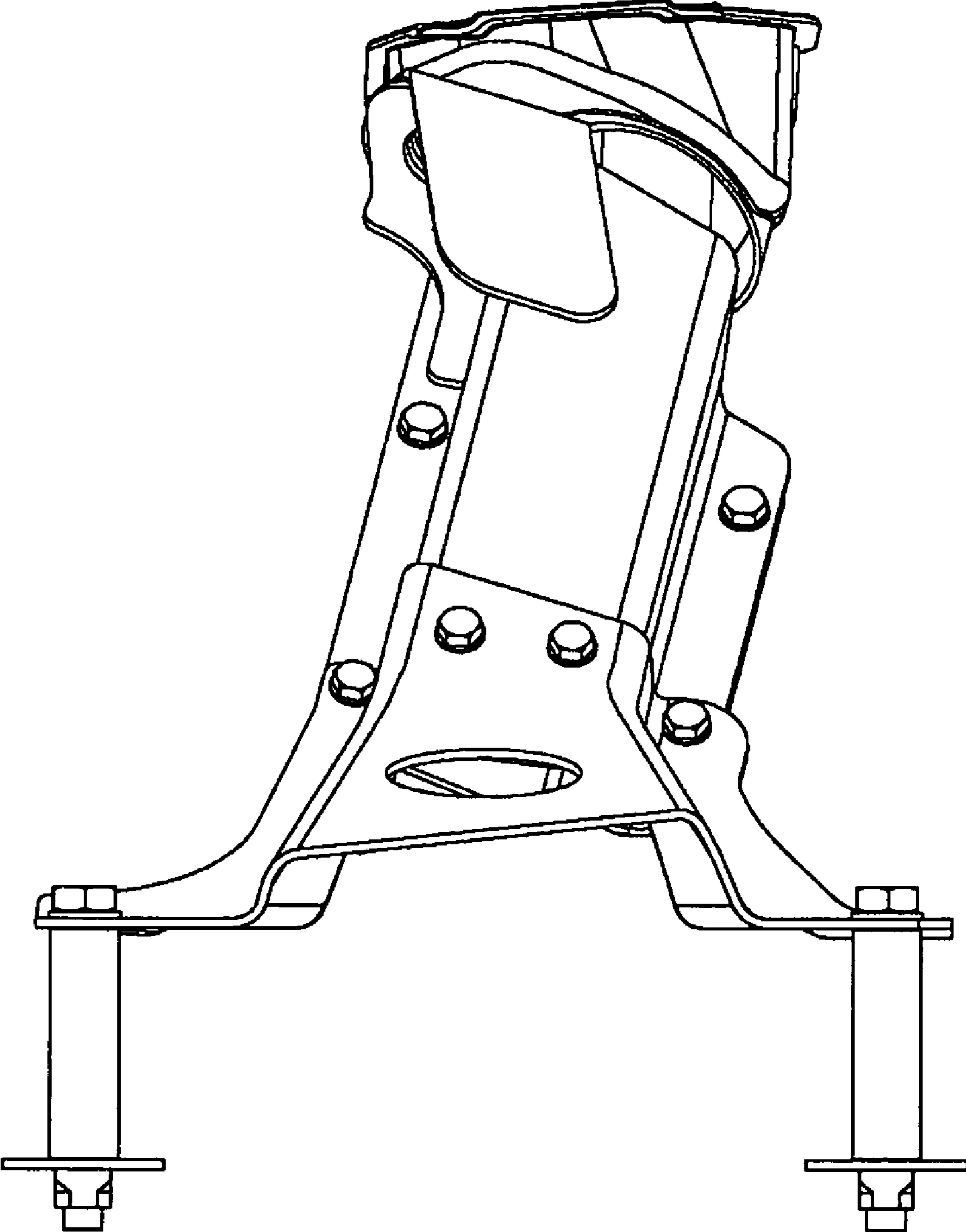


FIG. 4



**FIG. 5**

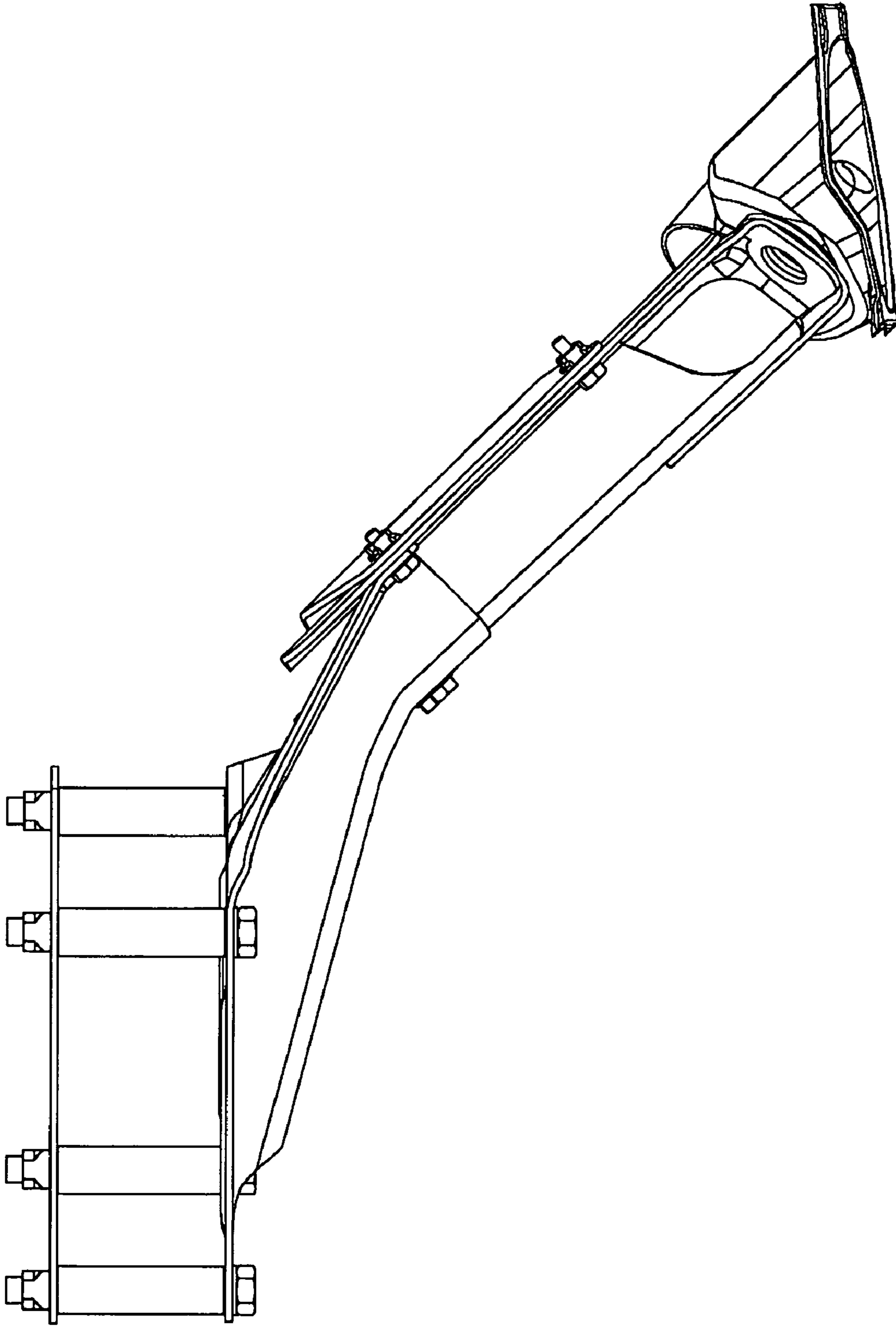


FIG. 6

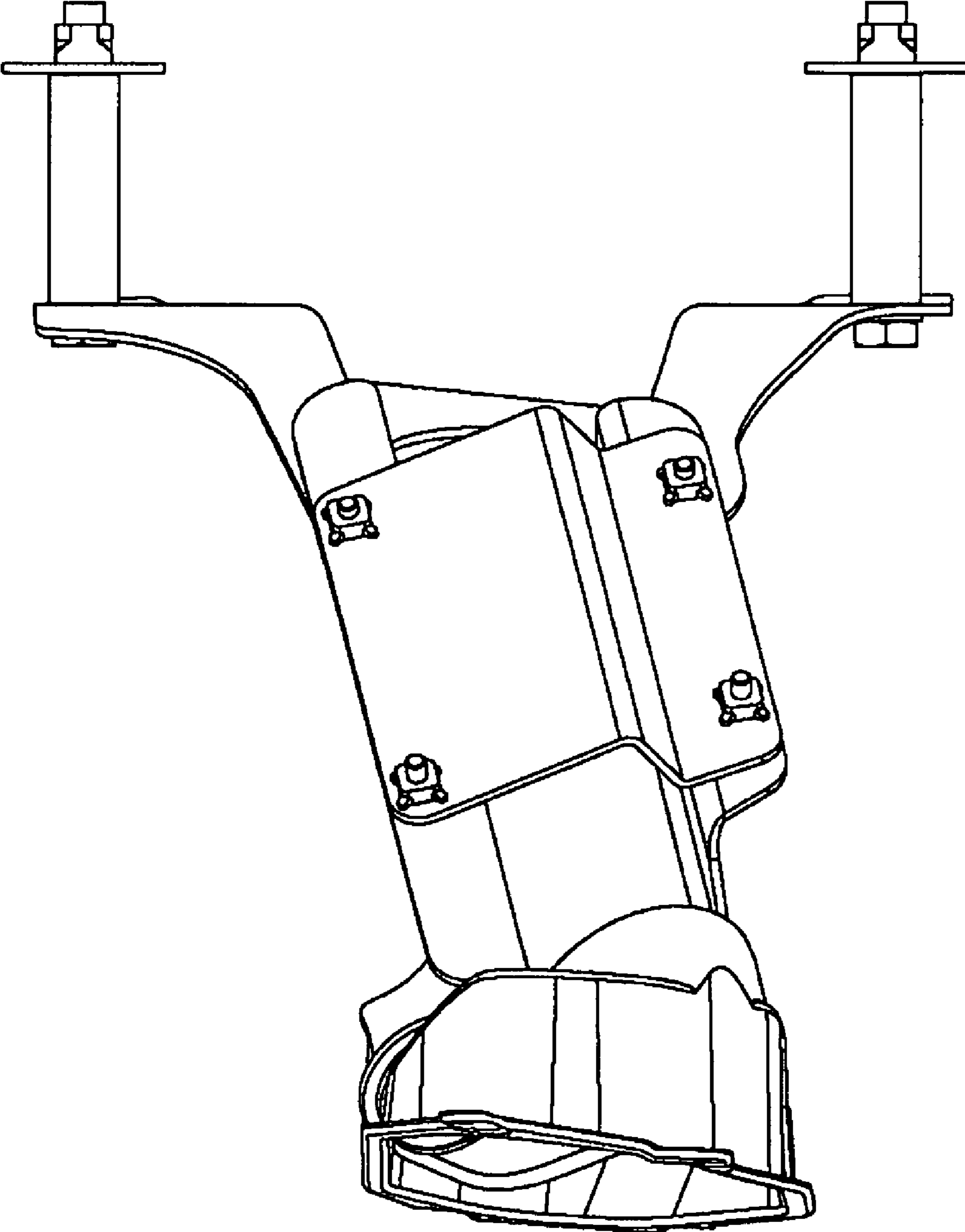


FIG. 7



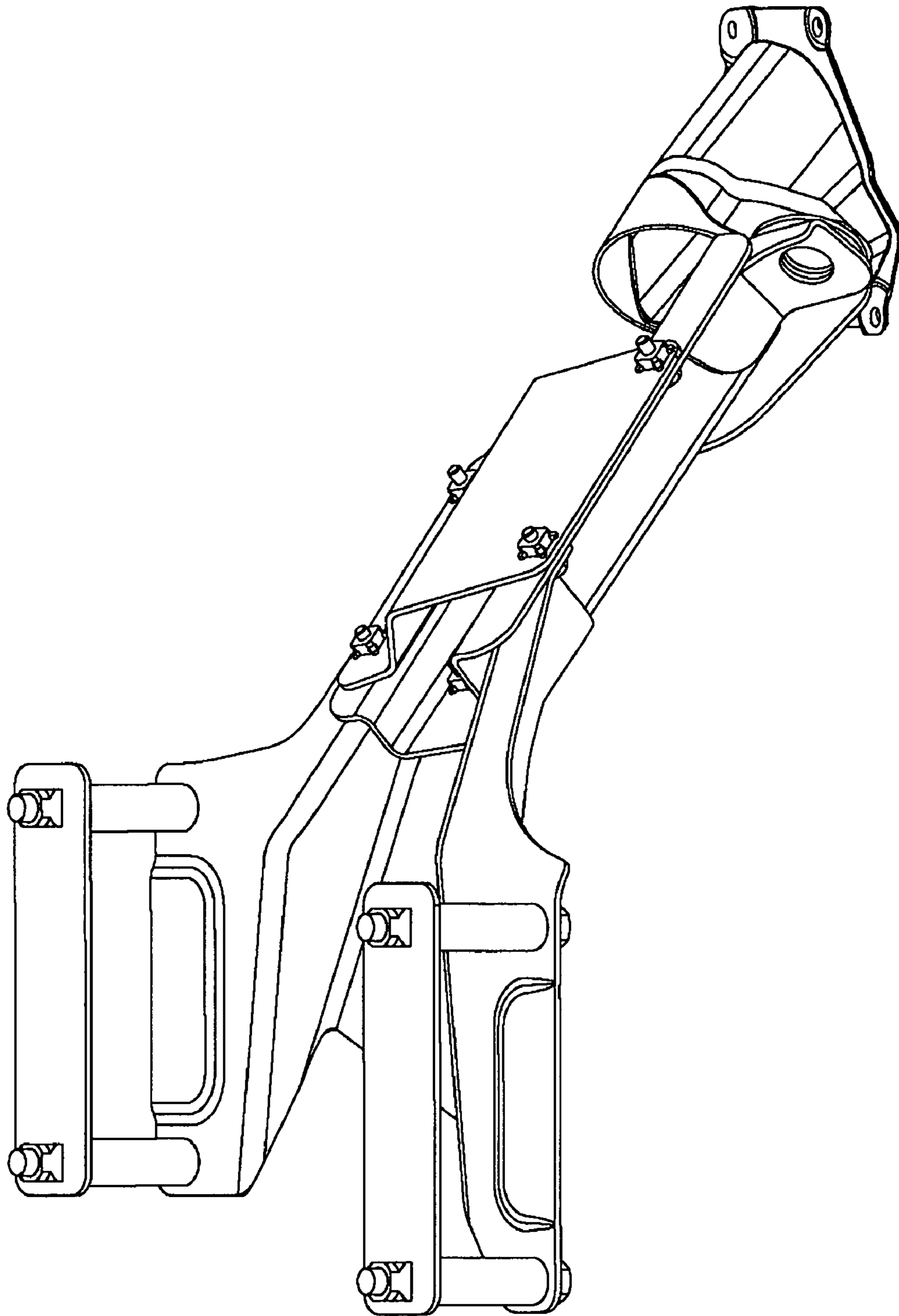


FIG. 8