



US00D646618S

(12) **United States Design Patent**
Mulanon

(10) **Patent No.:** **US D646,618 S**

(45) **Date of Patent:** **** Oct. 11, 2011**

(54) **BRACKET DESIGN**

(75) Inventor: **Kasap Mulanon**, Bangkok (TH)

(73) Assignee: **Sammitr Green Power Co., Ltd.**,
Bangkok (TH)

(**) Term: **14 Years**

(21) Appl. No.: **29/373,266**

(22) Filed: **Mar. 23, 2011**

Related U.S. Application Data

(62) Division of application No. 29/349,220, filed on Mar. 16, 2010, now Pat. No. Des. 638,344.

(51) **LOC (9) Cl.** **12-16**

(52) **U.S. Cl.** **D12/406**

(58) **Field of Classification Search** D12/413,
D12/414, 406, 412, 414.1; 206/213, 8, 9,
206/279, 290, 713, 335, 315.1-315.4; D32/35,
D32/38; D6/317-319, 513-514, 552; 293/37.1,
293/3, 100; 224/309-310, 315-316, 323-329,
224/400; D3/304-306; 280/760-762, 848,
280/727, 769; 296/99.1, 37.1, 100.01, 100.02,
296/157

See application file for complete search history.

(56) **References Cited**

U.S. PATENT DOCUMENTS

3,944,179 A * 3/1976 Piper 248/231.71
4,108,313 A * 8/1978 Bogar, Jr. 211/64

4,450,989 A * 5/1984 Bogar, Jr. 224/549
D302,262 S * 7/1989 Dickerman D12/412
D310,446 S * 9/1990 Elkins D12/406
4,954,030 A * 9/1990 Szucs et al. 410/96
D356,541 S * 3/1995 Morford D12/406
D401,213 S * 11/1998 Inchaurregui D12/406
D585,516 S * 1/2009 Smith D22/108
D598,971 S * 8/2009 Peterson et al. D22/108
7,900,802 B2 * 3/2011 Hammond 224/521

* cited by examiner

Primary Examiner — Caron D Veynar

Assistant Examiner — Katrina A Kile

(74) *Attorney, Agent, or Firm* — Fross Zelnick Lehrman & Zissu, P.C.; Charles T. J. Weigell, Esq.

(57) **CLAIM**

The ornamental design for a bracket design, as shown and described.

DESCRIPTION

FIG. 1 is a front perspective view of a bracket for a single compressed natural gas (“CNG”) tank for motor vehicles showing my new design;

FIG. 2 is a front view of the bracket shown in FIG. 1;

FIG. 3 is a right side view of the bracket shown in FIG. 1;

FIG. 4 is a rear view of the bracket shown in FIG. 1;

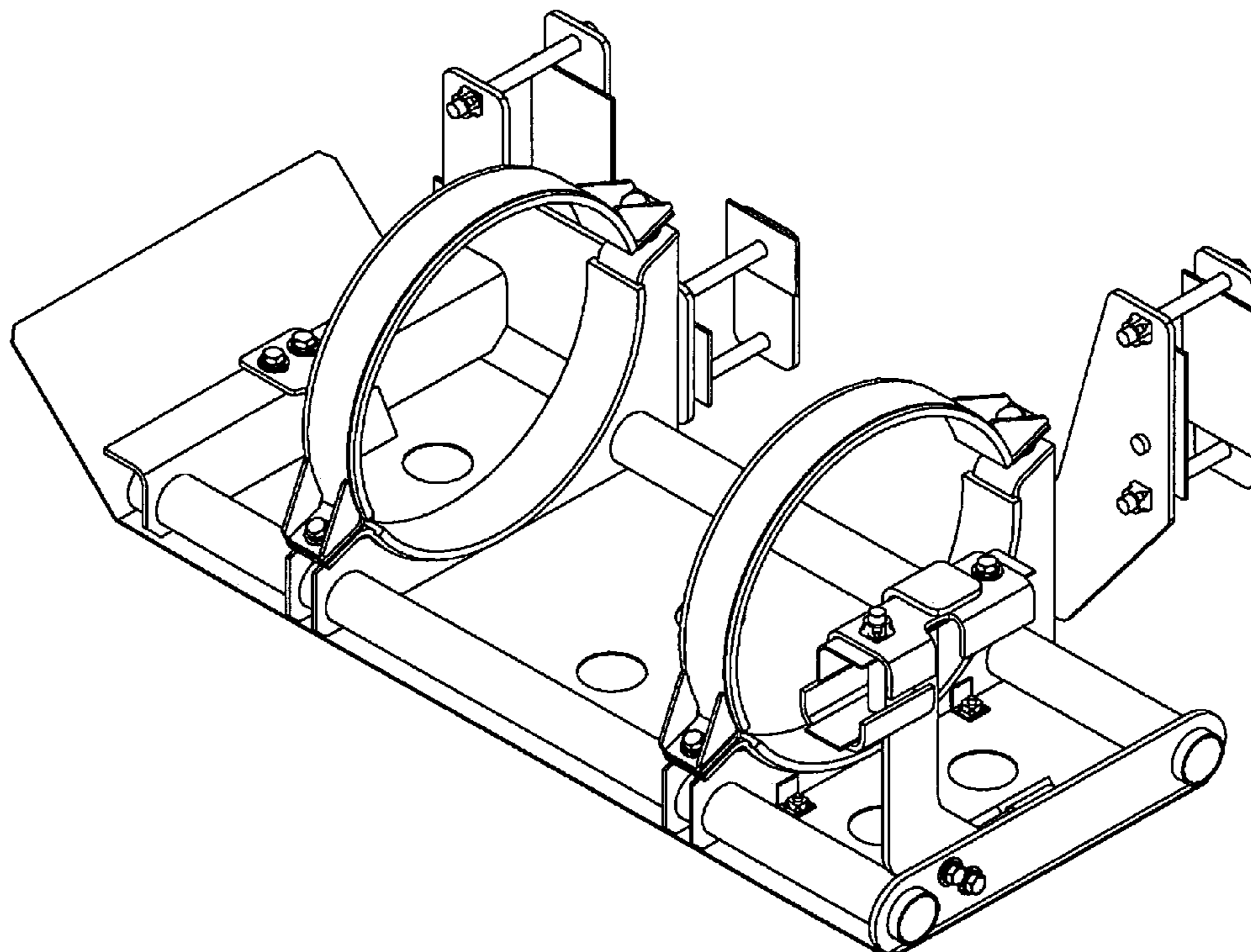
FIG. 5 is a left side view of the bracket shown in FIG. 1;

FIG. 6 is a top view of the bracket shown in FIG. 1;

FIG. 7 is a bottom view of the bracket shown in FIG. 1; and,

FIG. 8 is a rear perspective view of the bracket shown in FIG. 1.

1 Claim, 8 Drawing Sheets



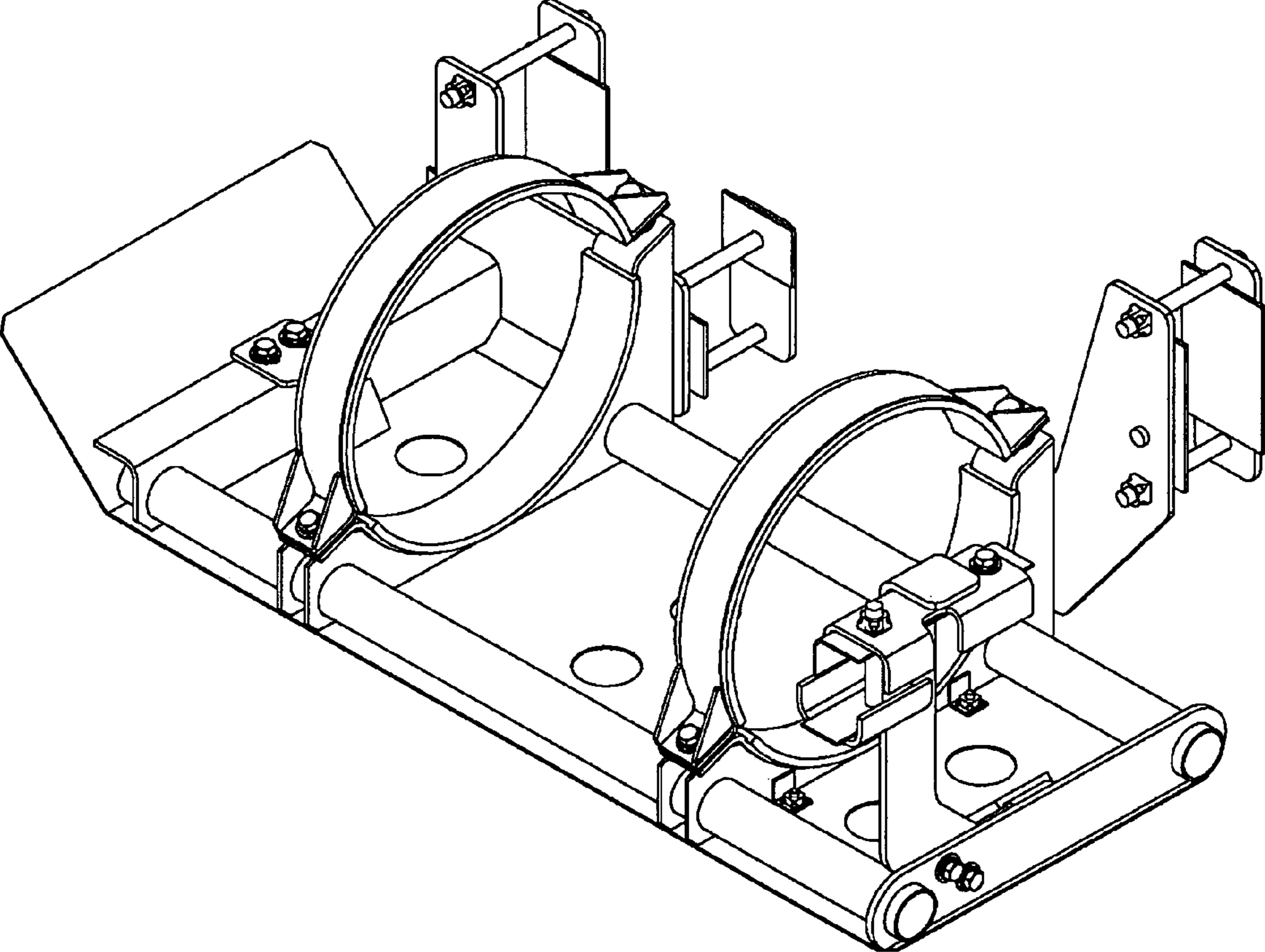


FIG. 1

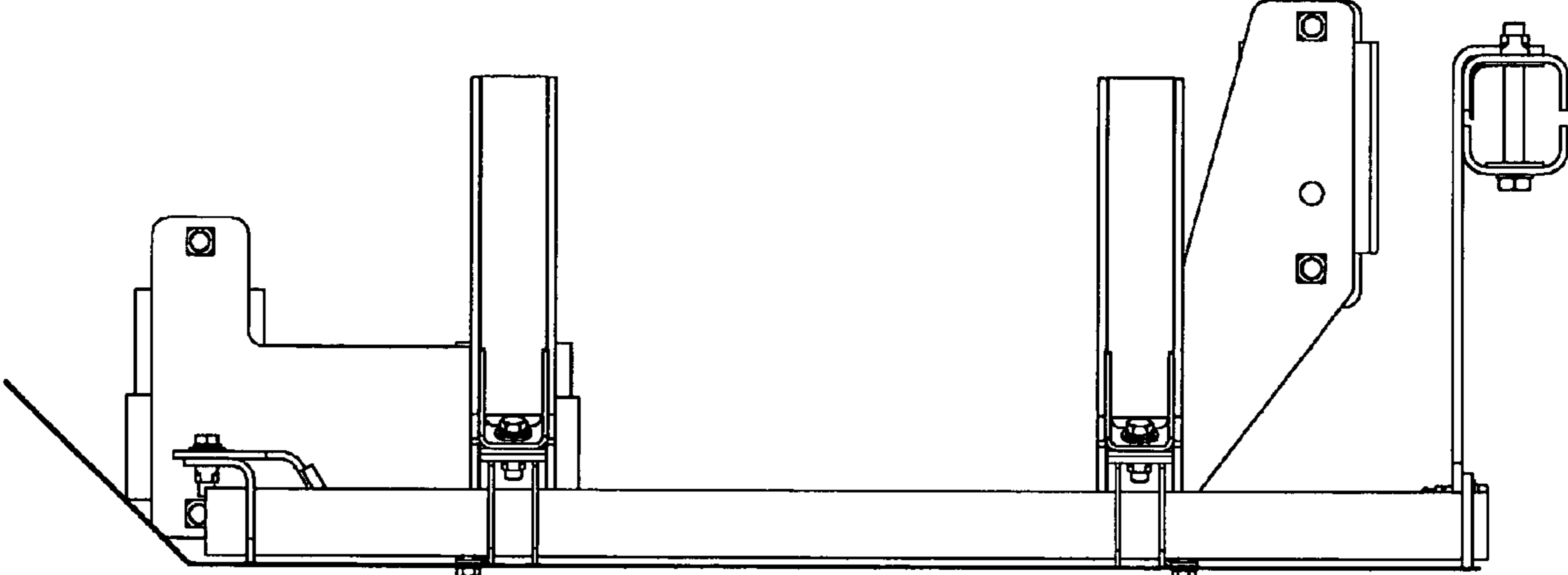


FIG. 2

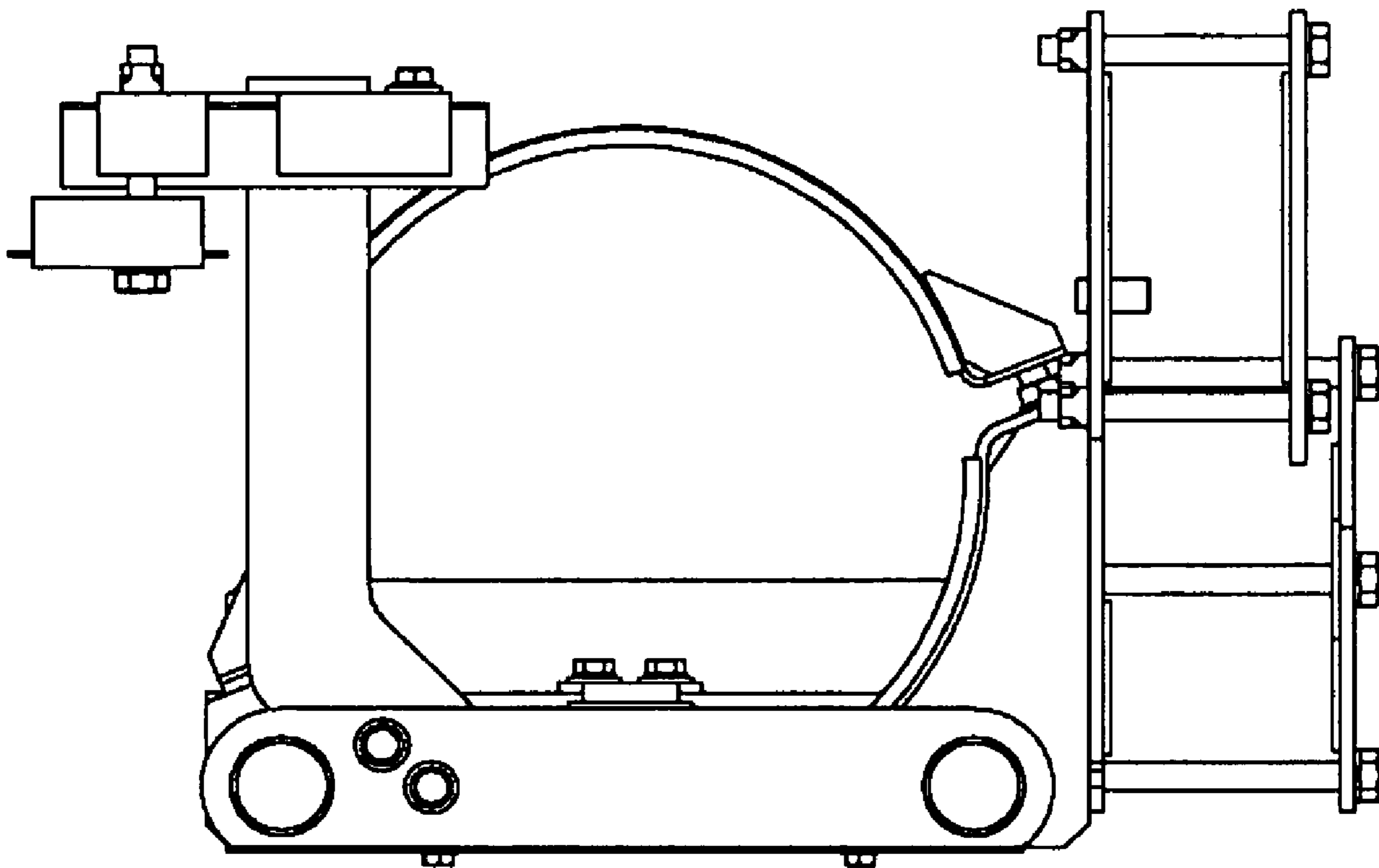


FIG. 3

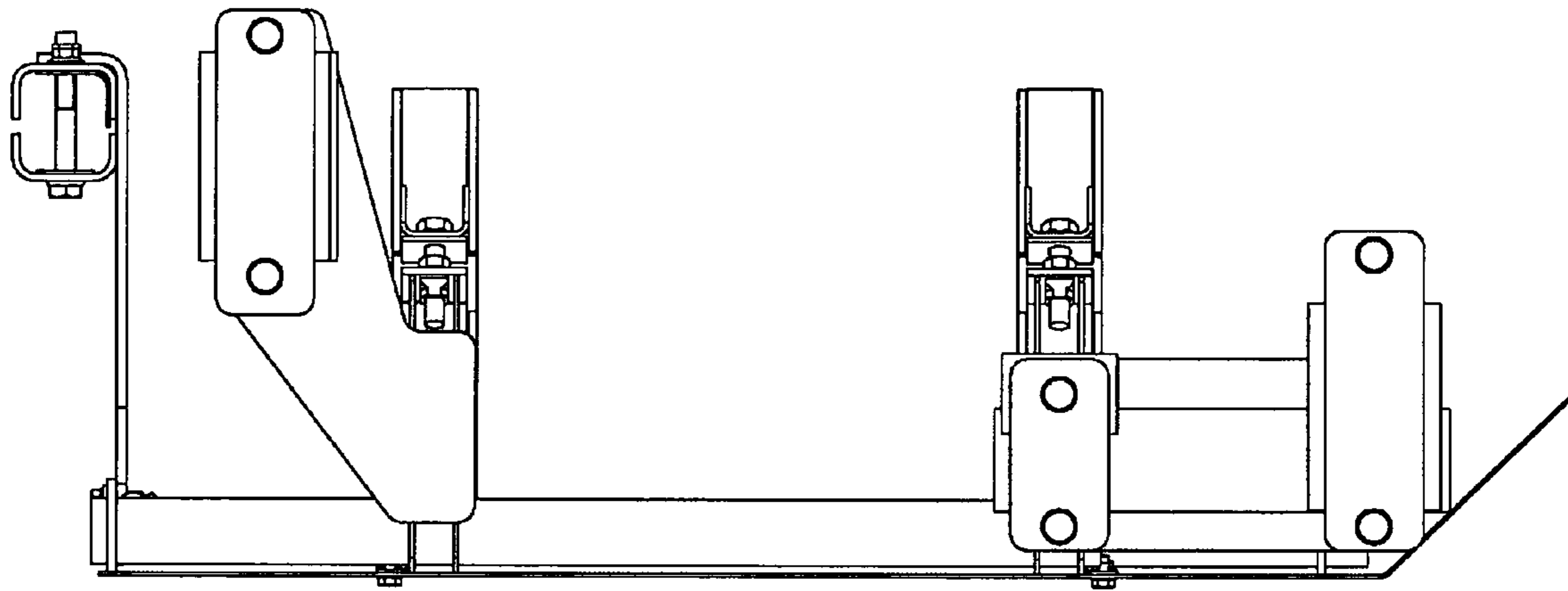


FIG. 4

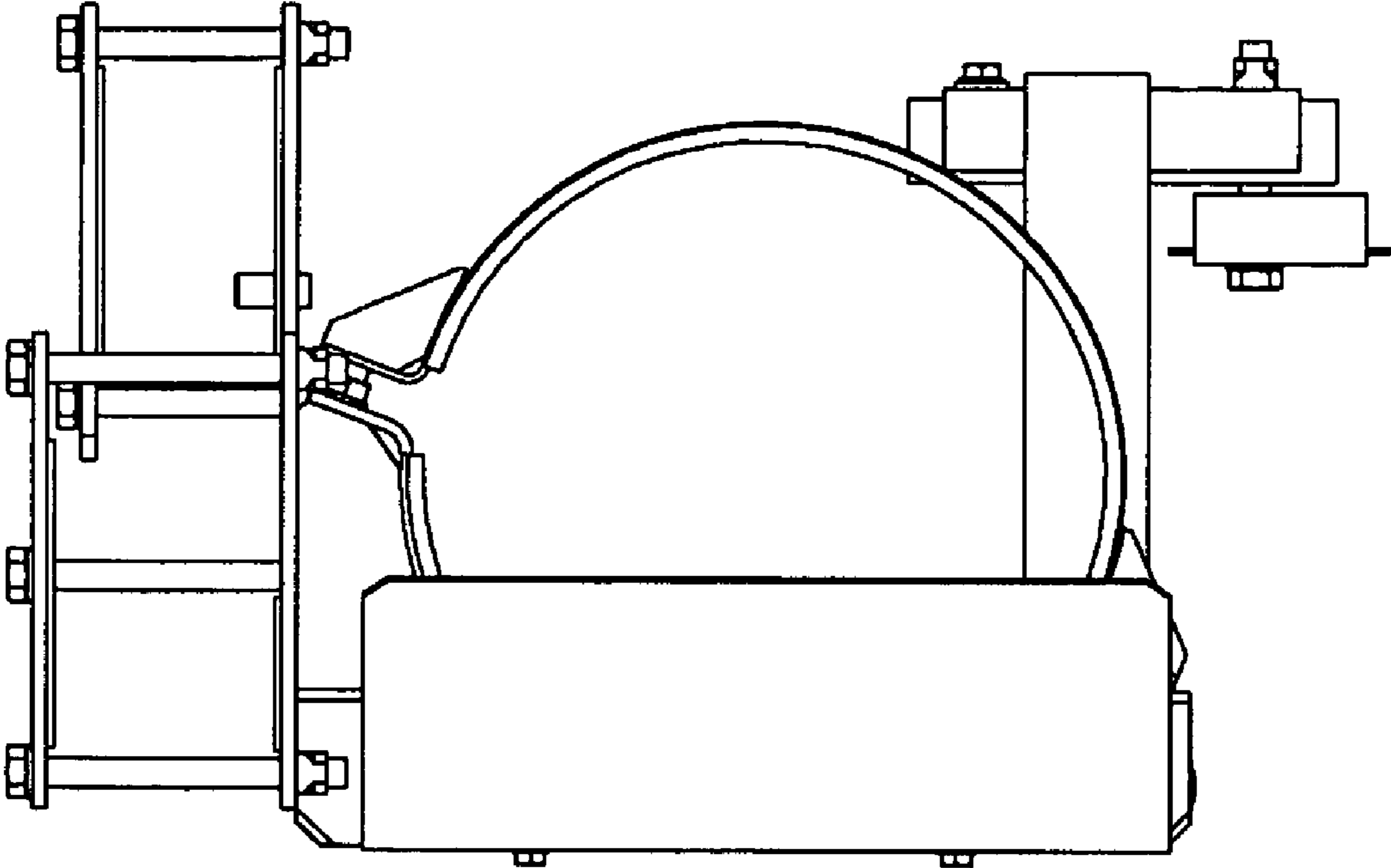


FIG. 5

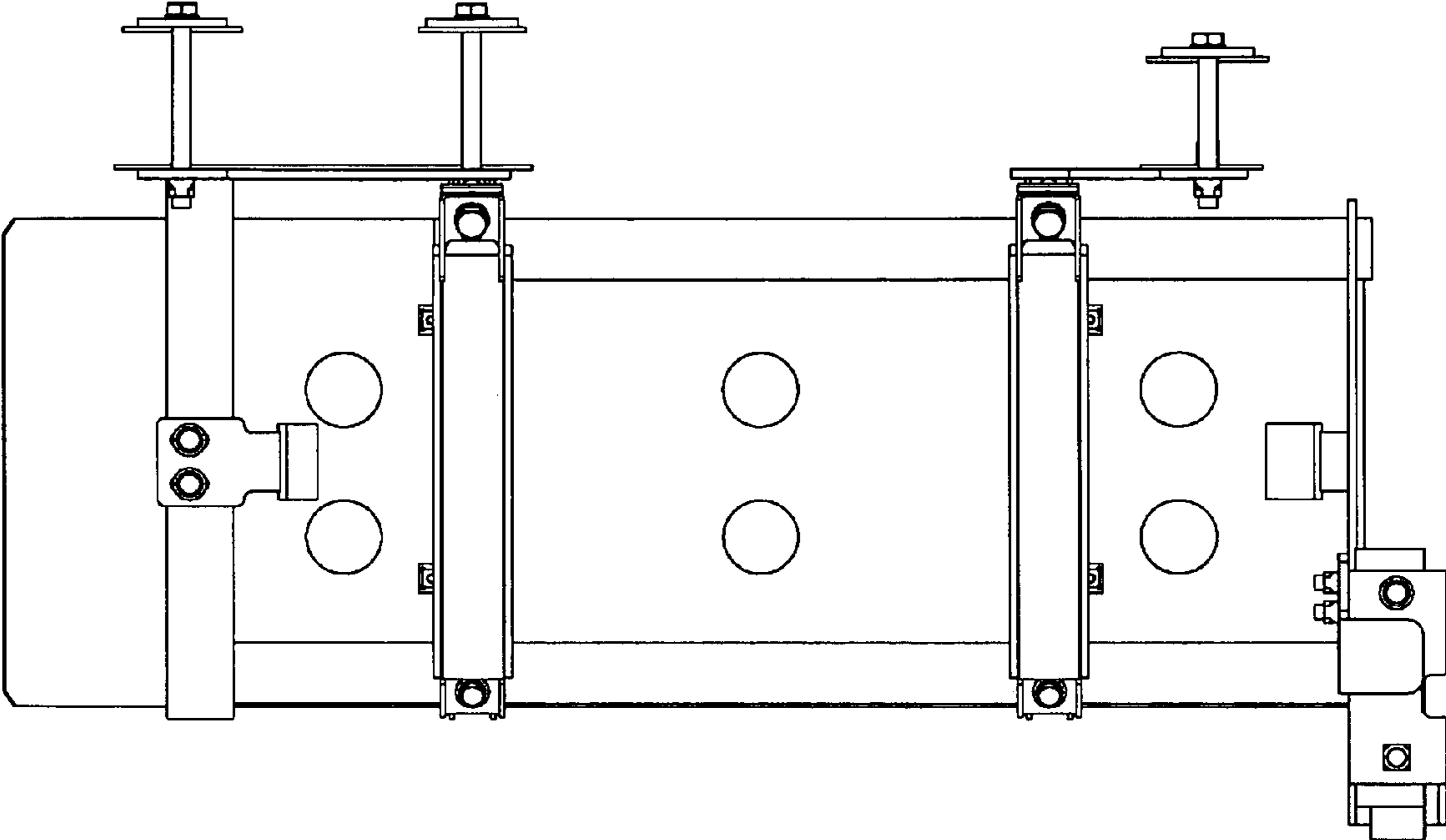


FIG. 6

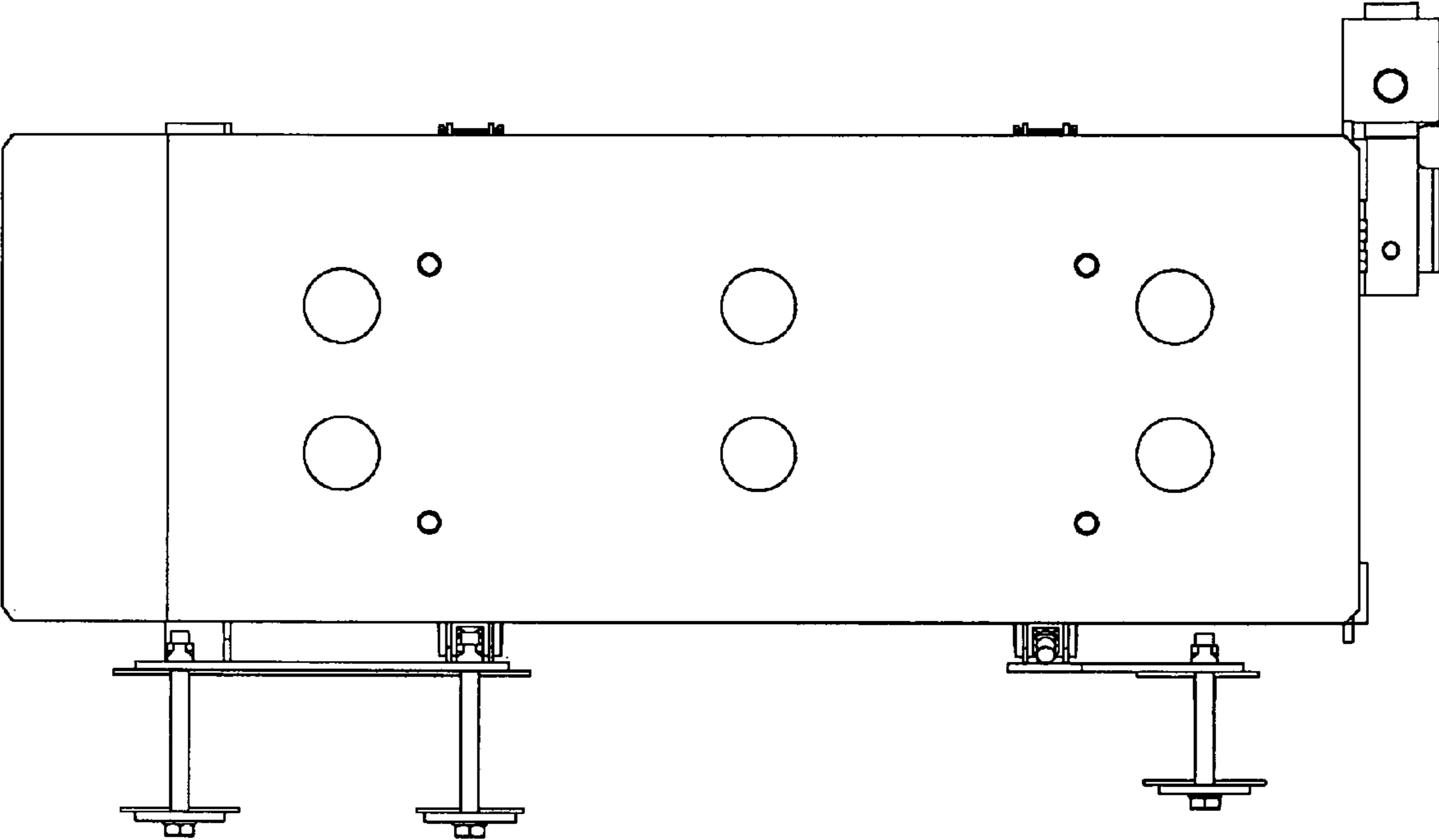


FIG. 7

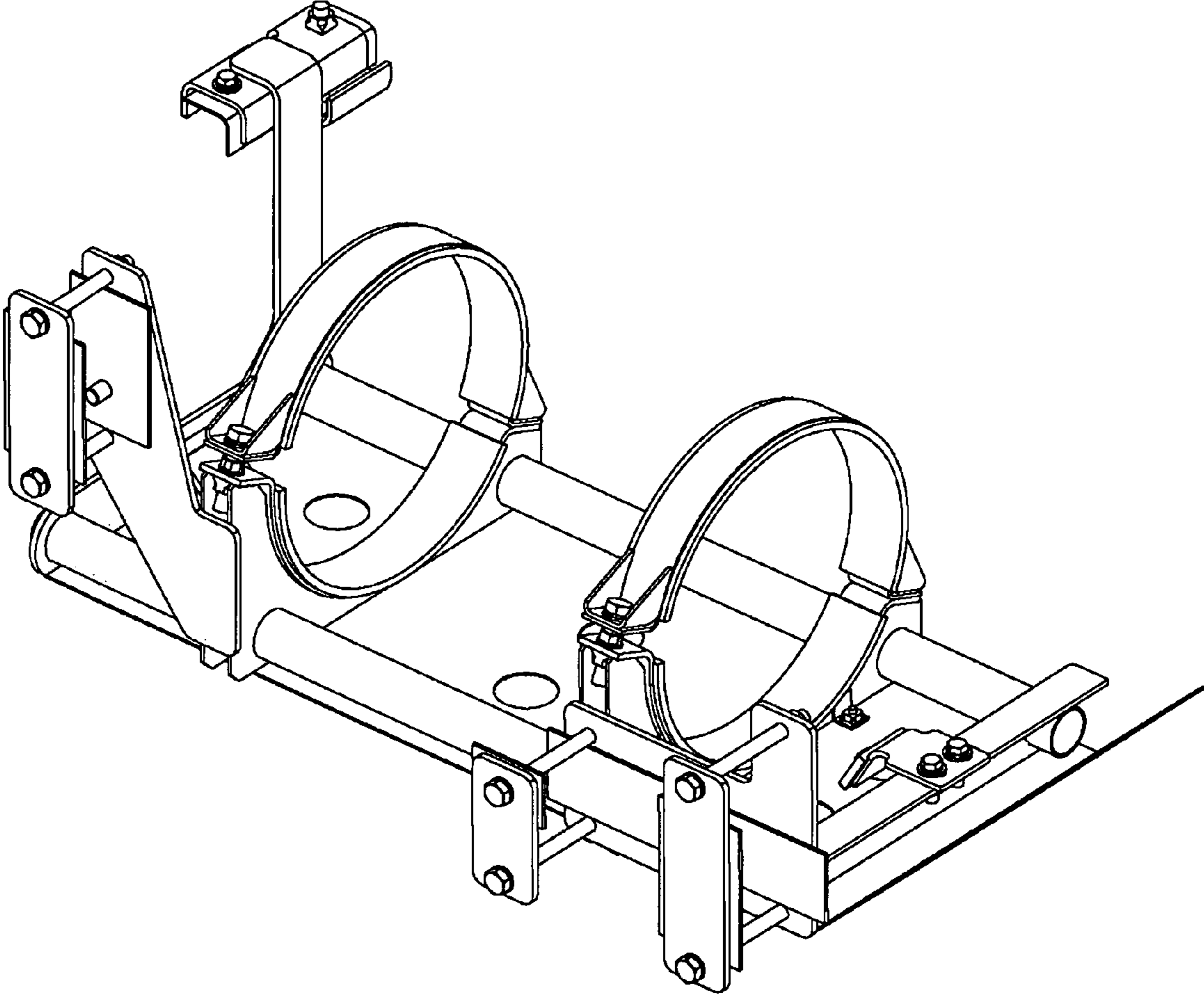


FIG. 8