



US00D646616S

(12) **United States Design Patent**
Scott

(10) **Patent No.:** **US D646,616 S**

(45) **Date of Patent:** **** Oct. 11, 2011**

(54) **TRUCK REAR BODY PROTECTIVE SKIRT**

(76) Inventor: **Henry T. Scott**, Lane, SC (US)

(**) Term: **14 Years**

(21) Appl. No.: **29/386,123**

(22) Filed: **Feb. 24, 2011**

(51) **LOC (9) Cl.** **12-16**

(52) **U.S. Cl.** **D12/401**

(58) **Field of Classification Search** D6/610,
D6/611, 445, 490, 596, 601, 602, 603, 615,
D6/617, 621; D7/306, 307; D12/401-405;
135/87, 88.01, 95; 150/165-167, 158, 154;
280/770; 296/136.01, 136.1, 136.11;
297/218-218.5, 219.1-229

See application file for complete search history.

(56) **References Cited**

U.S. PATENT DOCUMENTS

4,997,227	A	3/1991	Falzone et al.	
D317,293	S *	6/1991	Brisson	D13/133
5,112,098	A *	5/1992	Lichtmann	296/136.07
5,209,545	A	5/1993	Slaugh	
5,435,362	A *	7/1995	Chiang	150/166
5,497,819	A *	3/1996	Chiang	150/166
D375,078	S *	10/1996	Cobb	D12/401
5,788,307	A	8/1998	Gilbert	
5,791,361	A *	8/1998	Chong	135/88.01
D402,621	S *	12/1998	Douglas	D12/401
5,915,399	A *	6/1999	Yang	135/88.01
D417,481	S *	12/1999	Schwartz et al.	D21/836

6,296,279	B1	10/2001	Stoddard et al.	
6,702,344	B2	3/2004	Belli	
D511,132	S *	11/2005	Stover	D12/401
7,100,965	B1 *	9/2006	Stover	296/136.07
D534,026	S *	12/2006	Henderson	D6/601
D621,777	S *	8/2010	Shmul	D12/401

* cited by examiner

Primary Examiner — Caron D Veynar

Assistant Examiner — Katrina Kile

(74) *Attorney, Agent, or Firm* — Crossley Patent Law; Mark A. Crossley

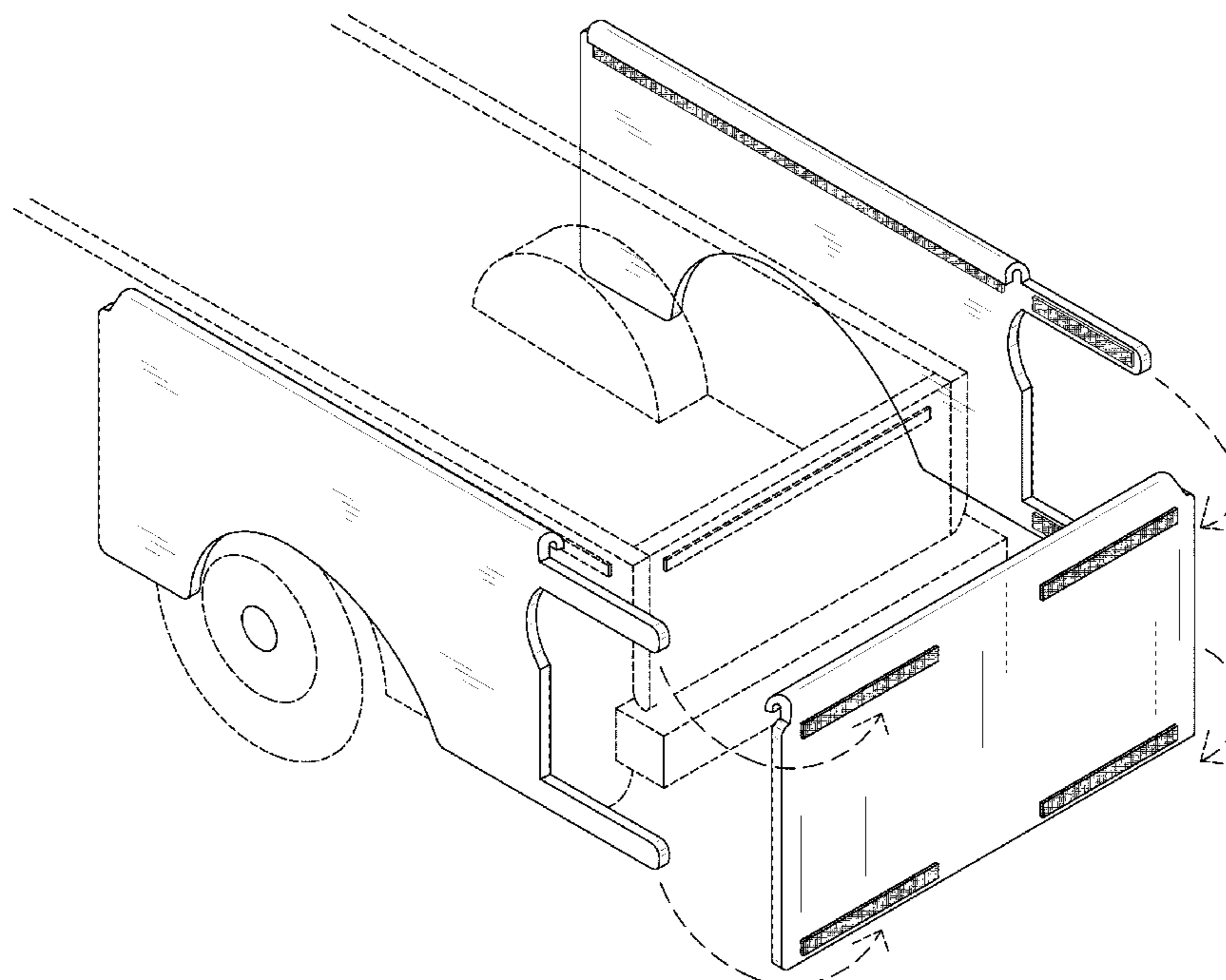
(57) **CLAIM**

The ornamental design for a truck rear body protective skirt, as shown and described.

DESCRIPTION

FIG. 1 is a right elevation view of a truck rear body protective skirt showing my new design with a left panel, a right panel, and a rear panel separated for clarity; FIG. 2 is a left elevation view thereof; FIG. 3 is a front elevation view thereof; FIG. 4 is a rear elevation view thereof; FIG. 5 is a top plan view thereof; FIG. 6 is a bottom plan view thereof; and, FIG. 7 is an isometric view thereof. The broken lines in FIG. 7 depict environmental subject matter only and form no part of the claimed design.

1 Claim, 5 Drawing Sheets



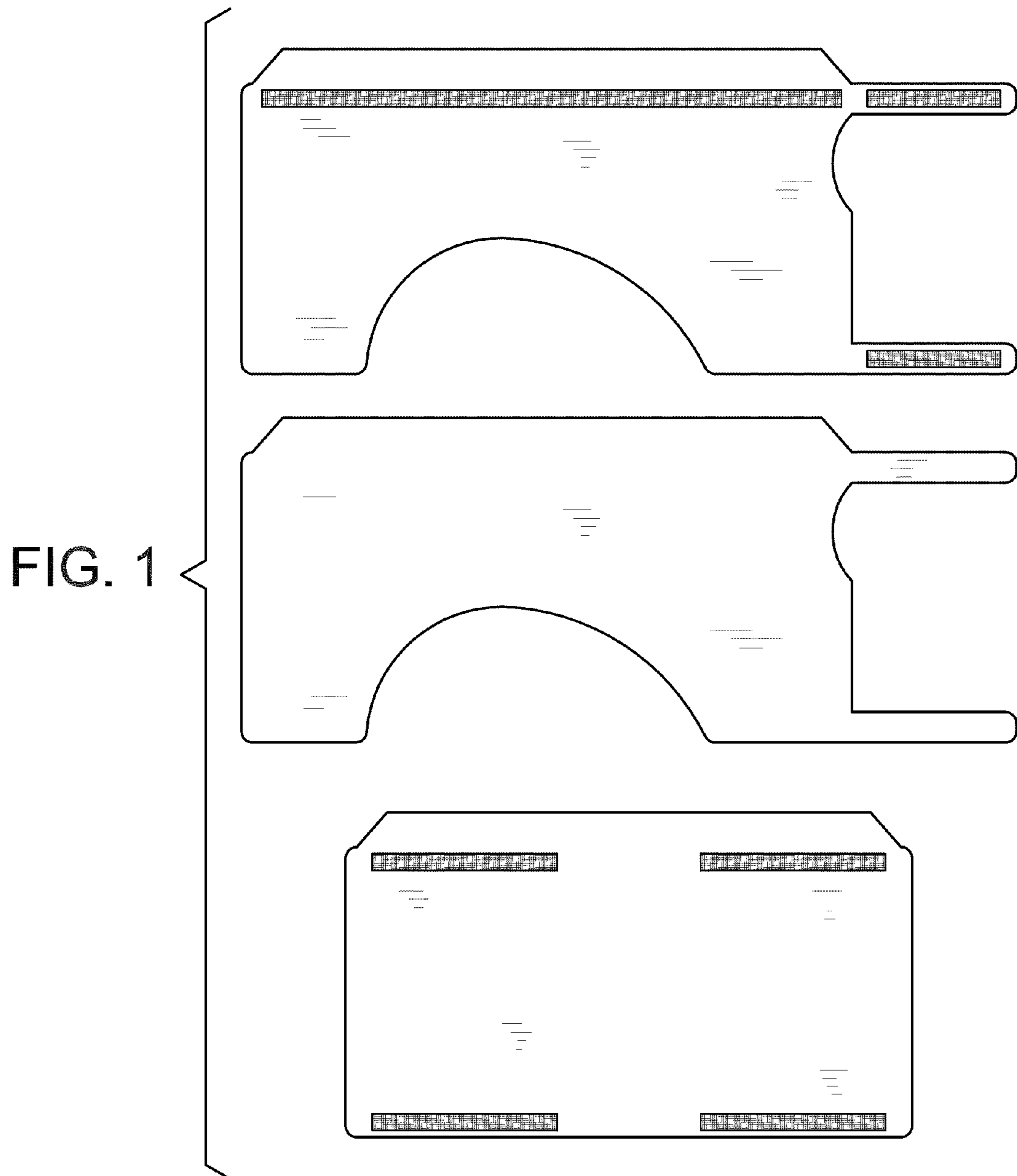


FIG. 2

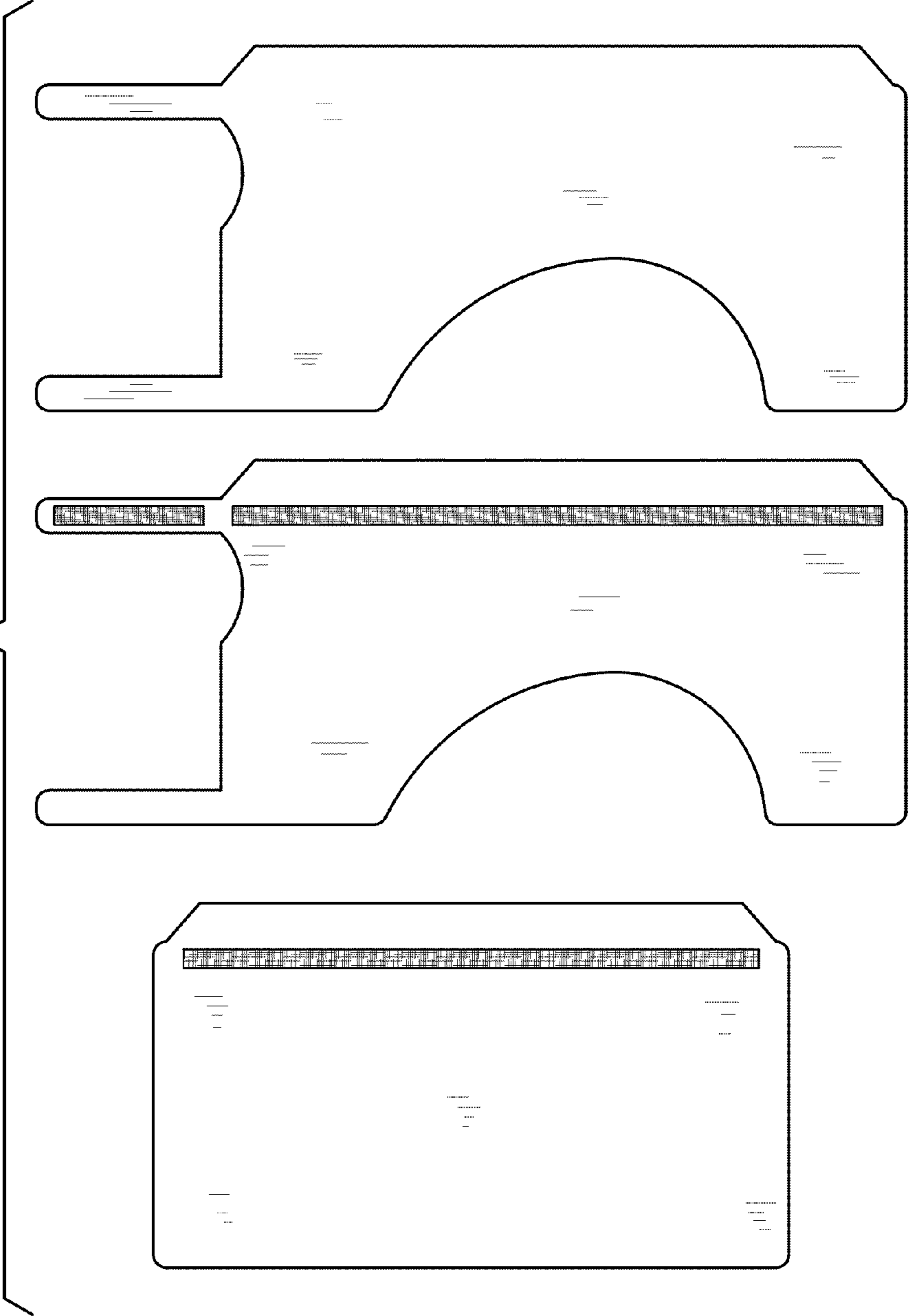


FIG. 3

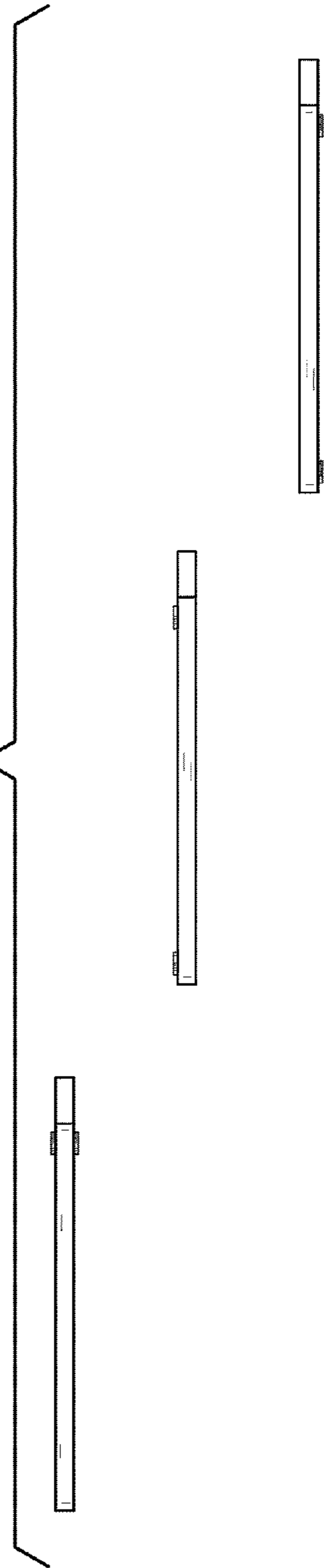
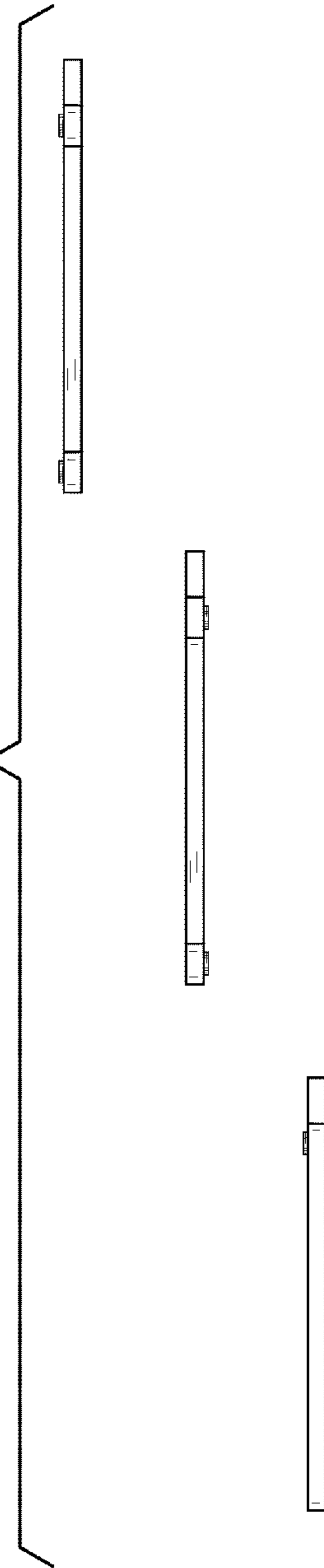
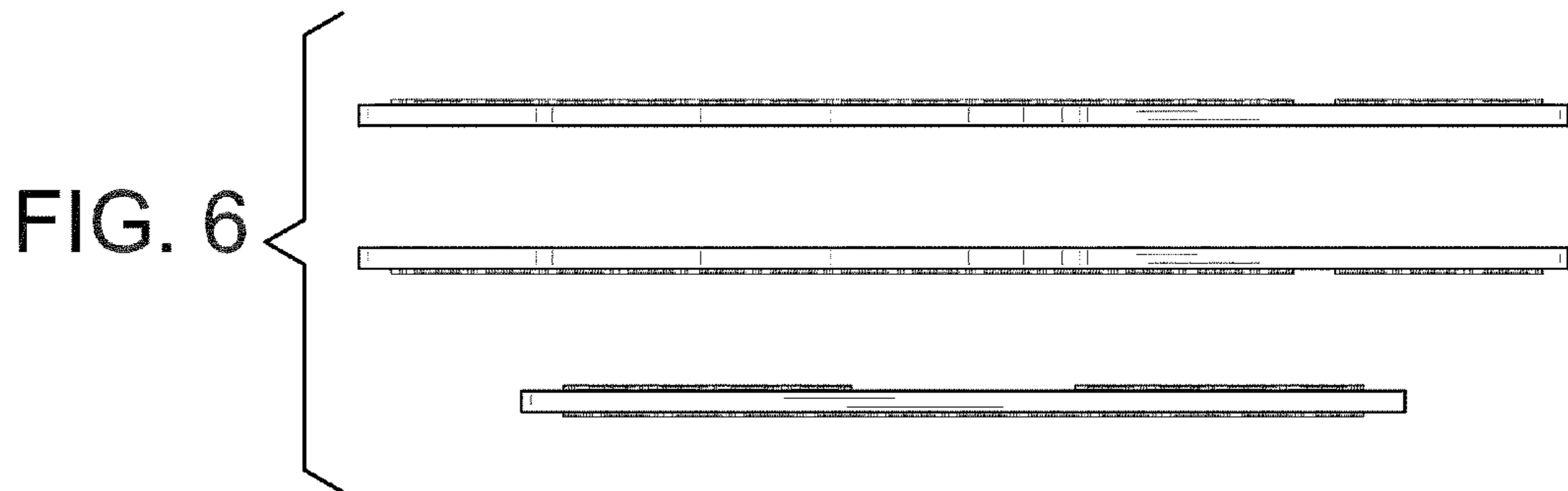
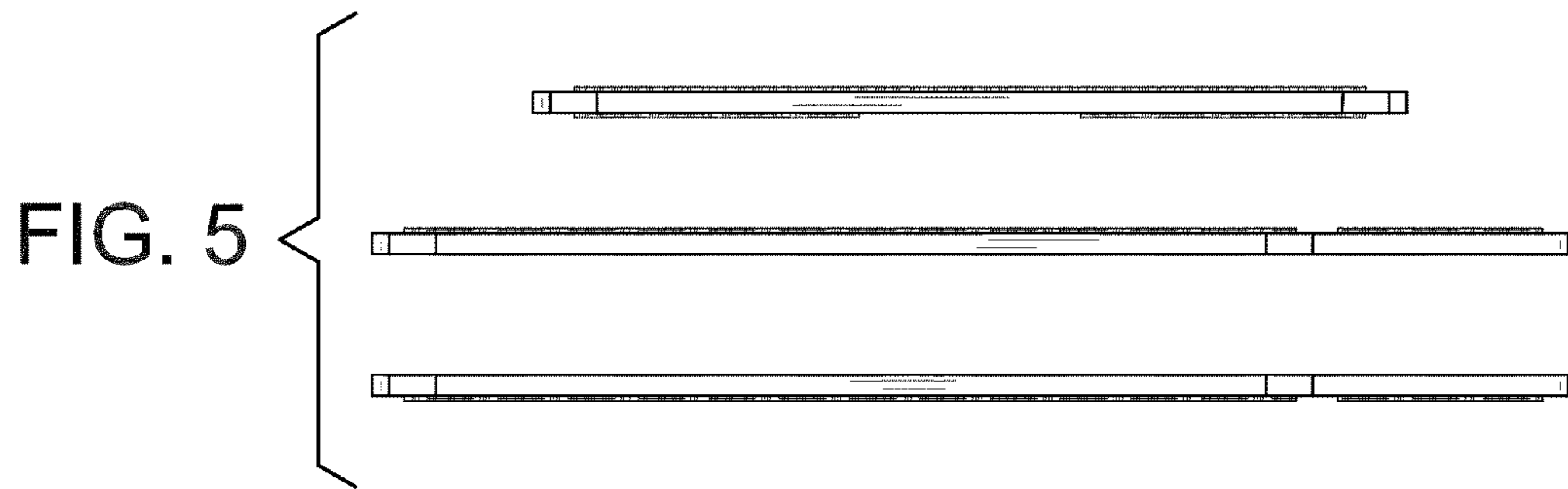


FIG. 4





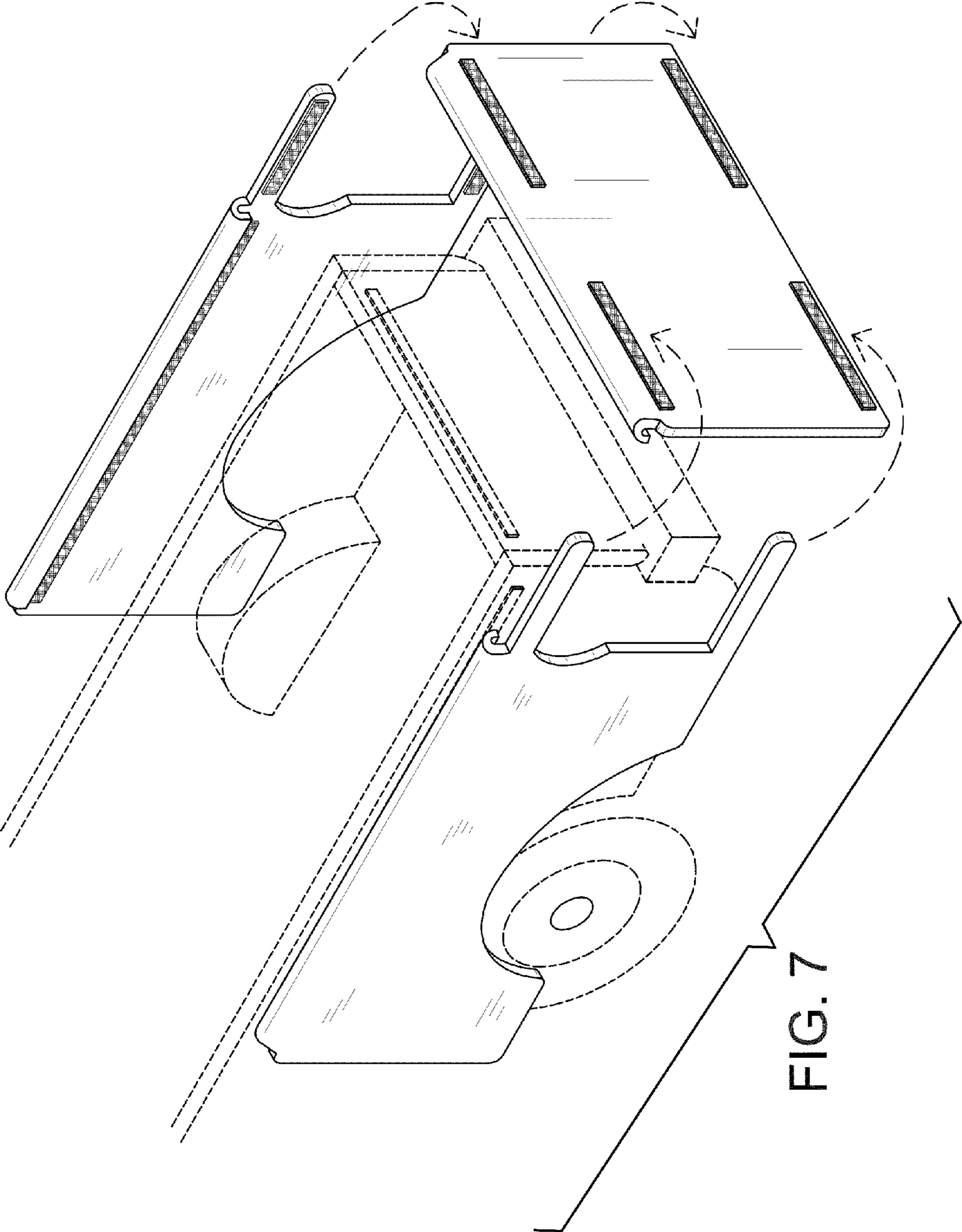


FIG. 7