



US00D646606S

(12) **United States Design Patent**
Kato et al.

(10) **Patent No.:** **US D646,606 S**

(45) **Date of Patent:** **** Oct. 11, 2011**

(54) **AUTOMOBILE AND/OR REPLICA THEREOF**

(56)

References Cited

(75) Inventors: **Chiaki Kato**, Saitama (JP); **Kouichi Sasaki**, Saitama (JP); **Hirotsugu Nogami**, Saitama (JP); **Yoshio Kurahashi**, Saitama (JP)

U.S. PATENT DOCUMENTS

D567,713	S	*	4/2008	Ohishi et al.	D12/91
D599,705	S	*	9/2009	Konaka et al.	D12/91
D622,634	S	*	8/2010	Yamamoto et al.	D12/91
D633,009	S	*	2/2011	Matei et al.	D12/91
D633,823	S	*	3/2011	Matei et al.	D12/91

* cited by examiner

(73) Assignee: **Honda Motor Co., Ltd.**, Tokyo (JP)

Primary Examiner — Melody N Brown

(**) Term: **14 Years**

(74) *Attorney, Agent, or Firm* — Westerman, Hattori, Daniels & Adrian, LLP

(21) Appl. No.: **29/387,974**

(57) **CLAIM**

The ornamental design for, an automobile and/or replica thereof, as shown and described.

(22) Filed: **Mar. 22, 2011**

DESCRIPTION

(30) **Foreign Application Priority Data**

Sep. 30, 2010 (JP) 2010-023482

(51) **LOC (9) Cl.** **12-08**

(52) **U.S. Cl.** **D12/91**

(58) **Field of Classification Search** D12/86,
D12/90-92, 99; D21/424, 433, 434; 296/181.1,
296/181.5

FIG. 1 is a front and right side perspective view of an automobile and/or replica thereof, showing our new design; FIG. 2 is a rear and right side perspective view thereof; FIG. 3 is a front elevation view thereof; FIG. 4 is a rear elevation view thereof; FIG. 5 is a top plan view thereof; and, FIG. 6 is a right side elevation view thereof.

The left side elevation view is a mirror image of the right side elevation view. The broken lines are for illustrative purposes only and form no part of the claimed design.

See application file for complete search history.

1 Claim, 4 Drawing Sheets

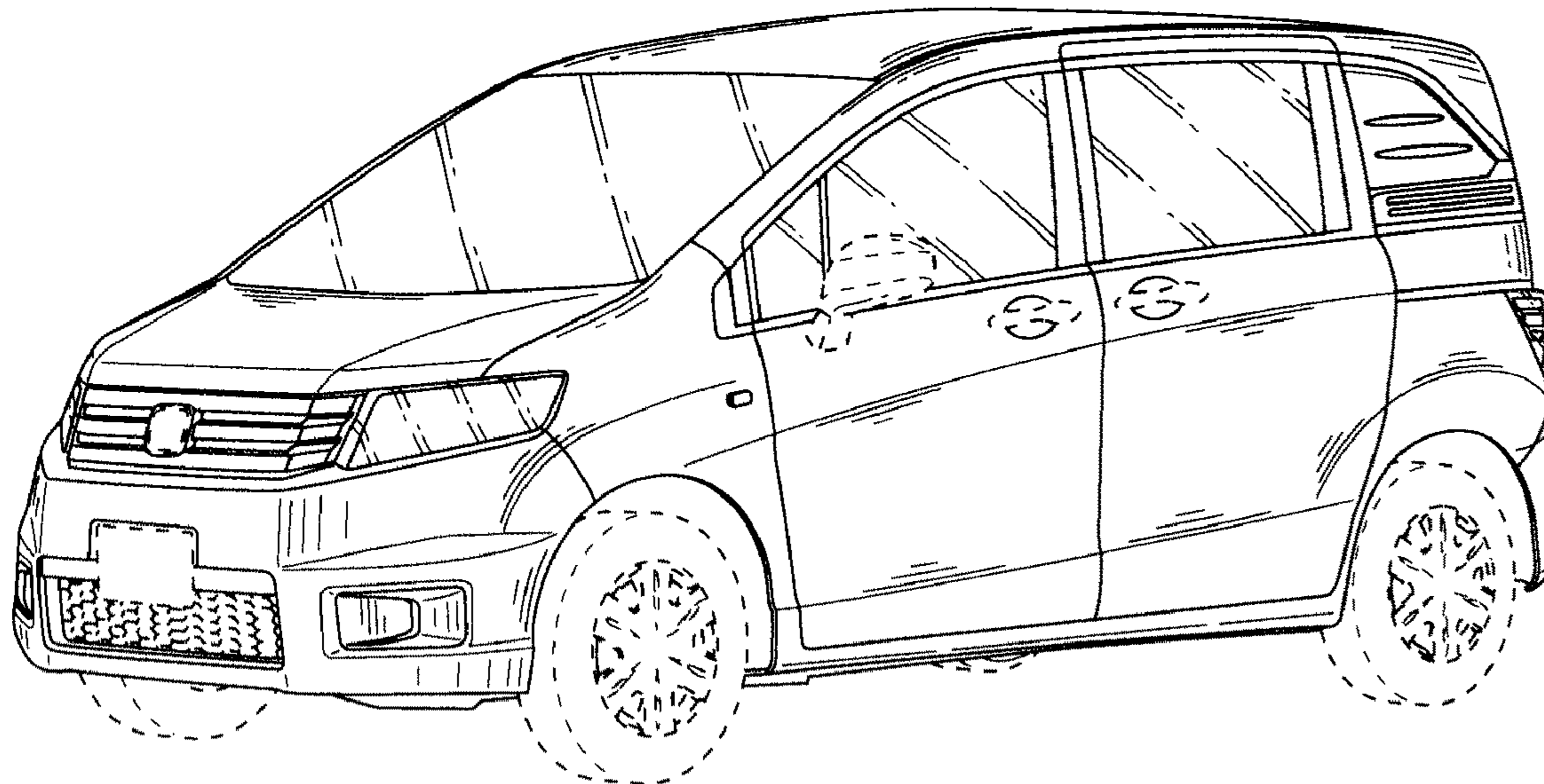


FIG. 1

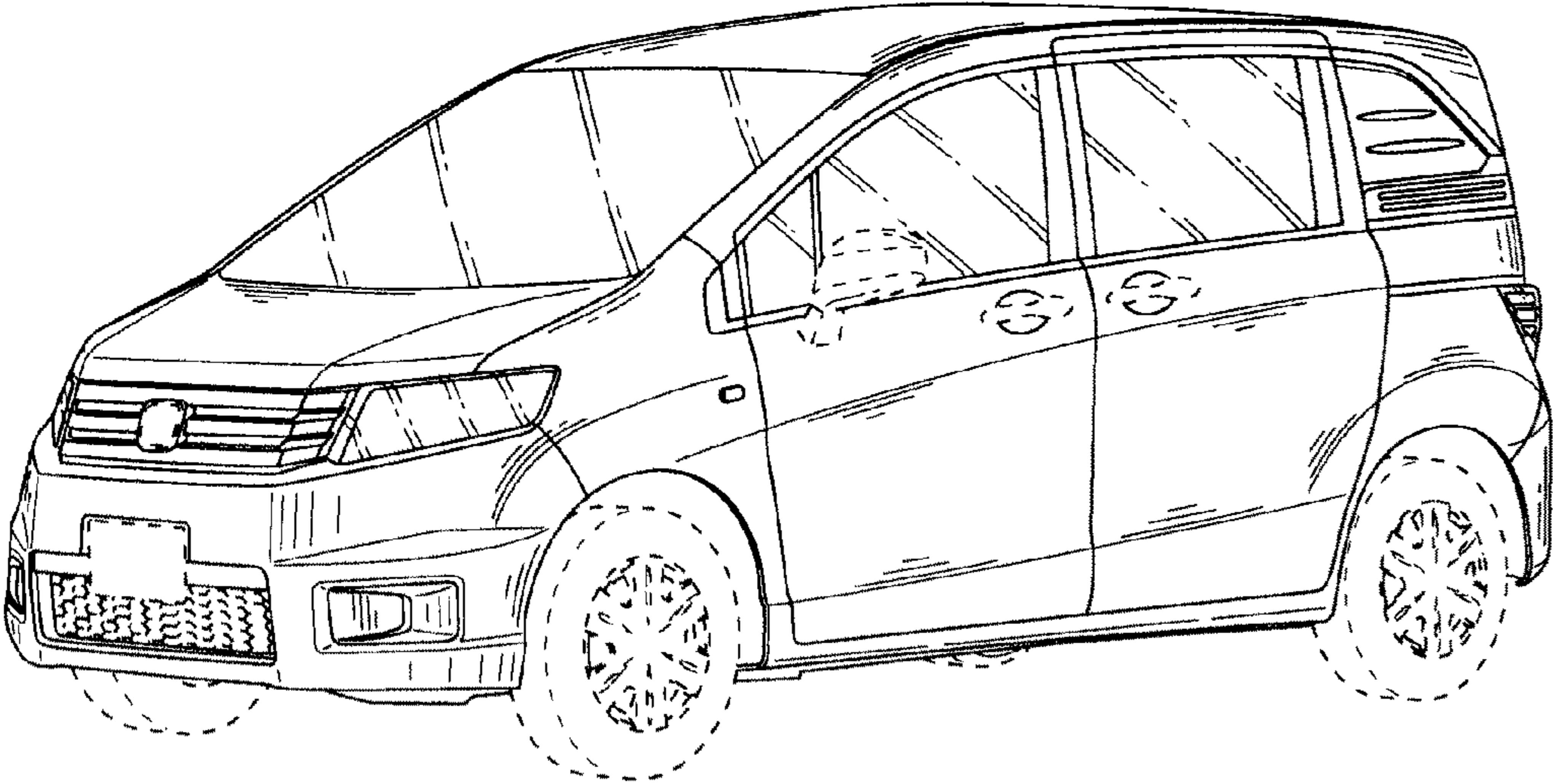


FIG. 2

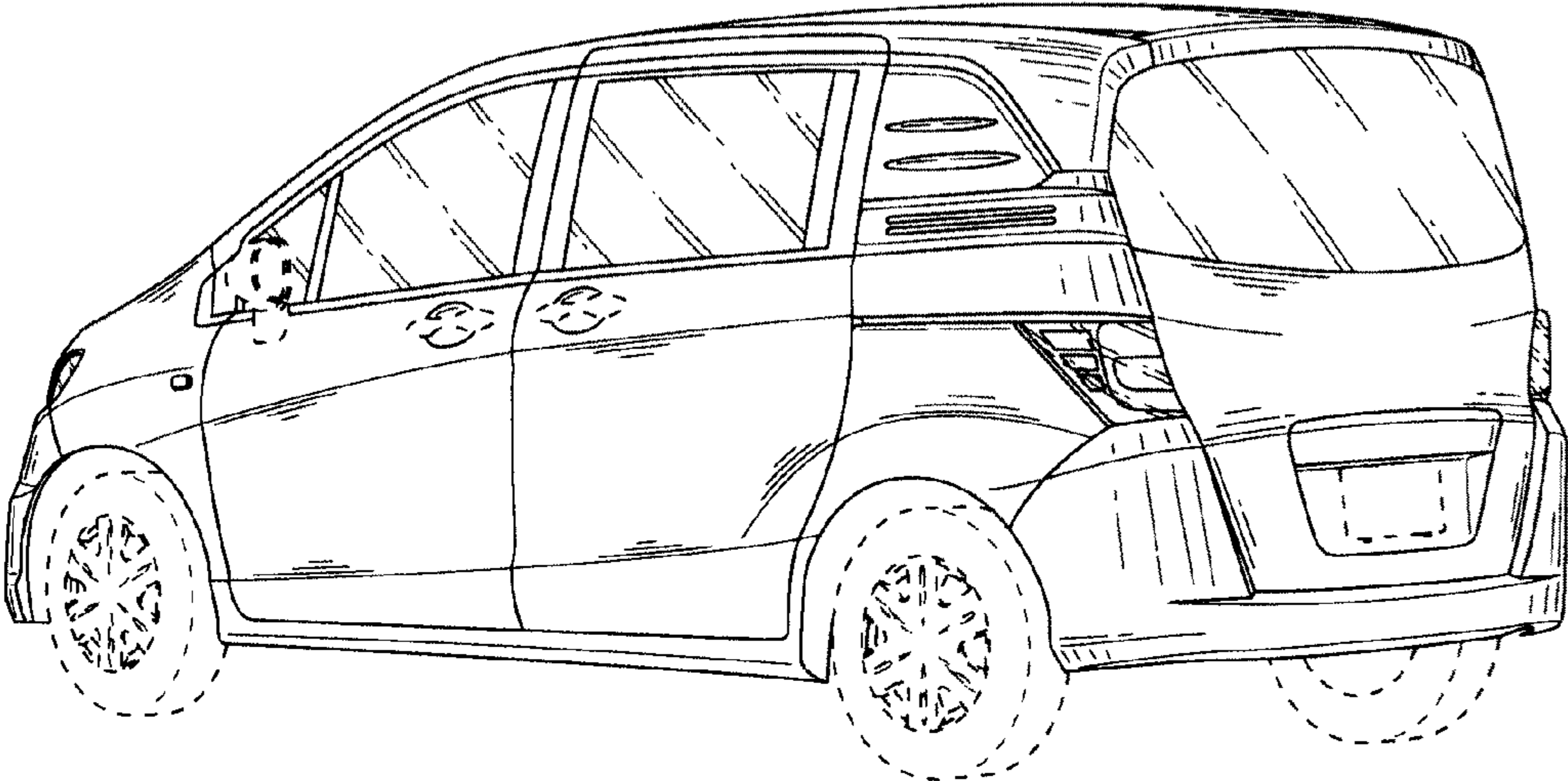


FIG. 3

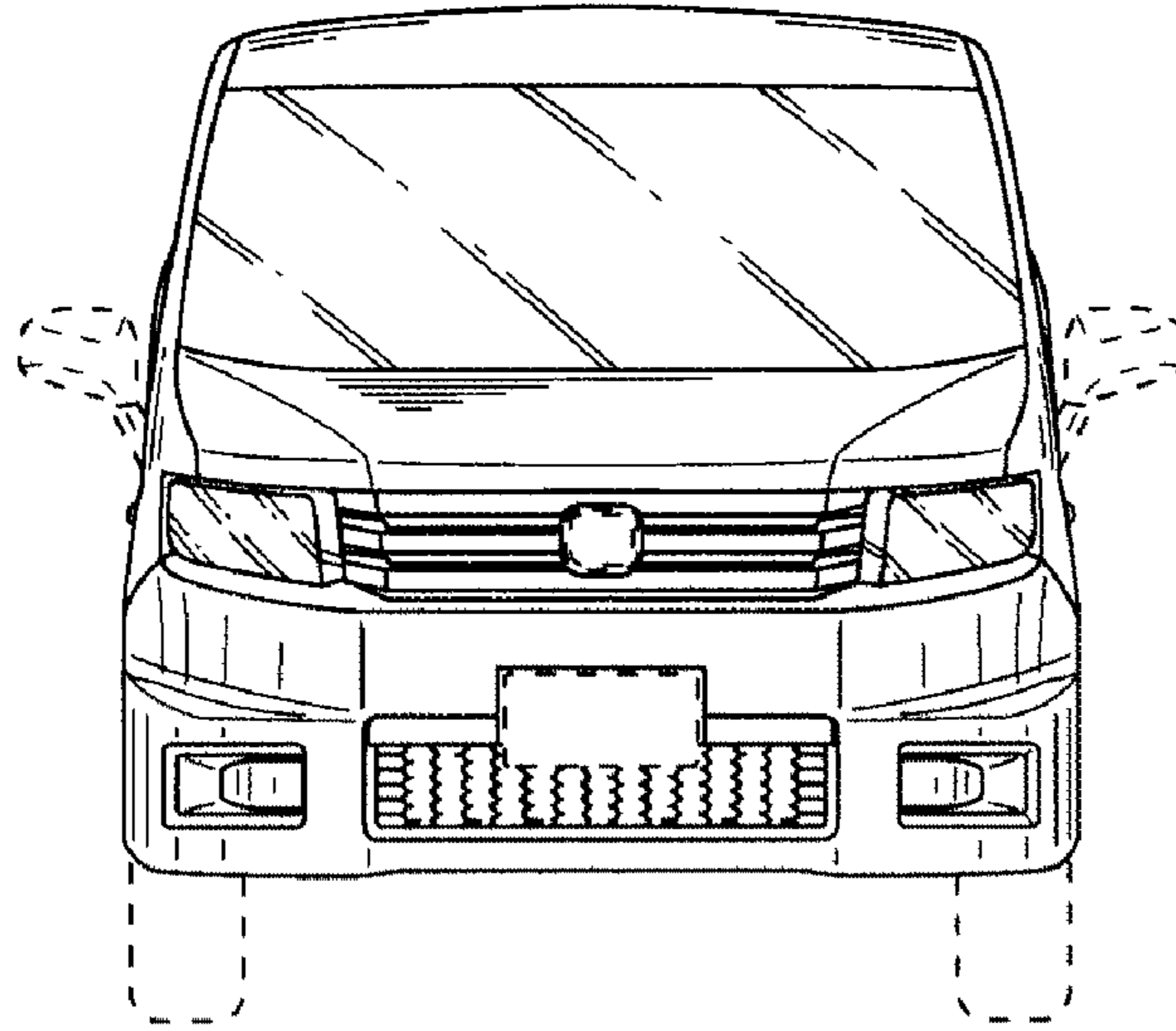


FIG. 4

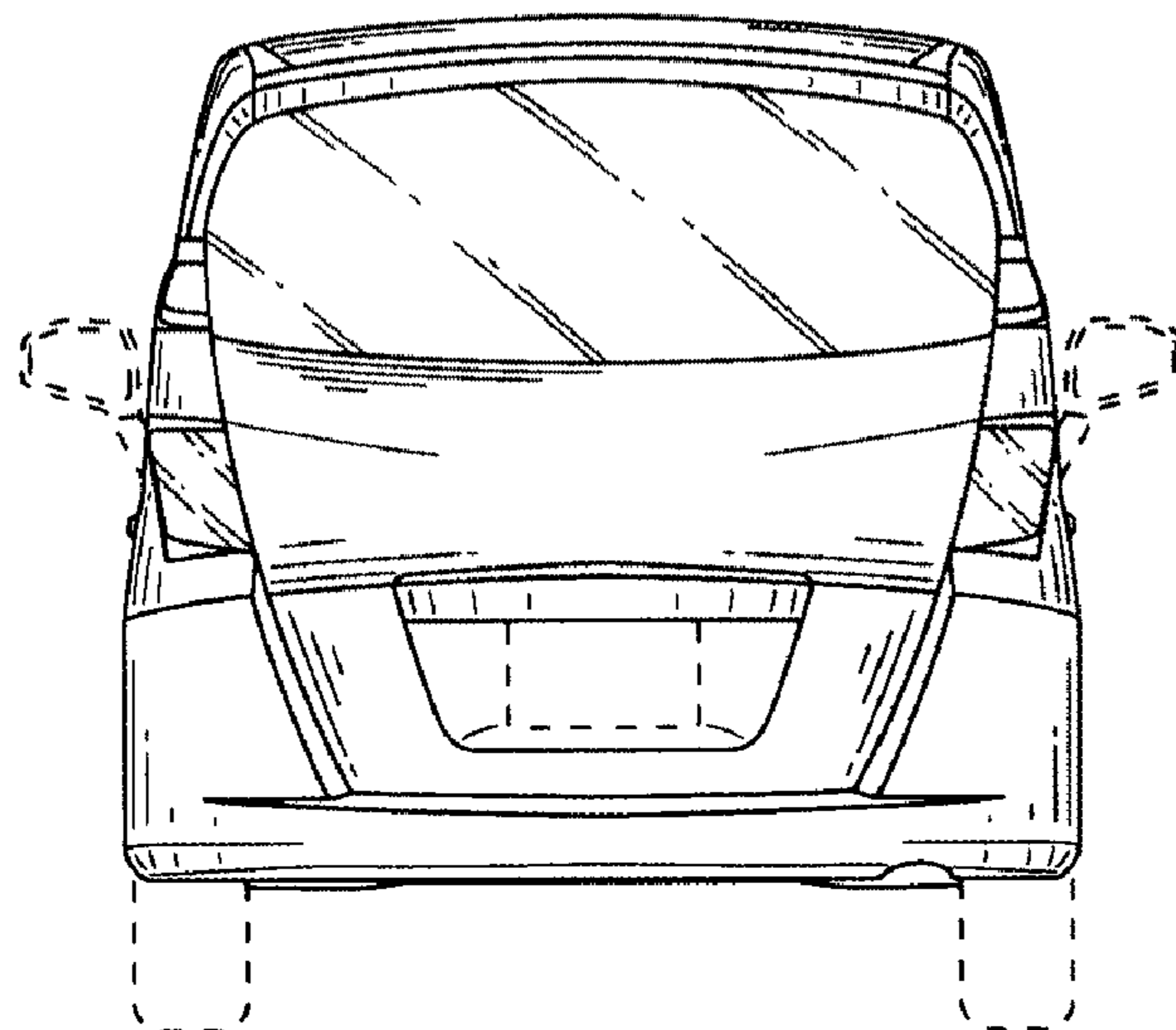


FIG. 5

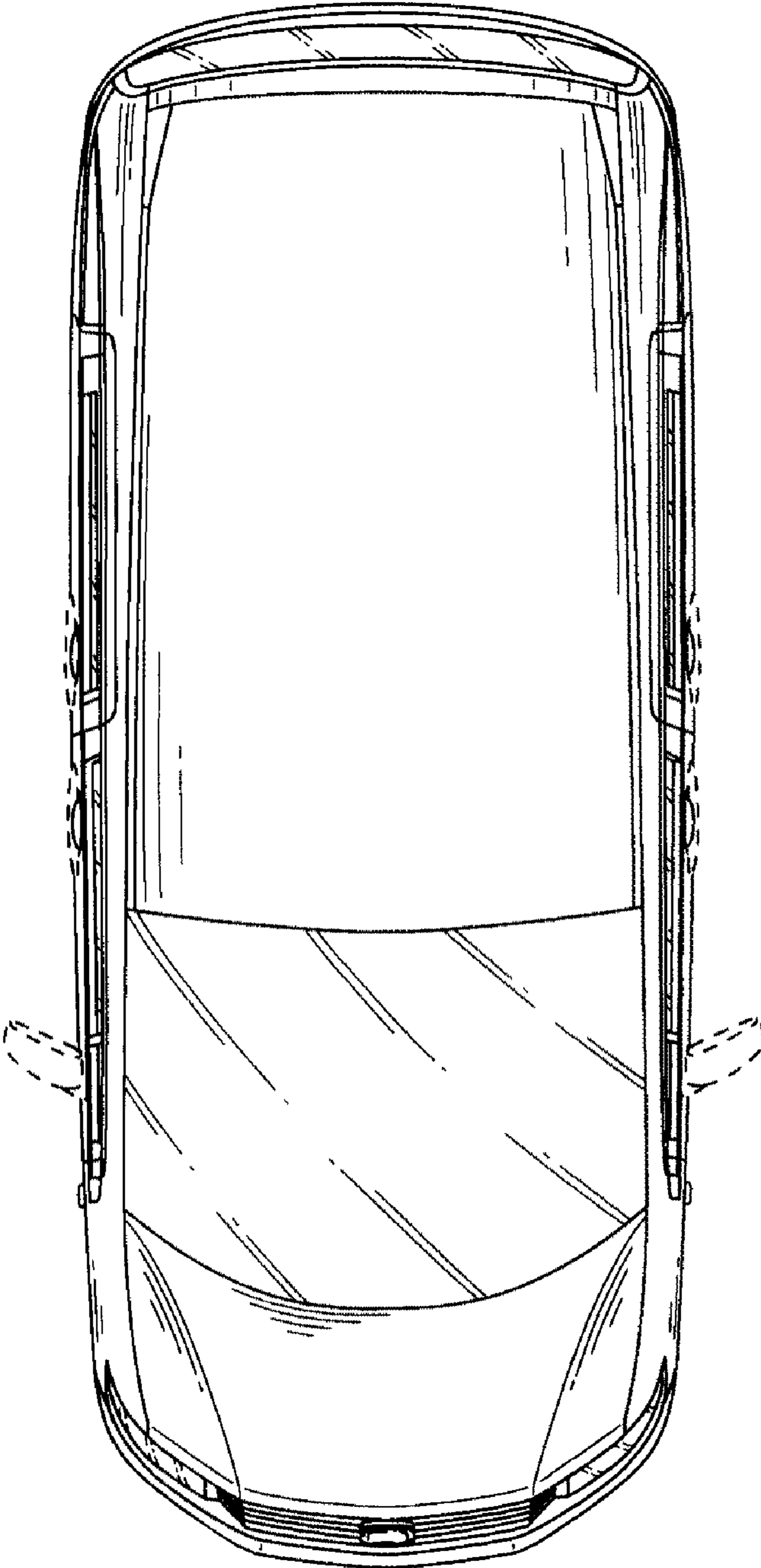


FIG. 6

