



US00D646604S

(12) **United States Design Patent**  
**Zhang**

(10) **Patent No.:** **US D646,604 S**

(45) **Date of Patent:** **\*\* Oct. 11, 2011**

(54) **ELECTRIC VEHICLE**

(75) **Inventor:** **Xue-Qing Zhang**, SuZhou (CN)

(73) **Assignee:** **Suzhou Eagle Electric Vehicle Manufacturing Co., Ltd.**, Suzhou, Jiangsu Province (CN)

(\*\*) **Term:** **14 Years**

(21) **Appl. No.:** **29/383,700**

(22) **Filed:** **Jan. 20, 2011**

(51) **LOC (9) Cl.** ..... **12-02**

(52) **U.S. Cl.** ..... **D12/16; D12/1; D12/14**

(58) **Field of Classification Search** ..... D12/87, D12/86, 1, 433, 15, 16, 107, 82, 88, 89, 90, D12/91, 92, 93, 14; D15/30; D21/803; 180/233, 180/908; 280/DIG. 5, 183, 184, 185, 186, 280/28, 37.7

See application file for complete search history.

(56) **References Cited**

**U.S. PATENT DOCUMENTS**

D421,411	S	*	3/2000	Molzon et al.	.....	D12/82
D503,905	S	*	4/2005	Saito et al.	.....	D12/1
7,287,779	B2	*	10/2007	Miller	.....	280/781
D589,397	S	*	3/2009	Tuo	.....	D12/1
D610,037	S	*	2/2010	Zhang et al.	.....	D12/1

D613,642	S	*	4/2010	Zhang	.....	D12/1
D613,643	S	*	4/2010	Zhang	.....	D12/1
D613,644	S	*	4/2010	Zhang	.....	D12/1
D617,681	S	*	6/2010	Tuo	.....	D12/16
D625,660	S	*	10/2010	Houston et al.	.....	D12/16

\* cited by examiner

*Primary Examiner* — T. Chase Nelson

*Assistant Examiner* — Ania Dworzecka

(74) *Attorney, Agent, or Firm* — Cheng-Ju Chiang

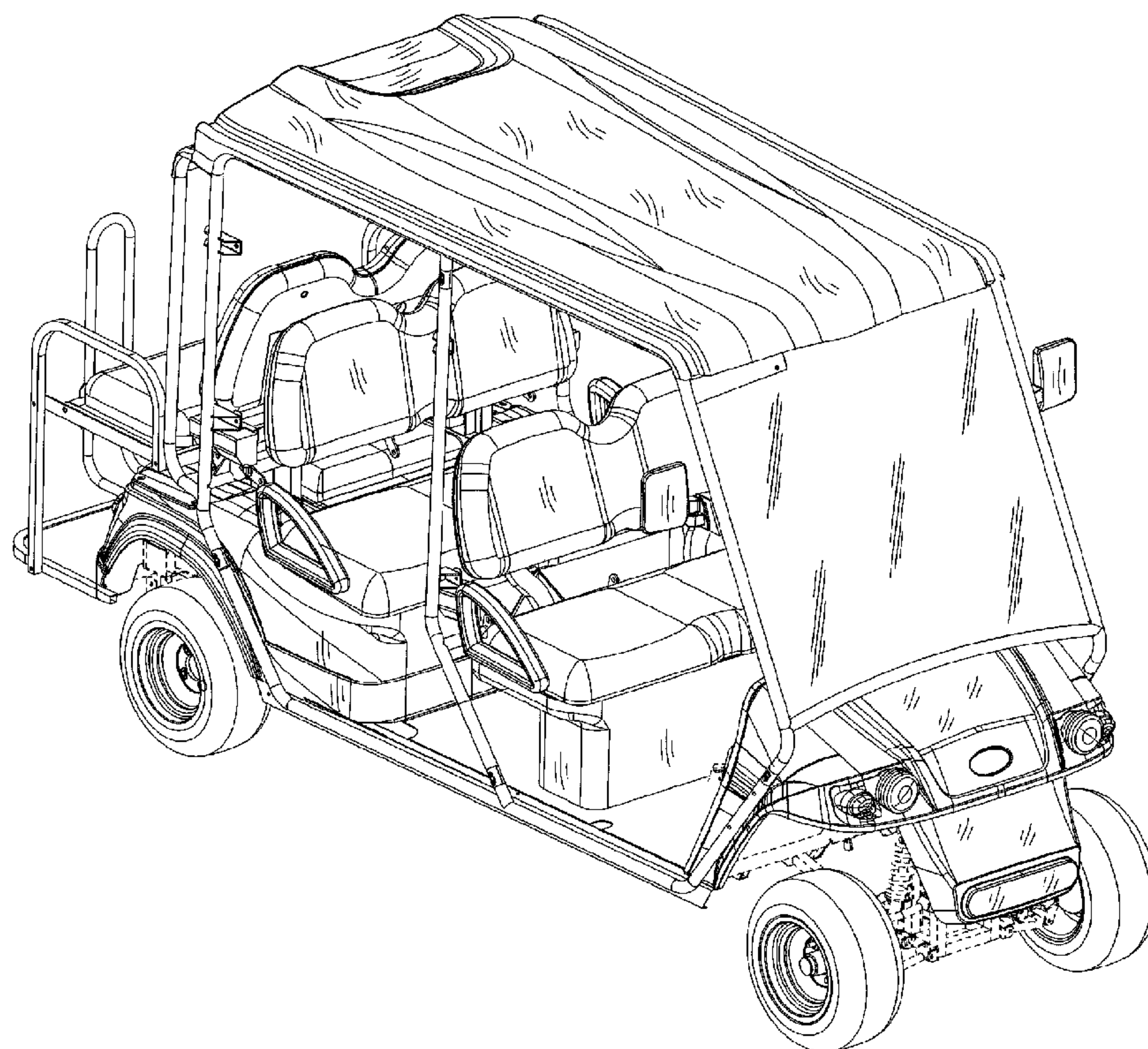
(57) **CLAIM**

The ornamental design for an electric vehicle, as shown and described.

**DESCRIPTION**

FIG. 1 is a top, front and left side perspective view of an electric vehicle showing my new design; FIG. 2 is a front elevation view thereof; FIG. 3 is a rear elevation view thereof; FIG. 4 is a left side elevation view thereof; FIG. 5 is a right side elevation view thereof; FIG. 6 is a top plan view thereof; and, FIG. 7 is a top, rear and right side perspective view thereof. The bottom has no claimed ornamental features. The broken lines showing of elements in the figures are for the purpose of illustrating environment and form no part of the claimed design.

**1 Claim, 7 Drawing Sheets**



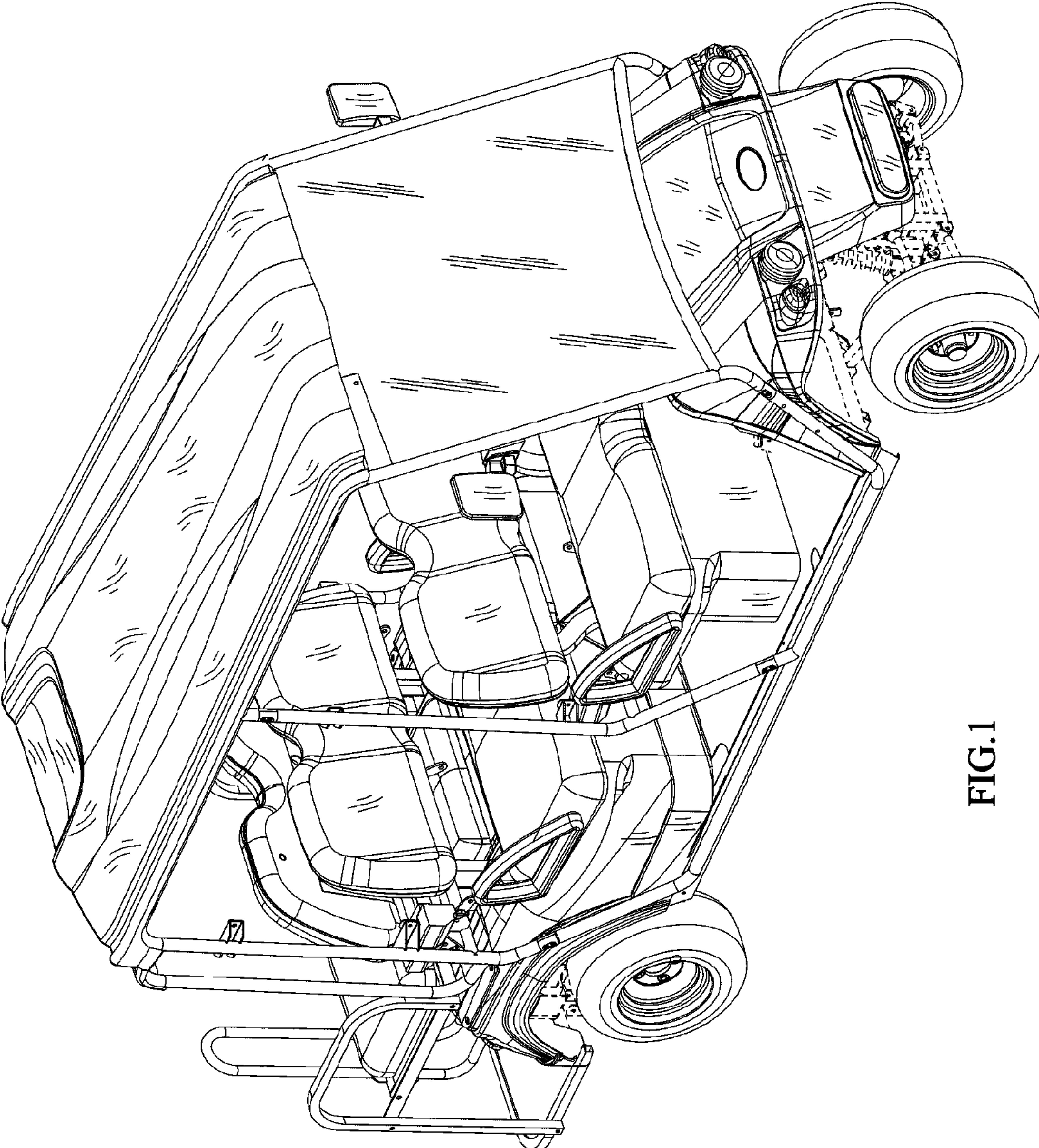


FIG.1



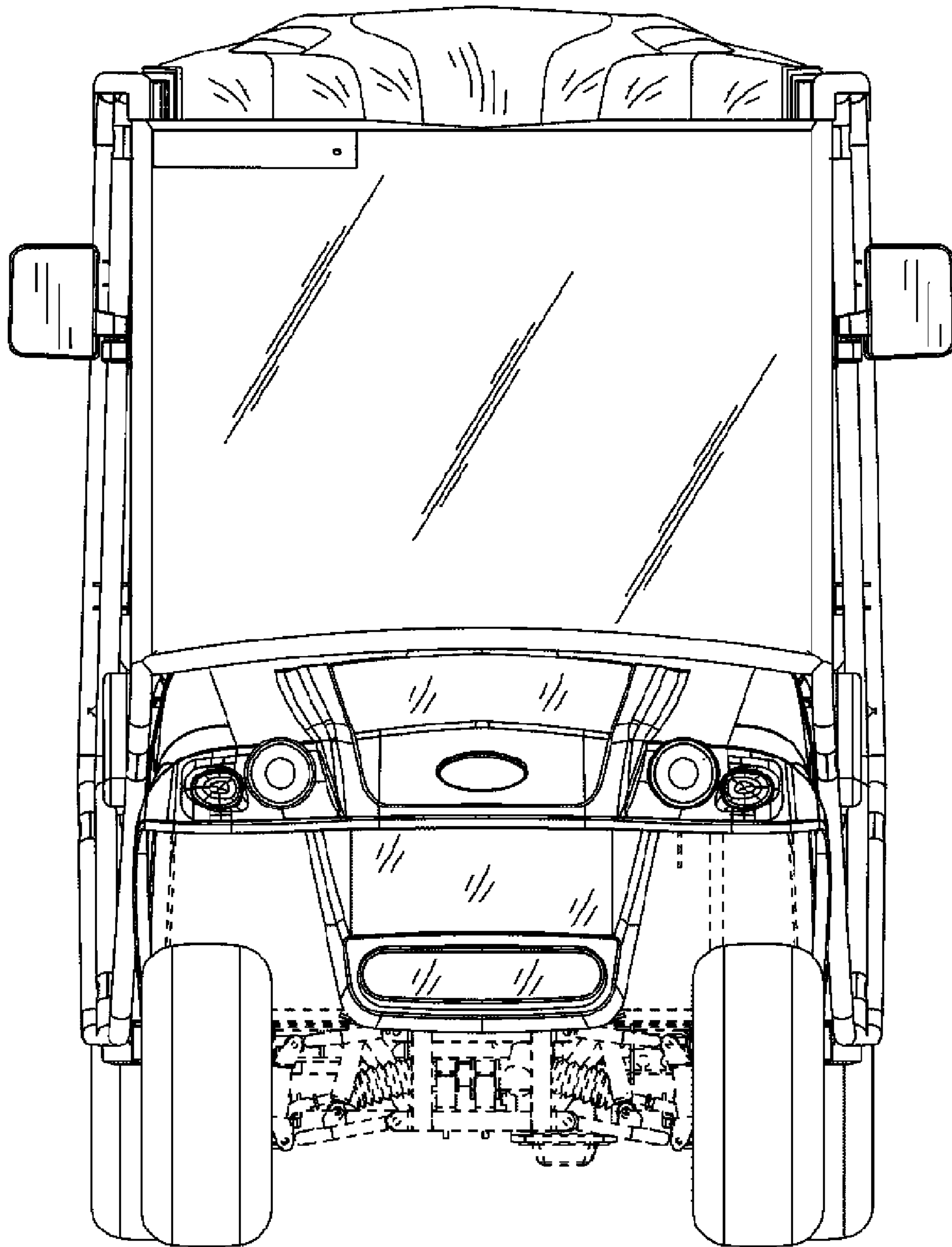


FIG.2

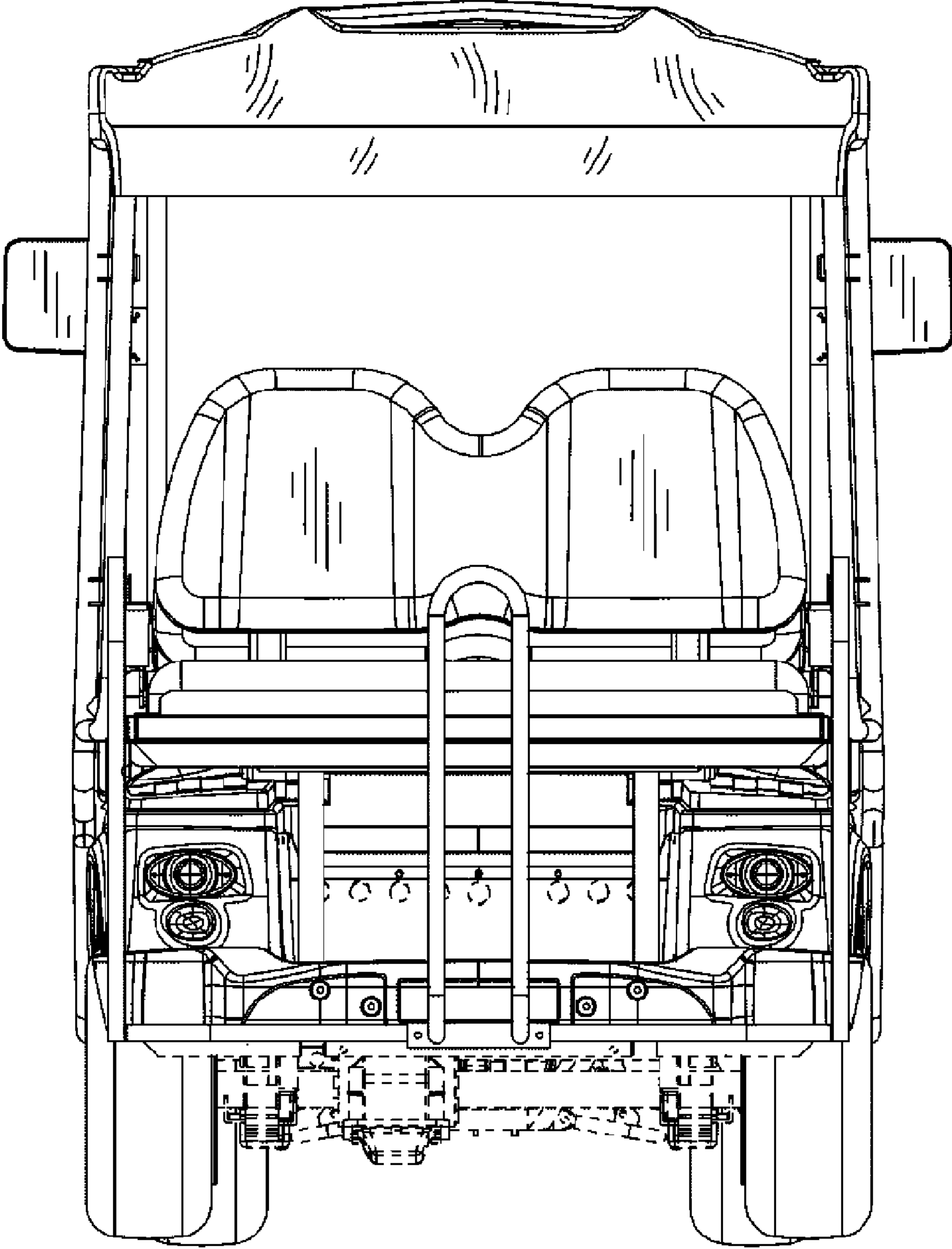


FIG.3

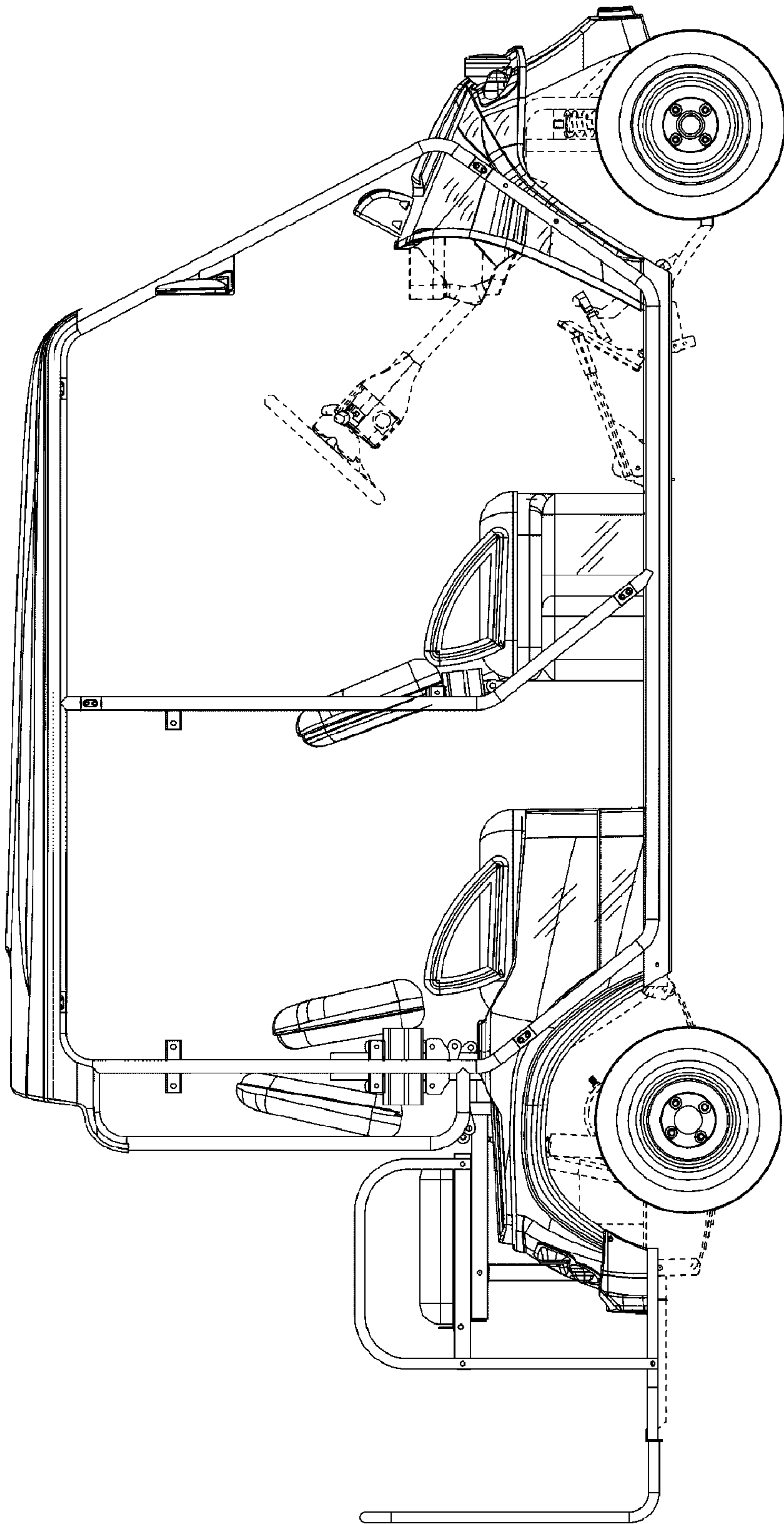


FIG.4

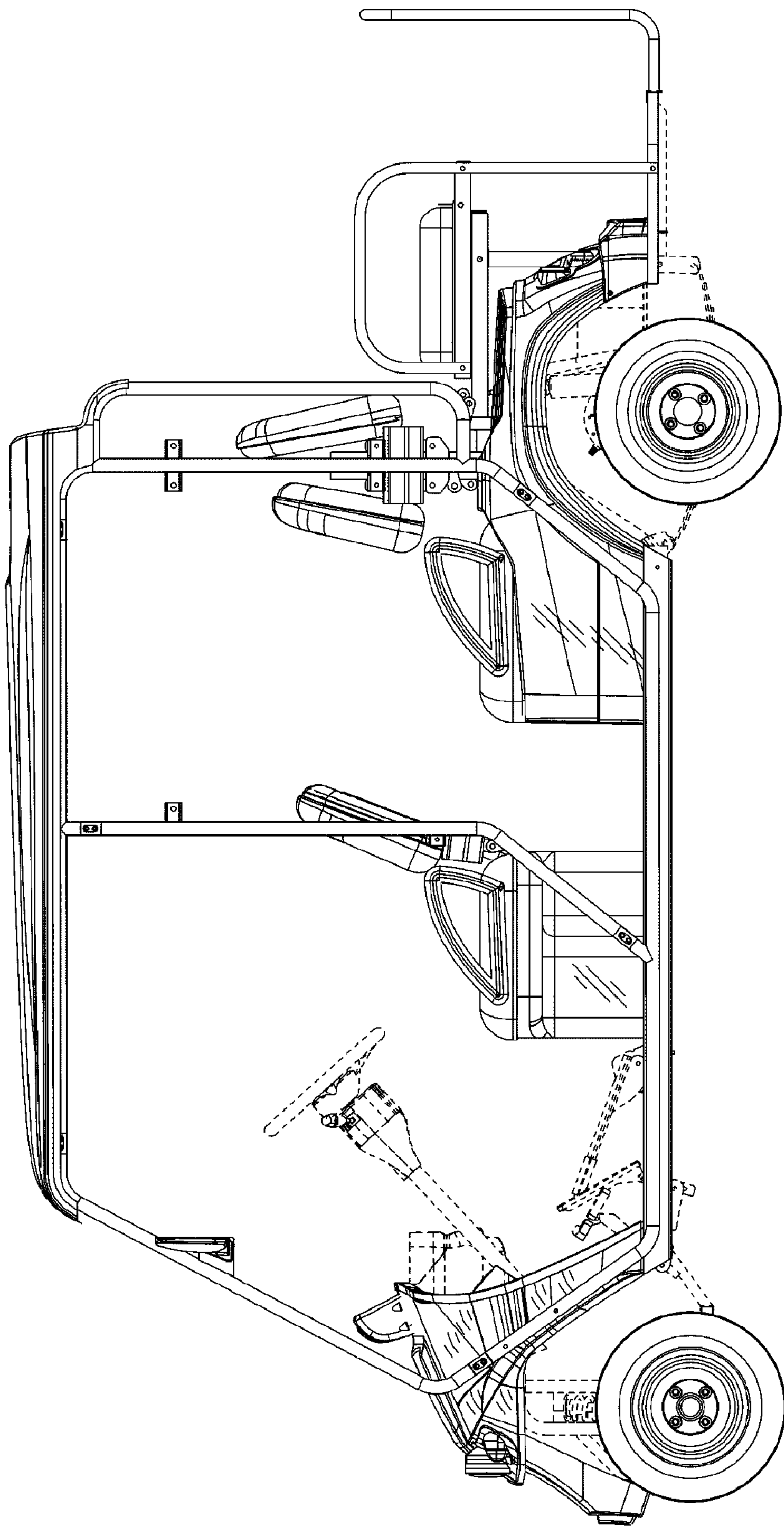


FIG.5

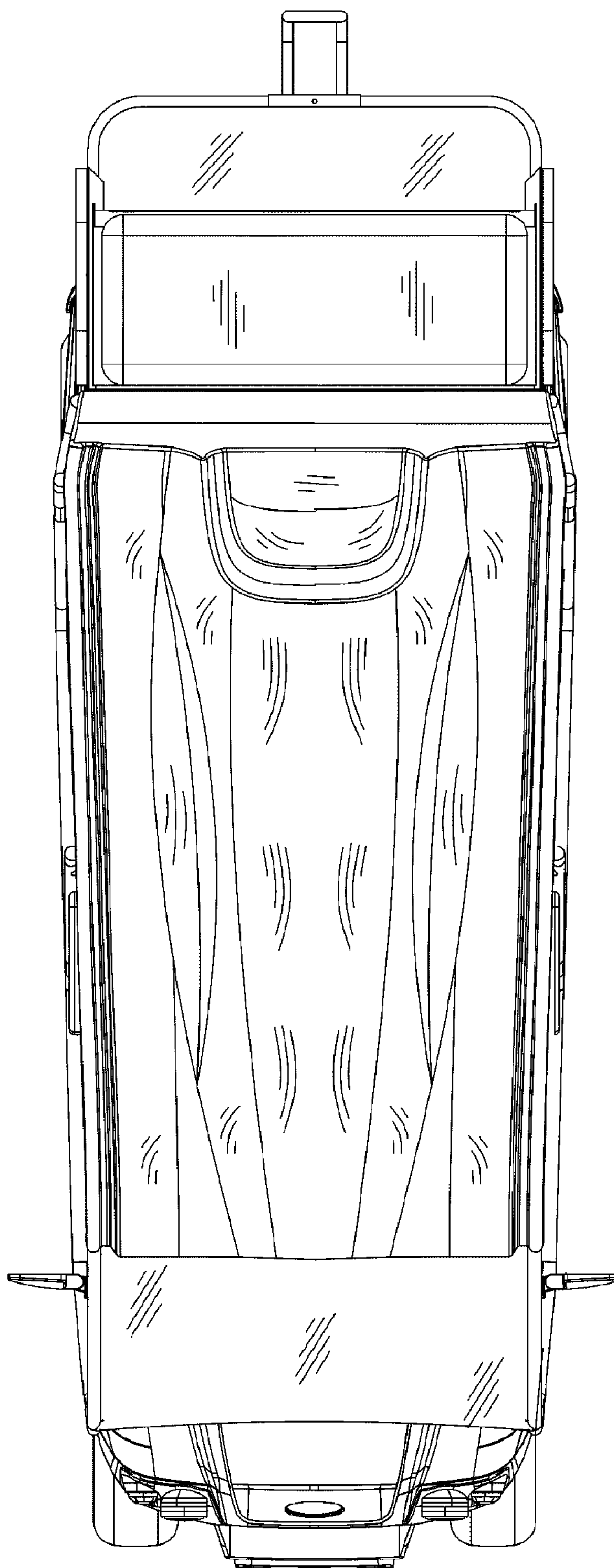


FIG.6



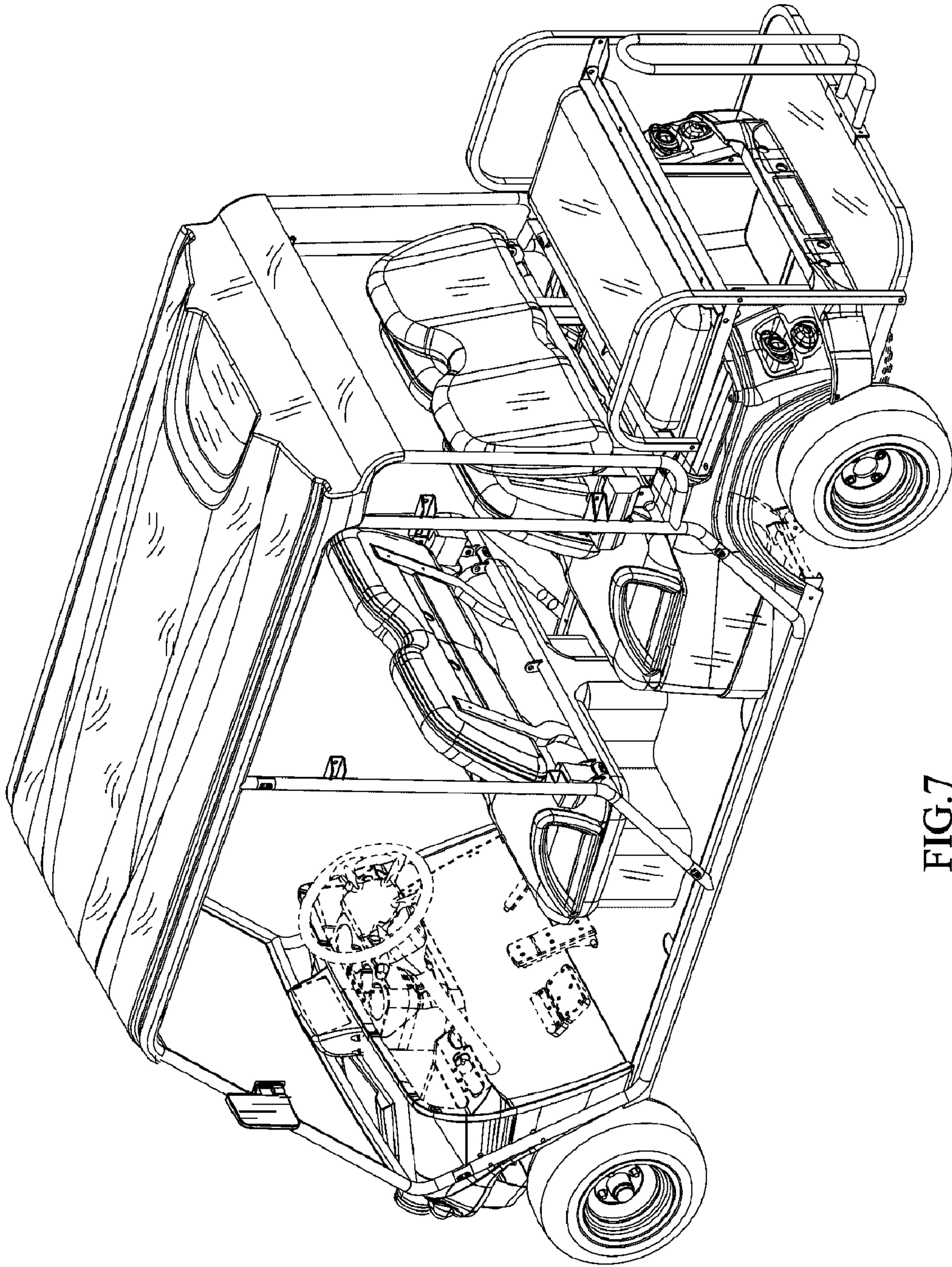


FIG. 7